



US00D398496S

United States Patent [19]

Thomas et al.

[11] Patent Number: Des. 398,496

[45] Date of Patent: **Sep. 22, 1998

[54] SLIDEABLE CRACK REPAIR FIXTURE

[75] Inventors: Jonathan P. Thomas, Maple Lake;
Paul E. Syfko, Woodbury, both of
Minn.

[73] Assignee: TCG International Inc., Burnaby,
Canada

[**] Term: 14 Years

[21] Appl. No.: 60,633

[22] Filed: Oct. 2, 1996

[51] LOC (6) Cl. 08-05

[52] U.S. Cl. D8/51

[58] Field of Search D8/51; 156/94,
156/73.6, 382; 425/12, 13; 269/1, 75; 29/402.18;
65/28

4,775,305	10/1988	Alexander et al. .
4,814,185	3/1989	Jones .
4,820,148	4/1989	Anderson .
4,919,602	4/1990	Janszen 425/12
4,921,411	5/1990	Ottenheimer .
4,954,300	9/1990	Dotson .
4,995,798	2/1991	Ameter .
5,069,836	12/1991	Werner et al. .
5,104,304	4/1992	Dotson .
5,122,042	6/1992	Einiger .
5,234,325	8/1993	Hill .
5,425,827	6/1995	Campfield .
5,429,692	7/1995	Campfield .
5,565,217	10/1996	Beckert et al. .
B1 5,116,441	11/1993	Campfield .

OTHER PUBLICATIONS

Liquid Resins International, Ltd. Catalog, 21 pages, dated Apr. 1, 1992.

The Glass Mechanix® brochure entitled "A Clear Path to Your Future Success," 8 pages, undated.

Primary Examiner—Freda Nunn

Attorney, Agent, or Firm—Merchant, Gould, Smith, Edell, Welter & Schmidt, P.A.

[56] References Cited

U.S. PATENT DOCUMENTS

3,562,366	2/1971	Sohl .
3,765,975	10/1973	Hollingsworth .
3,988,400	10/1976	Luhman, III .
3,993,520	11/1976	Werner et al. .
4,032,272	6/1977	Miller .
4,047,863	9/1977	McCluskey et al. .
4,132,516	1/1979	Story .
4,200,478	4/1980	Jacino et al. .
4,231,494	11/1980	Greenwood .
4,249,869	2/1981	Petersen .
4,280,861	7/1981	Schwartz .
4,291,866	9/1981	Petersen .
4,385,015	5/1983	Klettke .
4,385,879	5/1983	Wilkinson .
4,419,305	12/1983	Matles .
4,569,808	2/1986	Smali .
4,597,727	7/1986	Birkhauser, III .
4,622,085	11/1986	Yamada et al. .
4,681,520	7/1987	Birkhauser, III .
4,744,841	5/1988	Thomas .

[57] CLAIM

The ornamental design for a slideable crack repair fixture, as shown and described.

DESCRIPTION

FIG. 1 is a perspective view of a slidable crack repair fixture showing our new design with an injector shown mounted to the fixture in broken lines for illustrative purposes only and forms no part of the claimed design; FIG. 2 is a front end elevational view thereof; FIG. 3 is a rear end elevational view thereof; FIG. 4 is a right side elevational view thereof; FIG. 5 is a left side elevational view thereof; FIG. 6 is a top plan view thereof; and, FIG. 7 is a bottom plan view thereof.

1 Claim, 3 Drawing Sheets

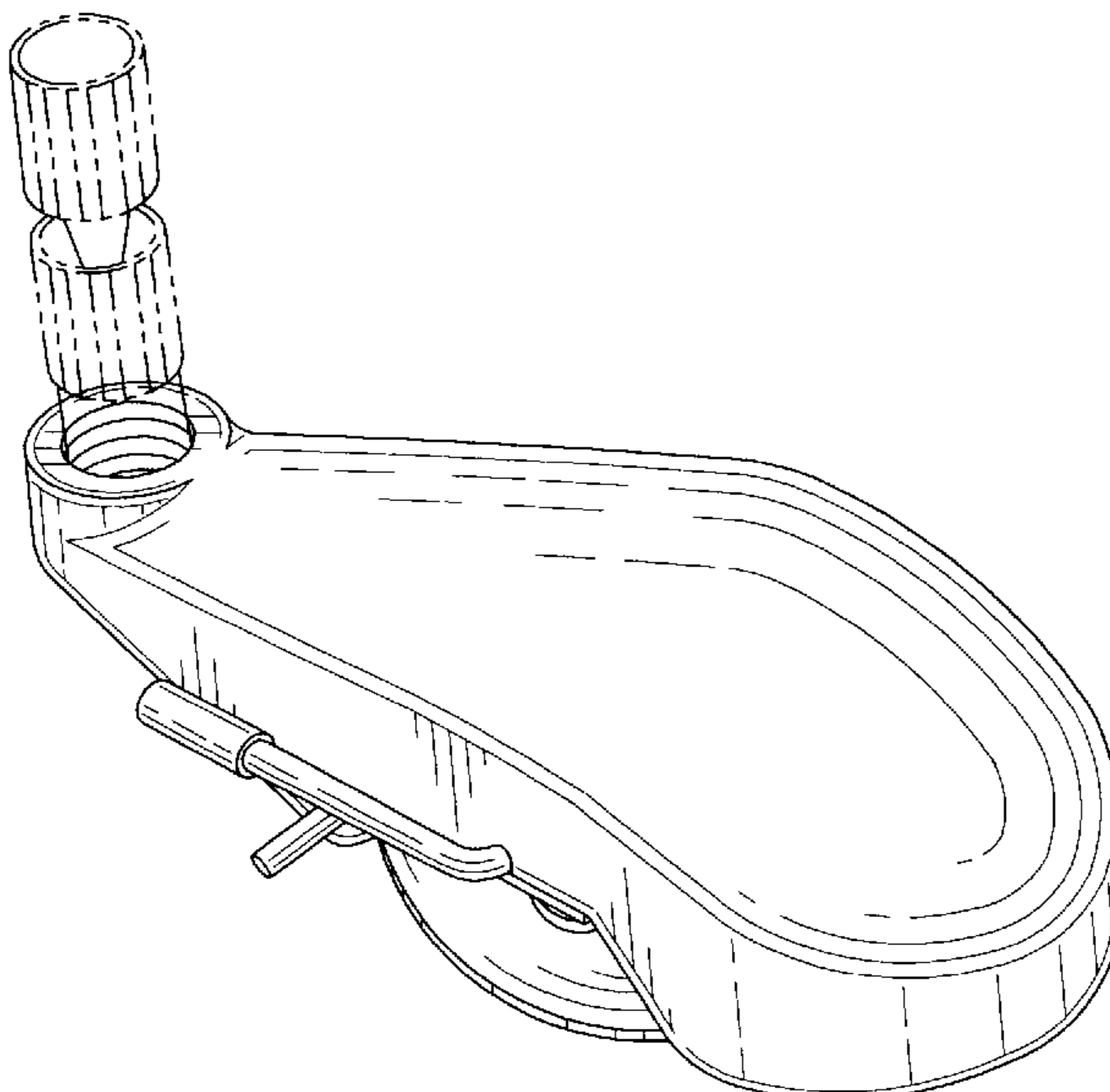


FIG. 1

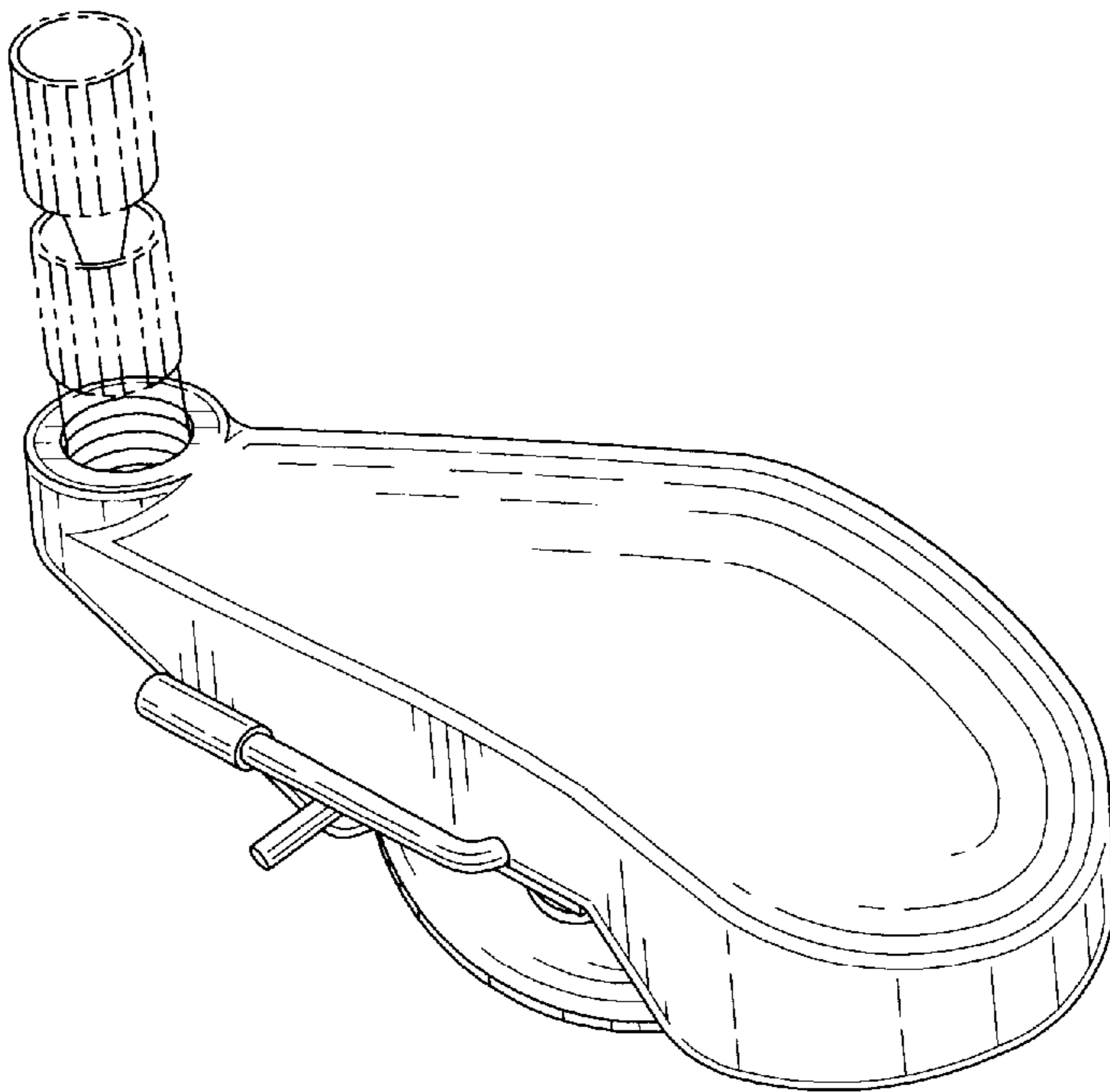


FIG. 2

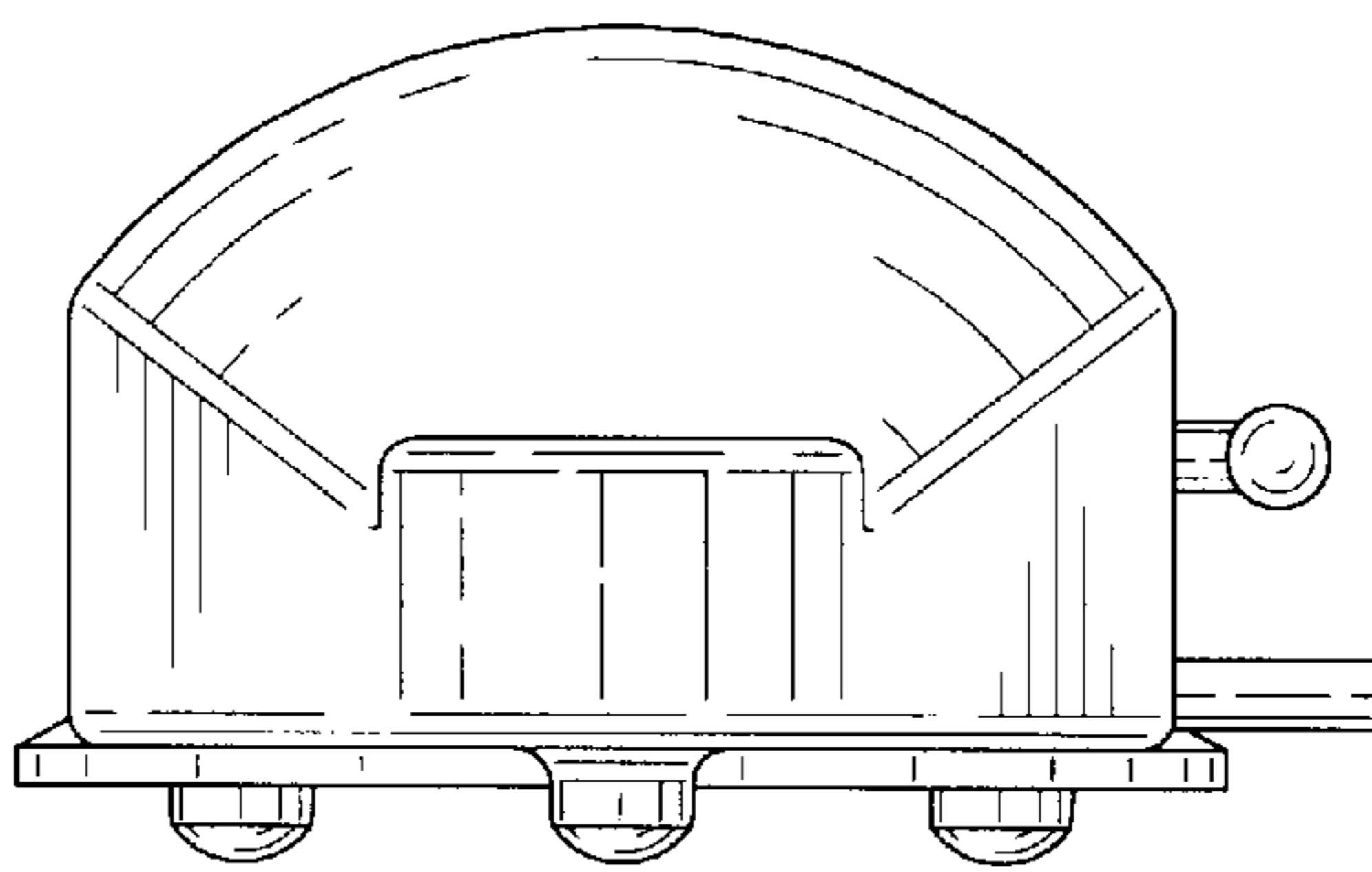
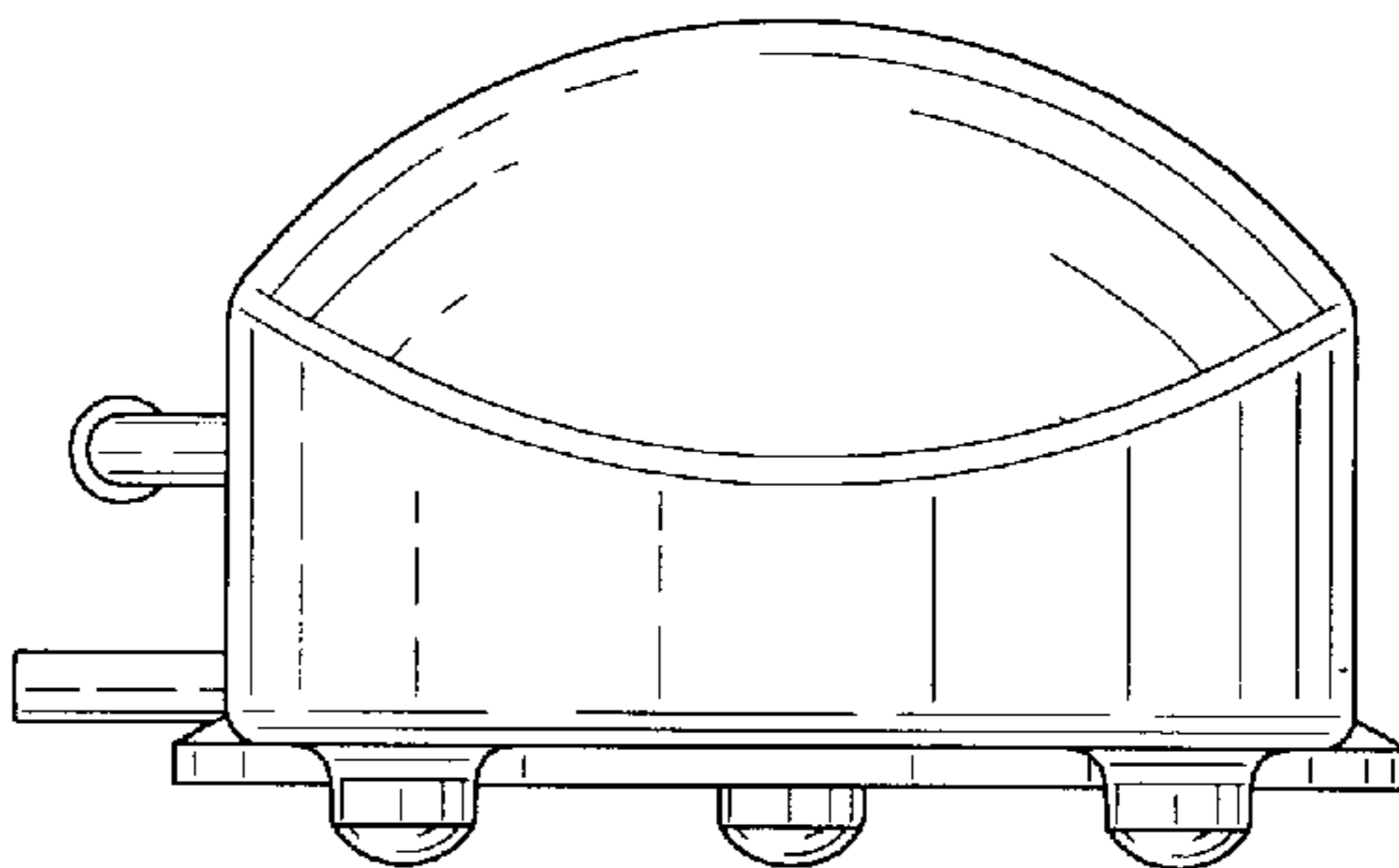


FIG. 3



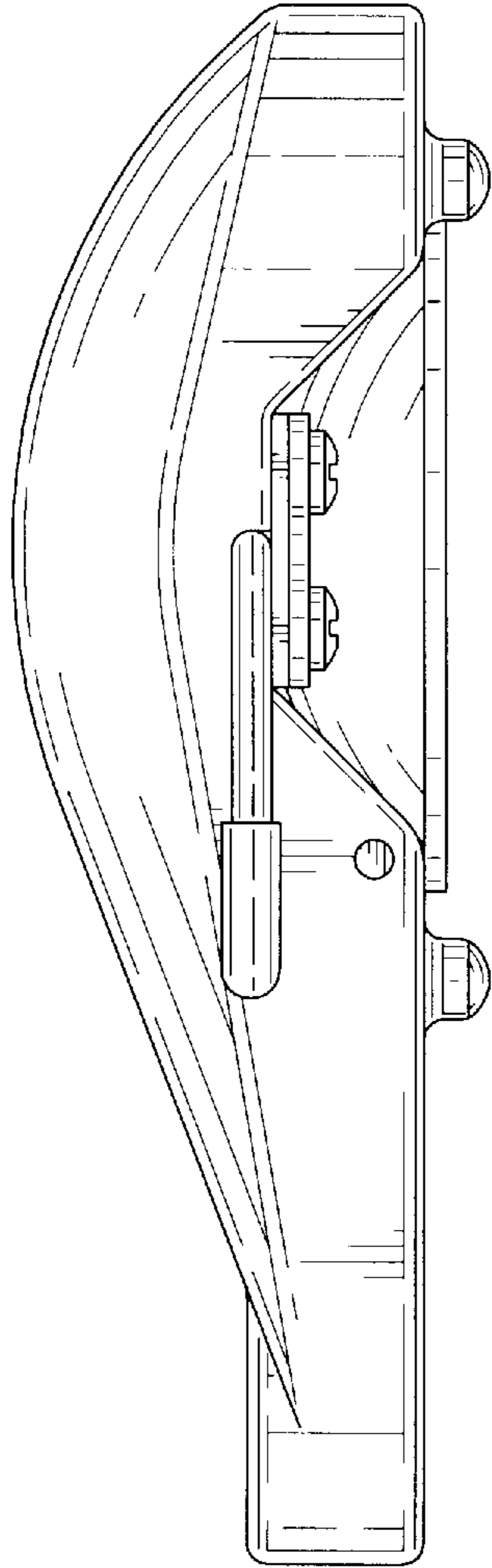


FIG. 4

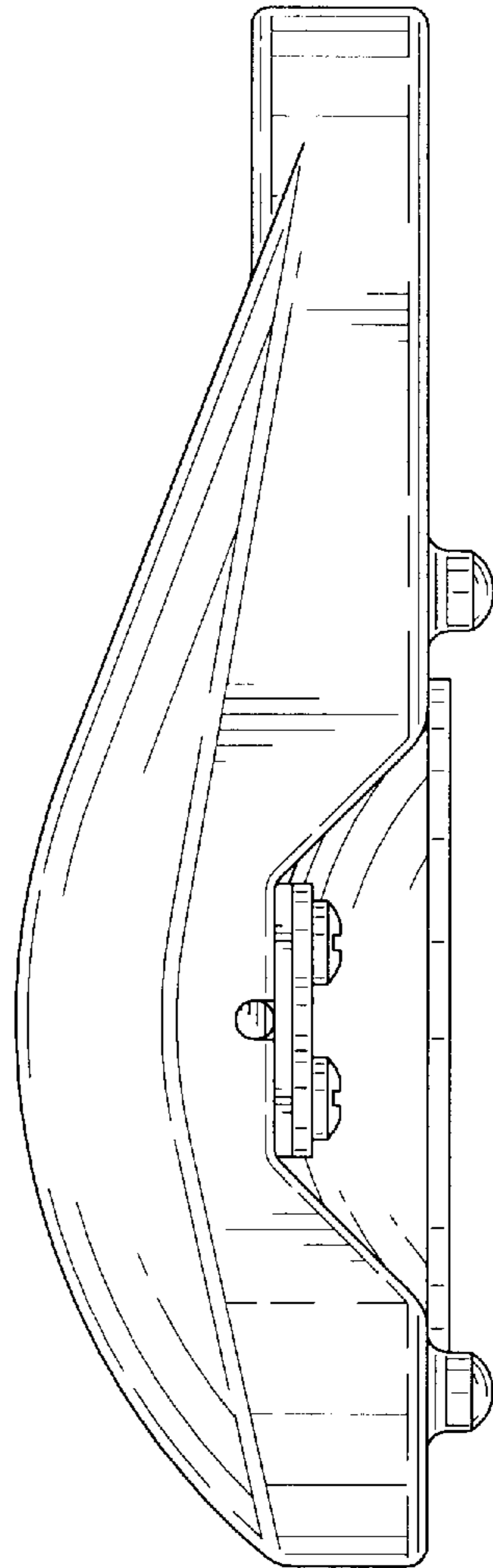


FIG. 5

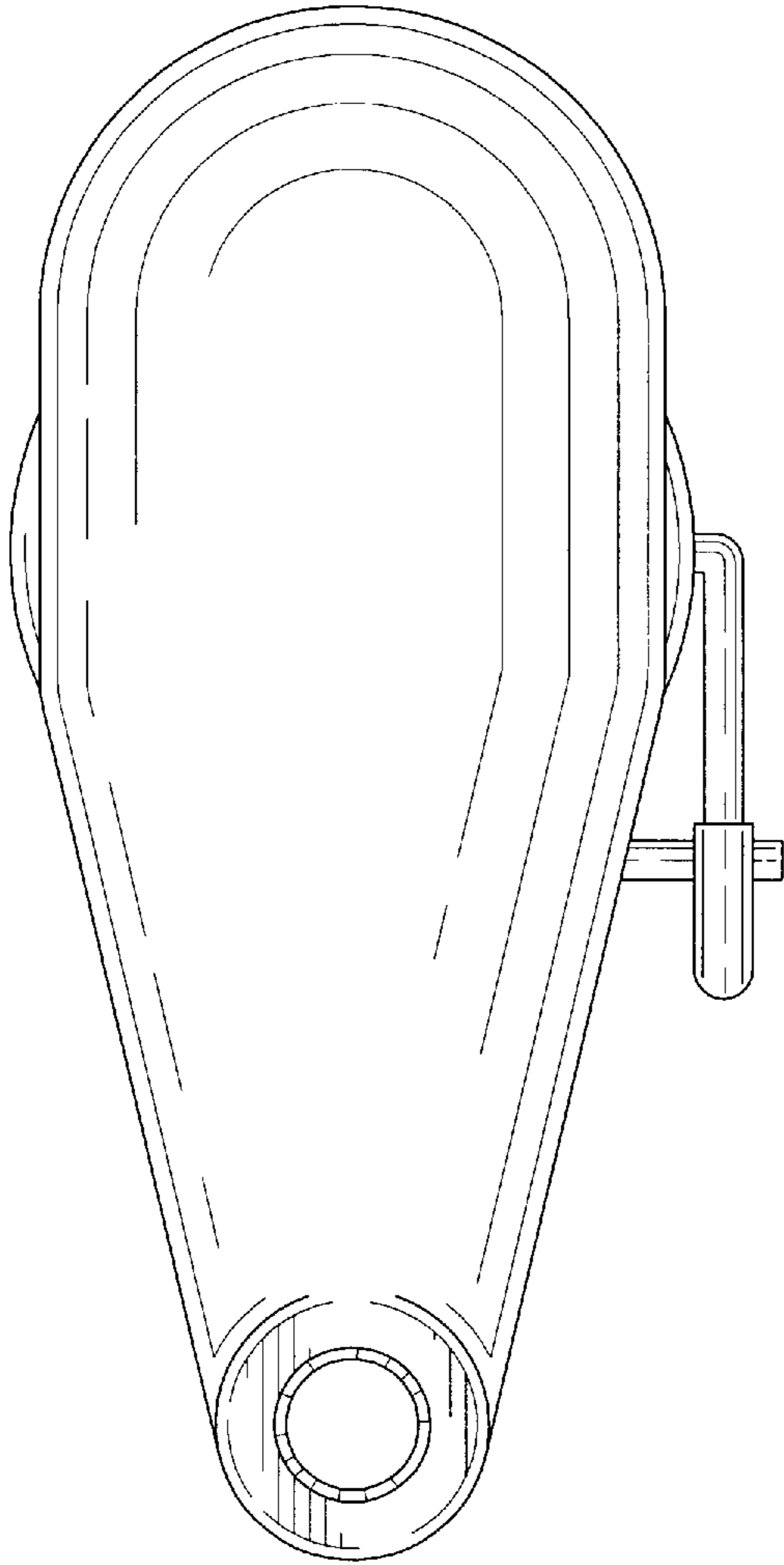


FIG. 6

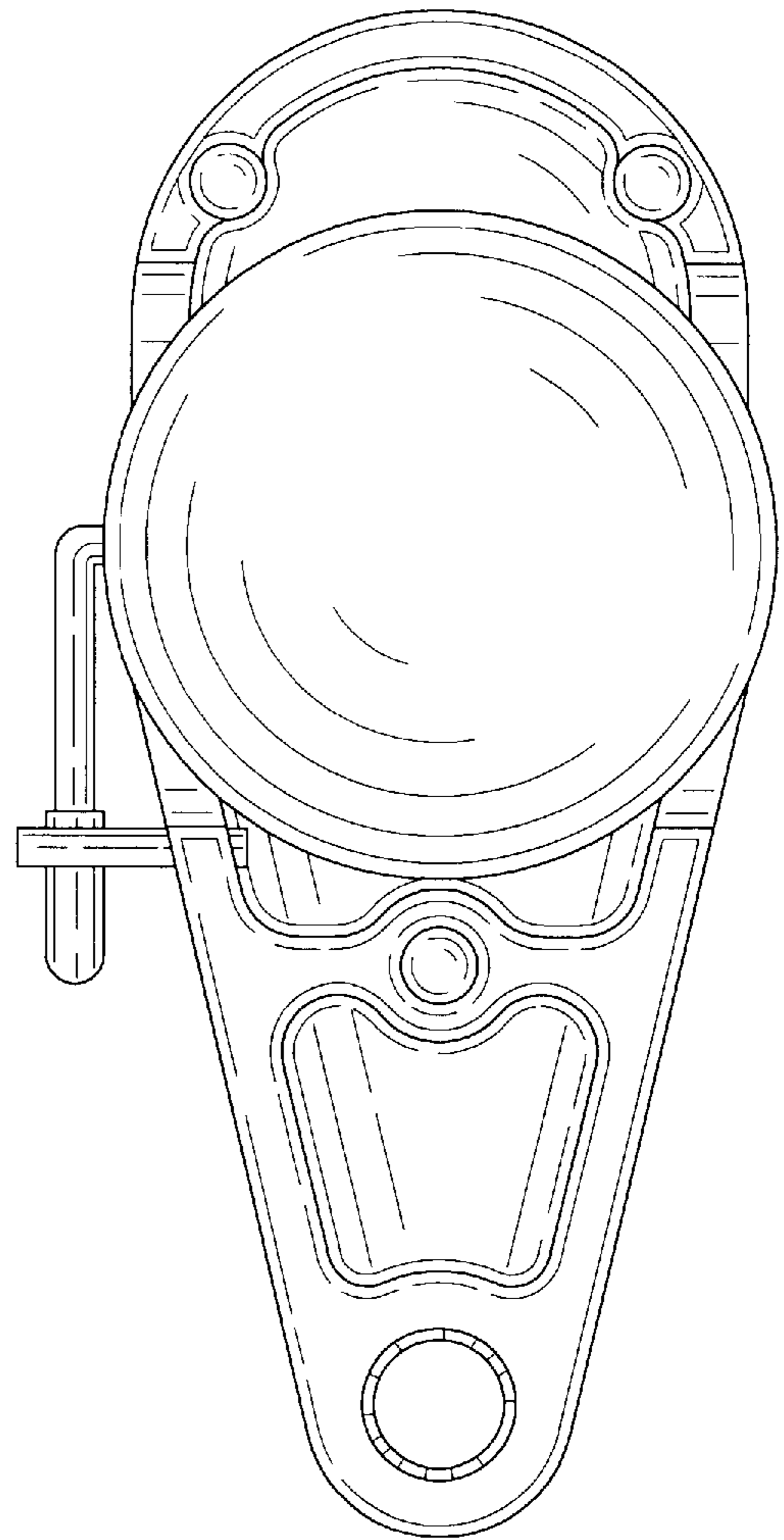


FIG. 7