



US00D398495S

# United States Patent [19] Thomas

[11] **Patent Number: Des. 398,495**

[45] **Date of Patent: \*\*Sep. 22, 1998**

[54] **WINDSHIELD CRACK SPREADER BAR**

B1 5,116,441 11/1993 Campfield, Jr. .... 156/94

[75] Inventor: **Jonathan P. Thomas**, Maple Lake, Minn.

### OTHER PUBLICATIONS

Liquid Resins International, Ltd. Catalog, 21 pages, dated Apr. 1, 1992.

[73] Assignee: **TCG International Inc.**, Burnaby, Canada

The Glass Mechanix® brochure entitled "A Clear Path to Your Future Success," 8 pages, undated.

[\*\*] Term: **14 Years**

Photographs of a Novus crack spreader bar, undated.

[21] Appl. No.: **60,616**

*Primary Examiner*—Freda Nunn

[22] Filed: **Oct. 2, 1996**

*Attorney, Agent, or Firm*—Merchant, Gould, Smith, Edell, Welter & Schmidt, P.A.

[51] **LOC (6) Cl.** ..... **08-05**

### [57] CLAIM

[52] **U.S. Cl.** ..... **D8/51**

The ornamental design for a windshield crack spreader bar, as shown and described.

[58] **Field of Search** ..... D8/51; 156/94, 156/382, 73.6; 264/36; 425/12, 13; 269/1, 75; 29/402.18; 65/28

### DESCRIPTION

### [56] References Cited

#### U.S. PATENT DOCUMENTS

D. 332,380	1/1993	Campfield, Jr.	.....	D8/51
D. 336,227	6/1993	Campfield, Jr.	.....	D8/51
D. 337,929	8/1993	Campfield, Jr.	.....	D8/51
D. 350,684	9/1994	Campfield	.....	D8/51
5,425,827	6/1995	Campfield	.....	156/94
5,429,692	7/1995	Campfield	.....	156/94

FIG. 1 is a perspective view of a windshield crack spreader bar showing my new design;

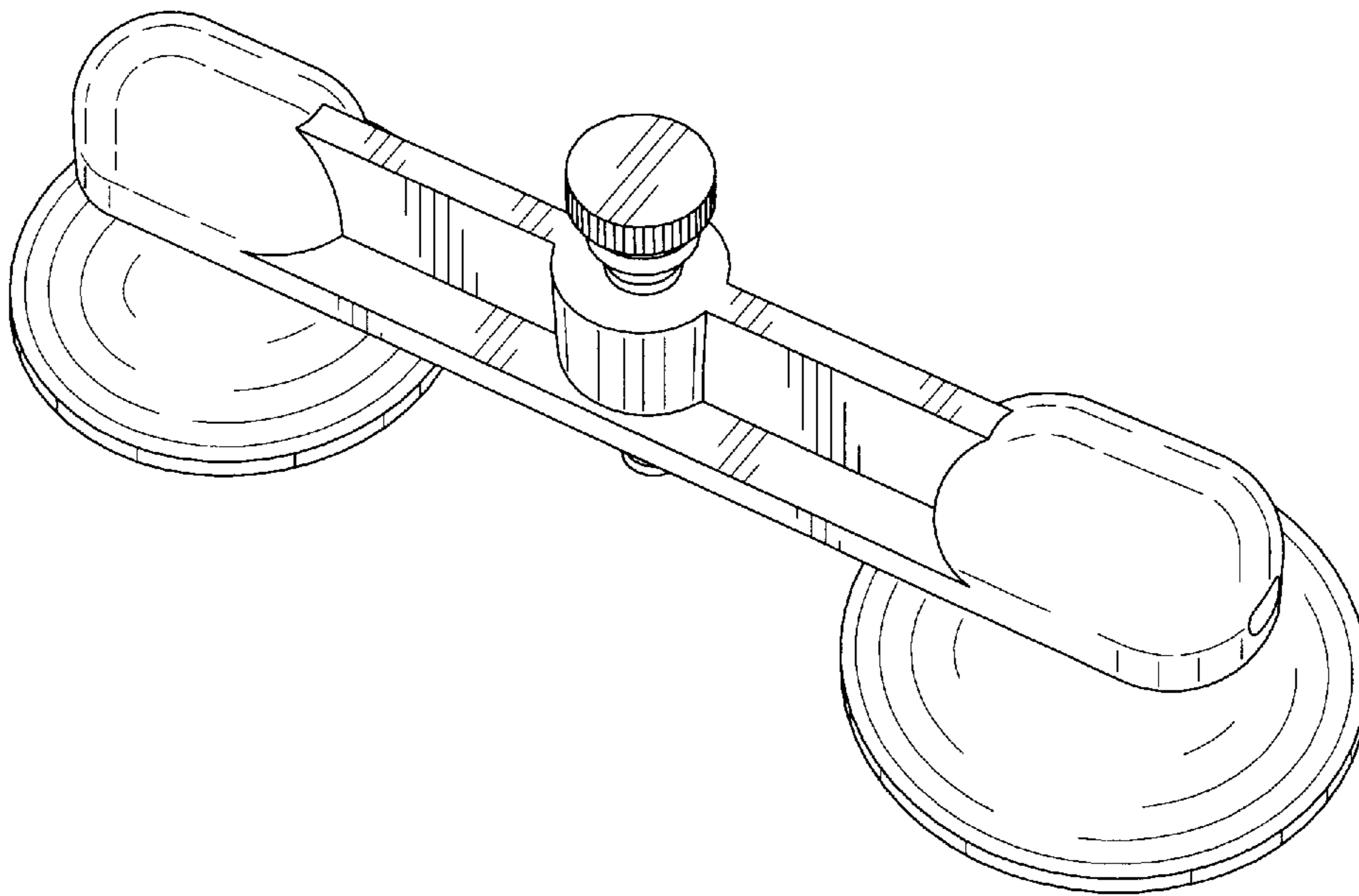
FIG. 2 is an end elevational view thereof, an opposite end being identical thereto;

FIG. 3 is a top plan view thereof;

FIG. 4 is a bottom plan view thereof; and,

FIG. 5 is a side elevational view thereof, an opposite side being identical thereto.

**1 Claim, 3 Drawing Sheets**



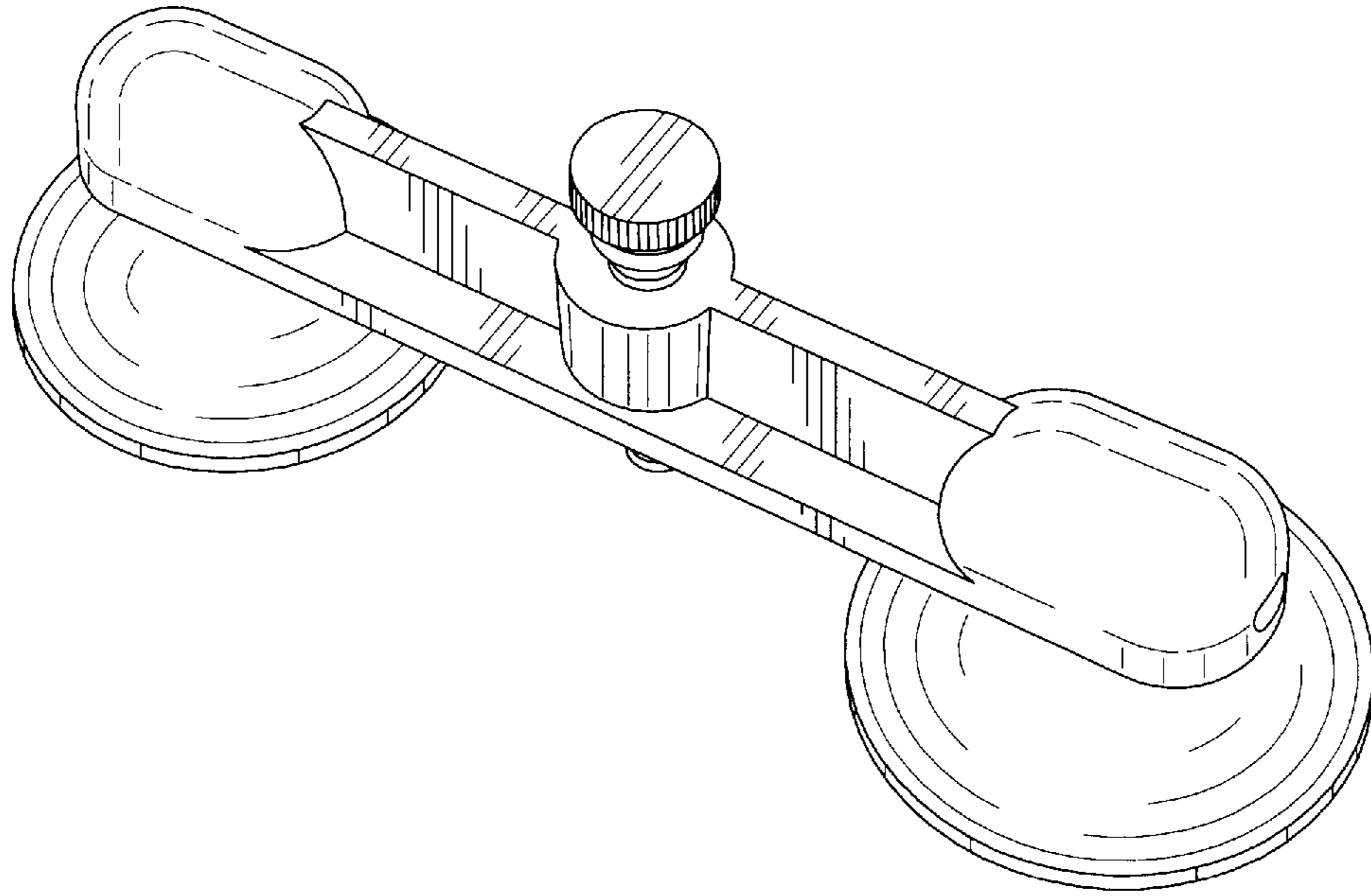


FIG. 1

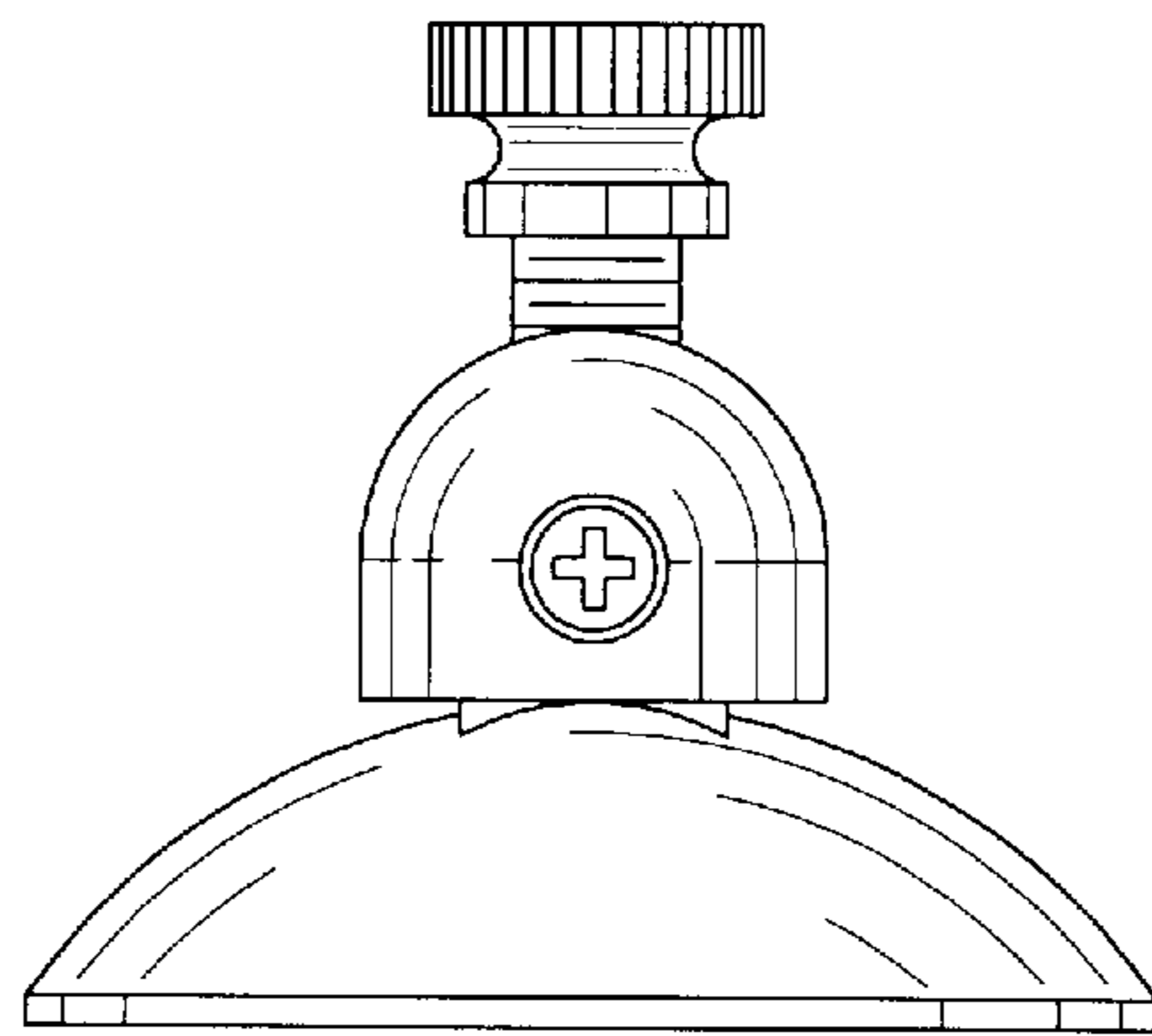


FIG. 2

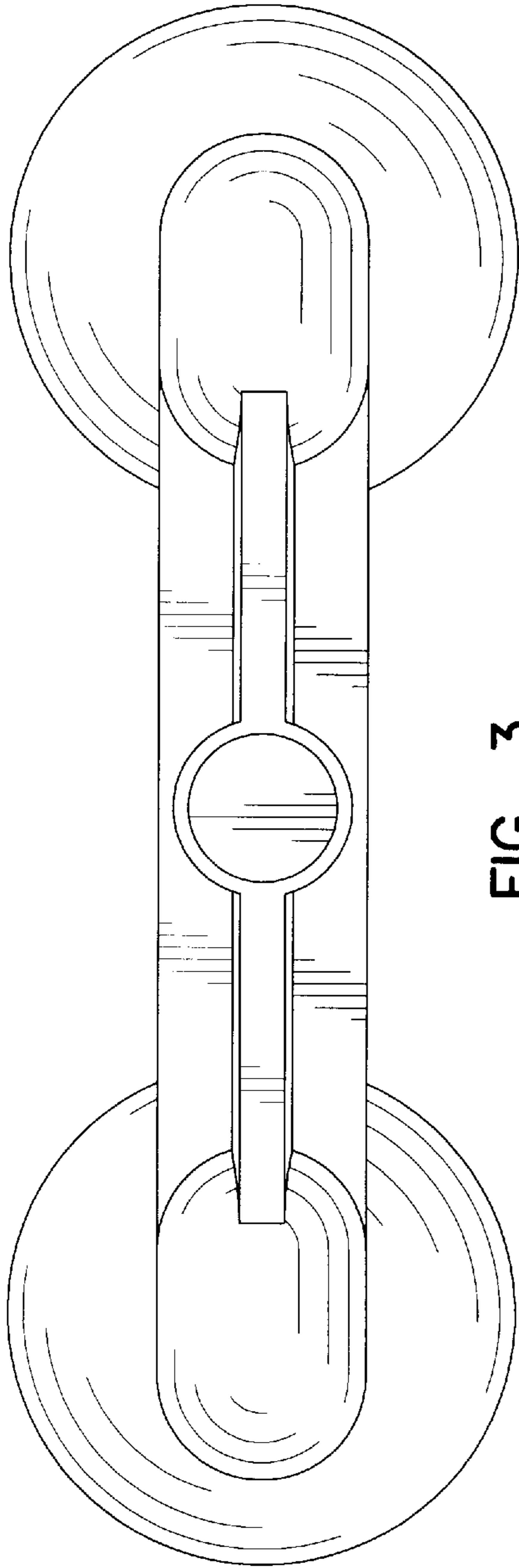


FIG. 3

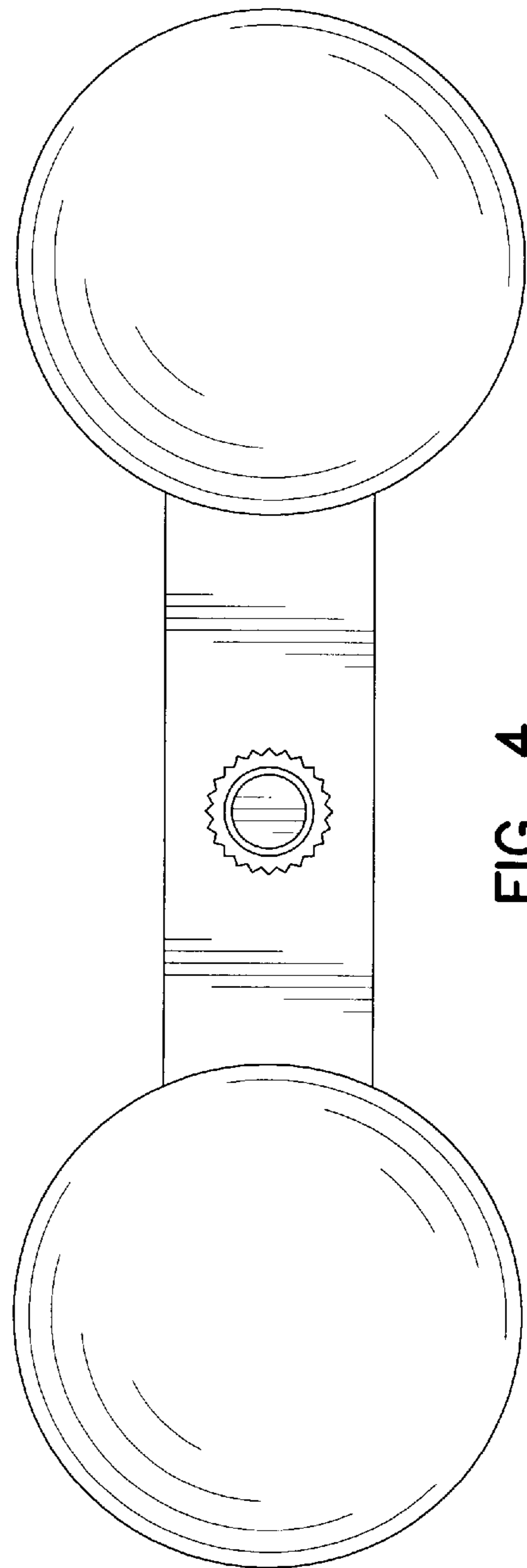


FIG. 4

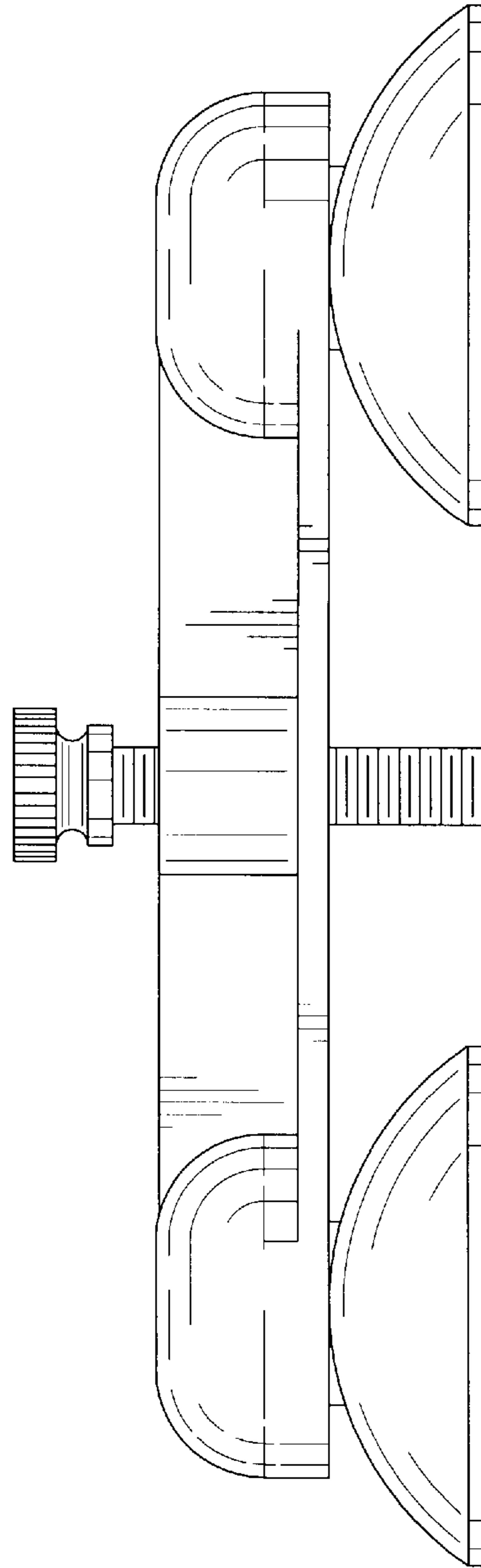


FIG. 5