



US00D398493S

United States Patent [19] Jones

[11] **Patent Number: Des. 398,493**

[45] **Date of Patent: **Sep. 22, 1998**

[54] **FINGER WRENCH**

5,297,458 3/1994 Smith et al. 81/124.3

[76] Inventor: **David Jones**, 486 Chamberlin St., East Meadow, N.Y. 11554

Primary Examiner—Ted Shooman
Assistant Examiner—Richelle Shelton

[**] Term: **14 Years**

[57] **CLAIM**

[21] Appl. No.: **77,128**

The ornamental design for a finger wrench, as shown and described.

[22] Filed: **Sep. 29, 1997**

DESCRIPTION

[51] **LOC (6) Cl.** **08-05**

[52] **U.S. Cl.** **D8/21; D8/29**

[58] **Field of Search** D8/21-29; 81/119, 81/121.1, 124.3, 124.7, 125, 185, 3.4

FIG. 1 is a front elevational view of the finger wrench showing my new design;

FIG. 2 is a rear elevational view thereof;

FIG. 3 is a sectional view taken vertically through the mid-plane of the device at line 3—3 of FIG. 2;

FIG. 4 is a left side view thereof;

FIG. 5 is a top plan view thereof;

FIG. 6 is a bottom plan view thereof;

FIG. 7 is a front, bottom and right side perspective view thereof; and,

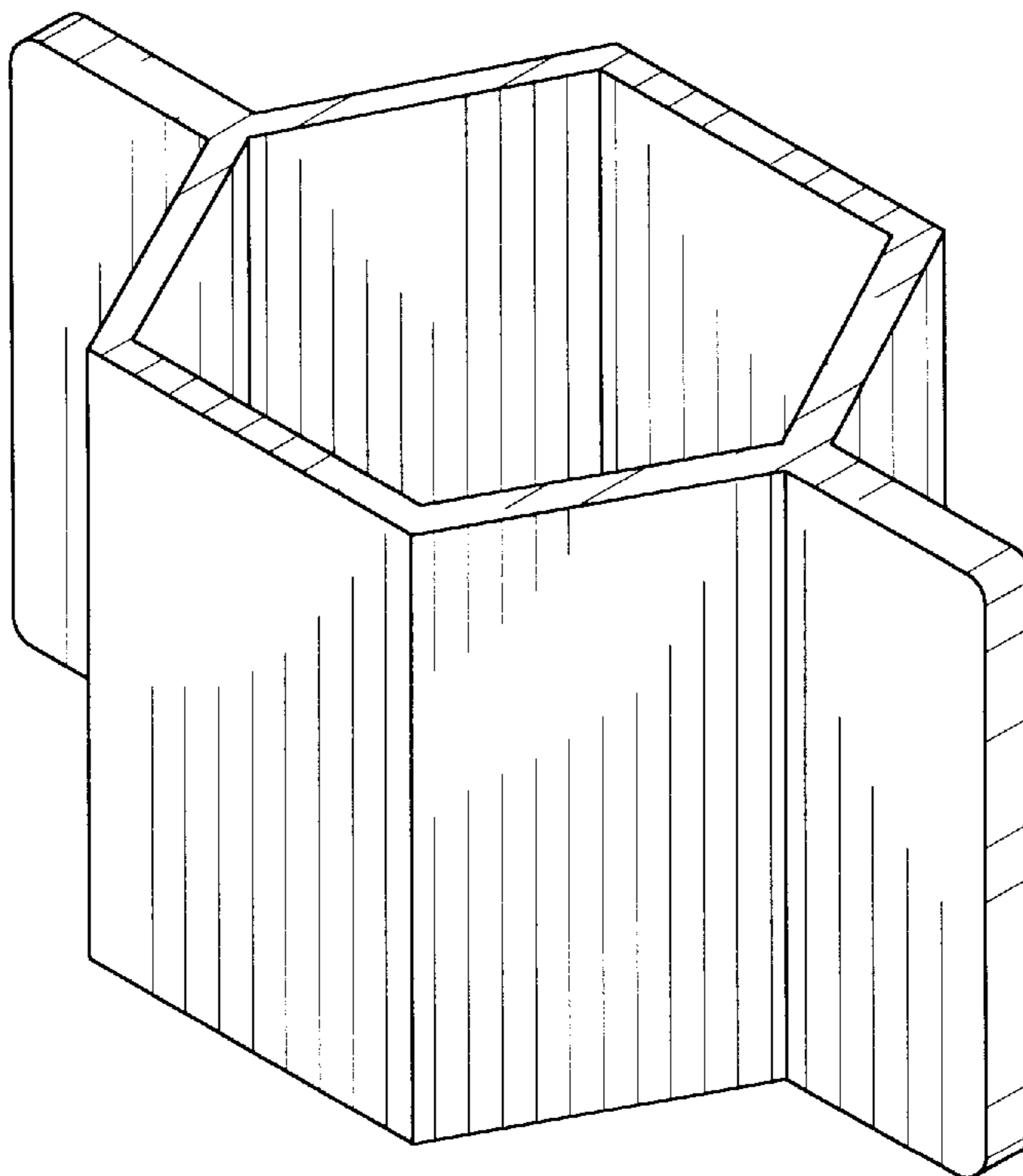
FIG. 8 is a rear, bottom and right side perspective view thereof.

[56] **References Cited**

U.S. PATENT DOCUMENTS

D. 212,171	9/1968	Alves	D8/21
920,717	5/1909	Bellows	81/124.3
1,524,869	2/1925	Kraft	81/124.7
2,966,083	12/1960	Cheney	81/124.3
3,027,790	4/1962	Wagner	81/185
3,916,736	11/1975	Clemens	81/185
4,979,355	12/1990	Ulevich	81/185

1 Claim, 3 Drawing Sheets



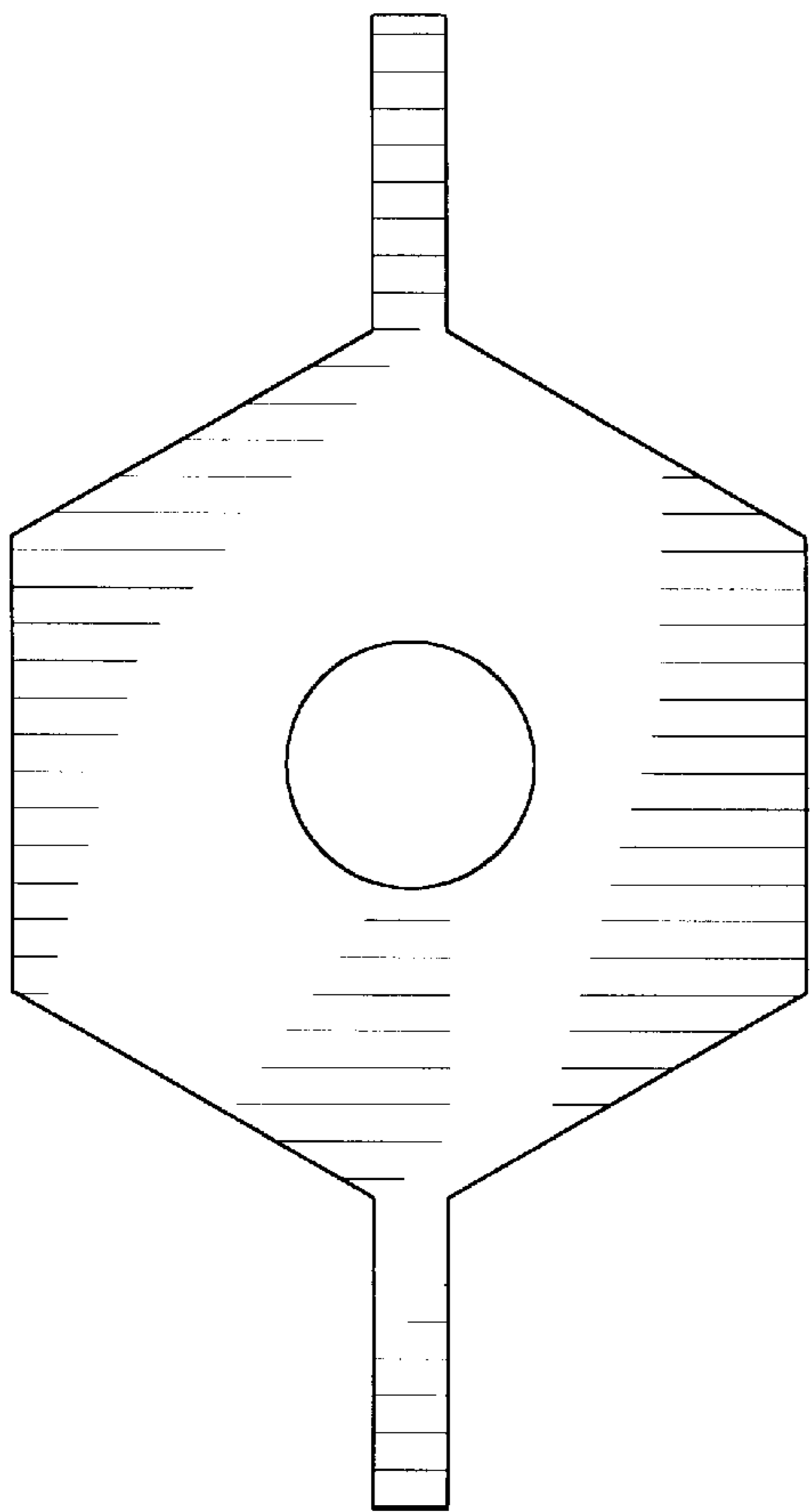


Fig.1

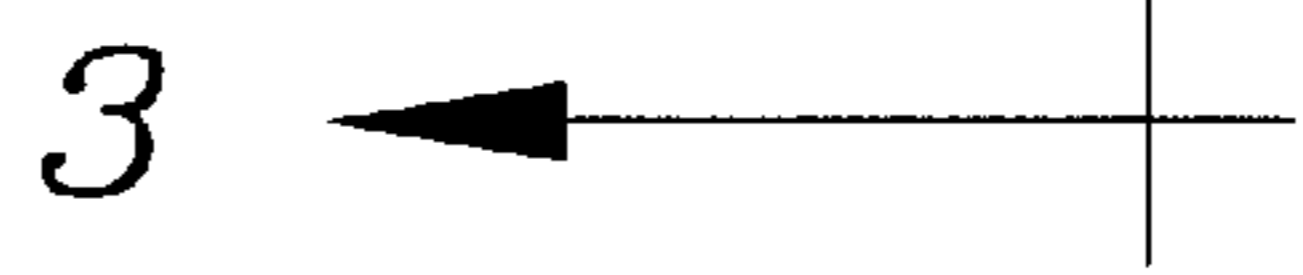
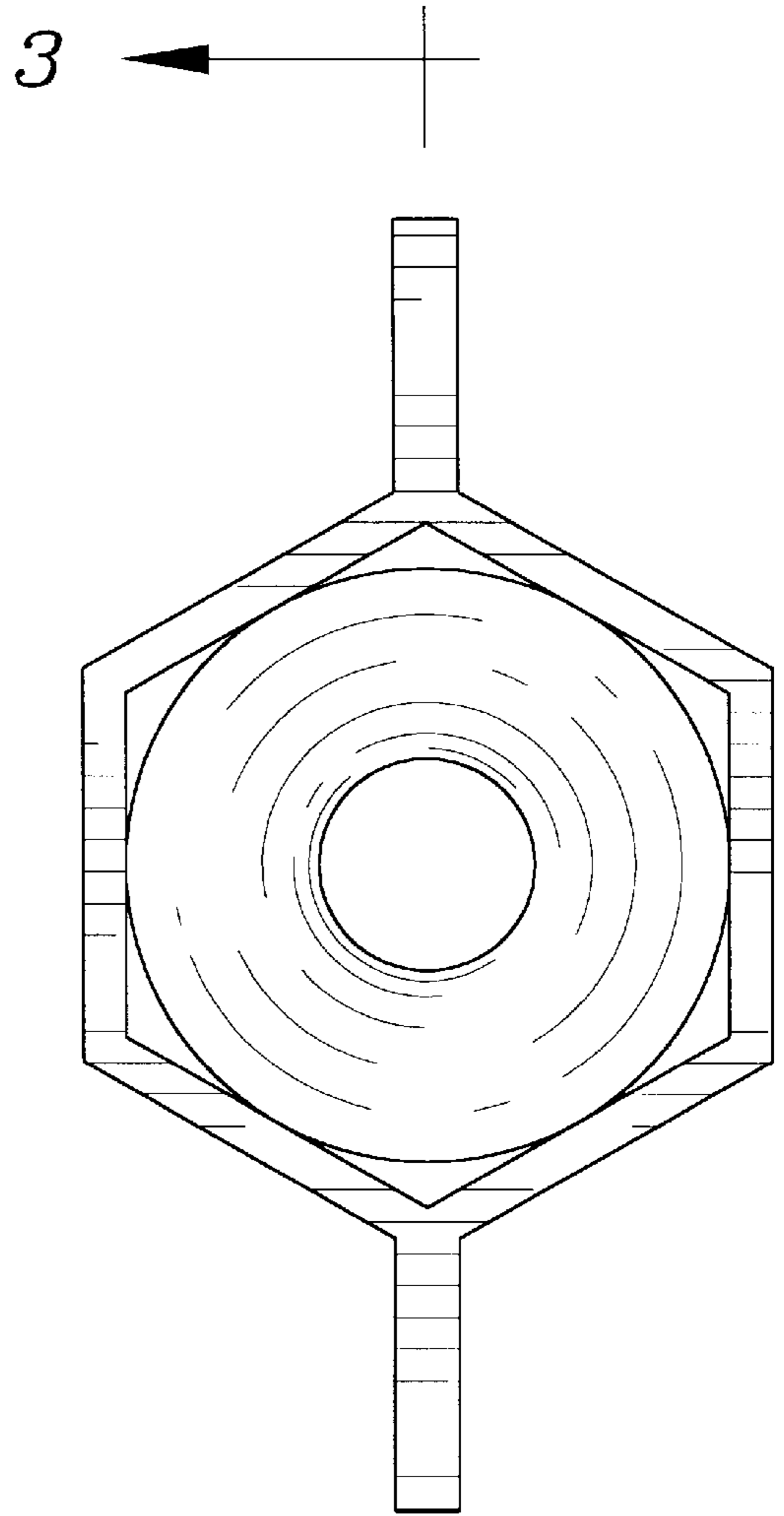


Fig.2

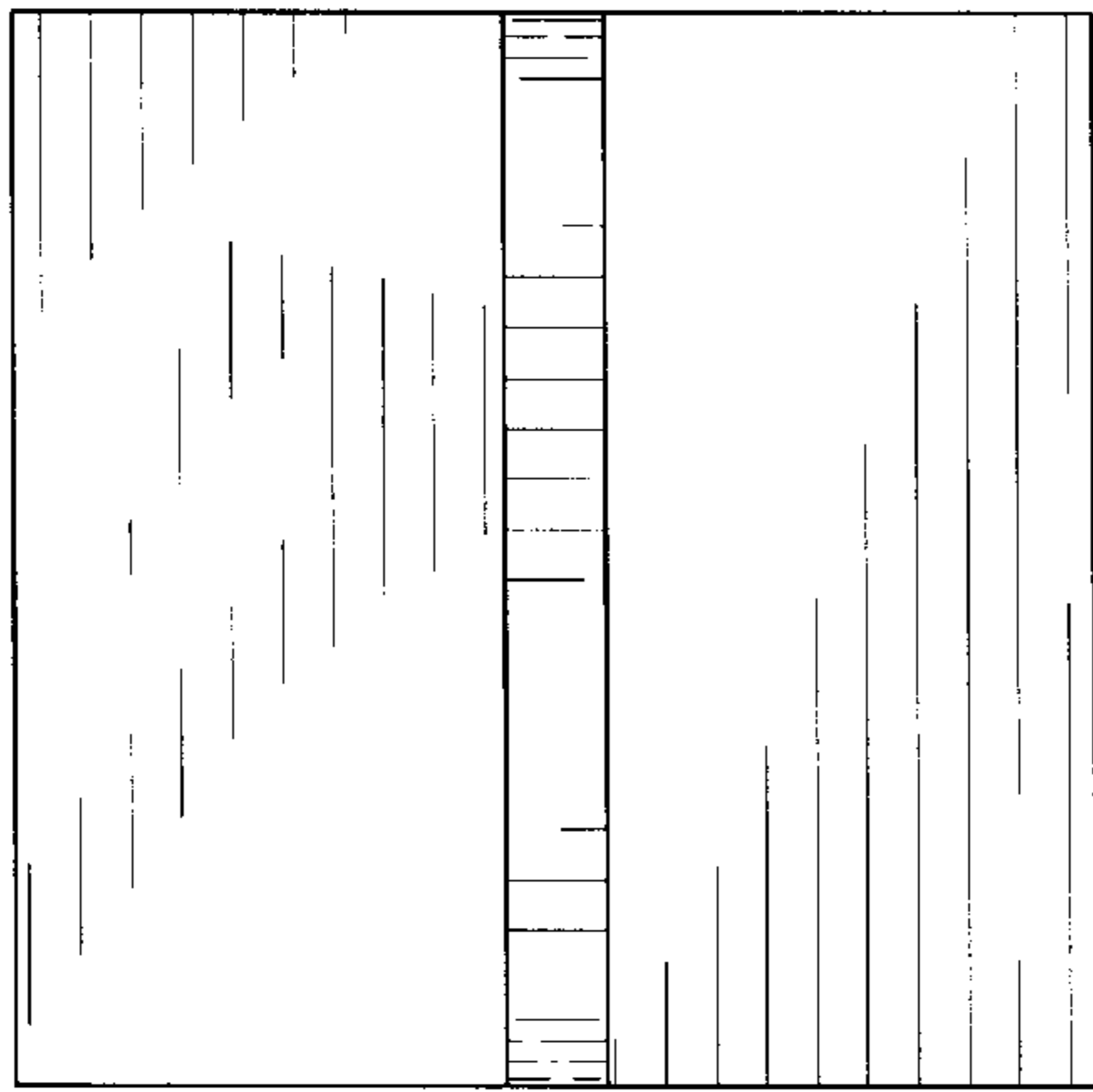


Fig. 6

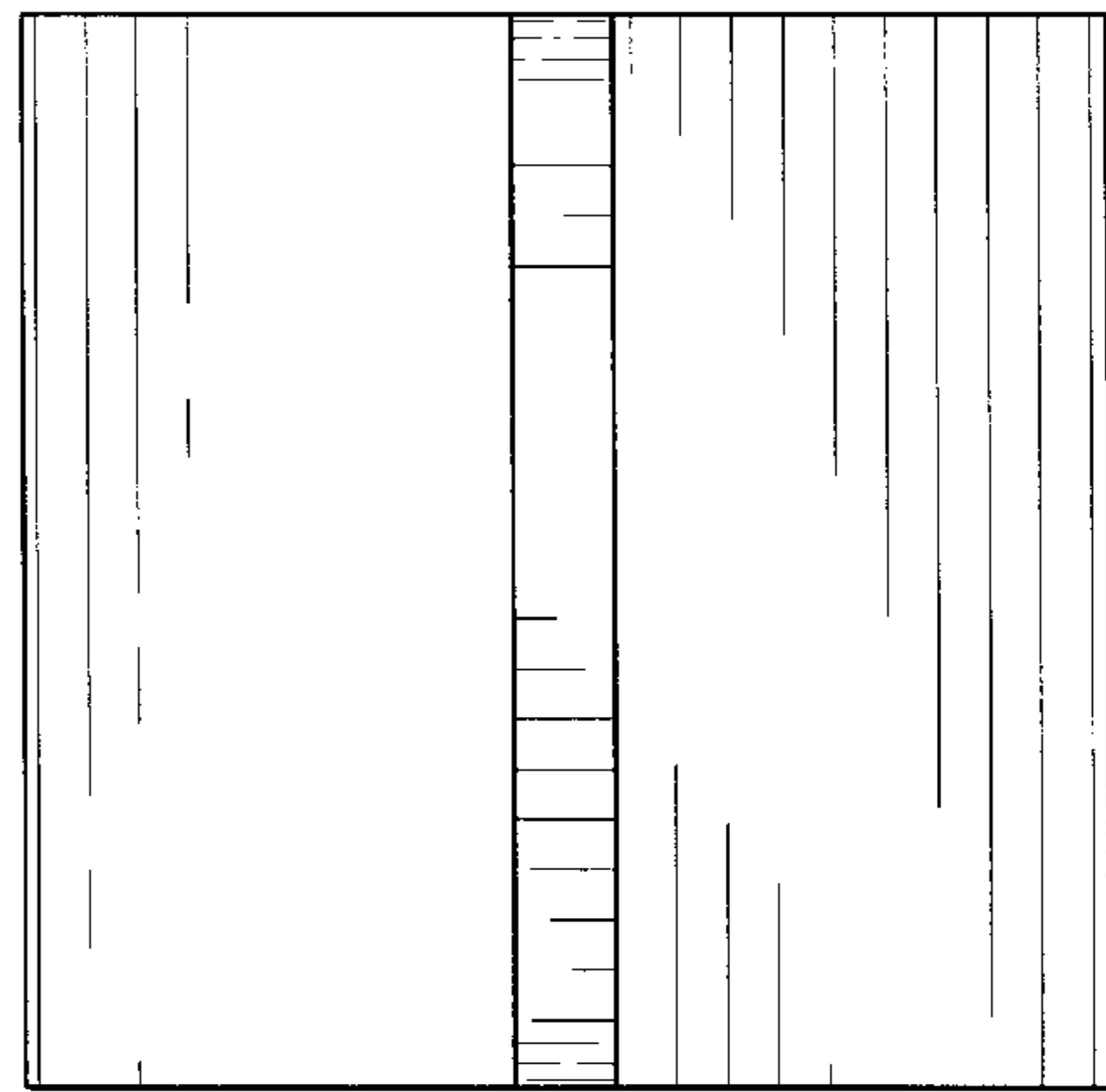


Fig. 5

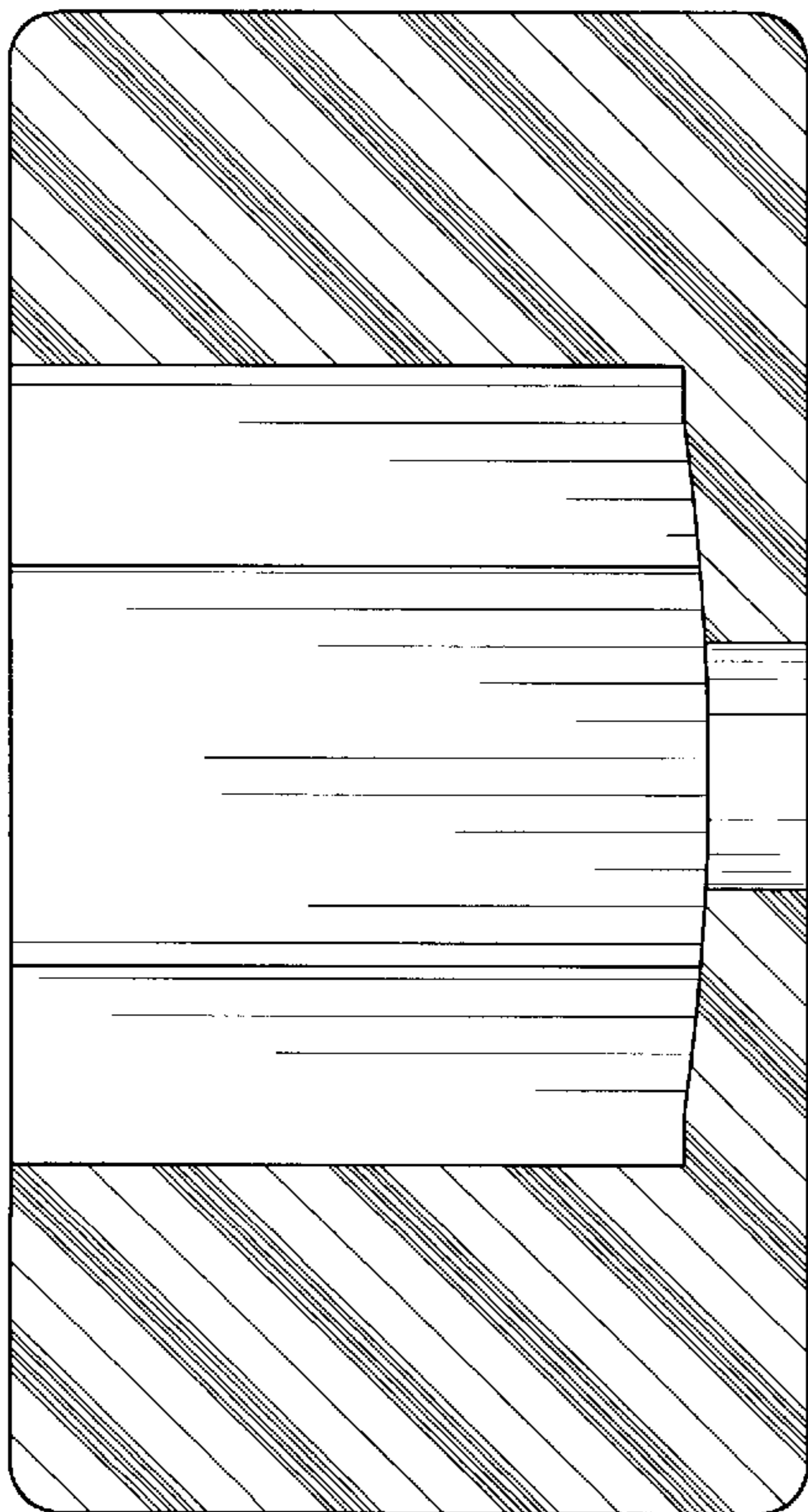


Fig. 3

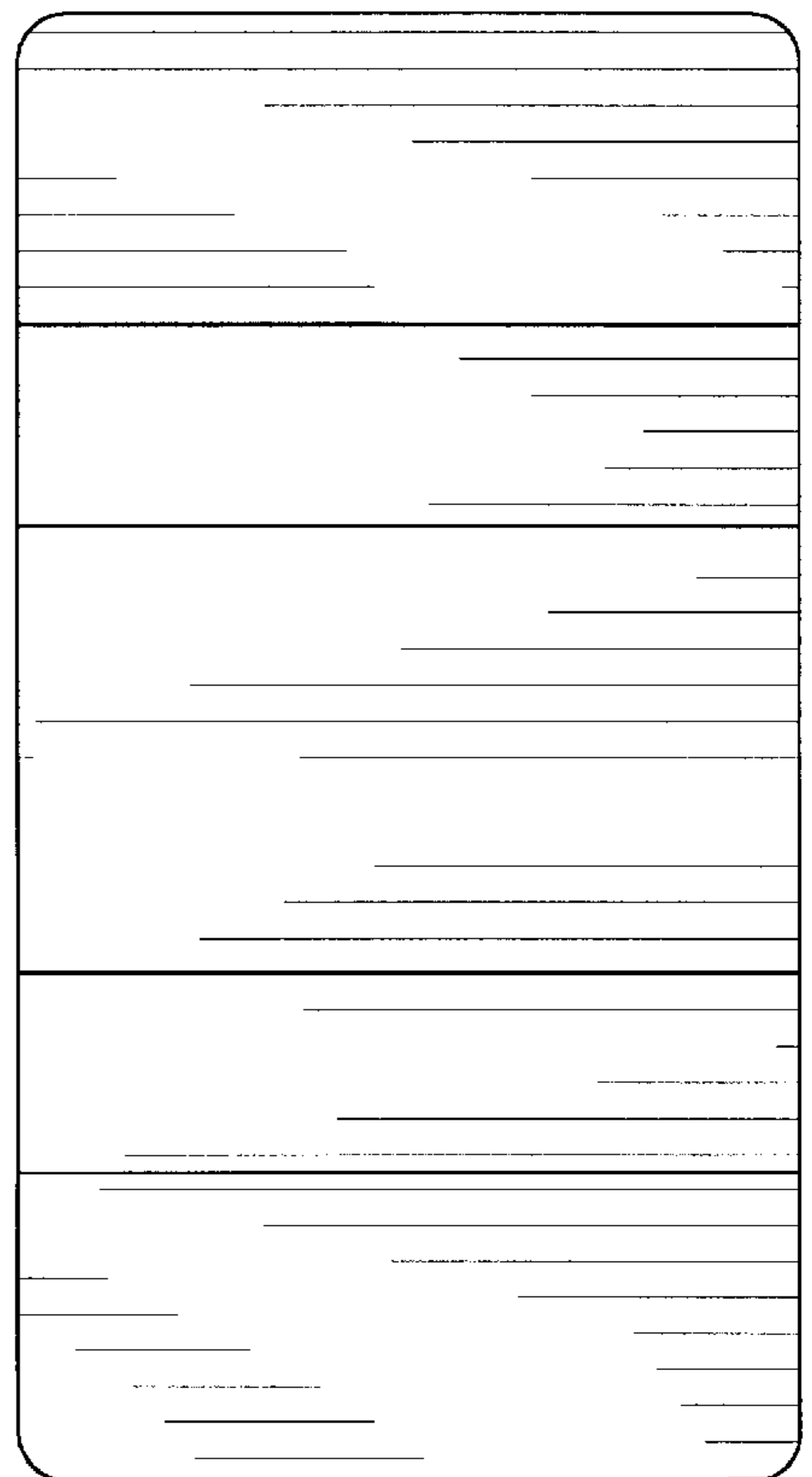


Fig. 4

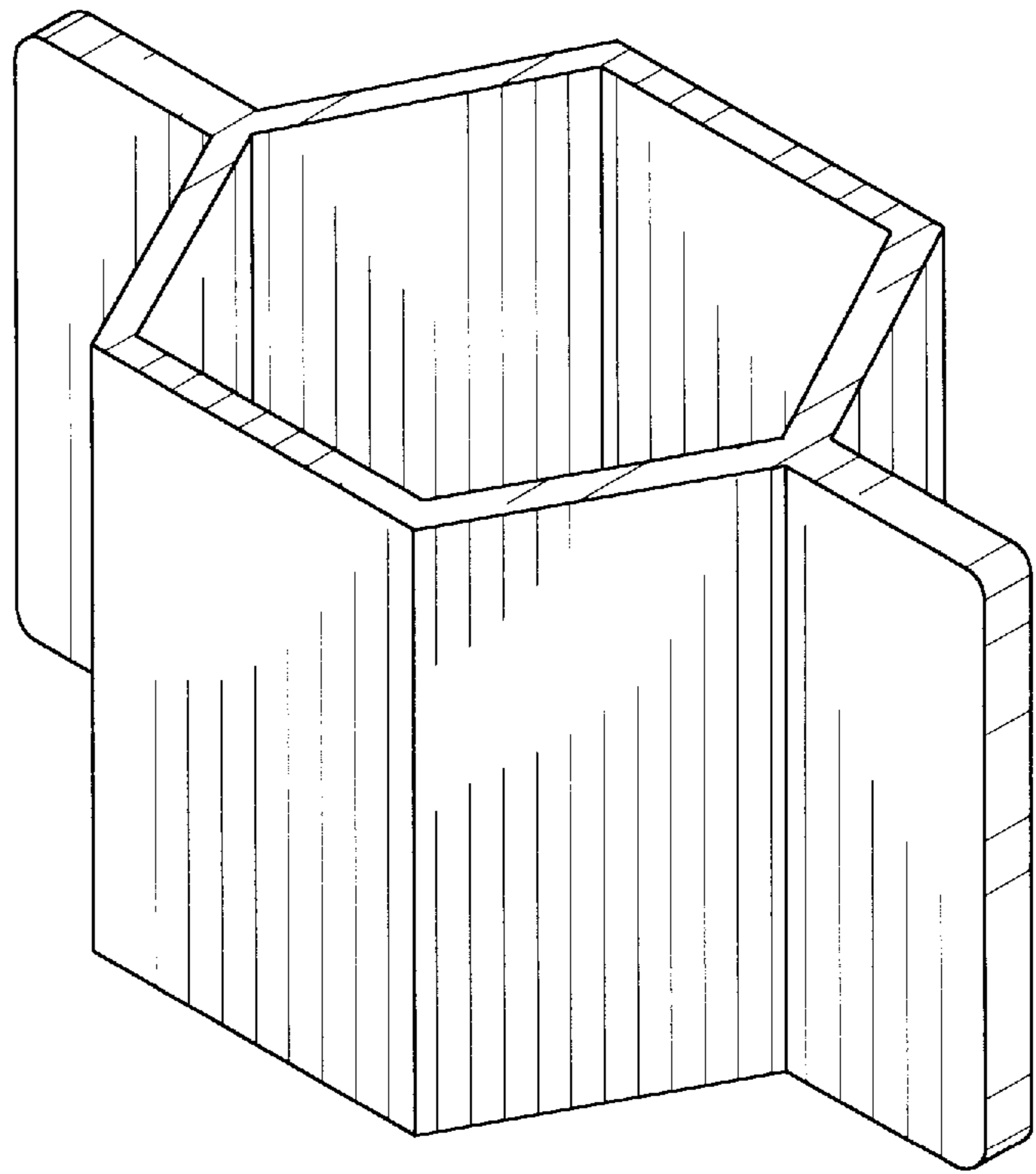


Fig. 8

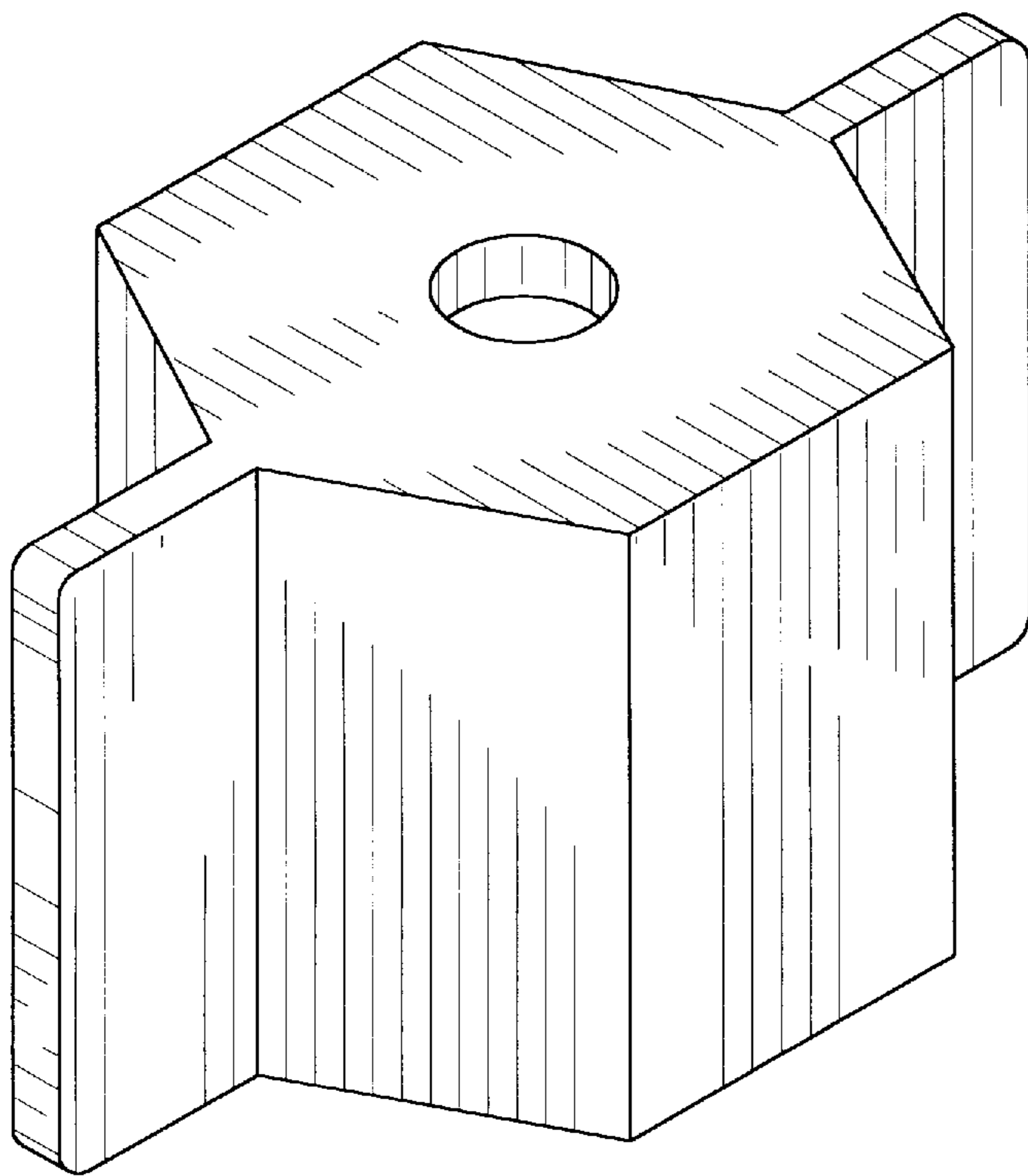


Fig. 7