



US00D398492S

United States Patent [19] Weber

[11] **Patent Number: Des. 398,492**

[45] **Date of Patent: **Sep. 22, 1998**

[54] **SHRUB GUARD**

D. 368,835 4/1996 Weber D8/1
5,479,741 1/1996 Underwood 47/30

[76] Inventor: **Heinz Weber**, 64 Gables Court,
Beaconsfield, Quebec, Canada, H9W
5H4

Primary Examiner—Holly Baynham
Attorney, Agent, or Firm—Eric Fincham

[**] Term: **14 Years**

[57] **CLAIM**

An ornamental design for a shrub guard, as shown and described.

[21] Appl. No.: **75,312**

[22] Filed: **Aug. 18, 1997**

DESCRIPTION

[51] **LOC (6) Cl.** **08-01**

FIG. 1 is a perspective view of the shrub guard;
FIG. 2 is a reduced front elevational view thereof, with a rear
elevational view being identical;
FIG. 3 is a side elevational view thereof as seen from the
right hand side of FIG. 2 with a left hand side view being
identical;

[52] **U.S. Cl.** **D8/1**

[58] **Field of Search** D8/1; 47/30, 9

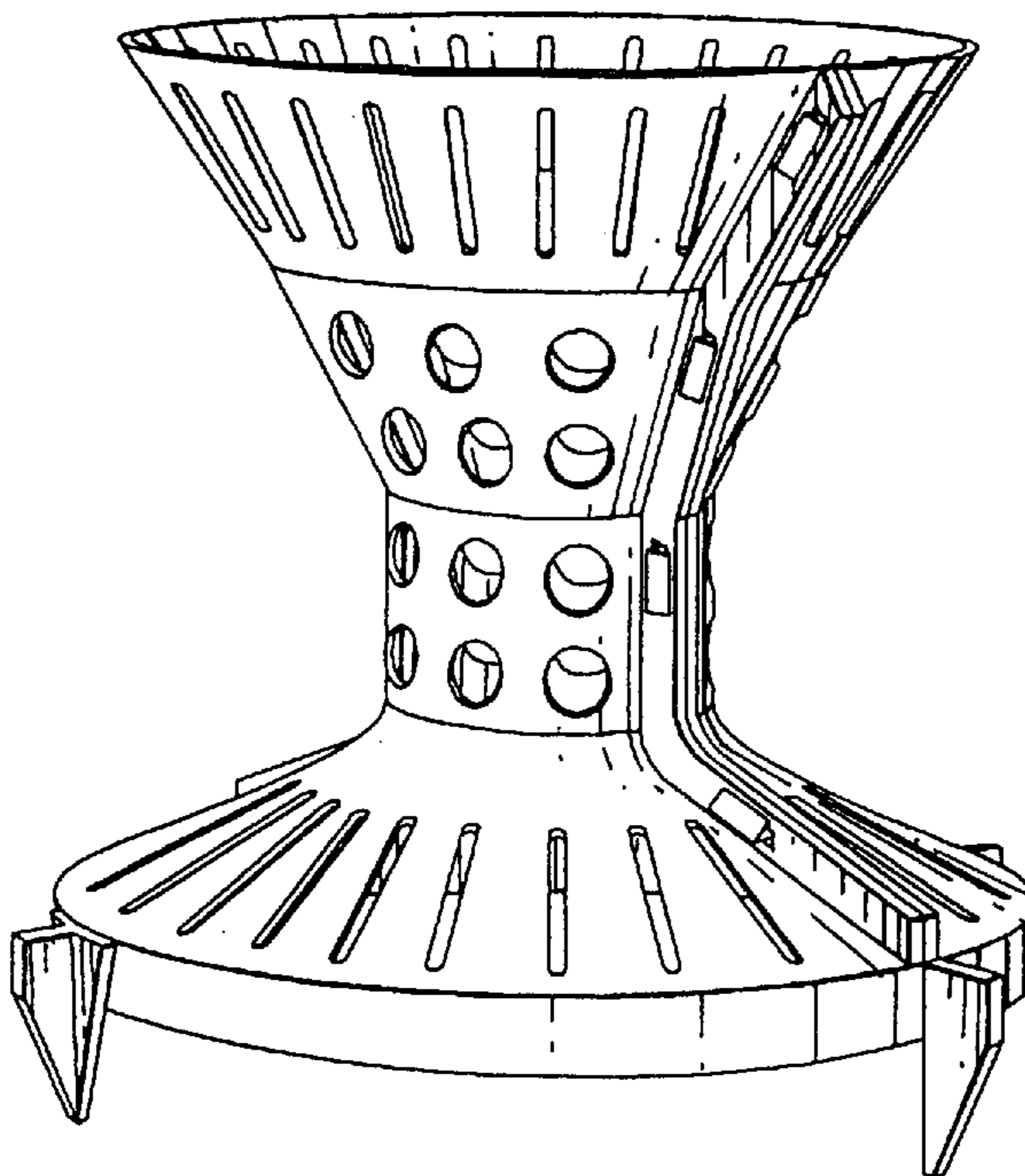
FIG. 4 is a top plan view thereof; and,
FIG. 5 is a bottom plan view thereof.

[56] **References Cited**

U.S. PATENT DOCUMENTS

- D. 162,243 2/1951 Simmons D8/1
- D. 268,084 3/1983 Haggard D8/1
- D. 298,904 12/1988 Mourich et al. D8/1

1 Claim, 1 Drawing Sheet



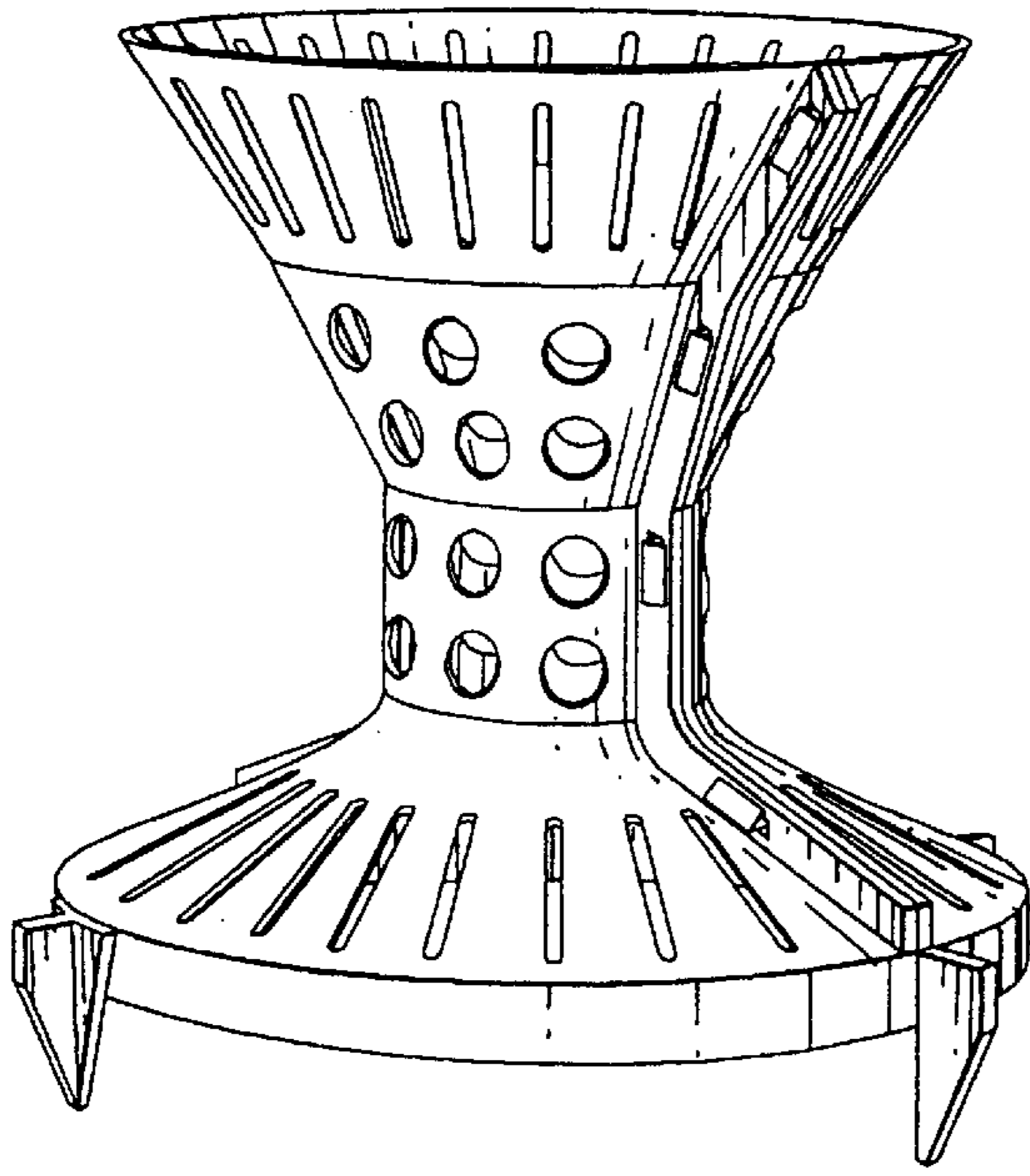


Fig-1

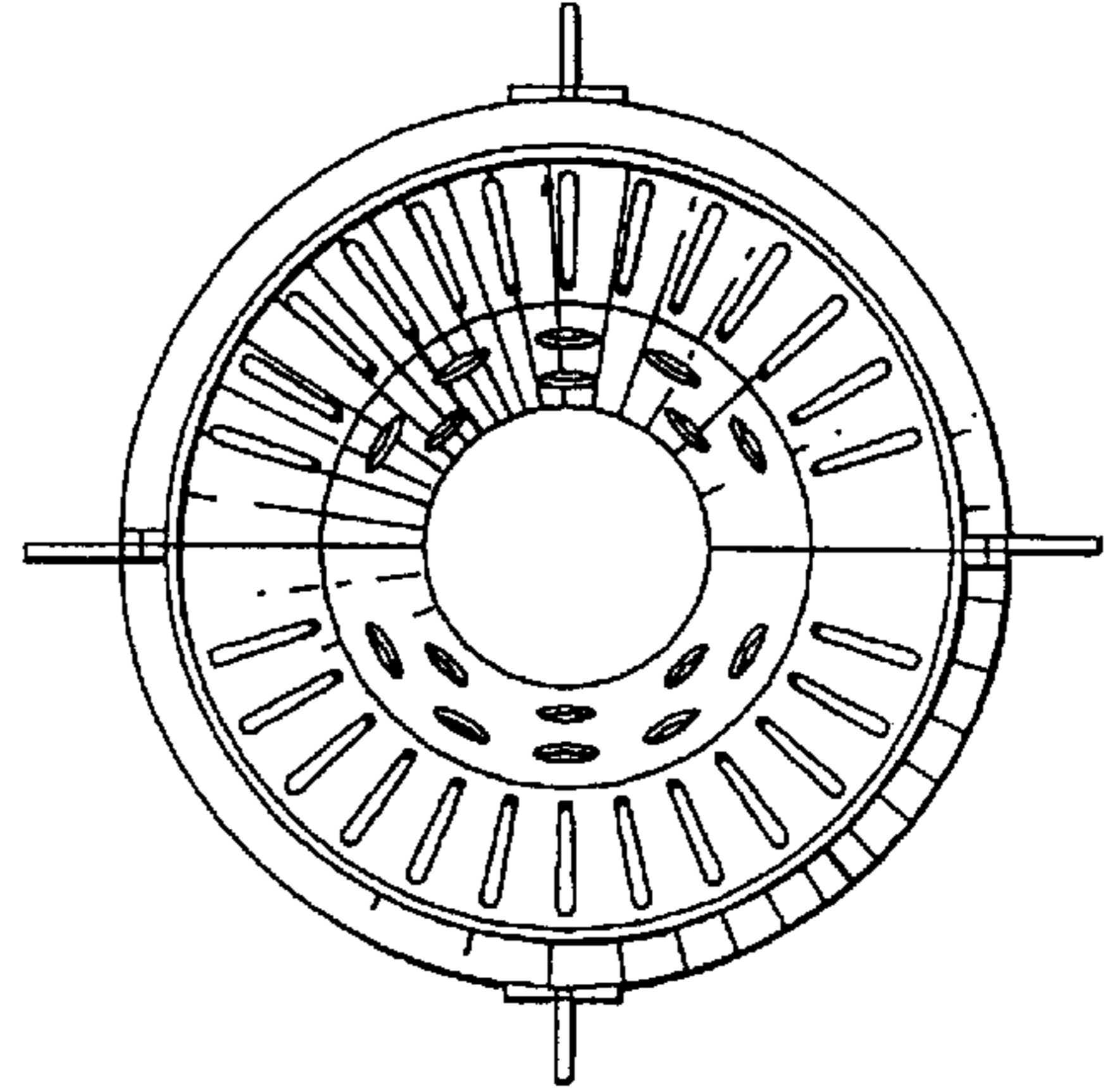


Fig-4

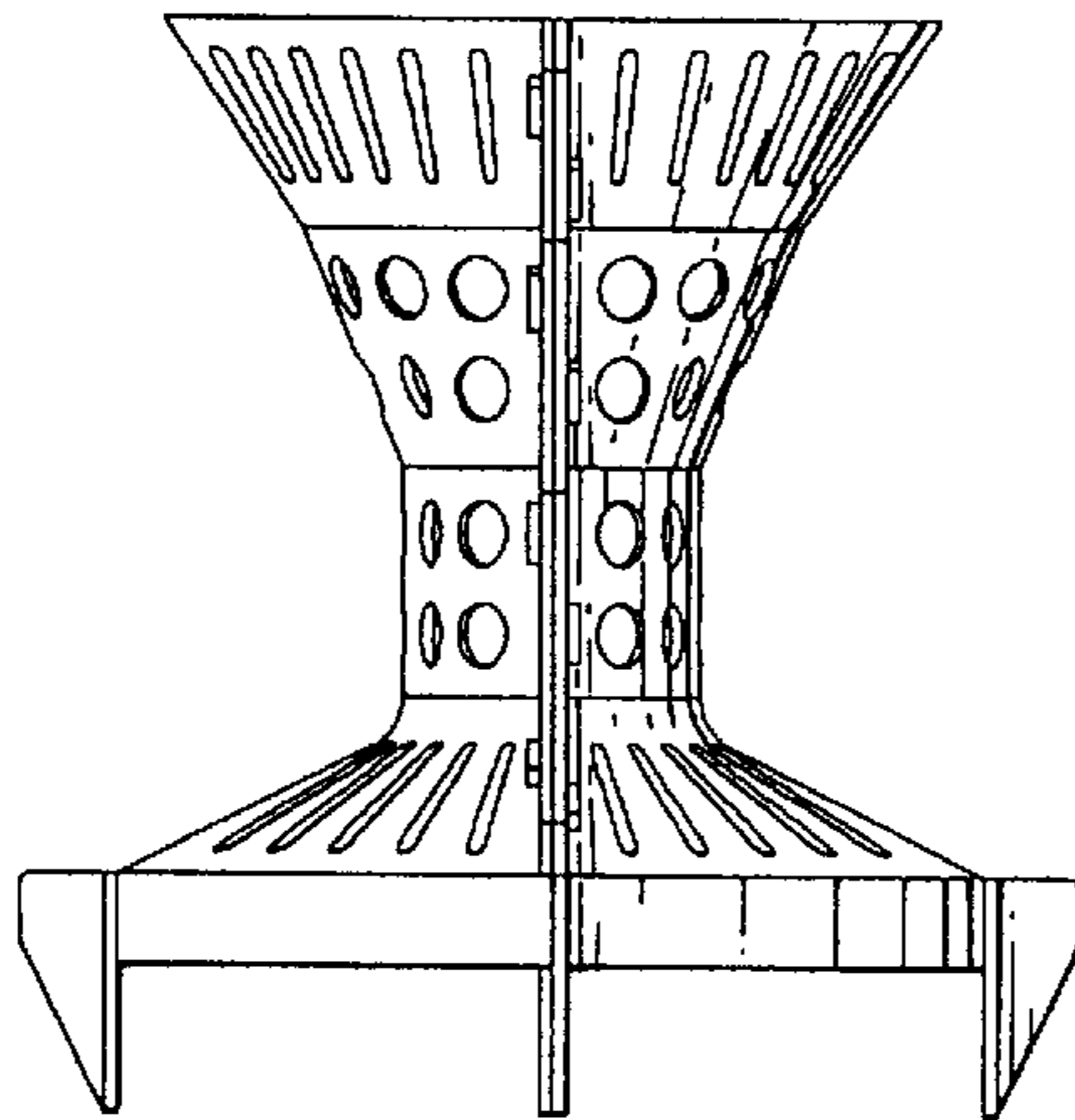


Fig-2

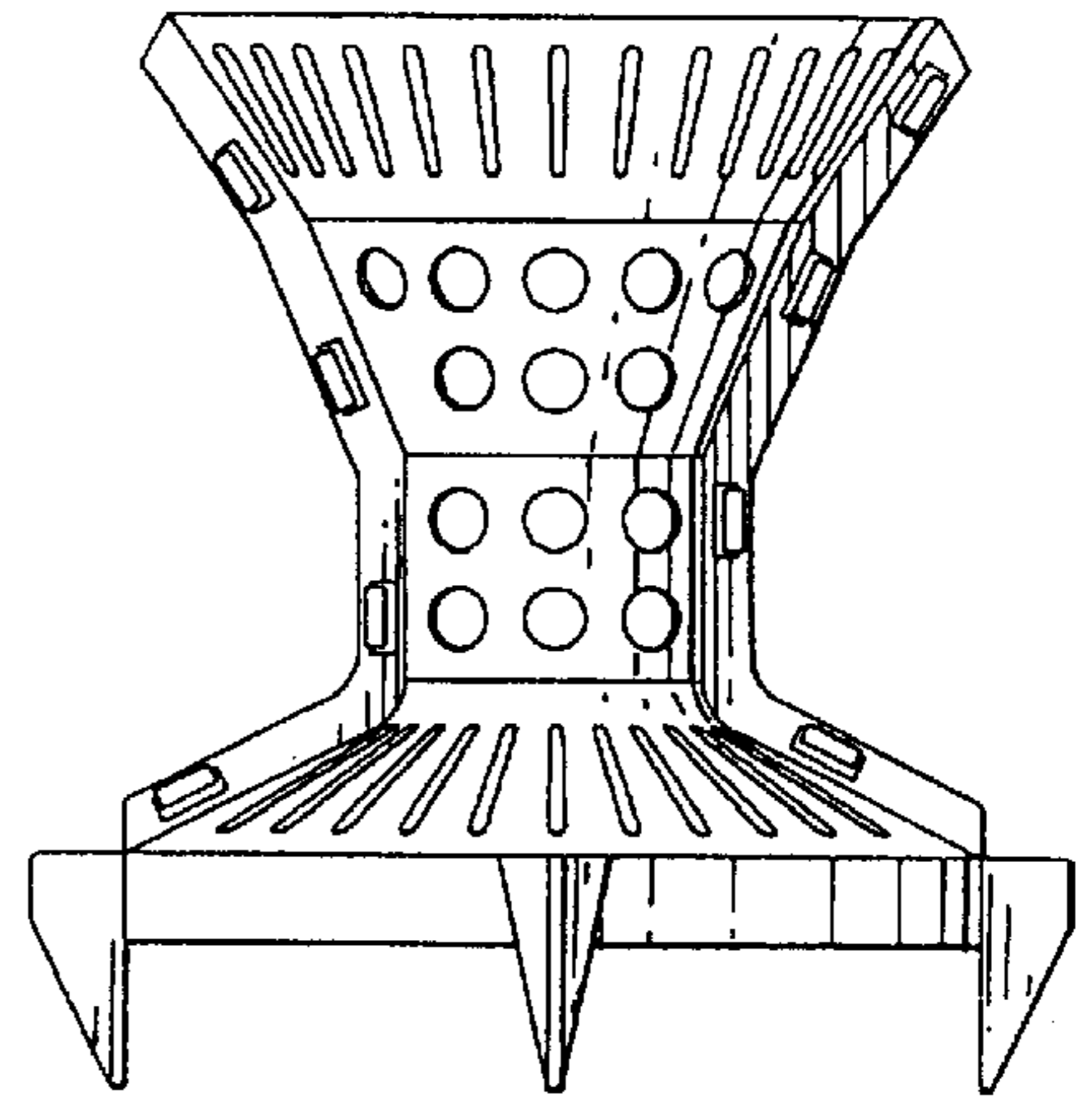


Fig-3

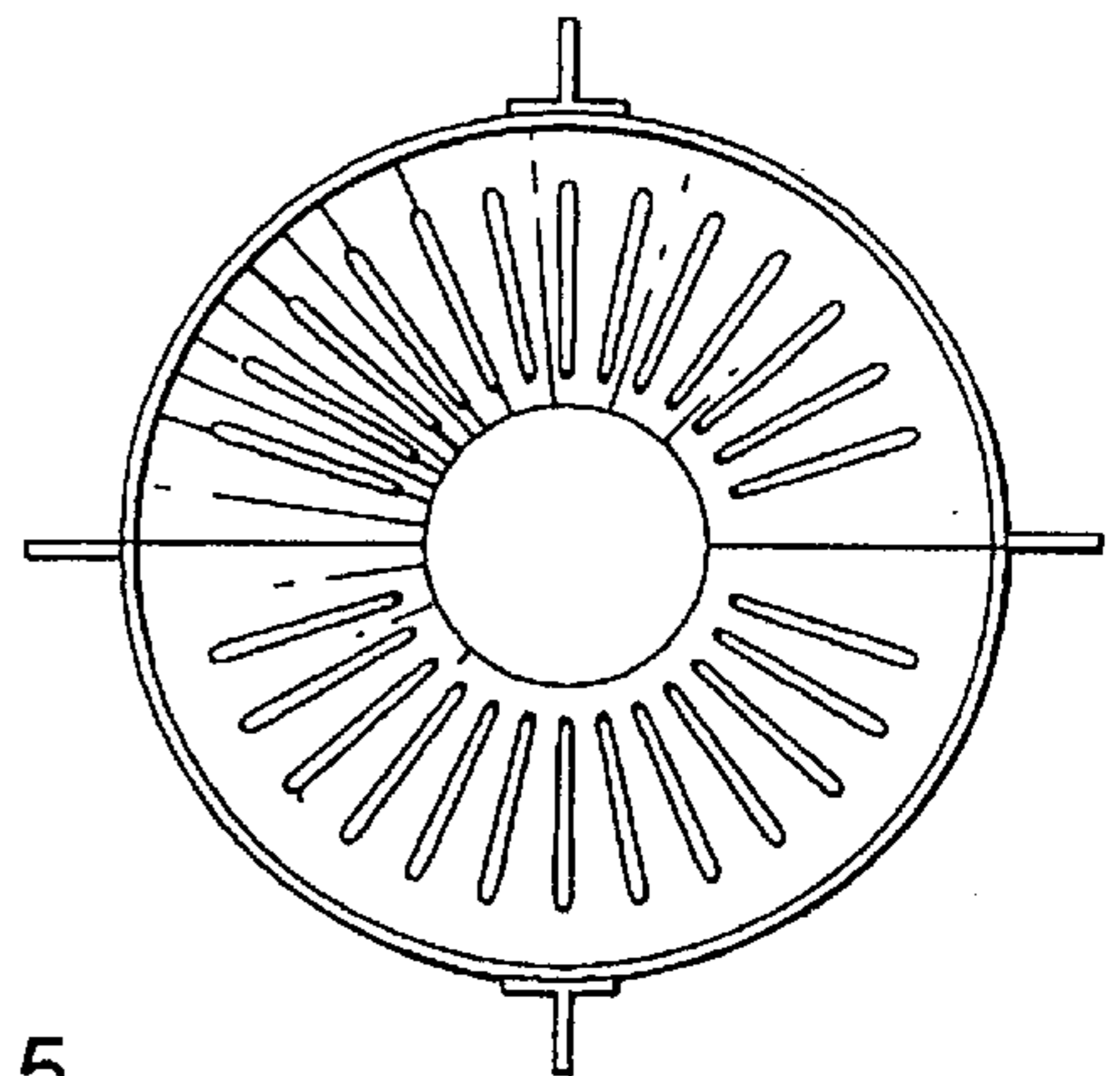


Fig-5