



US00D398483S

United States Patent [19]

[11] **Patent Number: Des. 398,483**

Stocco

[45] **Date of Patent: **Sep. 22, 1998**

[54] **POT LID HOLDER**

[76] Inventor: **Gerard M. Stocco**, 2233 Glenview, Glenview, Ill. 60025

[**] Term: **14 Years**

[21] Appl. No.: **70,941**

[22] Filed: **May 20, 1997**

[51] **LOC (6) Cl. 07-01**

[52] **U.S. Cl. D7/601**

[58] **Field of Search** D7/601, 637; D8/356, D8/370; D6/418, 462; 211/181.1, 41.4, 42; 248/107, 175, 176.1, 176.2, 309.1

[56] **References Cited**

U.S. PATENT DOCUMENTS

D. 235,125	5/1975	Schlachter	D8/370
D. 242,407	11/1976	Enckler	D8/370 X
D. 265,622	8/1982	Bartels .		
D. 266,461	10/1982	Helzer	D6/142
D. 274,682	7/1984	Segel	D6/310
D. 276,961	1/1985	Kemper	D6/466
D. 282,323	1/1986	Fetty	D6/462
D. 290,794	7/1987	Mingledorff, Jr.	D6/462
D. 301,105	5/1989	Maxwell .		
D. 304,280	10/1989	Leighton .		
D. 307,686	5/1990	Cadman	D6/572
D. 311,651	10/1990	Fetty	D6/462
D. 361,450	8/1995	Weatherby	D6/466
D. 362,778	10/1995	Mele	D6/522
D. 369,052	4/1996	Mele	D6/522
4,638,786	1/1987	Lucky	126/24
4,745,905	5/1988	Lucky	126/24
4,775,124	10/1988	Hicks	248/175

(List continued on next page.)

OTHER PUBLICATIONS

The Container Store, "The Ultimate Guide to Kitchen and Pantry Organization", pp. 2, 11, 12, 55, revised edition May, 1996.

IKEA catalog "Imagine the Possibilities 1998", Inter IKEA Systems B.V. 1997; cover page, p. 51 and back page.

Primary Examiner—Terry A. Wallace
Attorney, Agent, or Firm—Michael Best & Friedrich

[57] **CLAIM**

The ornamental design for a pot lid holder, as shown and described.

DESCRIPTION

FIG. 1 is a perspective view of a pot lid holder showing my new design;

FIG. 2 is a left elevational view thereof, the right side view being a mirror image of that shown;

FIG. 3 is a top plan view thereof;

FIG. 4 is a bottom plan view thereof;

FIG. 5 is a rear elevational view thereof;

FIG. 6 is a front elevational view thereof;

FIG. 7 is a left elevational view of the pot lid holder illustrated in FIG. 1 in a wall-mounted environment, the right side view being a mirror image of that shown;

FIG. 8 is a rear elevational view of the pot lid holder of FIG. 7 with a portion of the environment removed for illustrational purposes;

FIG. 9 is a front elevational view of the pot lid holder of FIG. 7;

FIG. 10 is a top plan view of the pot lid holder of FIG. 7; FIG. 11 is a bottom plan view of the pot lid holder of FIG. 7;

FIG. 12 is a left elevational view of an alternative embodiment of the design illustrated in FIG. 7, the right side view being a mirror image of that shown;

FIG. 13 is a front elevational view of the pot lid holder of FIG. 12;

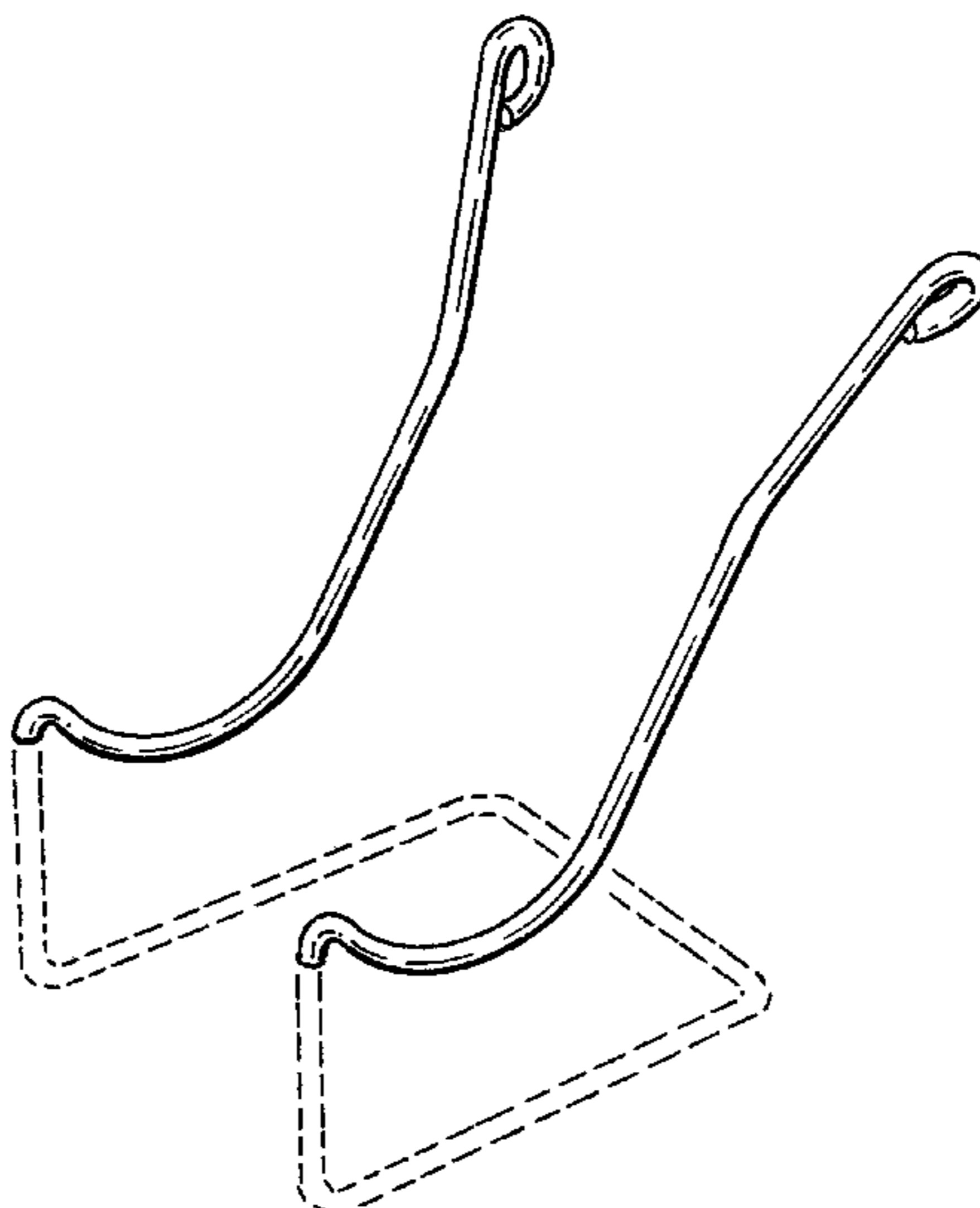
FIG. 14 is a top plan view of the pot lid holder of FIG. 12 with a portion of the environment removed for illustrational purposes;

FIG. 15 is a rear elevational view of the pot lid holder of FIG. 12 with a portion of the environment removed for illustrational purposes; and,

FIG. 16 is a bottom plan view of the pot lid holder of FIG. 12.

The broken lines are for illustrative purposes only and form no part of the claimed design.

1 Claim, 6 Drawing Sheets

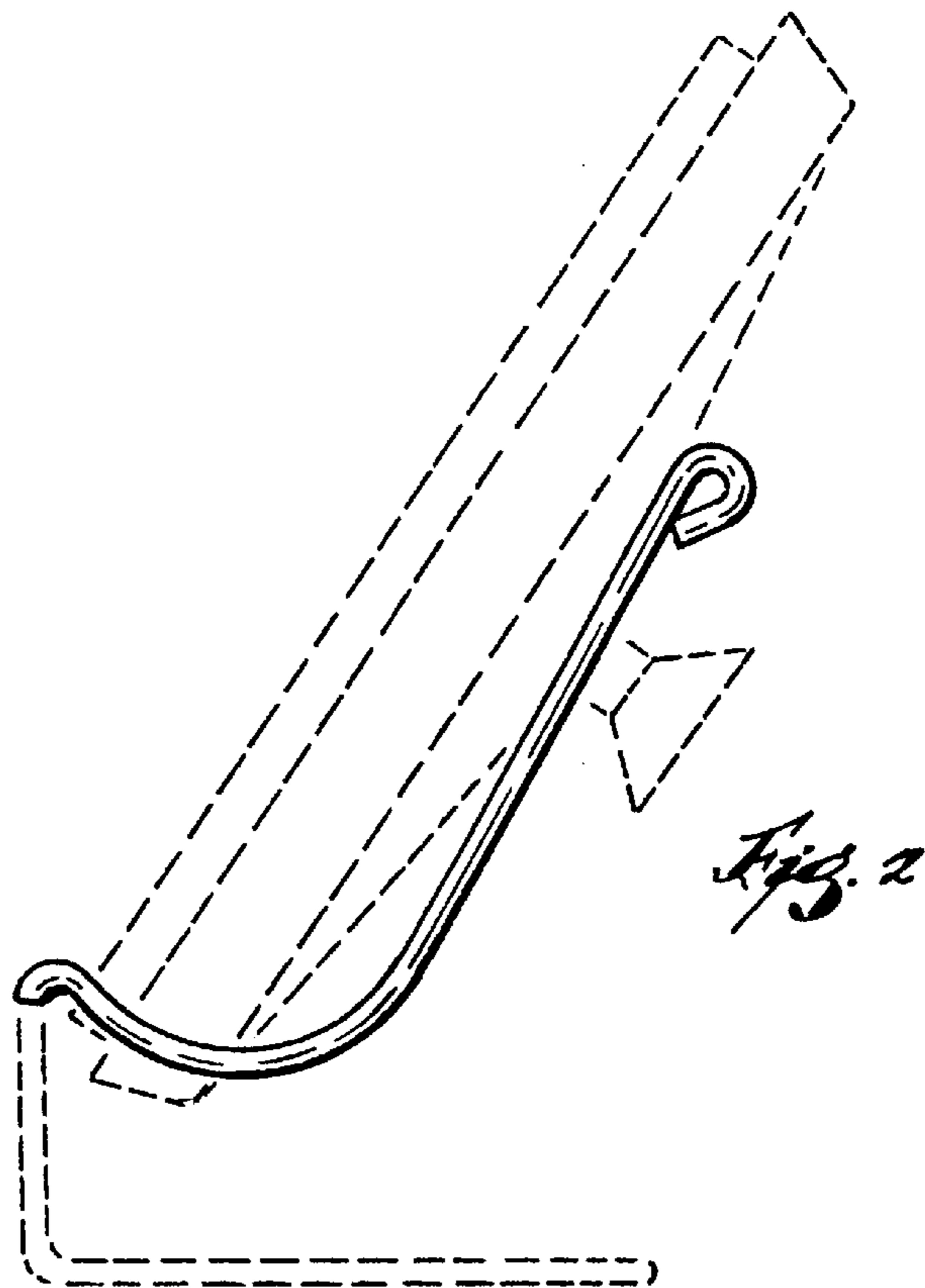
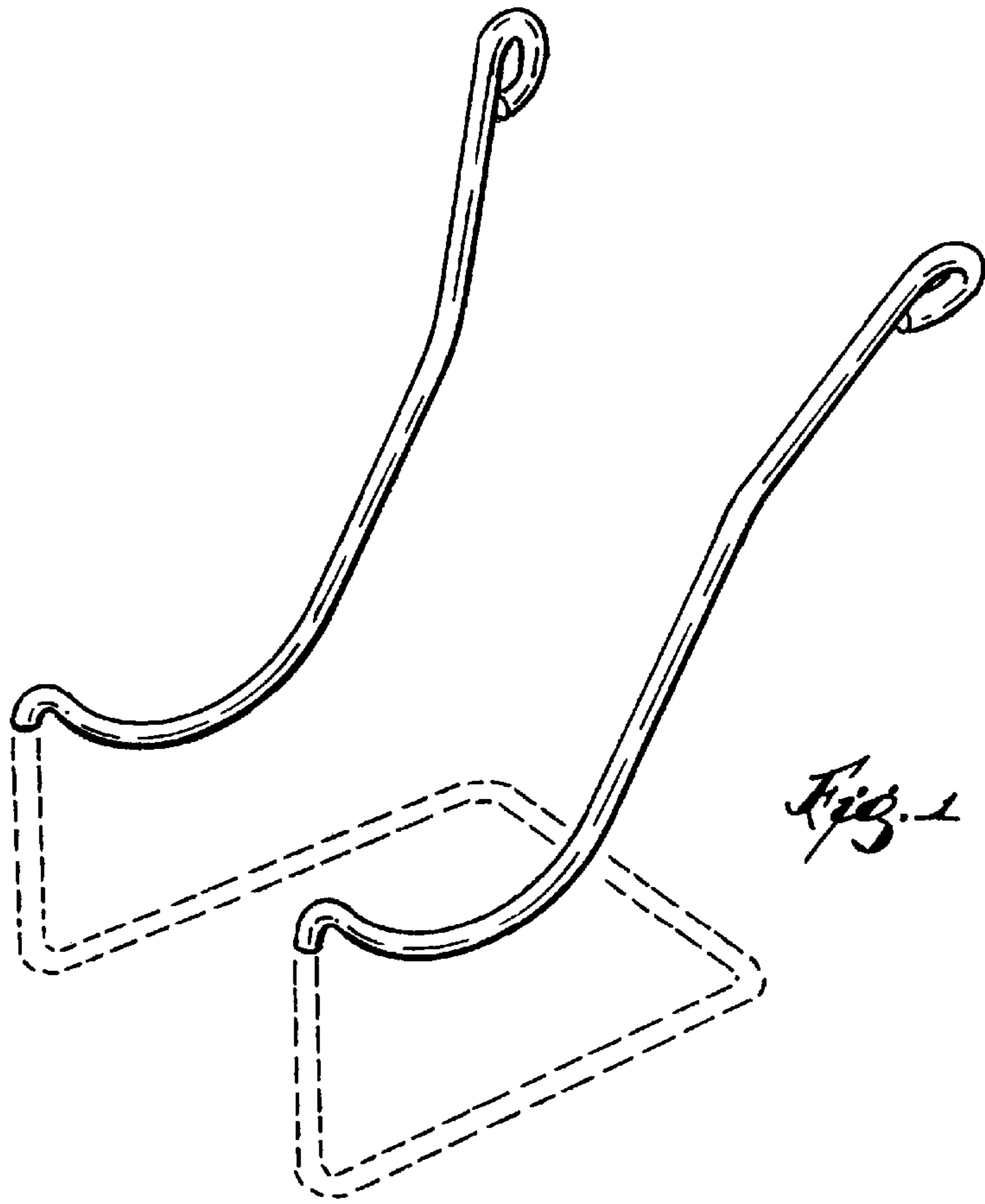


Des. 398,483

Page 2

U.S. PATENT DOCUMENTS

			5,127,616	7/1992	Carney	248/176
4,893,771	1/1990	Kaneshiro	5,170,978	12/1992	Hoffman	248/309.1
4,911,310	3/1990	Raishe et al.	5,207,334	5/1993	Lear	211/184
4,936,536	6/1990	Meneghello	5,246,195	9/1993	Huff	248/309.1
5,038,945	8/1991	Melkonian	5,297,766	3/1994	Hoffman	248/309.1



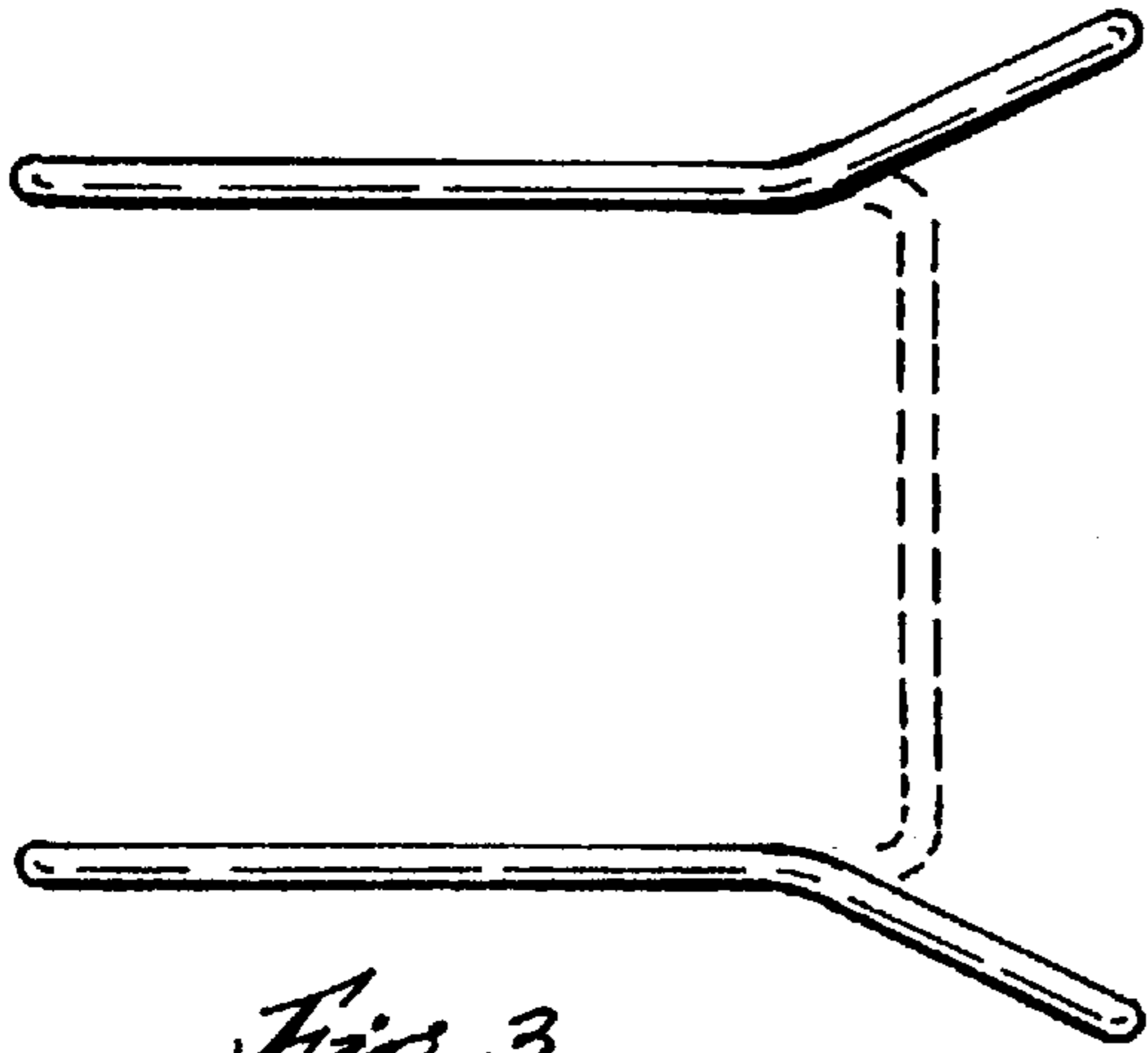


Fig. 3

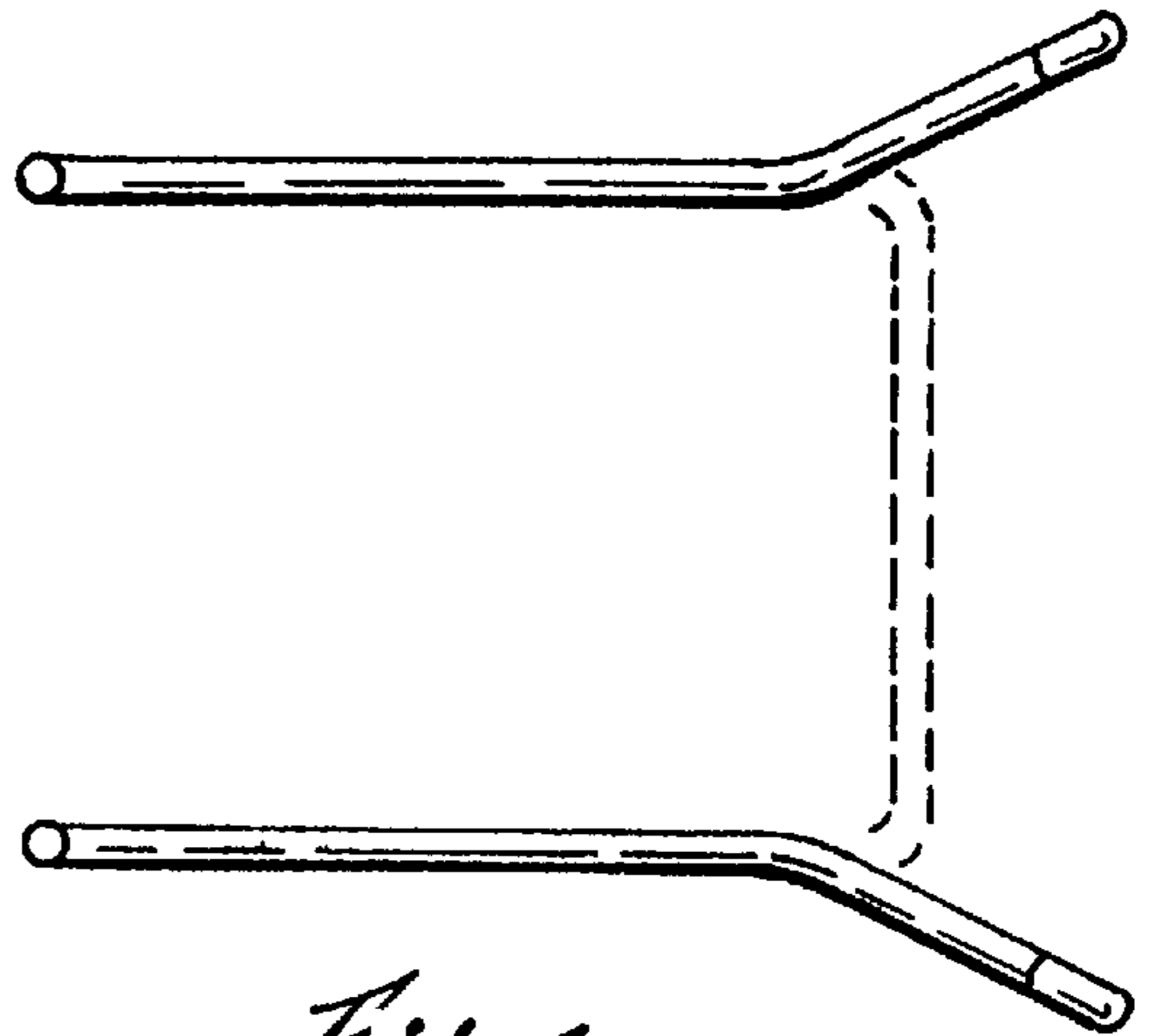


Fig. 4

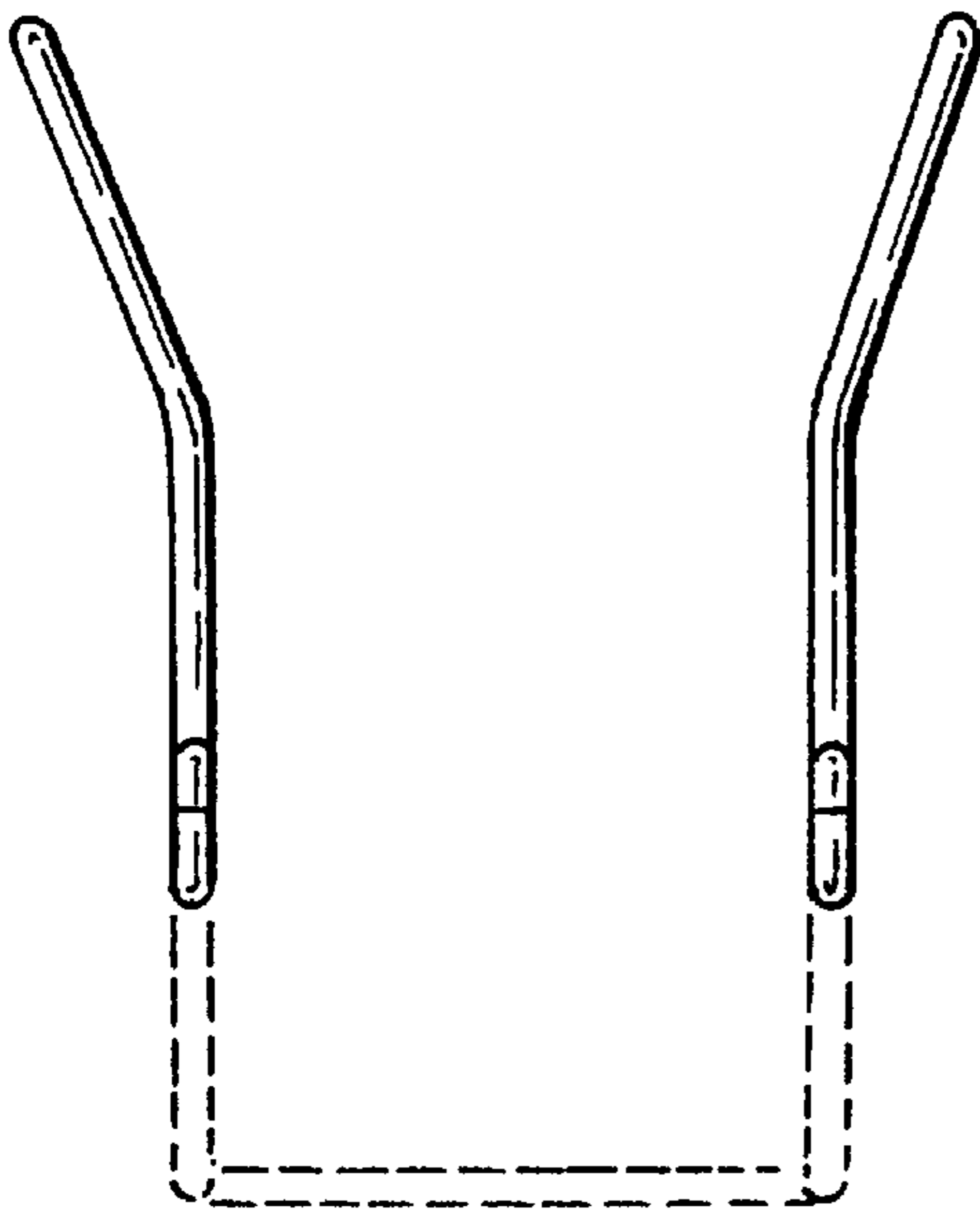


Fig. 5

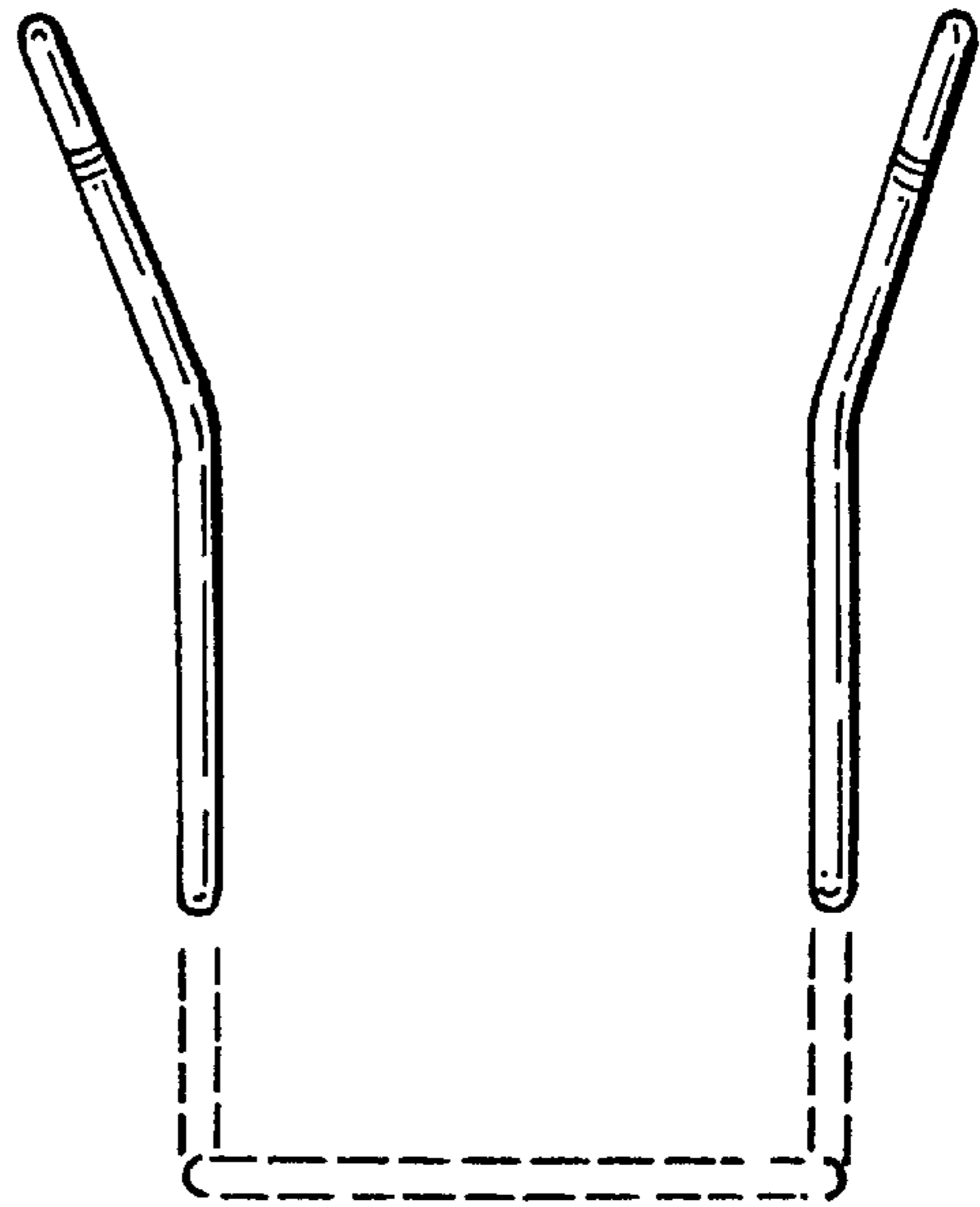
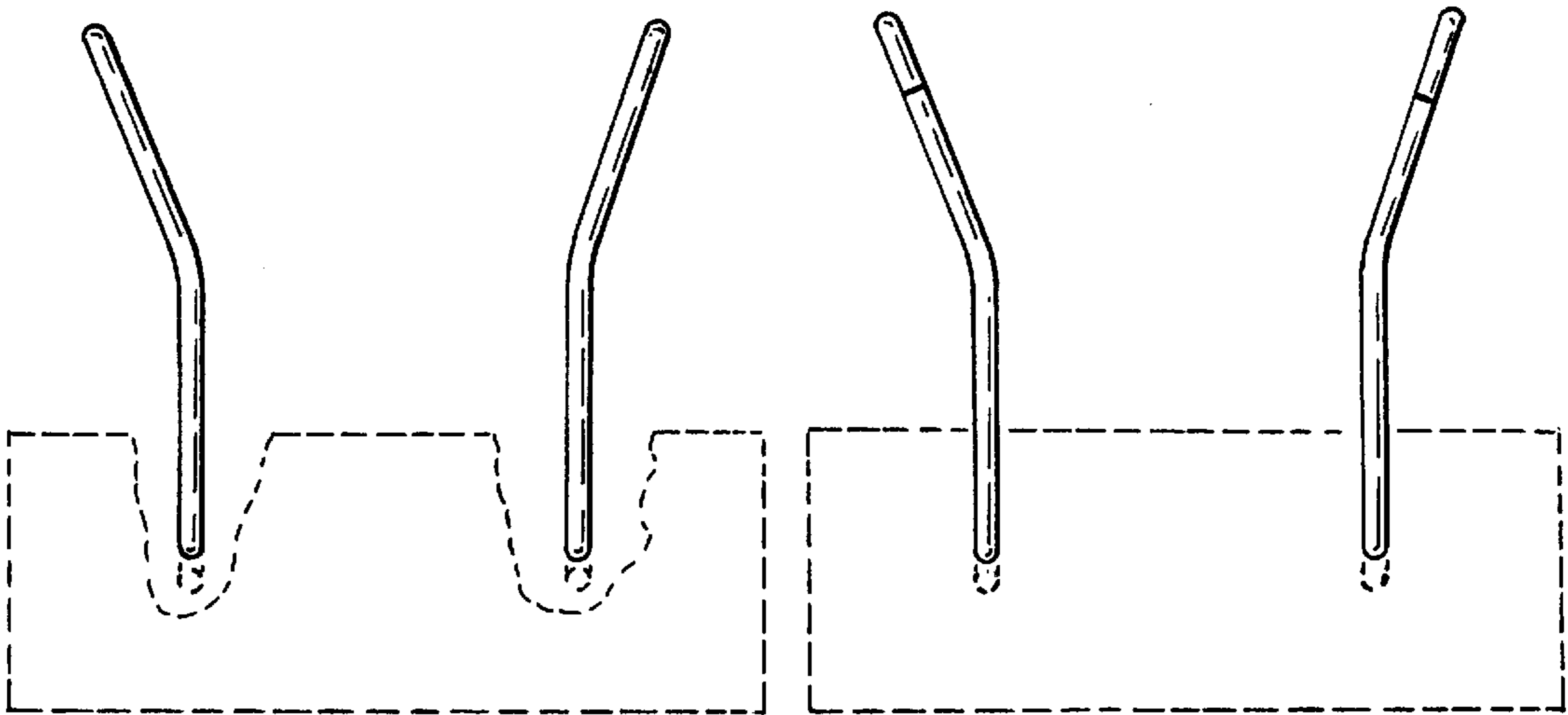
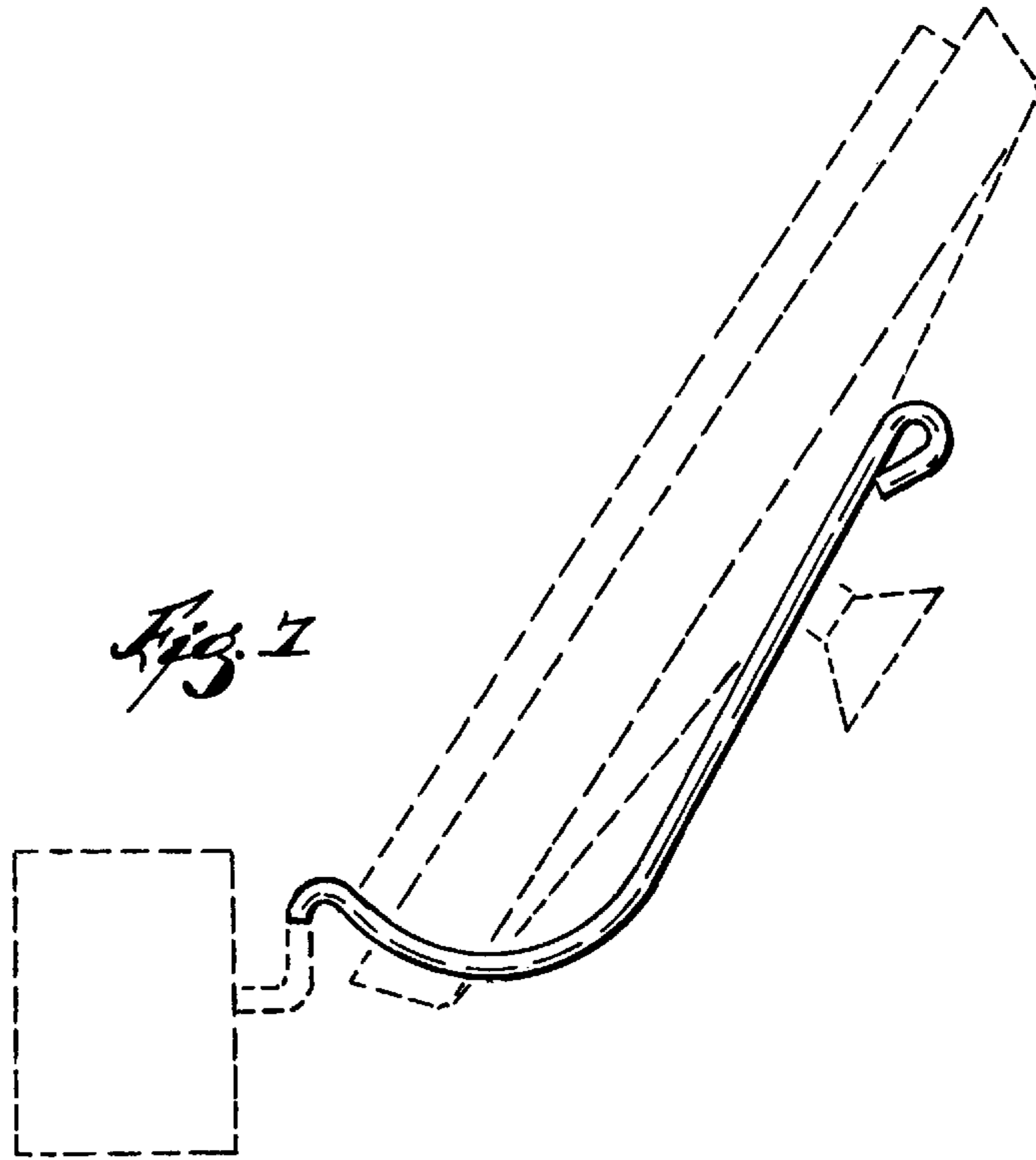


Fig. 6



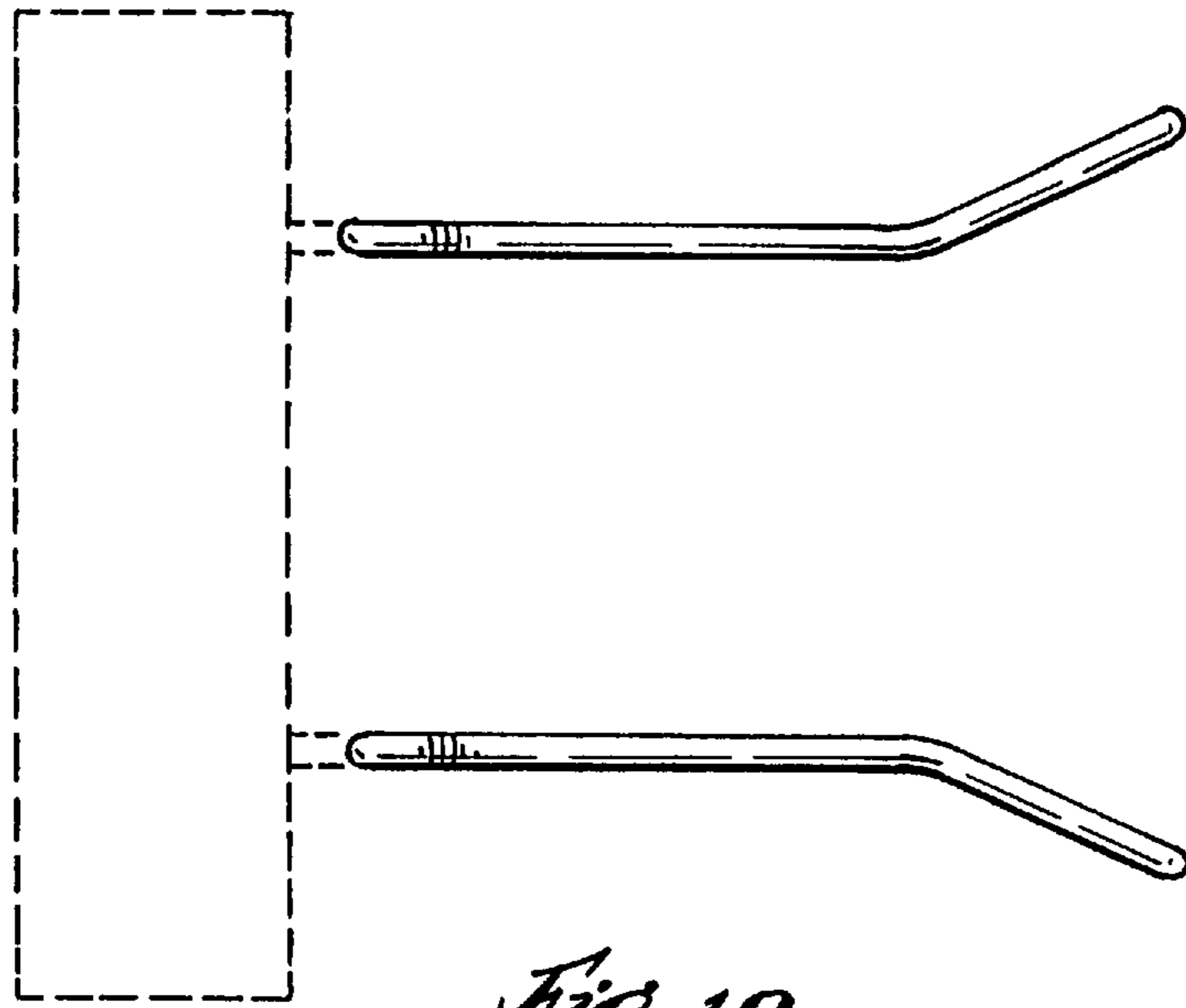


Fig. 10

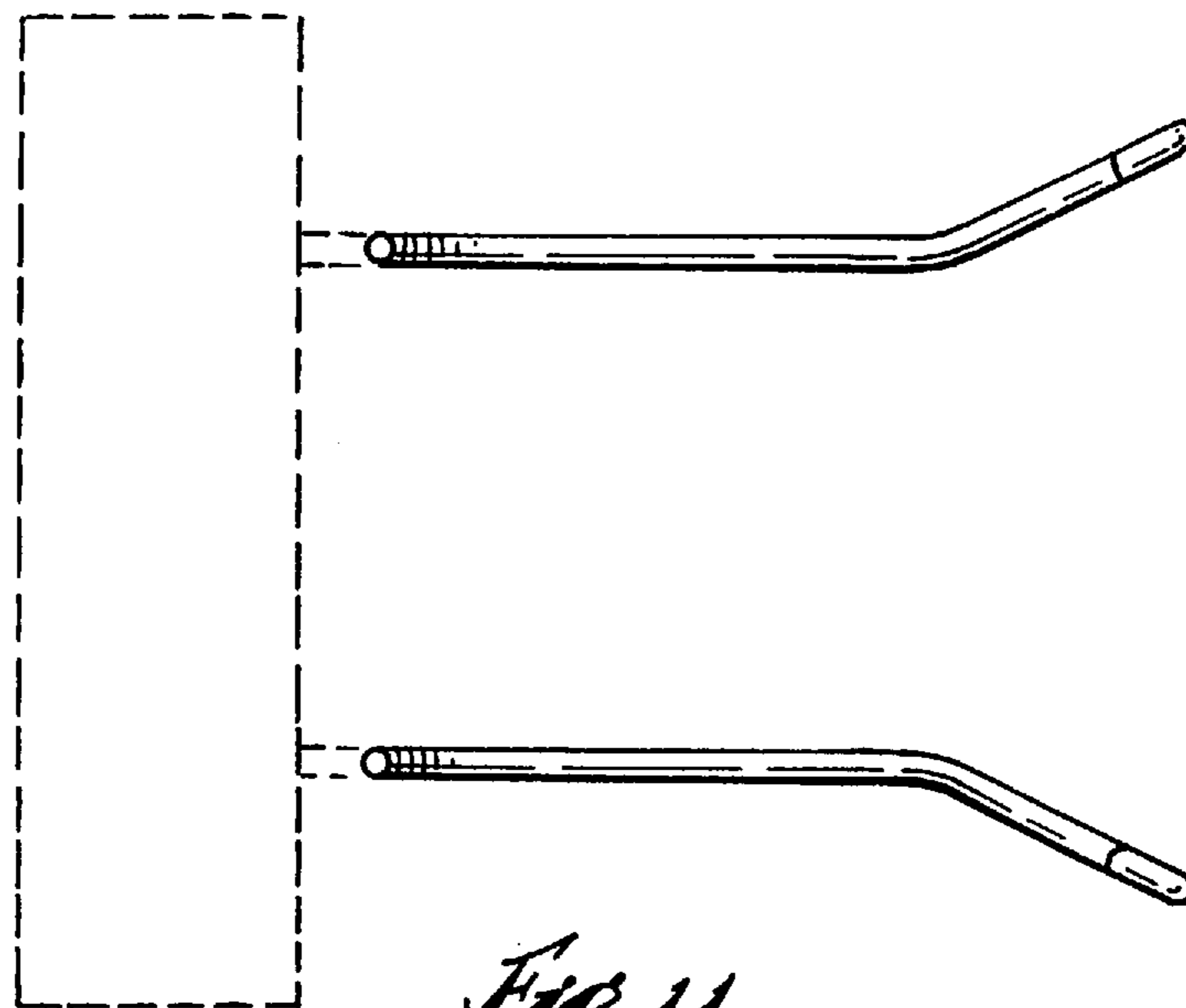


Fig. 11

