



US00D398480S

United States Patent [19]

[11] Patent Number: Des. 398,480

Panta Chica

[45] Date of Patent: **Sep. 22, 1998

[54] SERVING TRAY

Attorney, Agent, or Firm—Brinks Hofer Gilson & Lione

[75] Inventor: Hector Virgilio Panta Chica,
Guayaquil, Ecuador

[57] CLAIM

The ornamental design for the serving tray, as shown and described.

[73] Assignee: Pantalimentos, Cia. LTDA, Ecuador

[**] Term: 14 Years

DESCRIPTION

[21] Appl. No.: 43,630

FIG. 1 is a perspective view showing the serving tray of the present invention;

[22] Filed: Sep. 8, 1995

FIG. 2 is a top view thereof;

[30] Foreign Application Priority Data

Mar. 7, 1995 [EC] Ecuador SDI-95232

FIG. 3 is a sectional view along 3—3 as shown in FIG. 2 thereof;

[51] LOC (6) Cl. 07-01

FIG. 4 is a sectional view along 4—4 as shown in FIG. 2 thereof;

[52] U.S. Cl. D7/553; D7/555

[58] Field of Search D7/500, 505, 507,
D7/538, 701, 540, 541, 542, 546, 547,
549, 550, 552, 553, 554, 555, 557, 601,
602, 610, 619, 620, 612, 360, 551; 220/630,
23.83, 23.8; D32/40, 44, 49; D19/35; D3/313

FIG. 5 is a sectional view along 5—5 as shown in FIG. 2 thereof;

FIG. 6 is a sectional view along 6—6 as shown in FIG. 2 thereof;

[56] References Cited

U.S. PATENT DOCUMENTS

| | | | | |
|------------|---------|--------------|-------|------------|
| 292,651 | 1/1884 | Hentschke | | 220/23.83 |
| D. 307,529 | 5/1990 | Baetens | | D7/549 |
| D. 331,860 | 12/1992 | Stanfield | | D7/555 X |
| D. 336,217 | 6/1993 | Picozza | | D7/555 X |
| D. 353,742 | 12/1994 | Lewis et al. | | D7/549 X |
| D. 378,477 | 3/1997 | Sussman | | D7/553 X |
| 2,003,895 | 6/1935 | Martin | | D7/555 X |
| 3,110,303 | 11/1963 | Brownrigg | | D7/360 |
| 4,516,685 | 5/1985 | French | | 220/23.83 |
| 4,989,742 | 2/1991 | Powell | | D7/554 X |
| 5,110,170 | 5/1992 | Boatwright | | D7/507 X |
| 5,259,528 | 11/1993 | Pace et al. | | 220/23.8 X |

FIG. 7 is a sectional view along 7—7 as shown in FIG. 2 thereof;

FIG. 8 is a sectional view along 8—8 as shown in FIG. 2 thereof;

FIG. 9 is a left side elevational view thereof;

FIG. 10 is a right side view thereof;

FIG. 11 is a front view thereof;

FIG. 12 is a detail top view of the surface of the bottom of the larger well; and

FIG. 13 is an enlarged fragmentary detail plan view of the interior surface pattern shown in FIGS. 1 and 2;

FIG. 14 is a sectional view taken along line 14—14 of FIG. 13; and,

FIG. 15 is a bottom plan view of the serving tray.

OTHER PUBLICATIONS

Tennis racket server, Gifts and Decorative accessories,p. 146, Jan. 1980.

Primary Examiner—M. N. Pandozzi

1 Claim, 5 Drawing Sheets

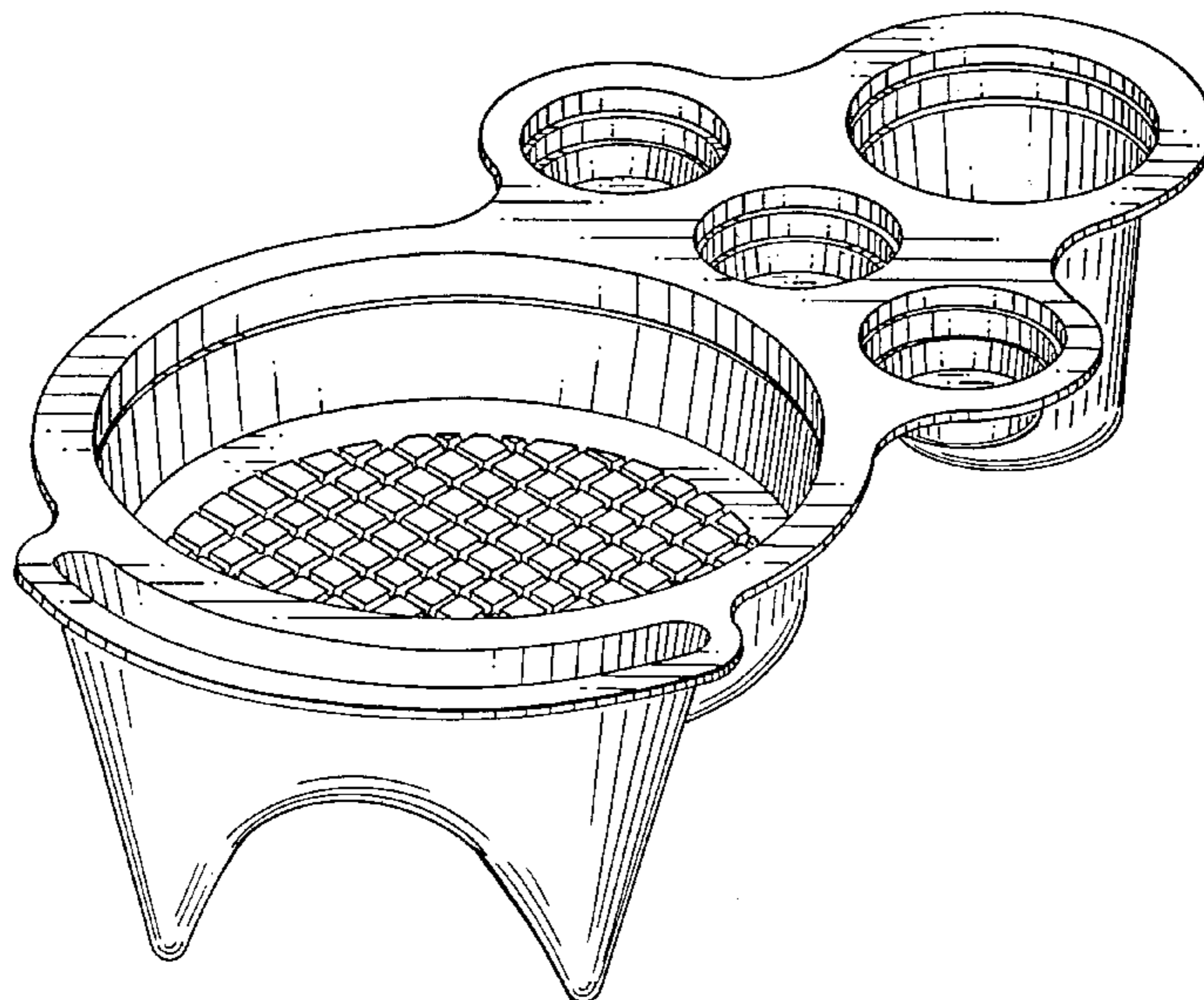


Fig. 1

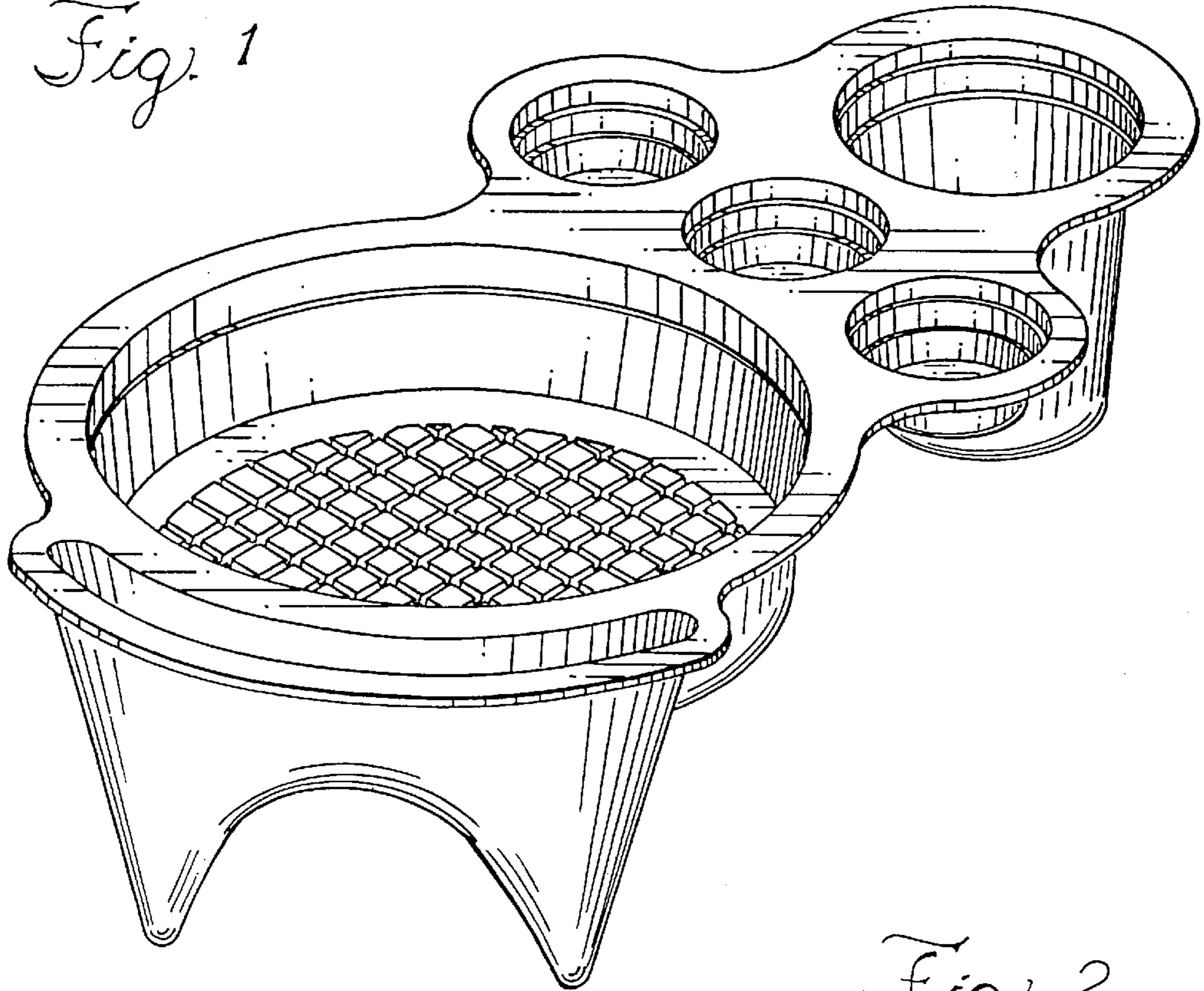
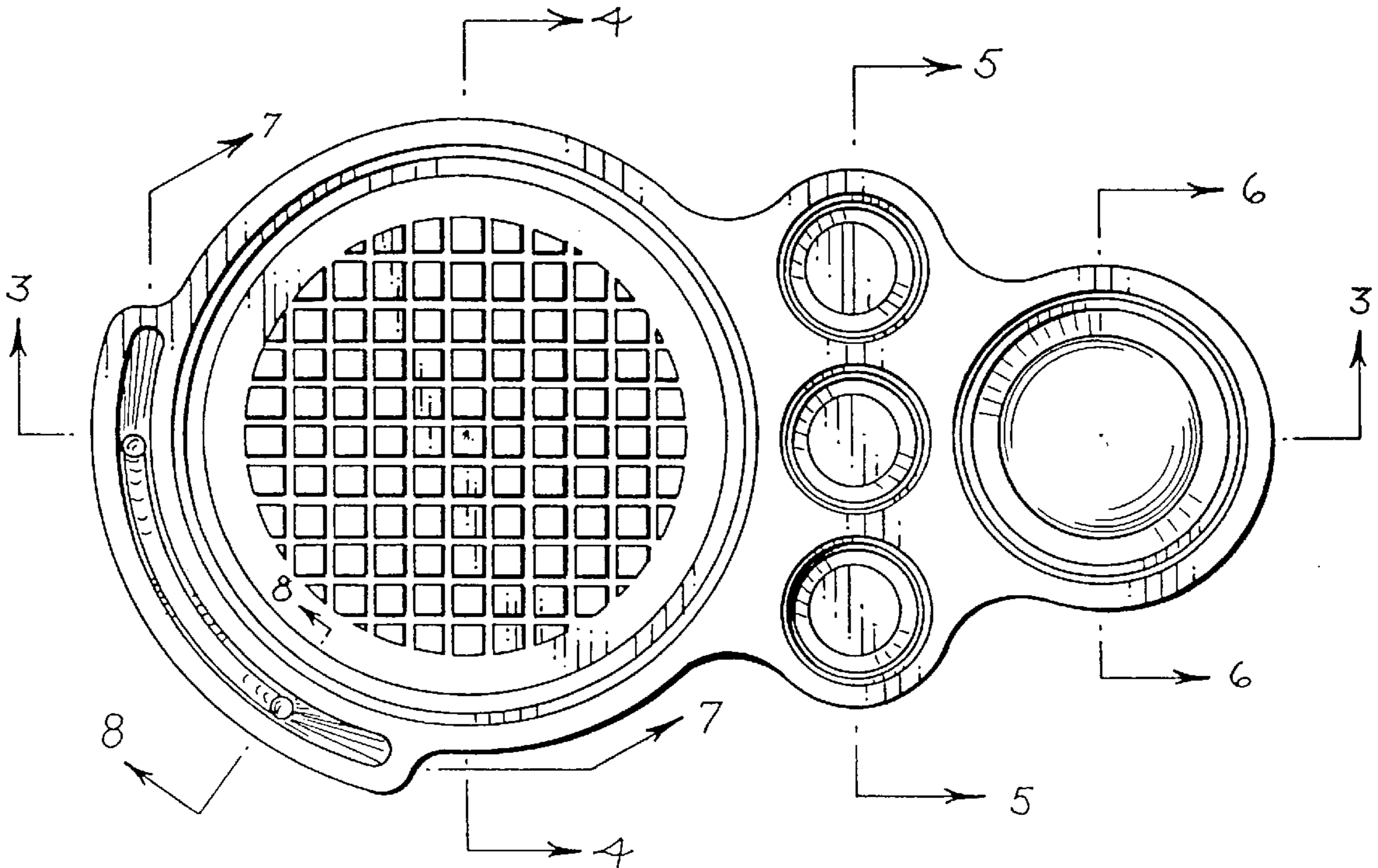


Fig. 2



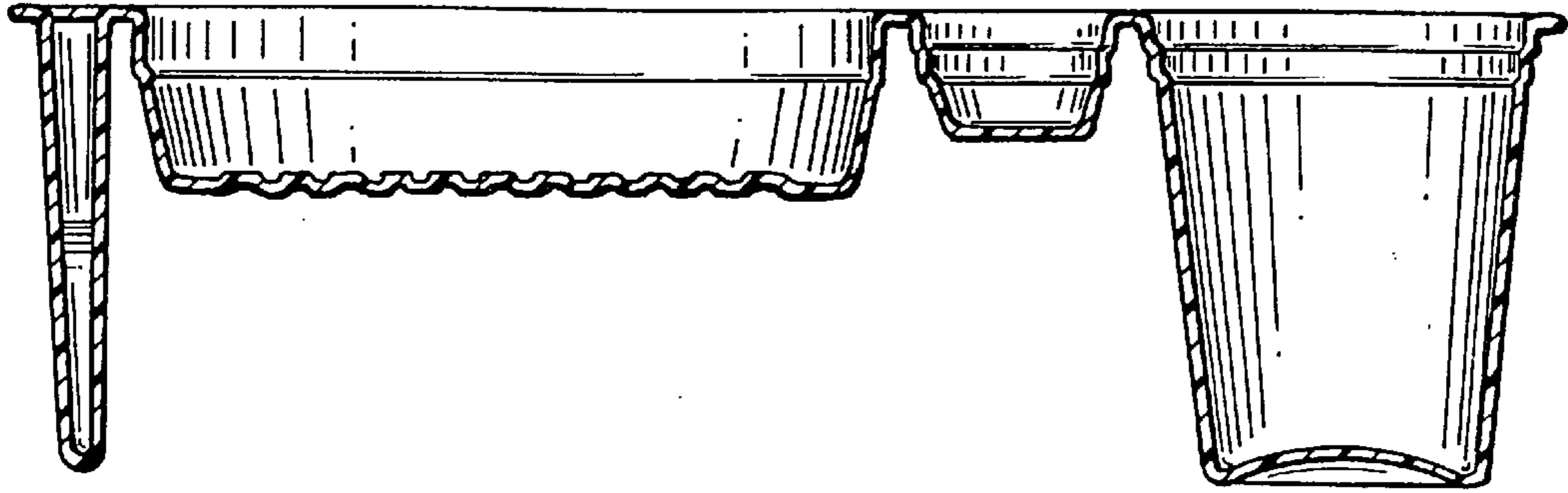


Fig. 3

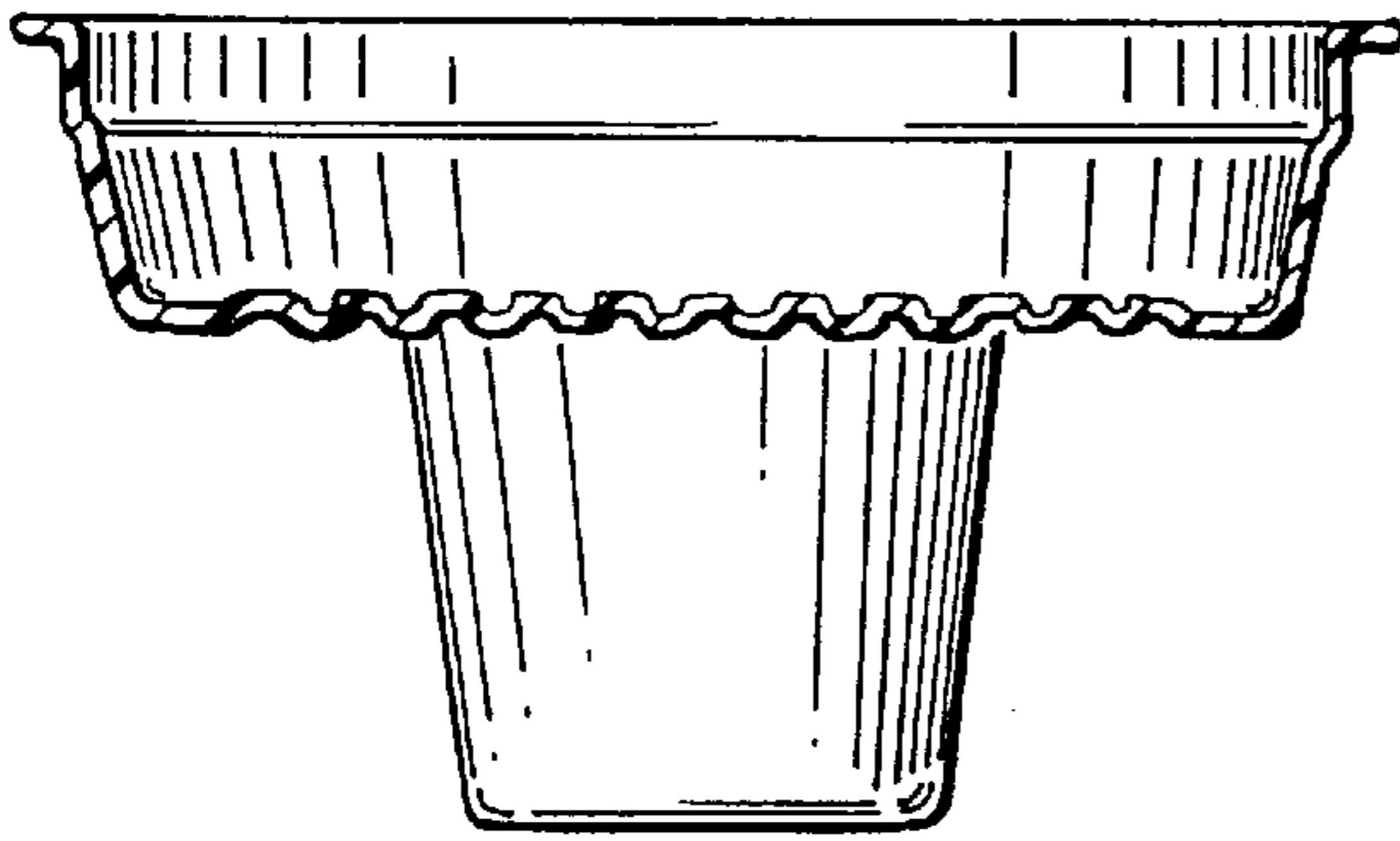


Fig. 4

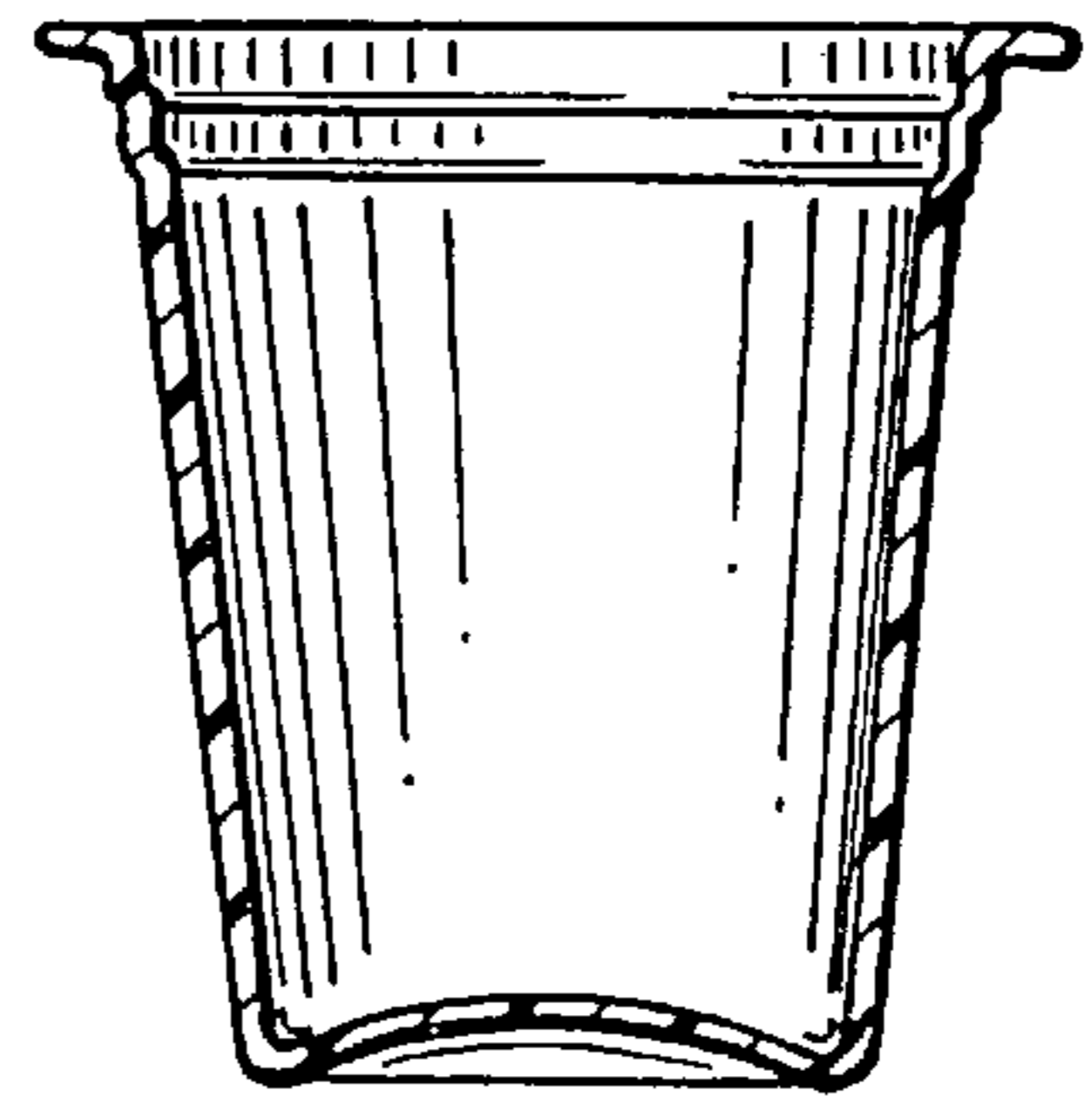


Fig. 6

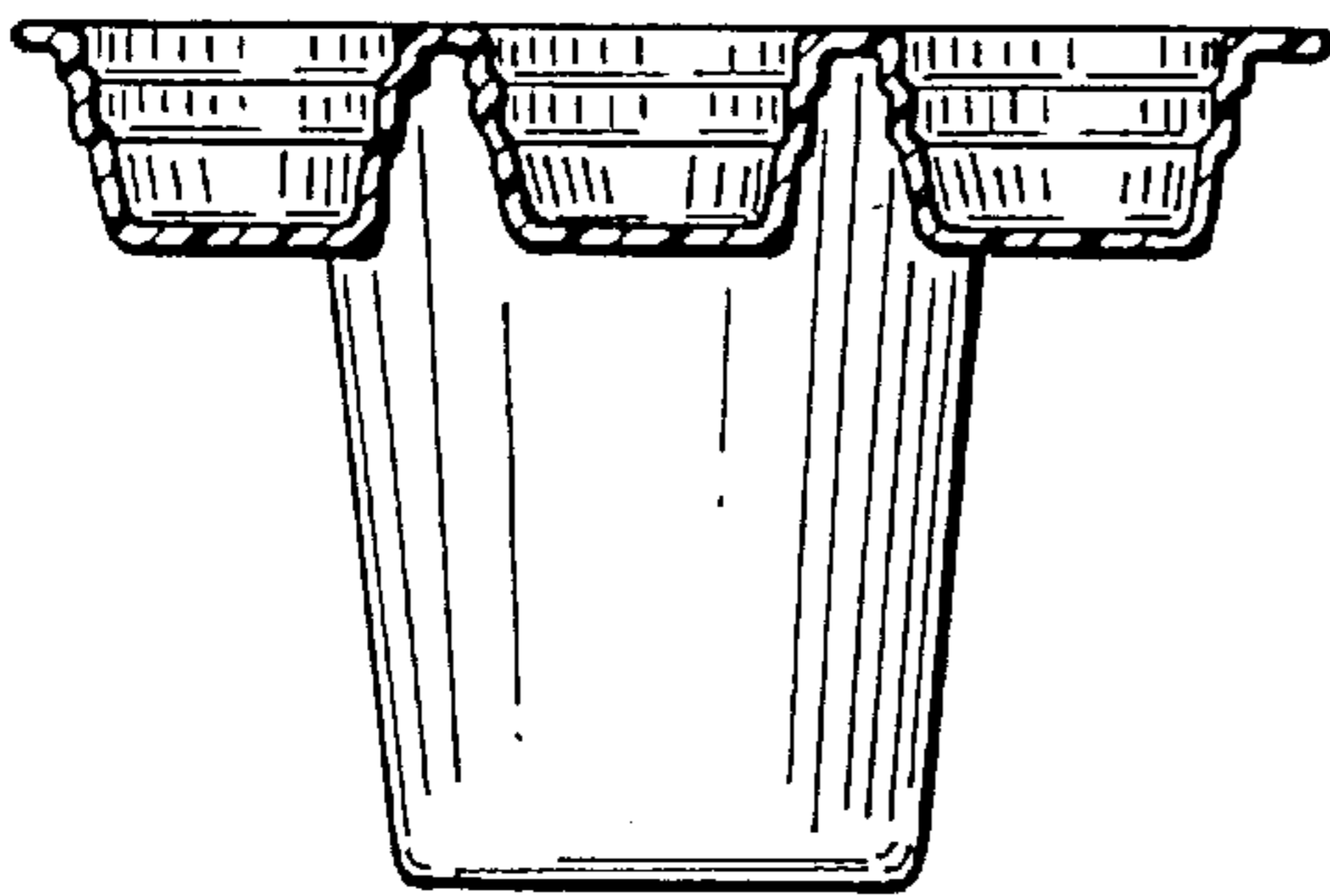


Fig. 5

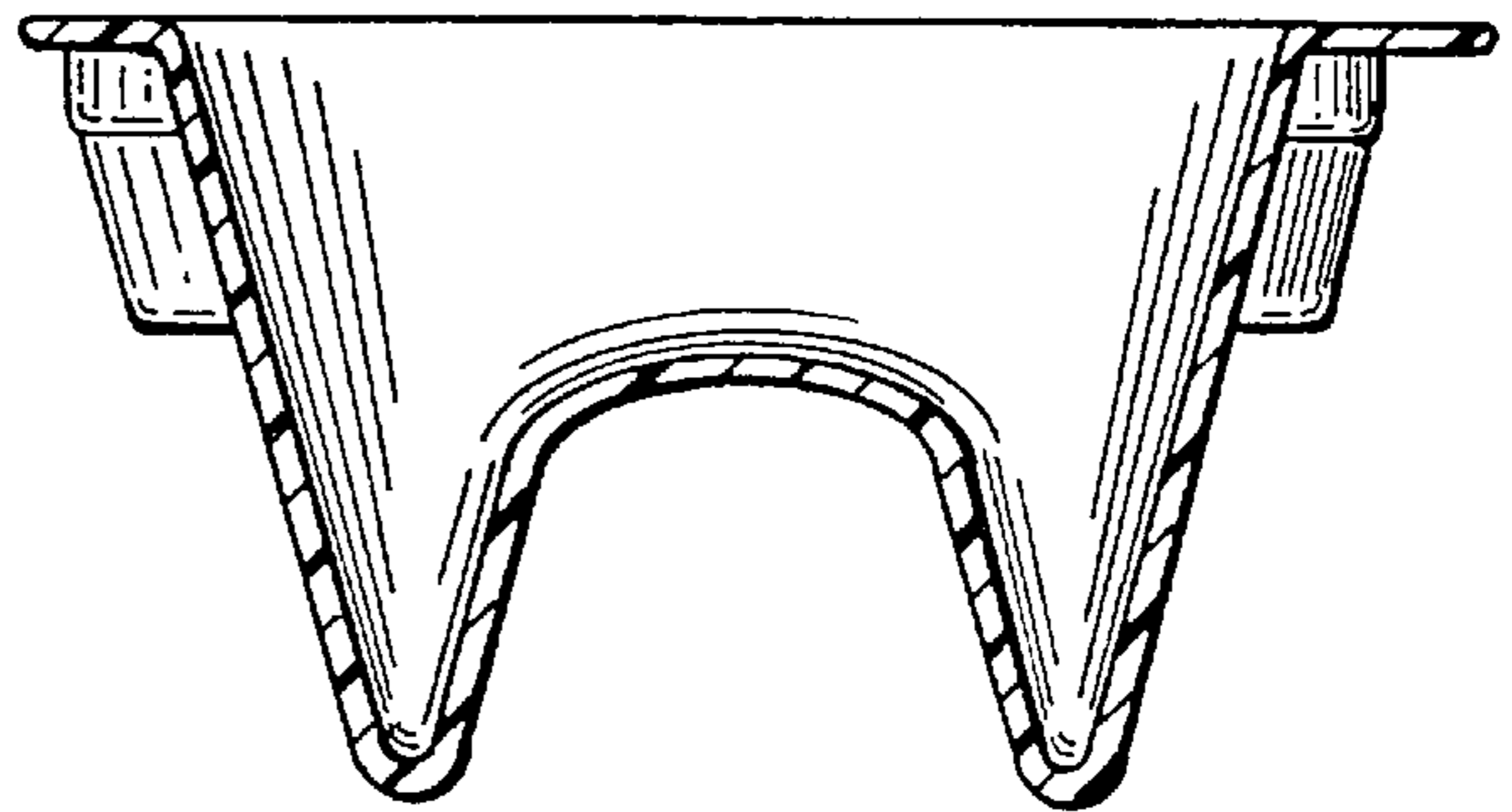


Fig. 7

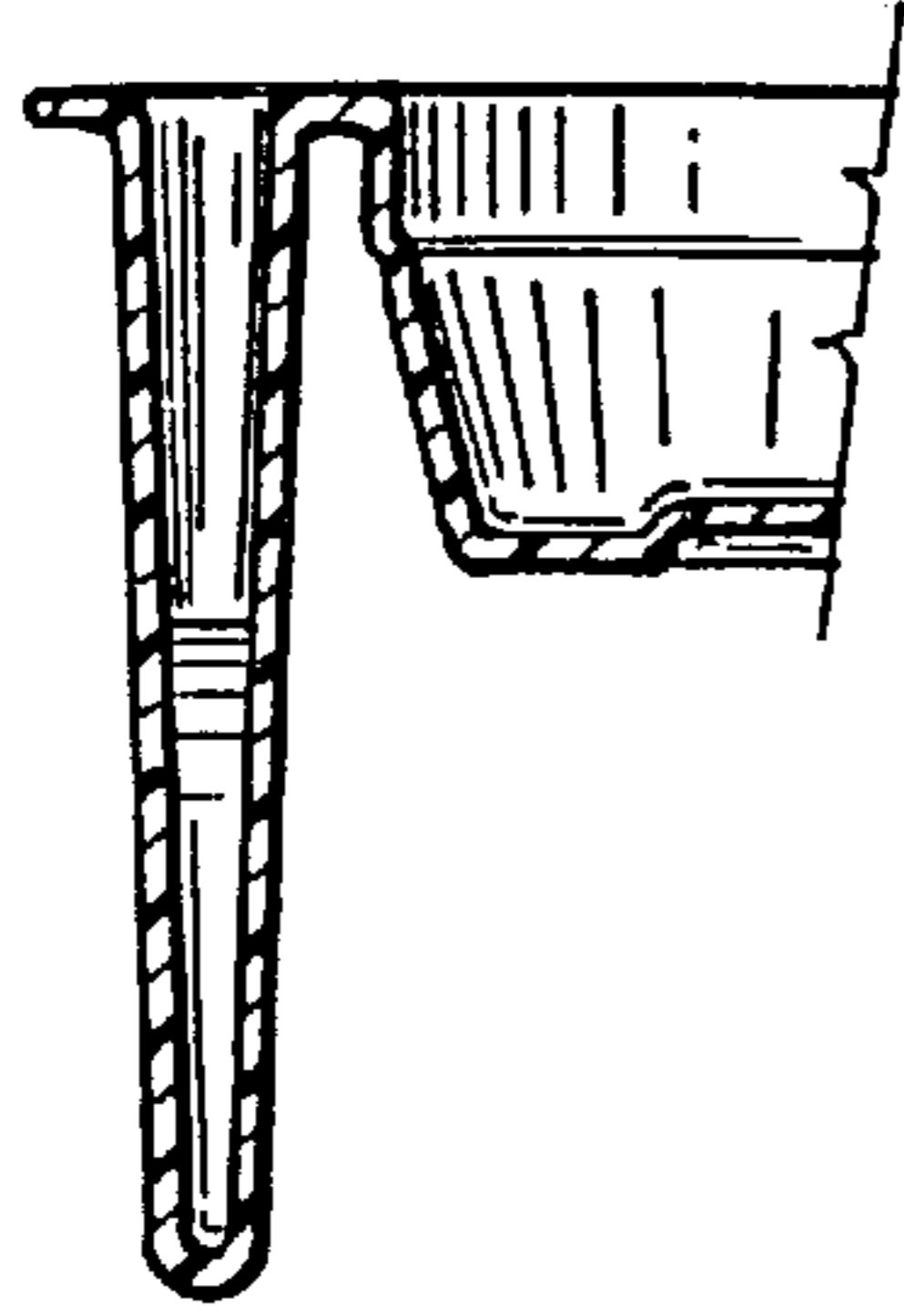


Fig. 8

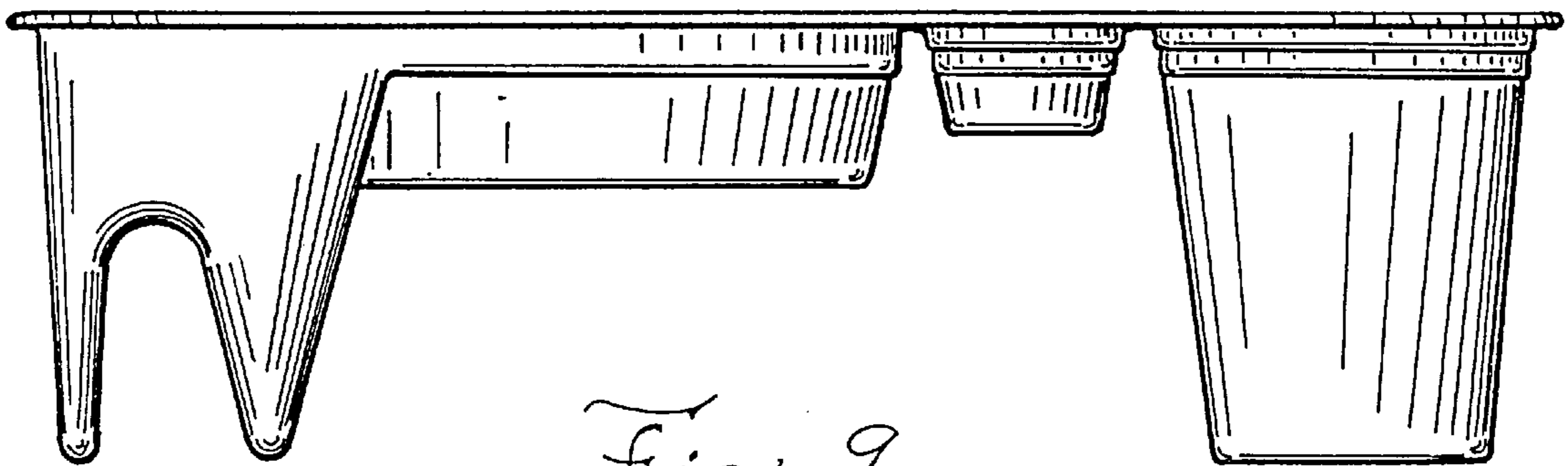


Fig. 9

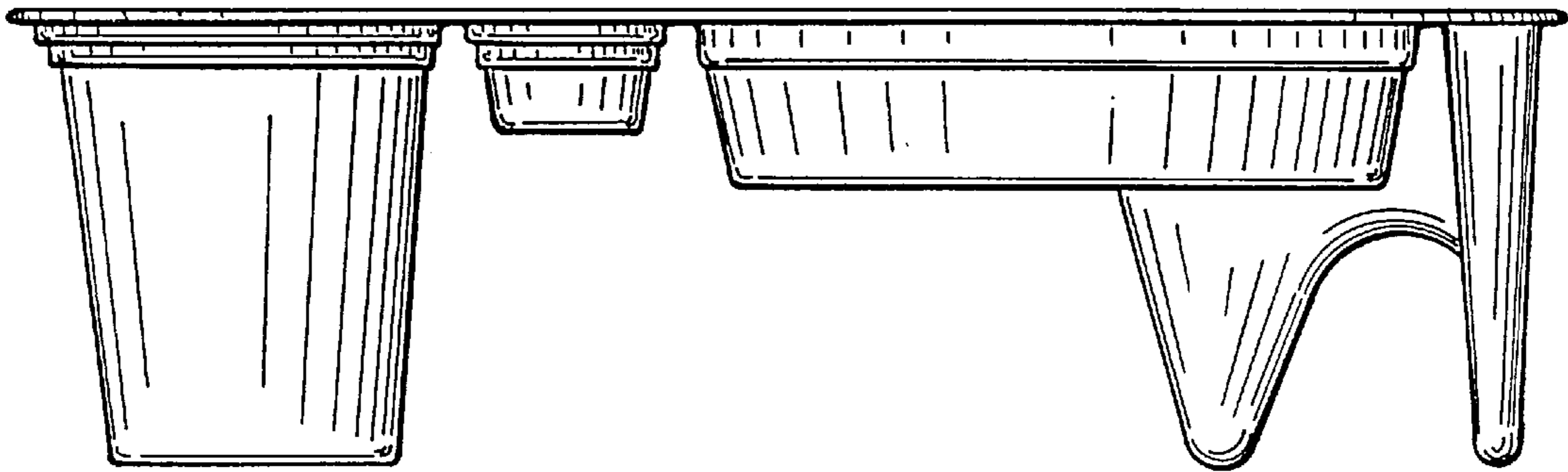


Fig. 10

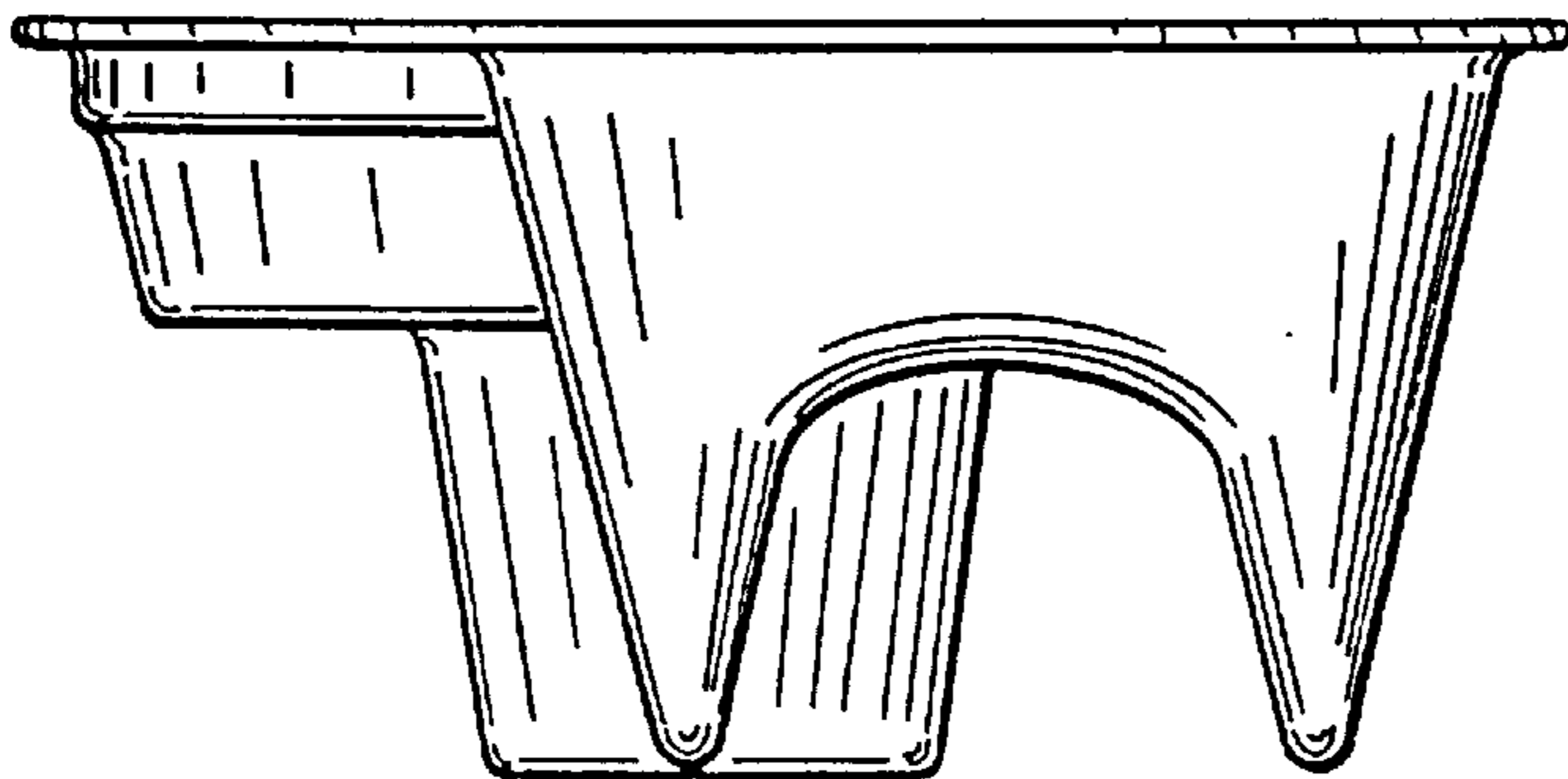
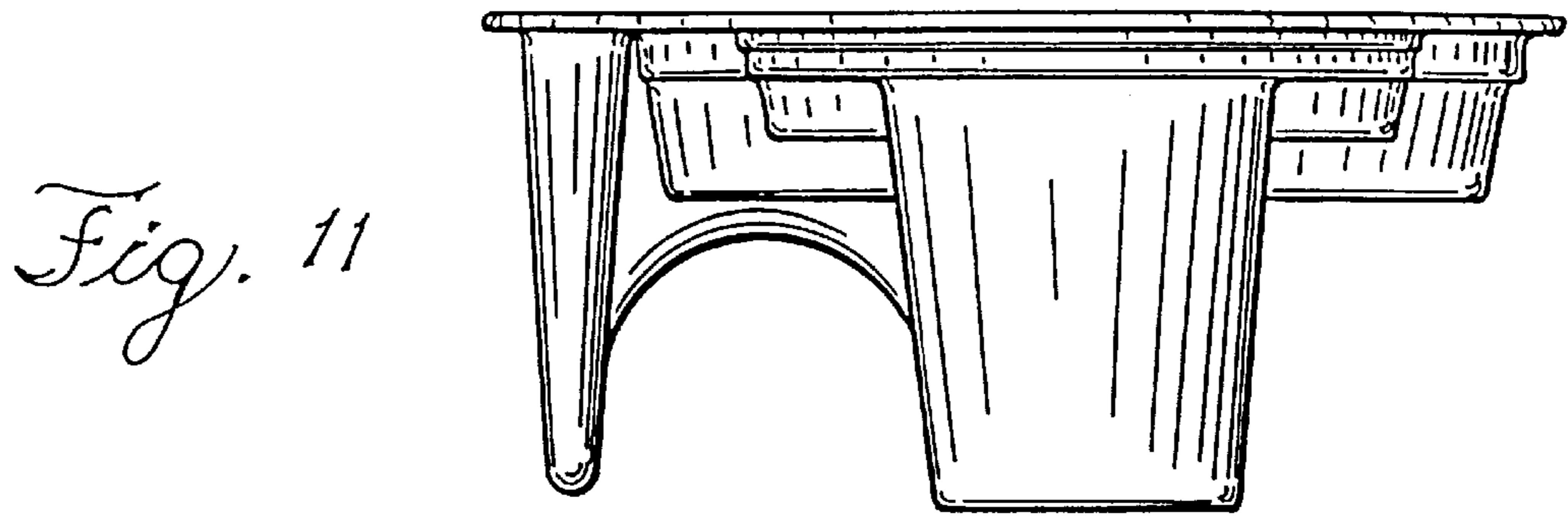


Fig. 12

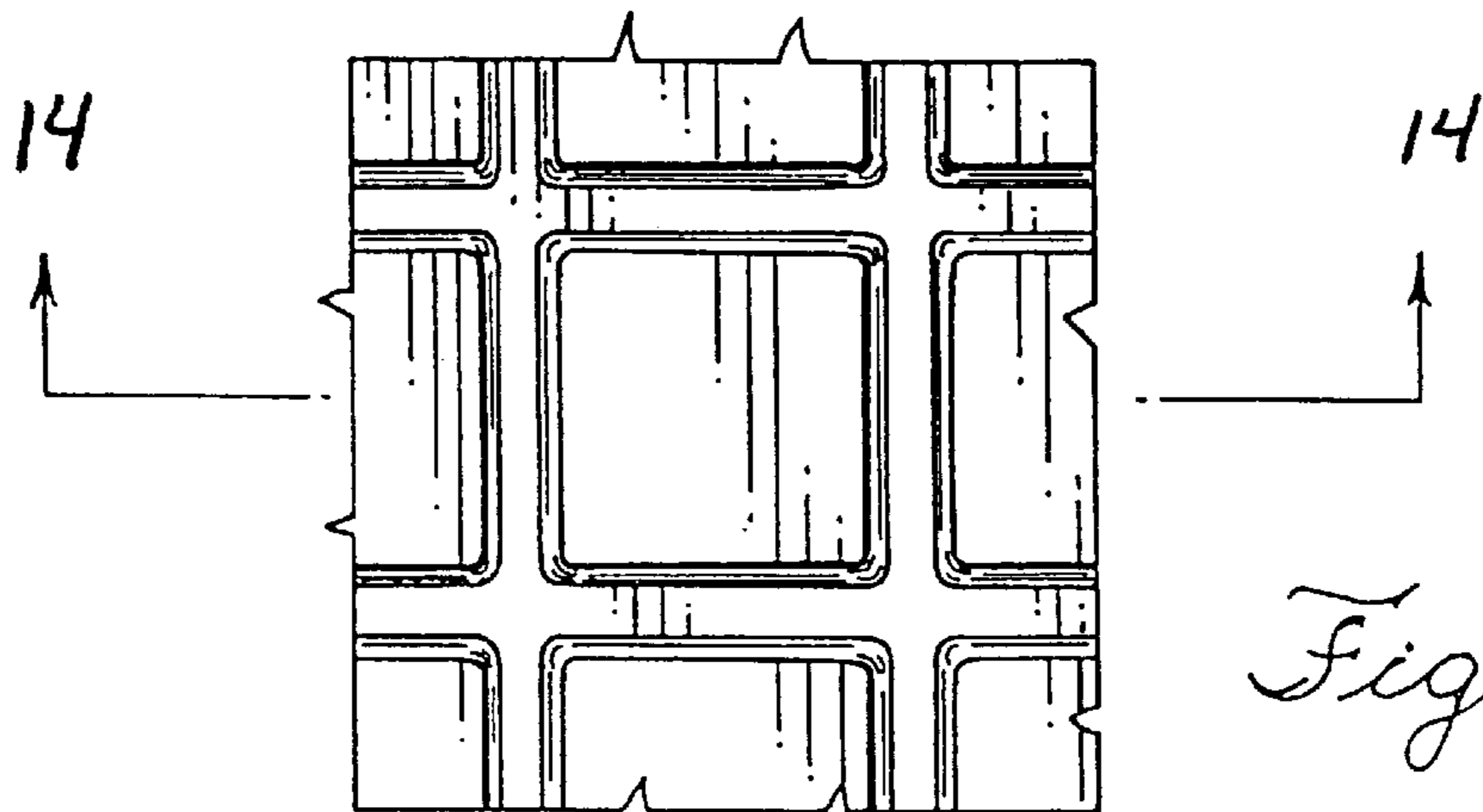


Fig. 13



Fig. 14

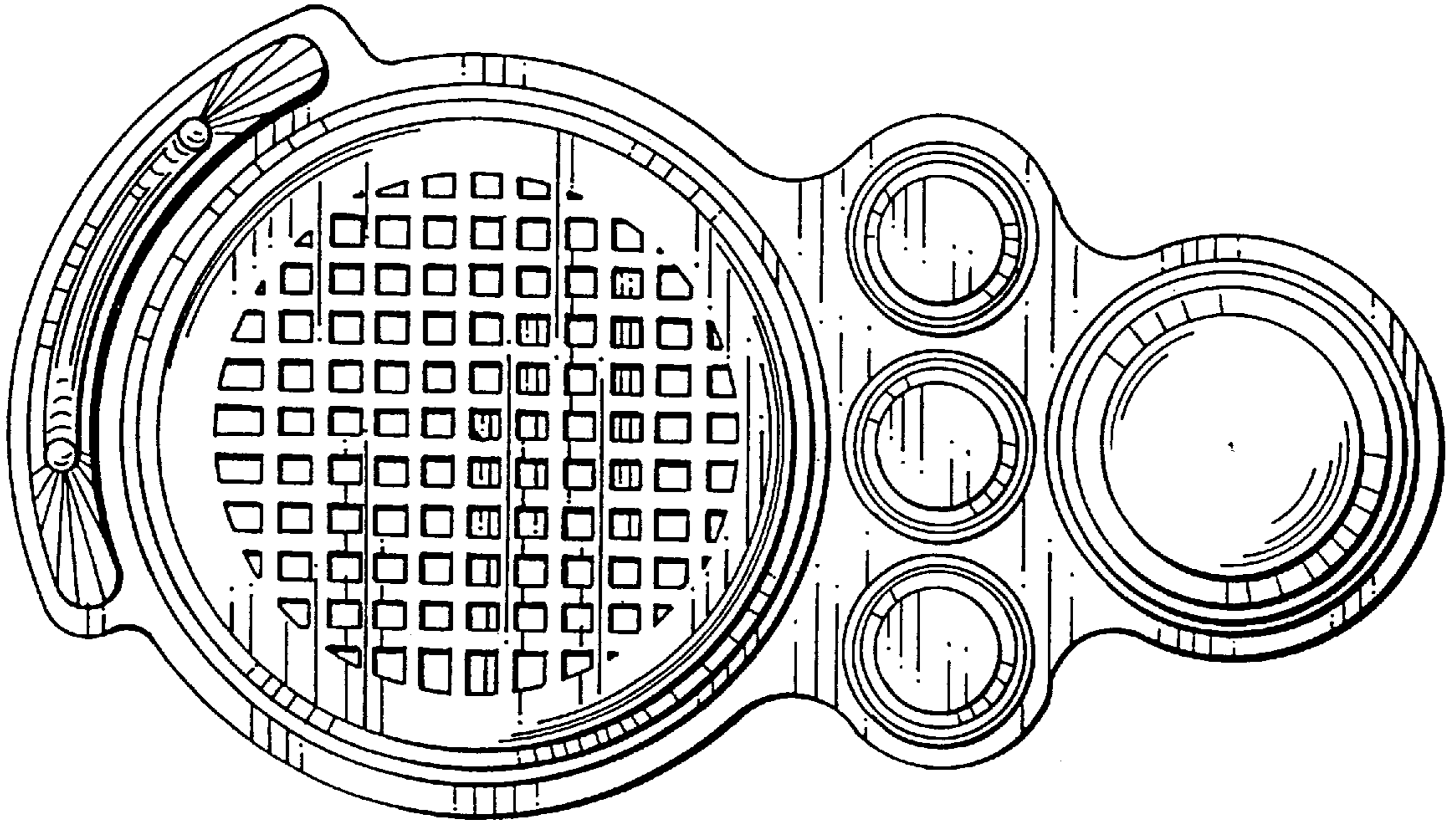


Fig. 15