



US00D398478S

United States Patent [19]
Spencer

[11] **Patent Number: Des. 398,478**

[45] **Date of Patent: **Sep. 22, 1998**

[54] **BEVERAGE BOTTLE**

[76] Inventor: **Richard Randall Spencer**, 12612
Metate La., Poway, Calif. 92064

[**] Term: **14 Years**

[21] Appl. No.: **77,504**

[22] Filed: **Sep. 29, 1997**

[51] **LOC (6) Cl.** **07-01**

[52] **U.S. Cl.** **D7/510; D7/511; D7/523**

[58] **Field of Search** D9/510, 511, 509,
D9/507, 619, 620, 515, 523, 530, 532,
545, 539; 220/703, 705, 717, 709, 713,
737, 739, 625

[56] **References Cited**

U.S. PATENT DOCUMENTS

- D. 337,274 7/1993 Thatcher D9/539
- D. 339,503 9/1993 Callaway D7/510
- D. 346,801 5/1994 Traina D7/510 X

- D. 350,672 9/1994 Egger et al. D7/510
- D. 351,313 10/1994 Giard, Jr. D7/510
- D. 356,231 3/1995 Peyton, Jr. D7/510
- D. 358,296 5/1995 Garneau D7/510
- D. 358,964 6/1995 Foster et al. D7/510
- D. 361,922 9/1995 Van Dyk D7/510
- D. 367,206 2/1996 Green D7/510
- D. 370,828 6/1996 Green D7/510
- D. 391,448 3/1998 Winer et al. D7/510
- 5,545,315 8/1996 Lonneman D7/510 X

Primary Examiner—M. N. Pandozzi
Attorney, Agent, or Firm—Harris F. Brotman

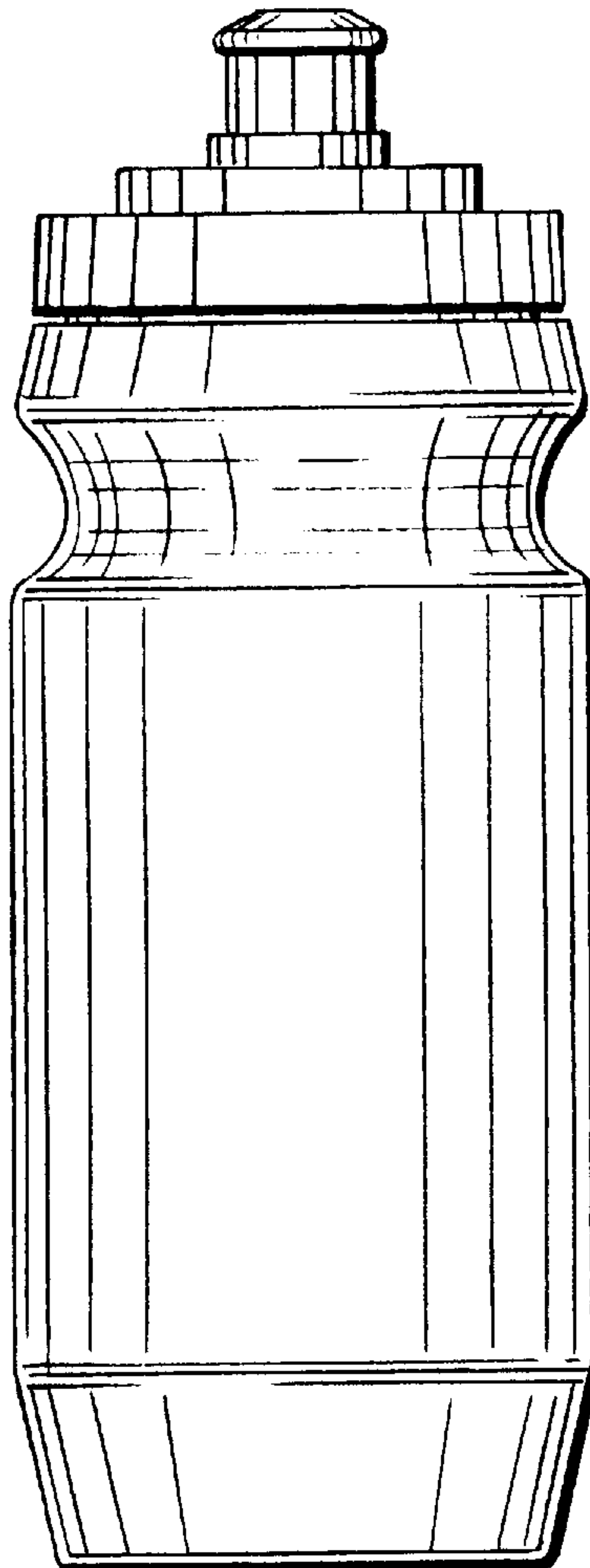
[57] **CLAIM**

The ornamental design for a beverage bottle, as shown.

DESCRIPTION

FIG. 1 is a perspective view of the beverage bottle;
FIG. 2 is a planar view of the beverage bottle;
FIG. 3 is a top view of the beverage bottle; and,
FIG. 4 is a bottom view of the beverage bottle.

1 Claim, 1 Drawing Sheet



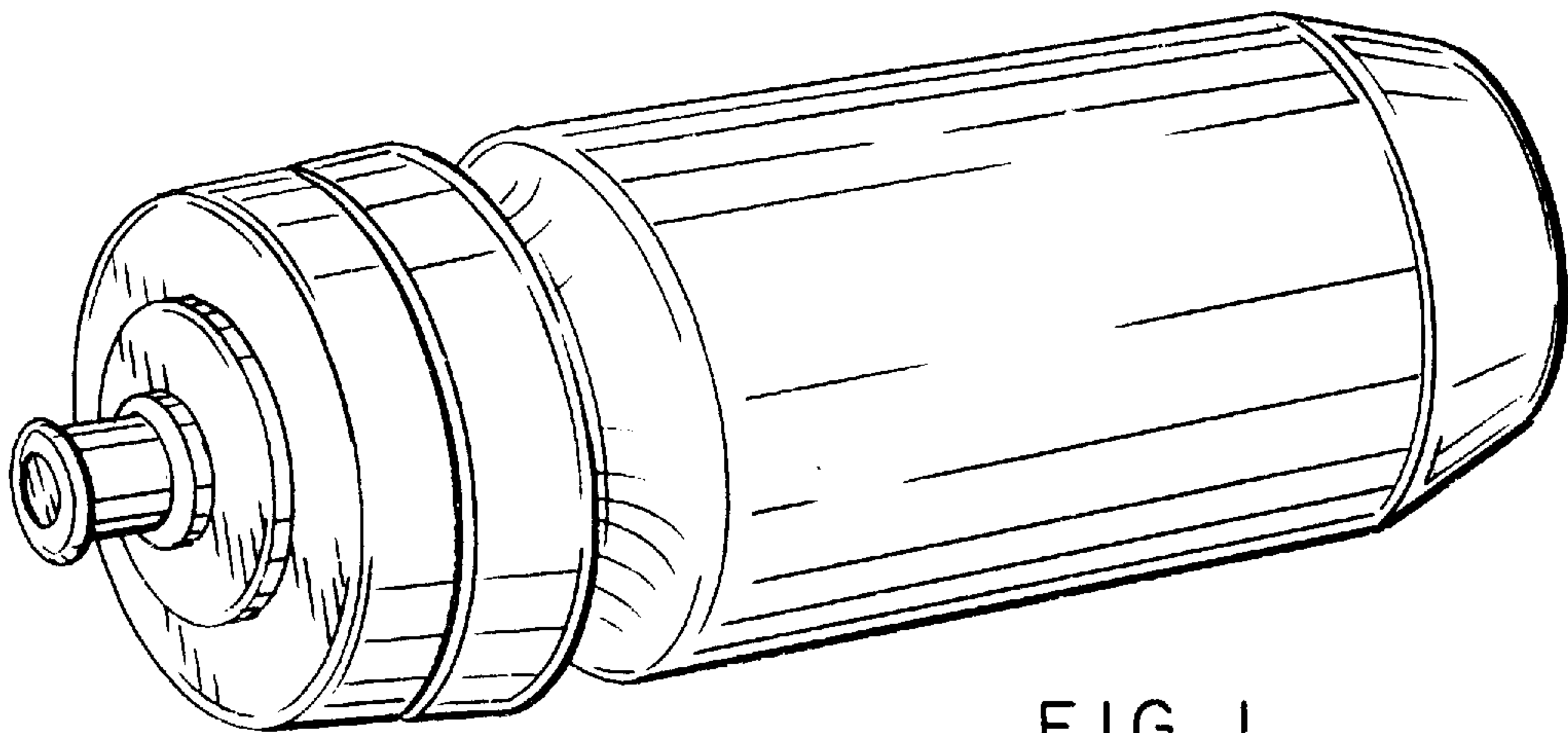


FIG. 1

FIG. 2

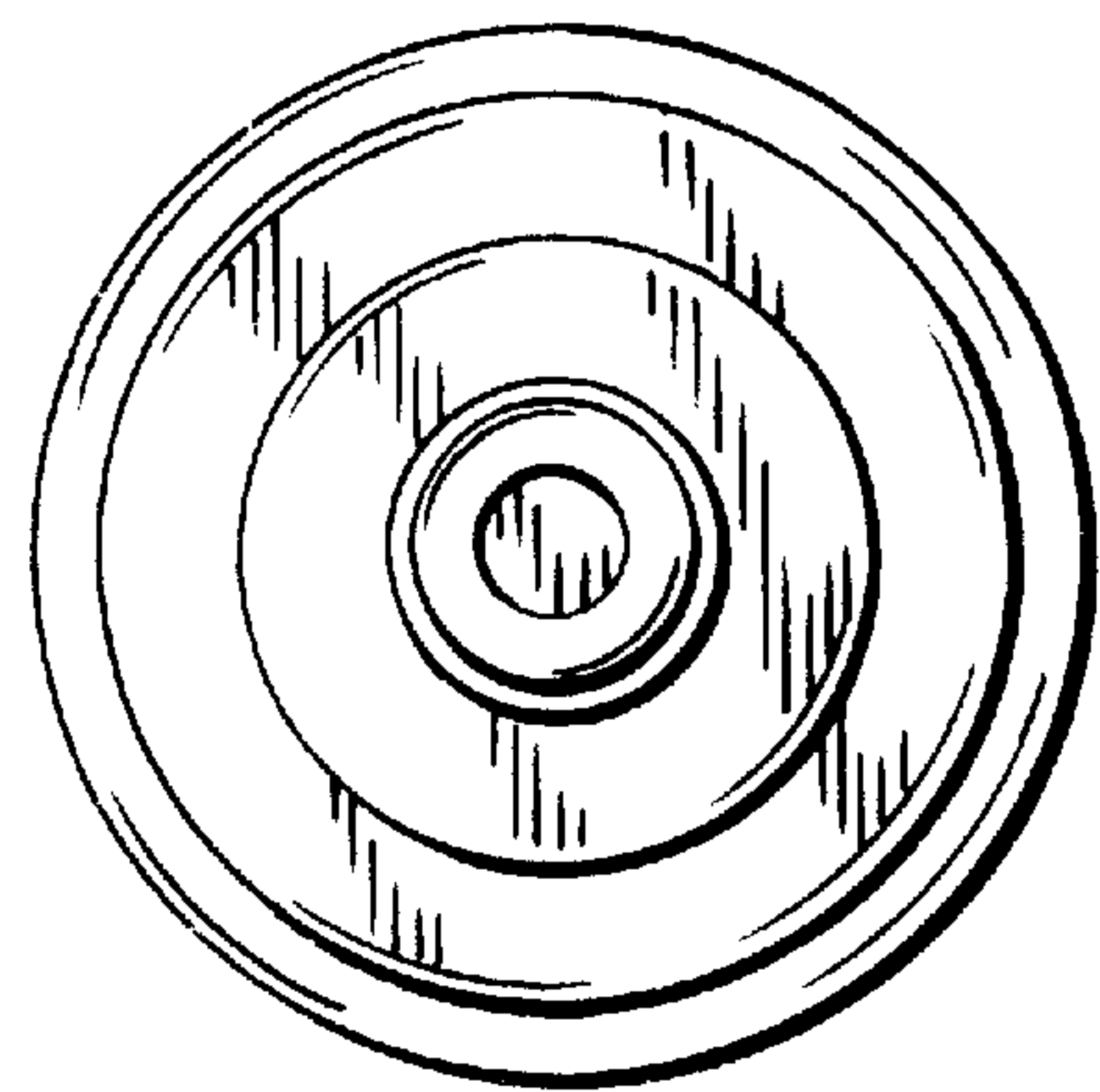
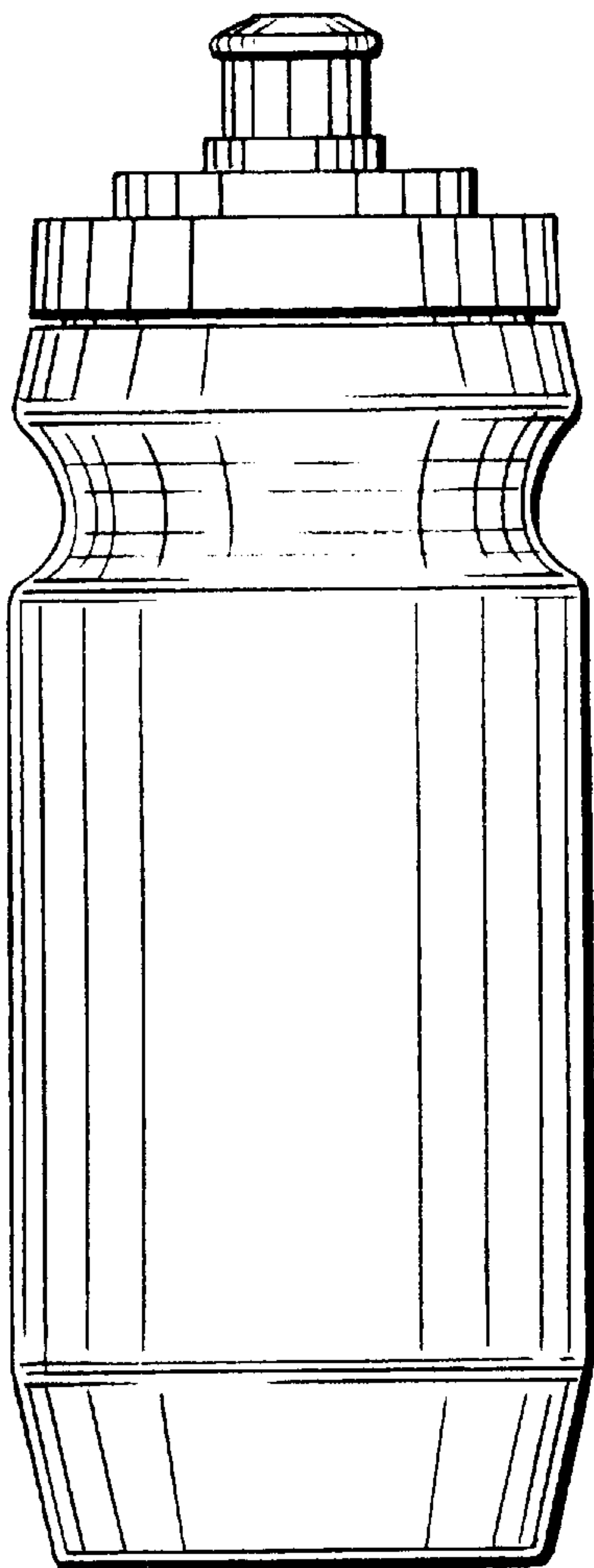


FIG. 3

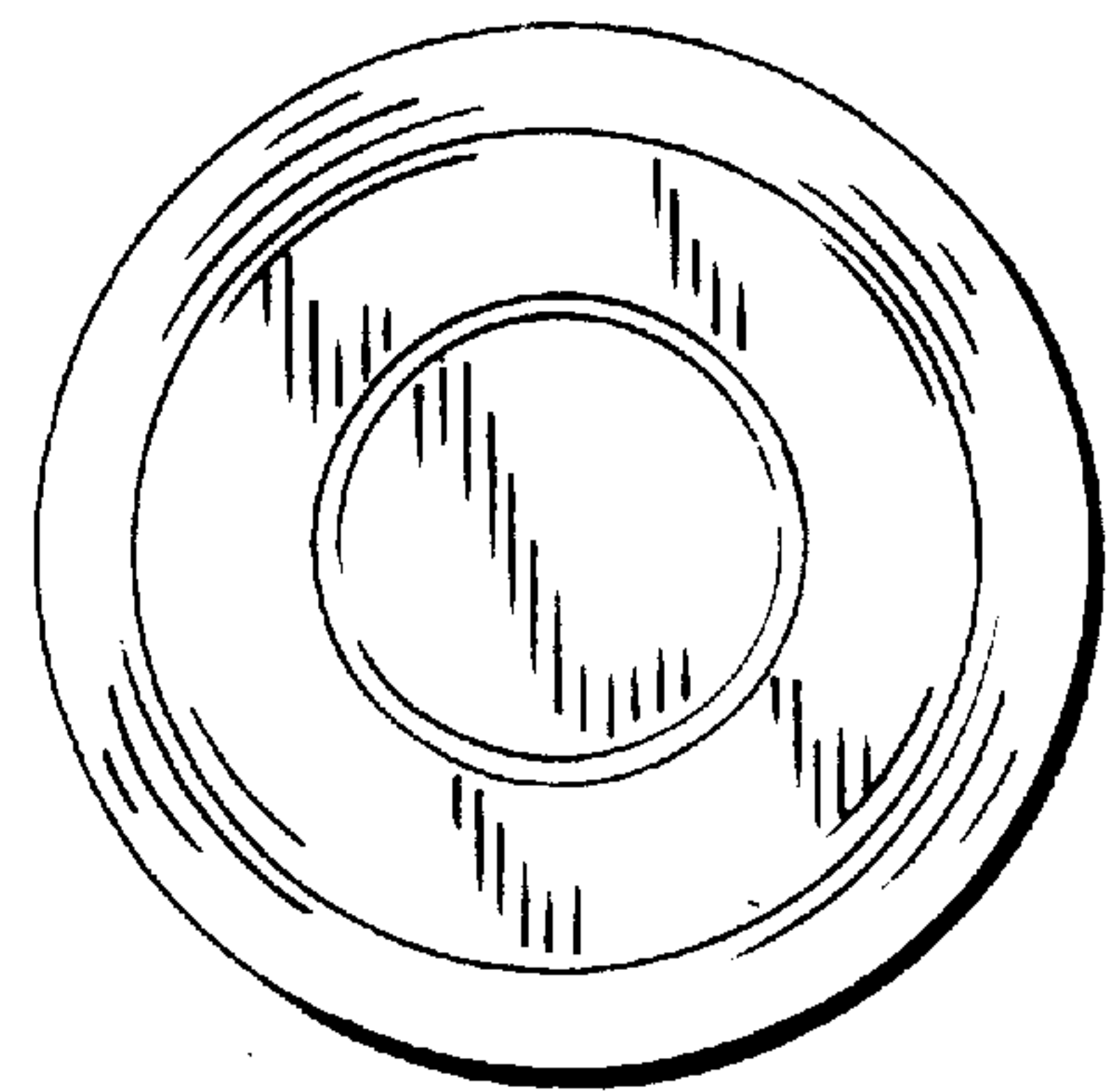


FIG. 4