



US00D398474S

United States Patent [19]

Wagner

[11] Patent Number: **Des. 398,474**

[45] Date of Patent: ****Sep. 22, 1998**

[54] **LIQUID PITCHER WITH SEPARATE FITTED WARMING SYSTEM**

[76] Inventor: **Alfred R. Wagner**, 1432 Progress Dr., Hayden Lake, Id. 83835

[**] Term: **14 Years**

[21] Appl. No.: **80,680**

[22] Filed: **Dec. 11, 1997**

[51] **LOC (6) Cl.** **07-01**

[52] **U.S. Cl.** **D7/305; D7/318**

[58] **Field of Search** D7/305, 326, 300, D7/312, 316, 317, 318, 319, 321, 322, 310; 220/475, 756; 272/472

[56] **References Cited**

U.S. PATENT DOCUMENTS

- D. 293,871 1/1988 Turner et al. D7/318
- D. 350,454 9/1994 Wong D7/318 X

- D. 370,588 6/1996 Brookshire et al. D7/300
- D. 374,369 10/1996 Wilkinson D7/305
- 2,079,611 5/1937 Harvey D7/326 X

Primary Examiner—M. N. Pandozzi

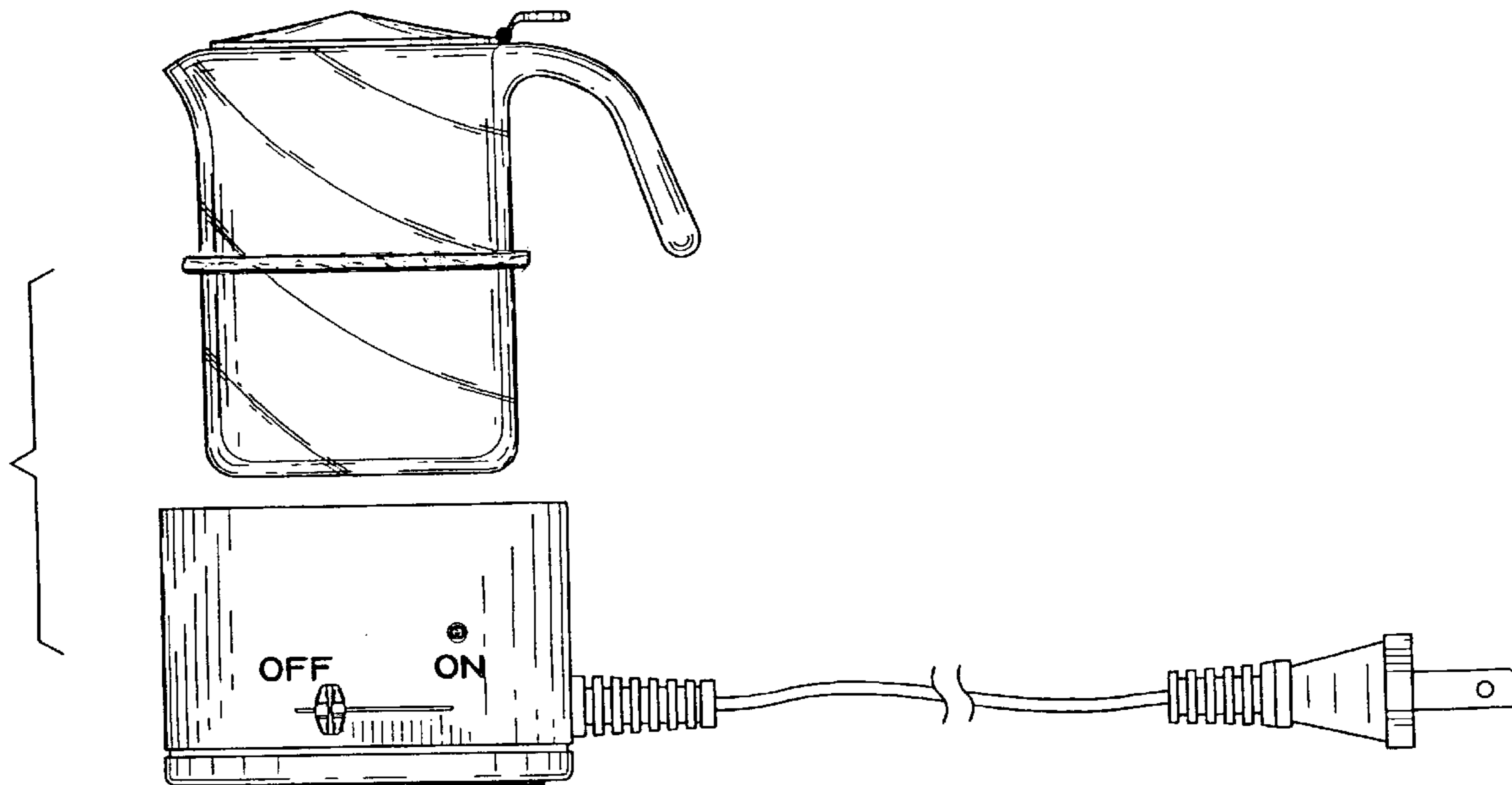
[57] **CLAIM**

The ornamental design for a liquid pitcher with separate fitted warming system, as shown.

DESCRIPTION

FIG. 1 is a front elevational view of a liquid pitcher with separate fitted warming system;
 FIG. 2 is a rear elevational view thereof;
 FIG. 3 is a left side elevational view thereof;
 FIG. 4 is a right side elevational view thereof;
 FIG. 5 is a top plan view of the liquid pitcher with separate fitted warming system of FIG. 1; and,
 FIG. 6 is a bottom plan view of the liquid pitcher with separate fitted warming system of FIG. 1.

1 Claim, 3 Drawing Sheets



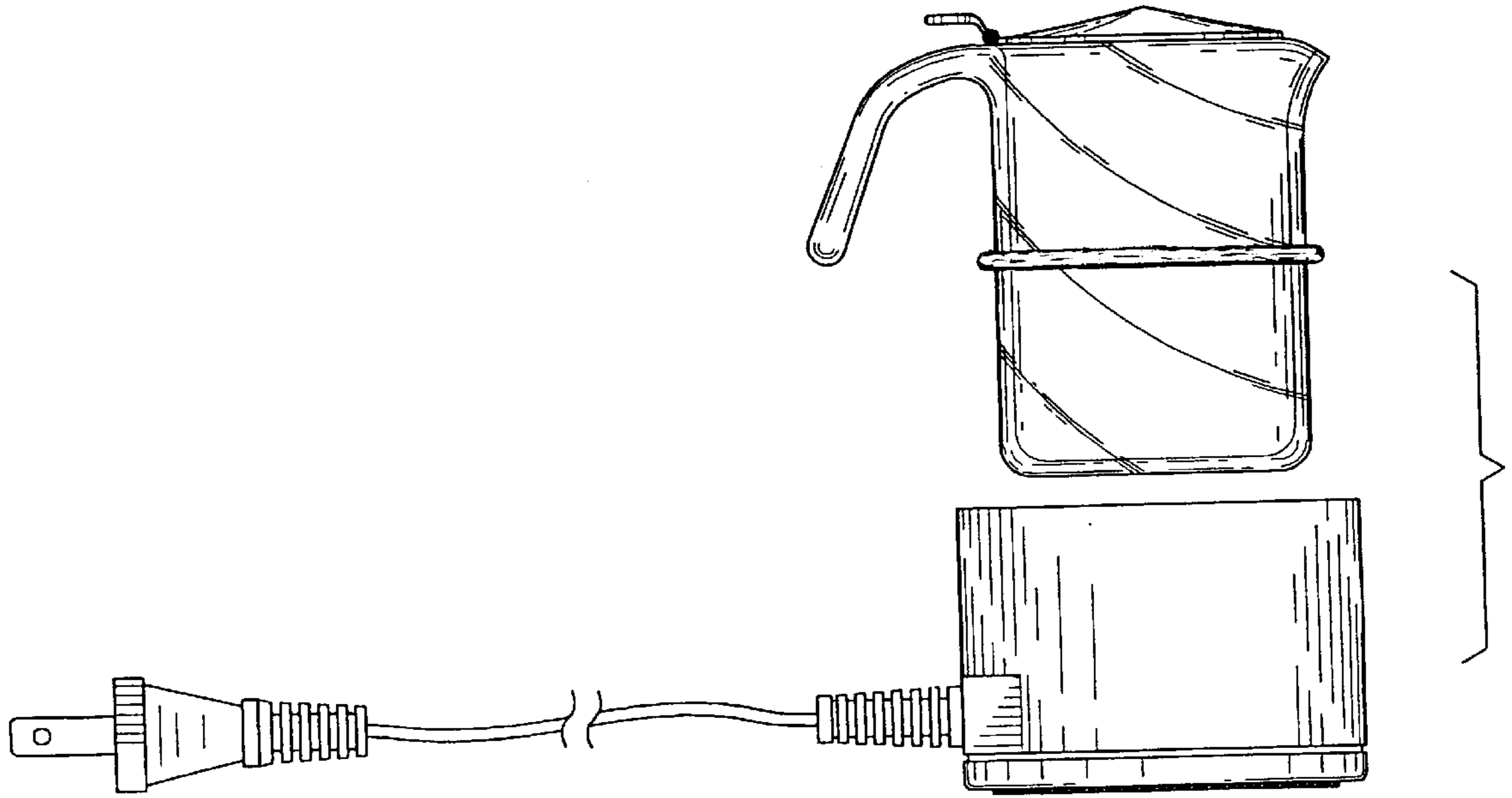


Fig. 2

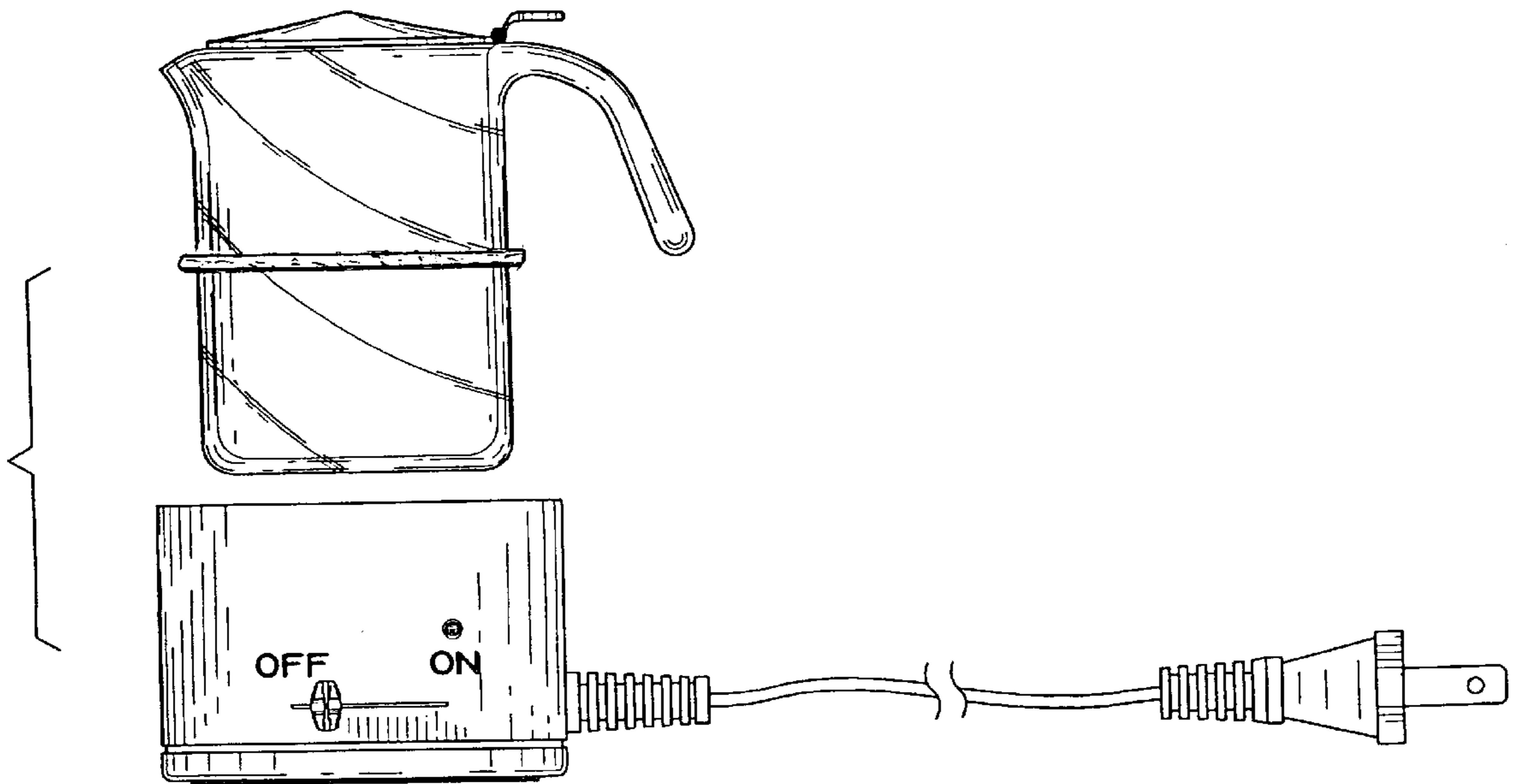


Fig. 1

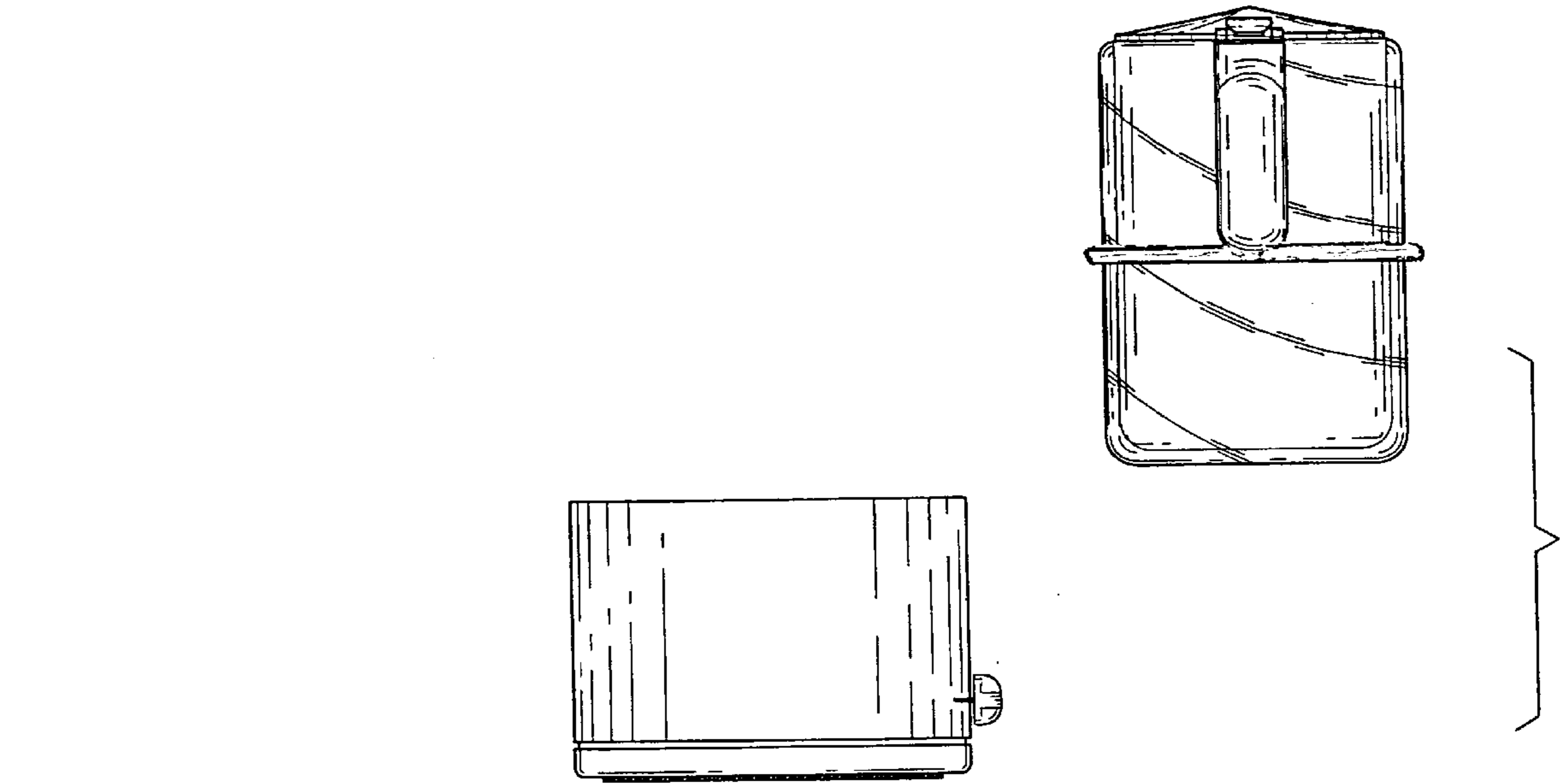


Fig. 4

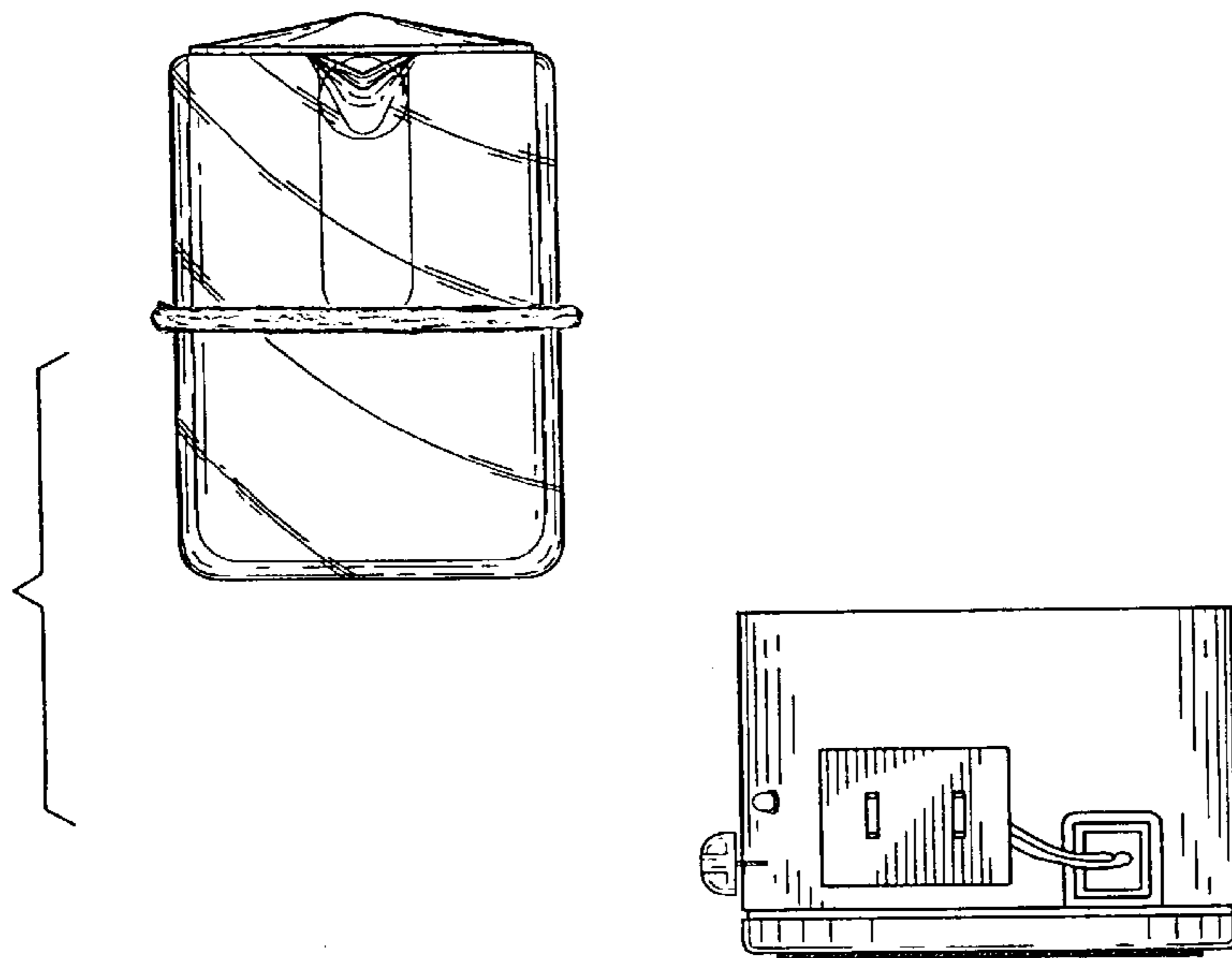


Fig. 3

