



US00D398472S

United States Patent [19]

Worrell et al.

[11] **Patent Number: Des. 398,472**

[45] **Date of Patent: **Sep. 22, 1998**

[54] **MULTI MEDIA AND DOCUMENT STORAGE CABINET**

[75] Inventors: **W. Robert Worrell**, Hopkins; **Jeffrey B. Waffensmith**, Robinsdale, both of Minn.

[73] Assignee: **Fellowes Manufacturing Company**, Itasca, Ill.

[**] Term: **14 Years**

[21] Appl. No.: **64,947**

[22] Filed: **Jan. 15, 1997**

[51] **LOC (6) Cl. 06-04**

[52] **U.S. Cl. D6/632; D6/432**

[58] **Field of Search** D6/432, 632, 448, D6/511, 509, 510, 407, 627; D9/432; D19/75; D3/273-275; 206/372, 349, 425, 373, 503, 508, 509, 63.5; 312/330.1, 348.1, 348.3, 261, 333, 111; 211/194, 41.12; 220/4.26, 4.28, 4.29, 500, 23.83

[56] **References Cited**

U.S. PATENT DOCUMENTS

D. 321,999 12/1991 Hasuike D6/446

D. 352,859 11/1994 Kirchner et al. D6/627
D. 365,224 12/1995 Pohlman D6/445
D. 370,572 6/1996 Lin D6/446
D. 371,962 7/1996 Petruzzi D9/432 X
5,246,105 9/1993 Eykmann et al. 206/63.5
5,603,559 2/1997 Yemini 312/333

Primary Examiner—James Gandy
Assistant Examiner—Linda Brooks
Attorney, Agent, or Firm—Brinks Hofer Gilson & Lione

[57] **CLAIM**

The ornamental design for a multi media and document storage cabinet, as shown and described.

DESCRIPTION

FIG. 1 is a perspective view of a multi media and document storage cabinet showing our new design;
FIG. 2 is a front elevational view of FIG. 1;
FIG. 3 is a top plan view of FIG. 2;
FIG. 4 is a right side elevational view of FIG. 3, the opposite side being a mirror image thereof;
FIG. 5 is a bottom plan view of FIG. 3; and,
FIG. 6 is a rear elevational view of FIG. 3.

1 Claim, 3 Drawing Sheets

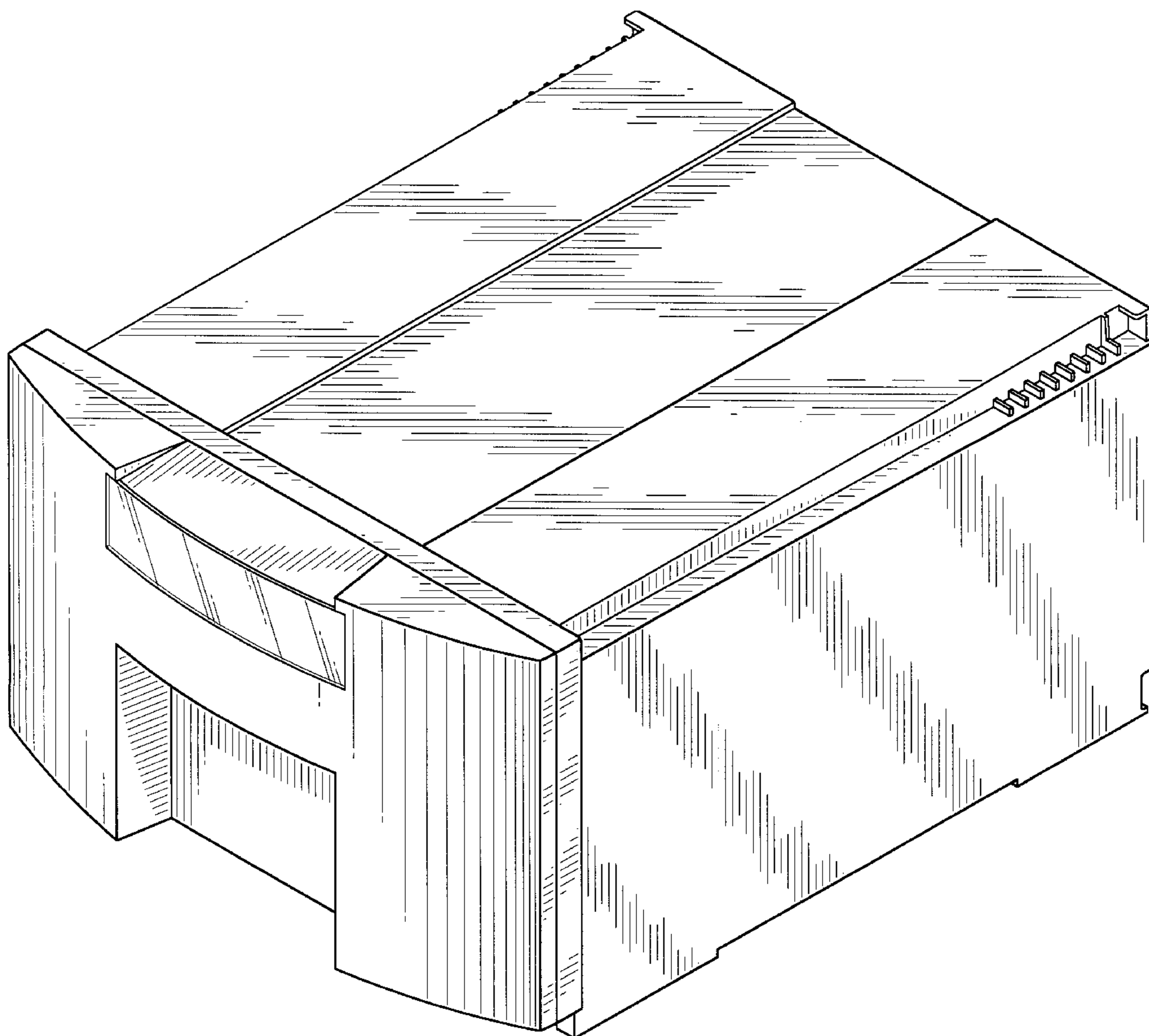


FIG-1

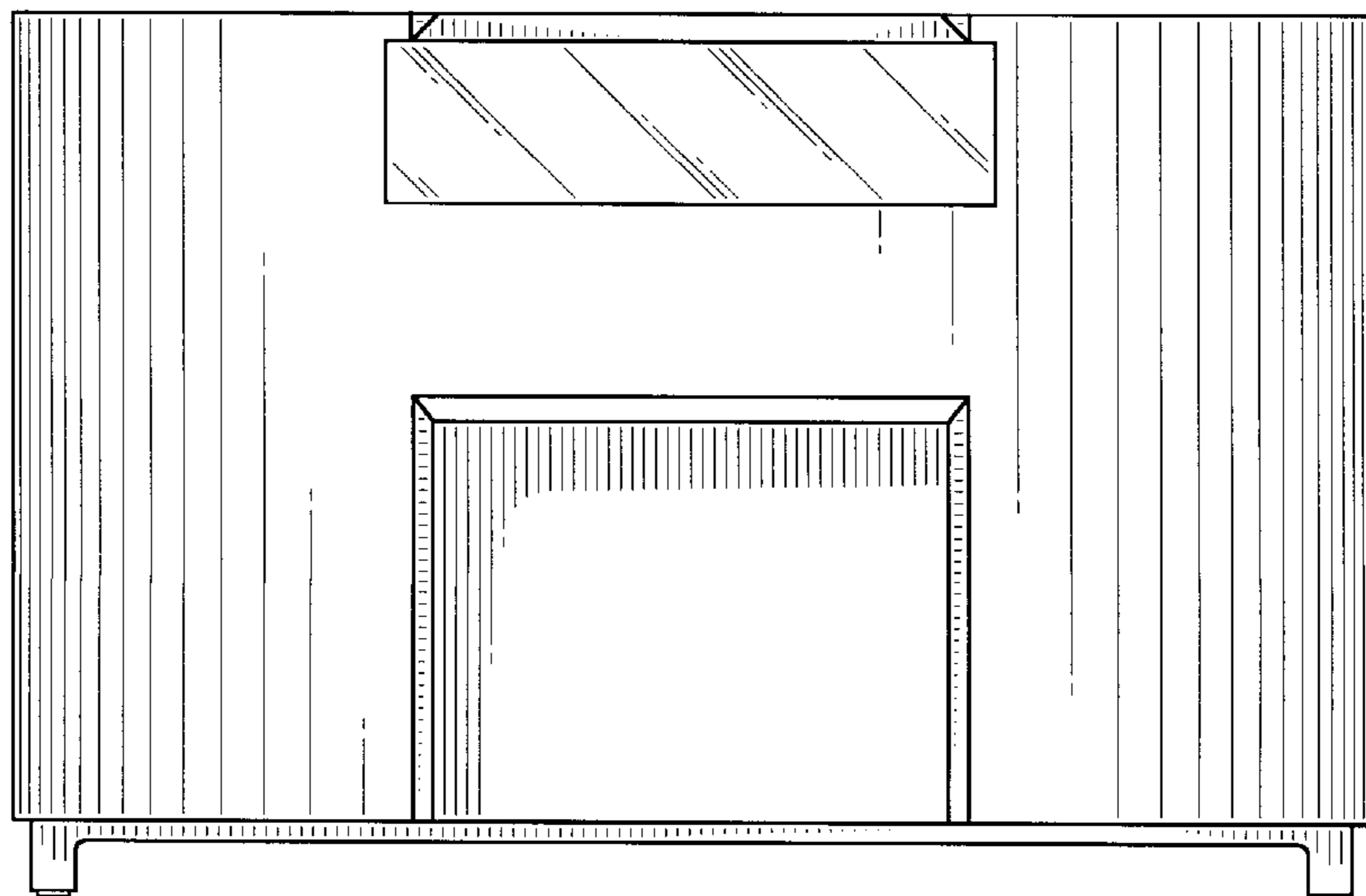
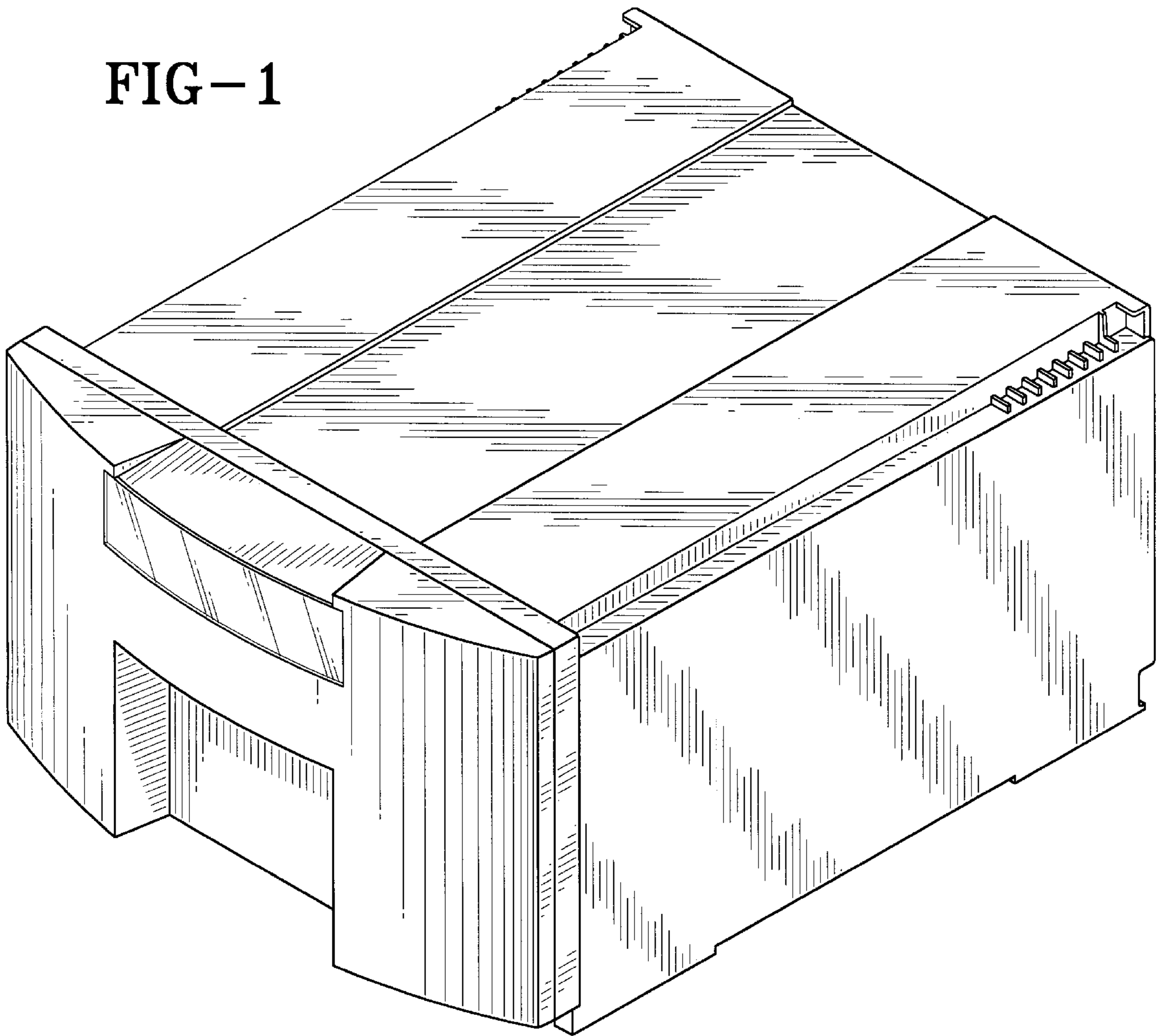


FIG-2

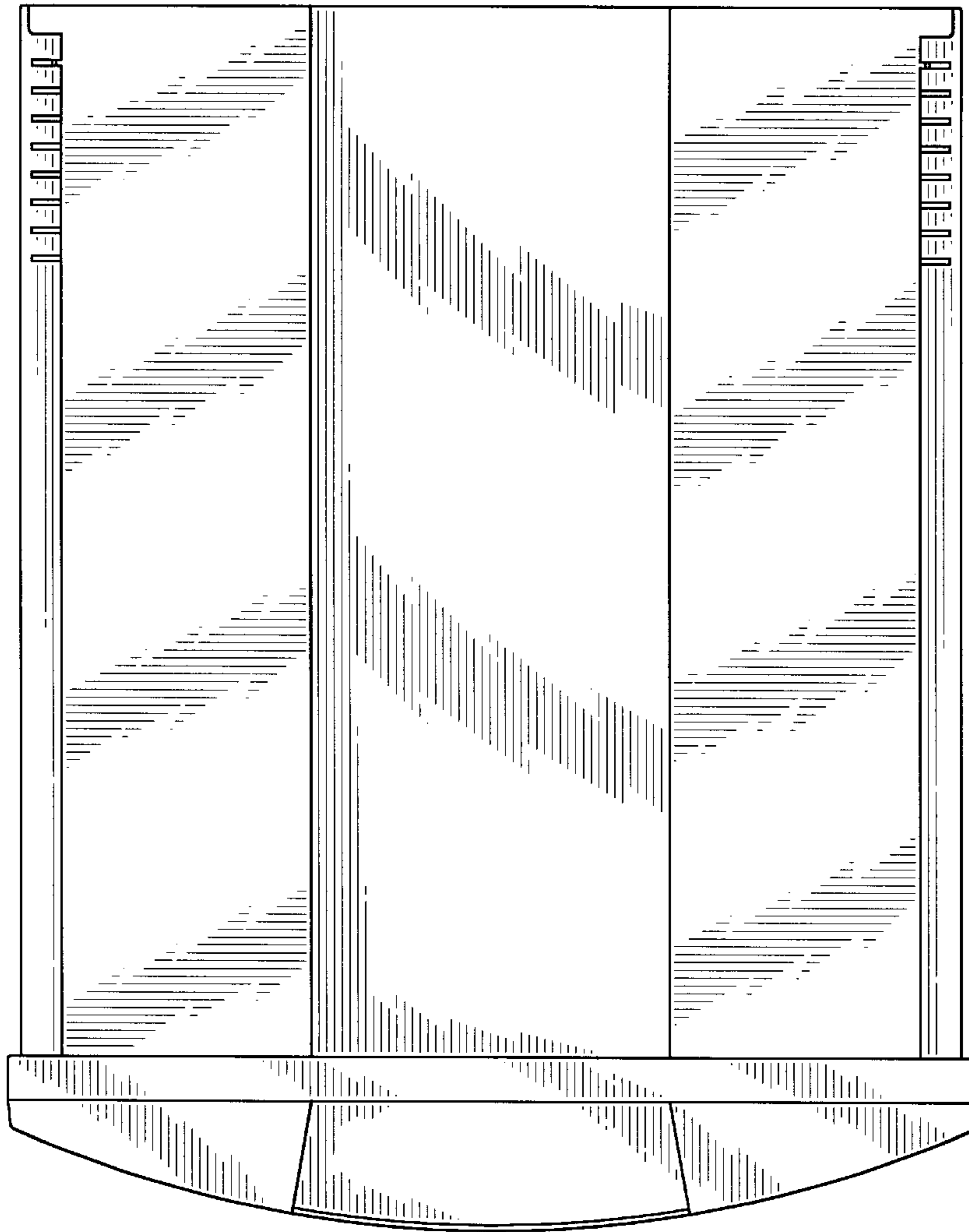


FIG-3

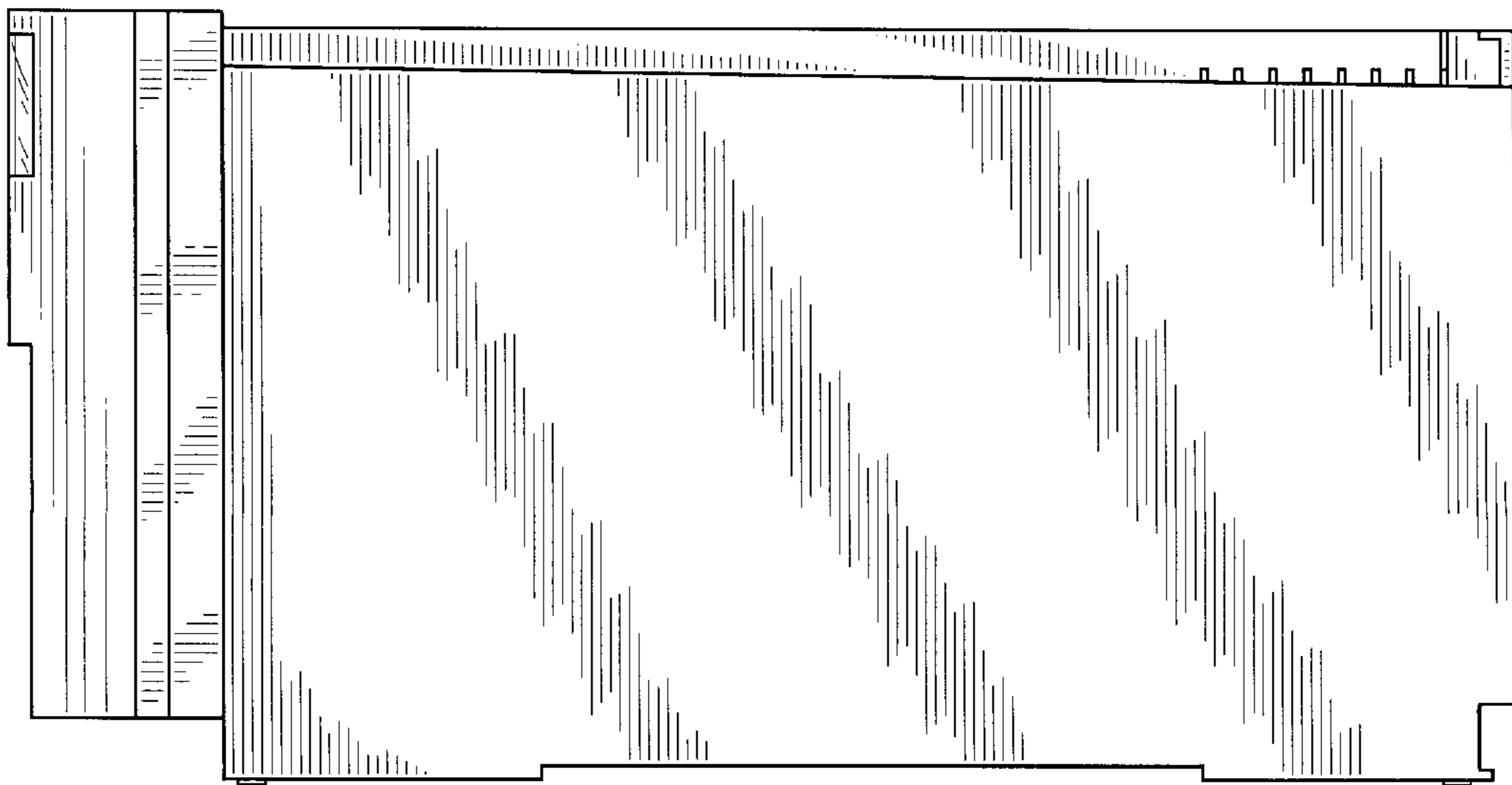


FIG-4

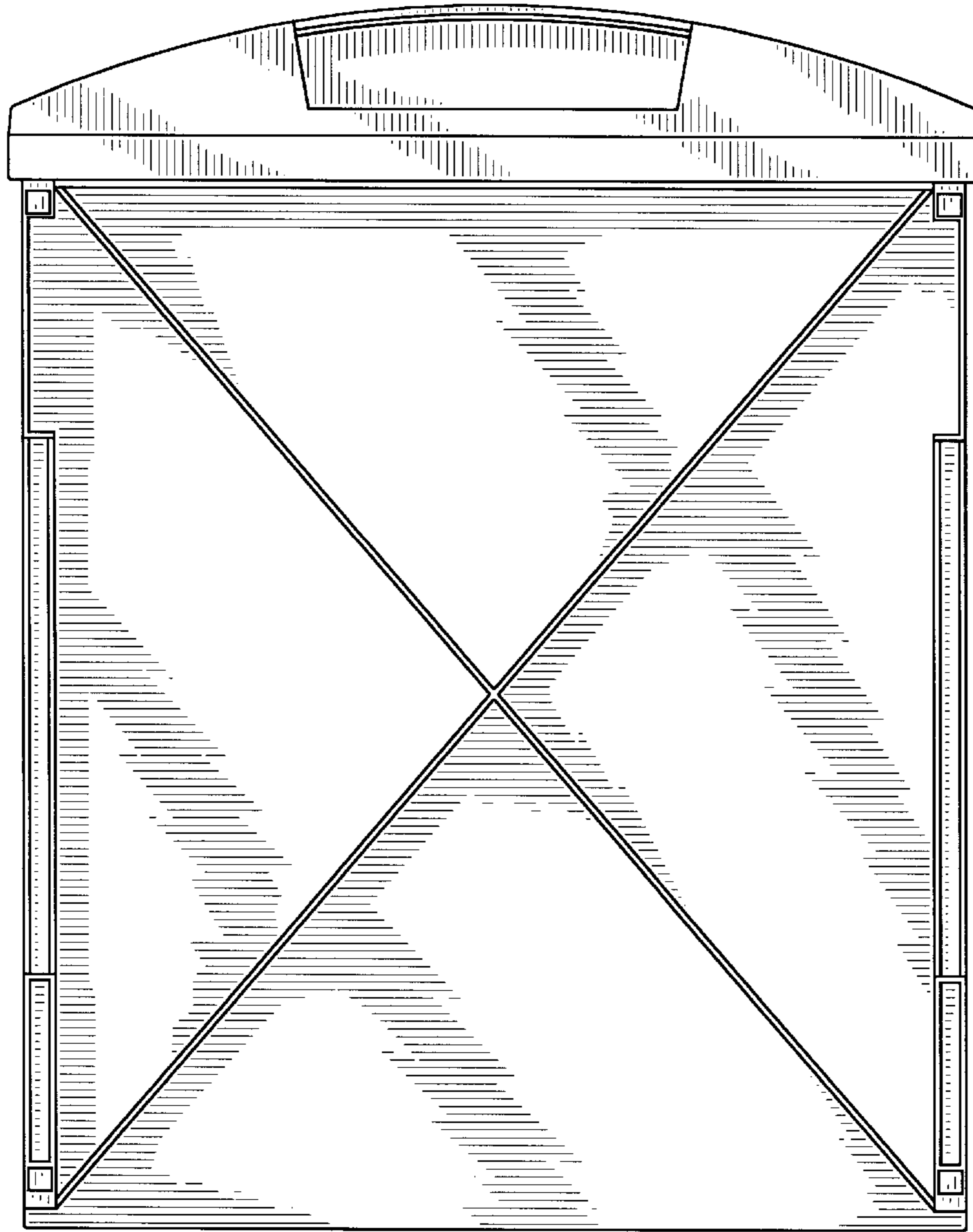


FIG-5

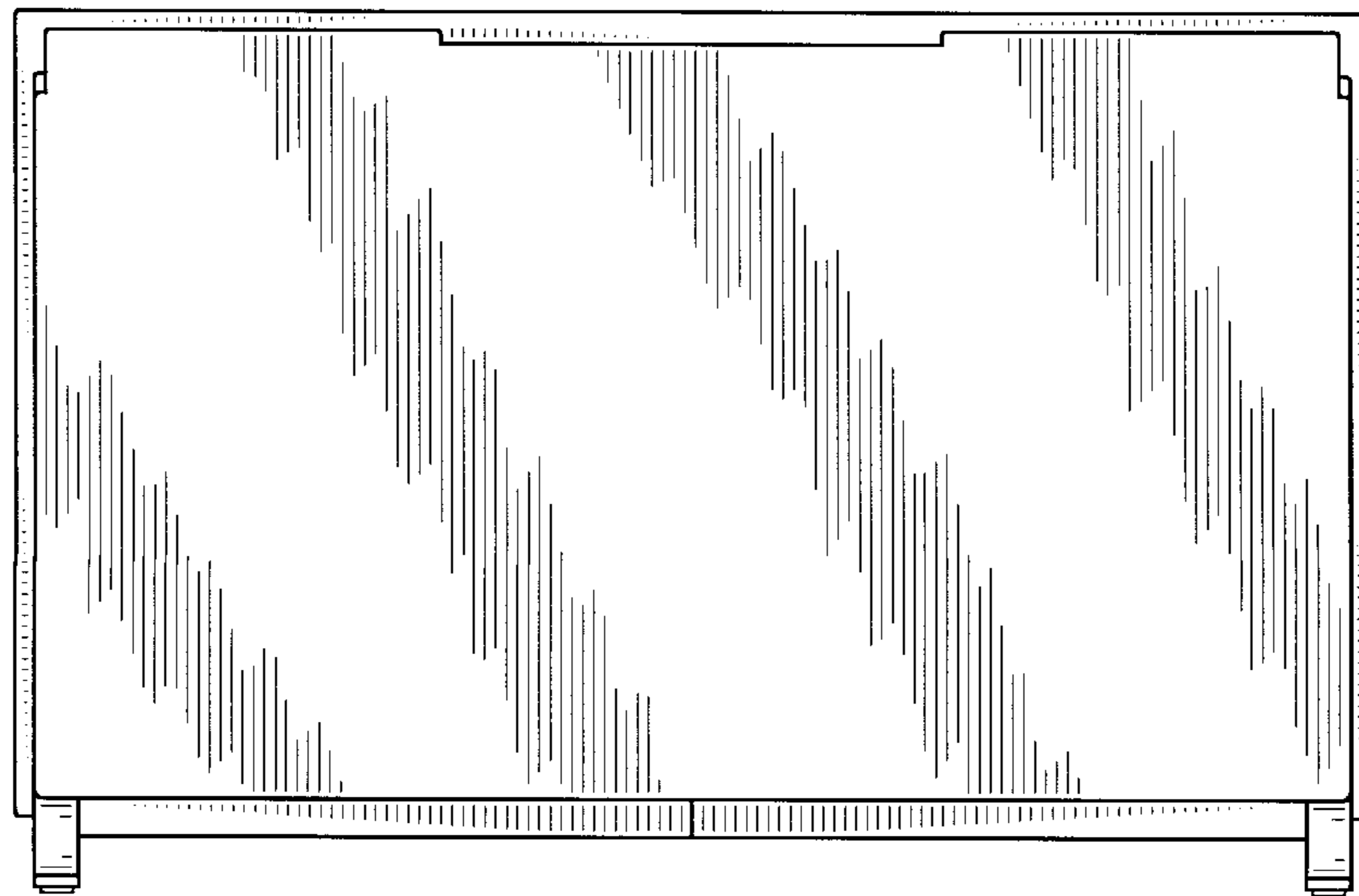


FIG-6