



US00D398471S

United States Patent [19] Malik

[11] **Patent Number: Des. 398,471**

[45] **Date of Patent: **Sep. 22, 1998**

[54] **DISC MEDIA STORAGE RACK**

[76] Inventor: **Vijay S. Malik**, 4405 Fairmount Ave.,
Kansas City, Mo. 64111

[**] Term: **14 Years**

[21] Appl. No.: **73,633**

[22] Filed: **Jul. 11, 1997**

[51] **LOC (6) Cl. 06-04**

[52] **U.S. Cl. D6/630; D6/570**

[58] **Field of Search** D6/407, 626-630,
D6/462-468, 450, 457, 473-476, 556-567,
570-572, 553; 312/9.1-9.64; D19/90-92;
D32/55, 58, 54; 211/40, 41.1, 41.2, 41.3,
41.4, 42, 41.12, 44, 41.18, 48, 181.1; 206/307.1,
307, 308.1, 445, 387.15, 454, 387.1, 425;
D21/54

[56] **References Cited**

U.S. PATENT DOCUMENTS

D. 115,728	7/1939	Bardaville	D6/570
D. 321,372	11/1991	Evenson	D19/90
D. 321,607	11/1991	Sheung	D6/407
D. 336,182	6/1993	Machut	D6/467
D. 354,413	1/1995	Sedon et al.	D6/629
D. 356,921	4/1995	Wolff	D6/629
D. 358,524	5/1995	Sedon et al.	D6/629
D. 358,525	5/1995	Sedon et al.	D6/629
D. 358,526	5/1995	Sedon et al.	D6/629
D. 359,647	6/1995	Dardashti	D6/629
D. 361,012	8/1995	Dardashti	D6/629
D. 363,950	11/1995	Brussing	D19/91
D. 364,987	12/1995	Chi	D6/629

D. 373,698	9/1996	Farrell	D6/570
3,186,558	6/1965	Horstmann	D6/570 X
5,027,955	7/1991	Shoemaker, Jr. et al.	211/40

OTHER PUBLICATIONS

Page from Foreign document, #379,520, 1932.

Primary Examiner—Jeffrey Asch
Attorney, Agent, or Firm—Richard L. Marsh

[57] **CLAIM**

The ornamental design for a disc media storage rack, as shown and described.

DESCRIPTION

FIG. 1 is a front right perspective view of the design of a disc media storage rack of this invention;
 FIG. 2 is a plan view of the front face of the disc media storage;
 FIG. 3 is a rear plan view of the disc media storage rack of this invention;
 FIG. 4 is top plan view of the disc media storage rack of this invention;
 FIG. 5 is a bottom plan view of the disc media storage rack of this invention;
 FIG. 6 is a left hand plan view of the disc media storage rack of this invention; and,
 FIG. 7 is a right hand plan view of the disc media storage rack of this invention.

The broken line showings throughout the drawings are for illustrative purposes only and form no part of the claimed design.

1 Claim, 3 Drawing Sheets

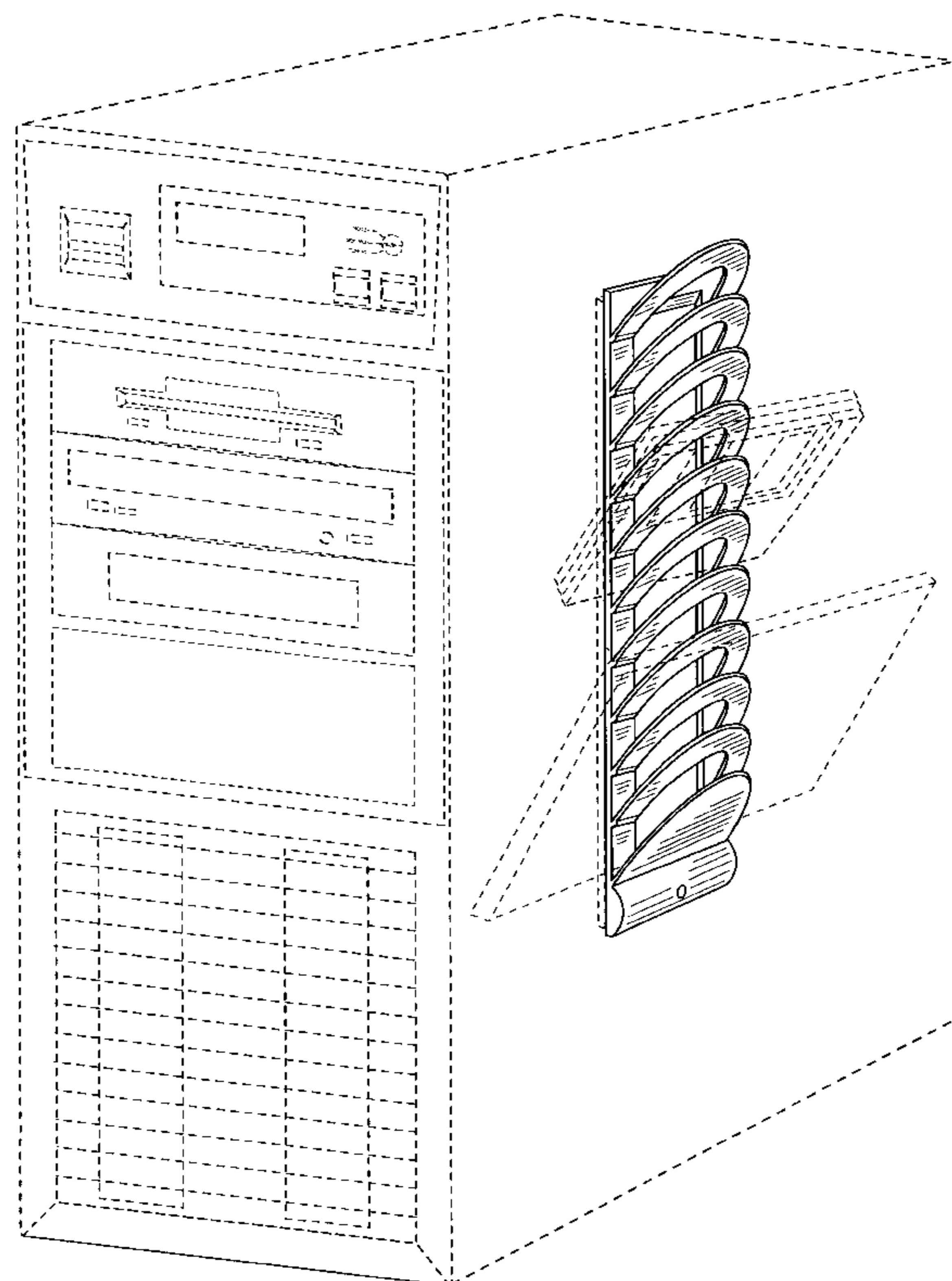
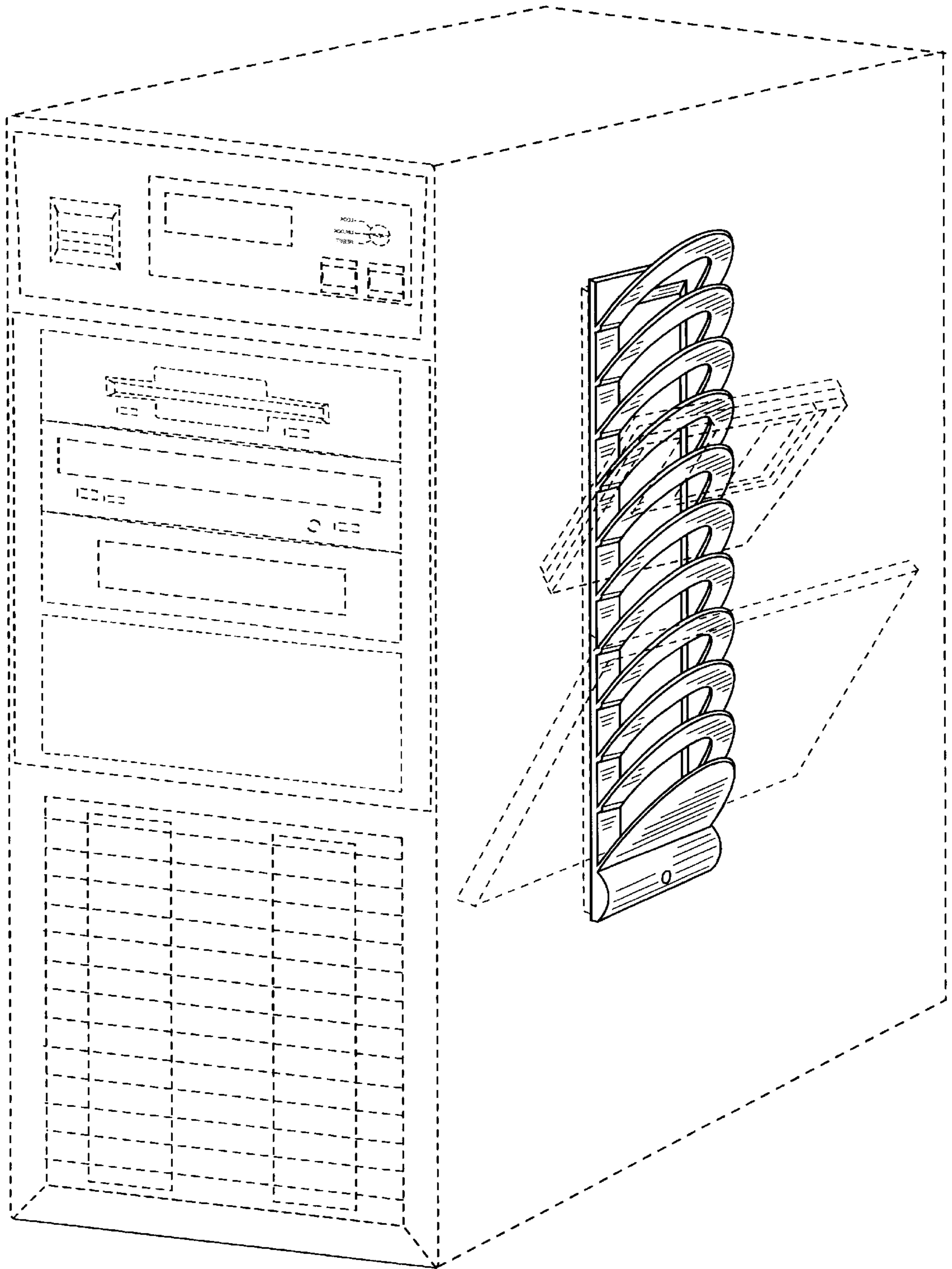


FIG. 1



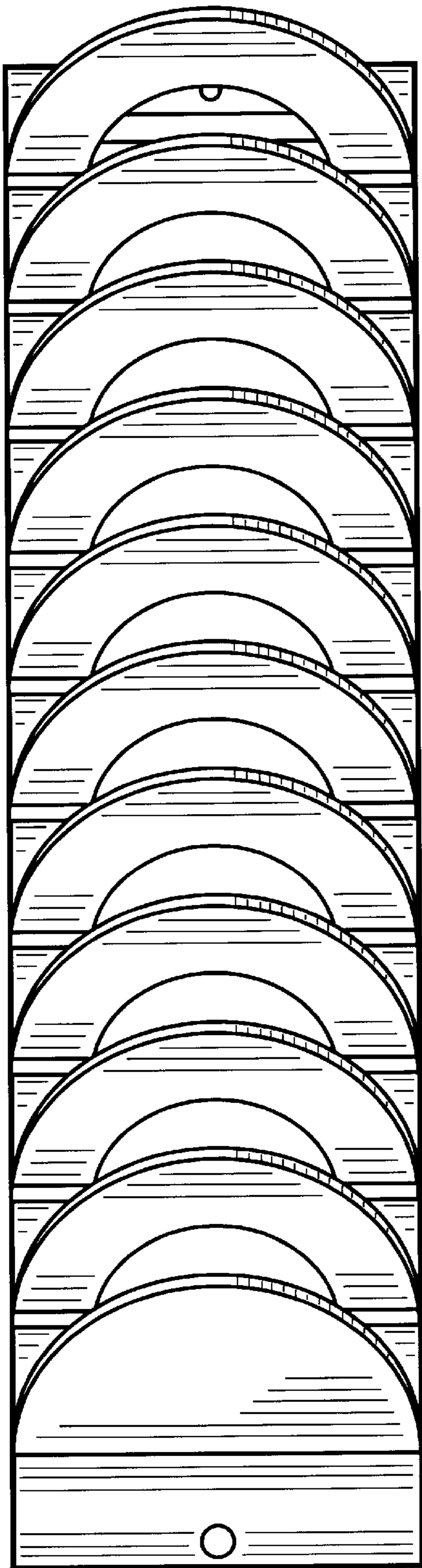


FIG. 2

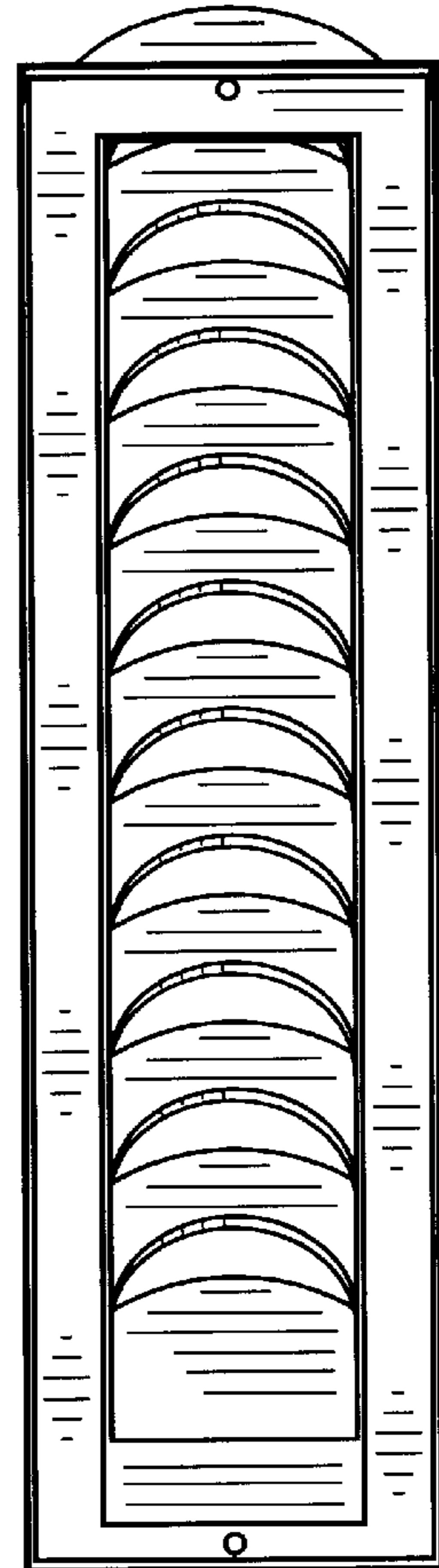


FIG. 3

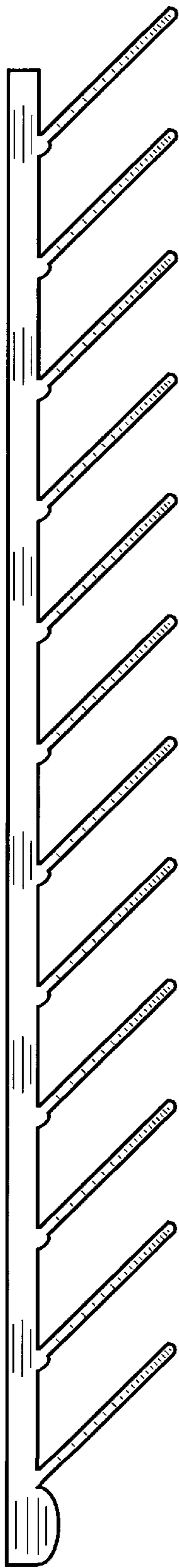


FIG.6

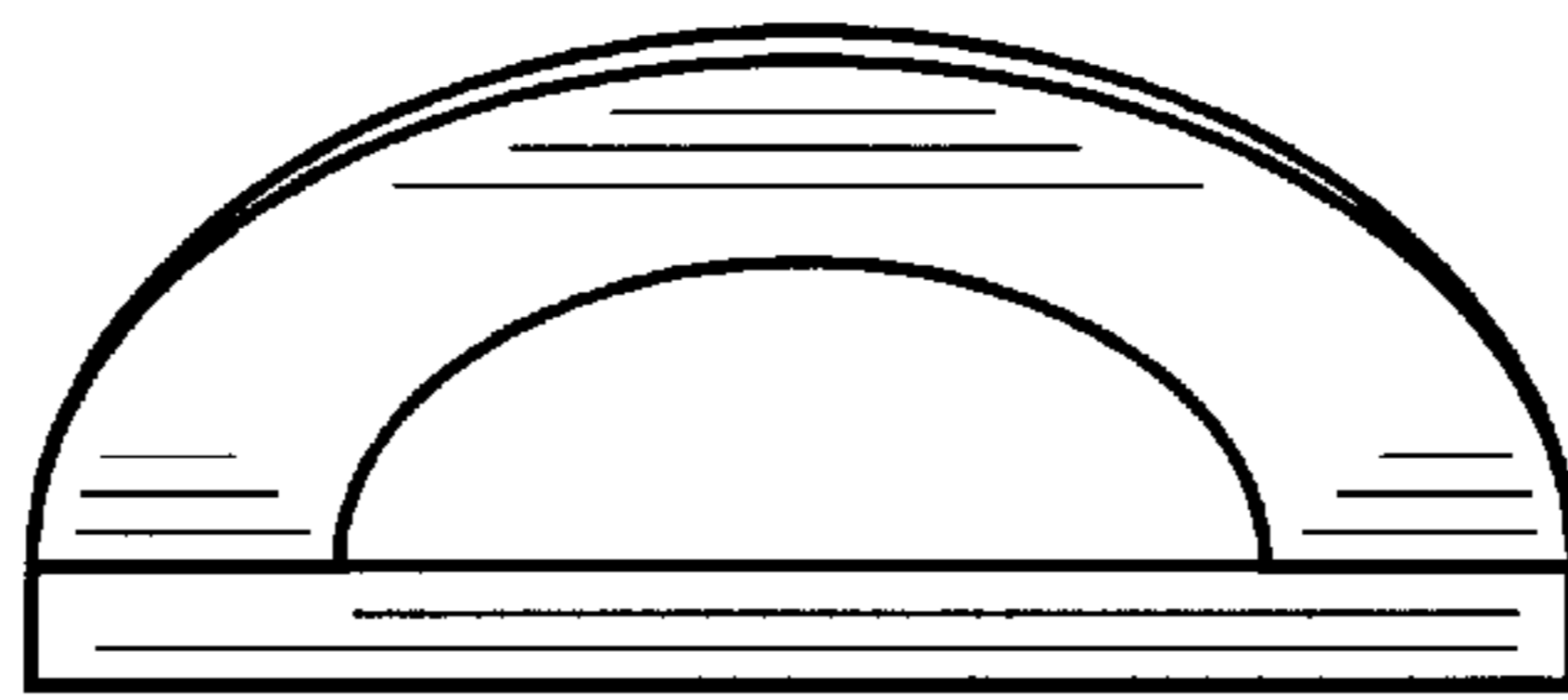


FIG.4

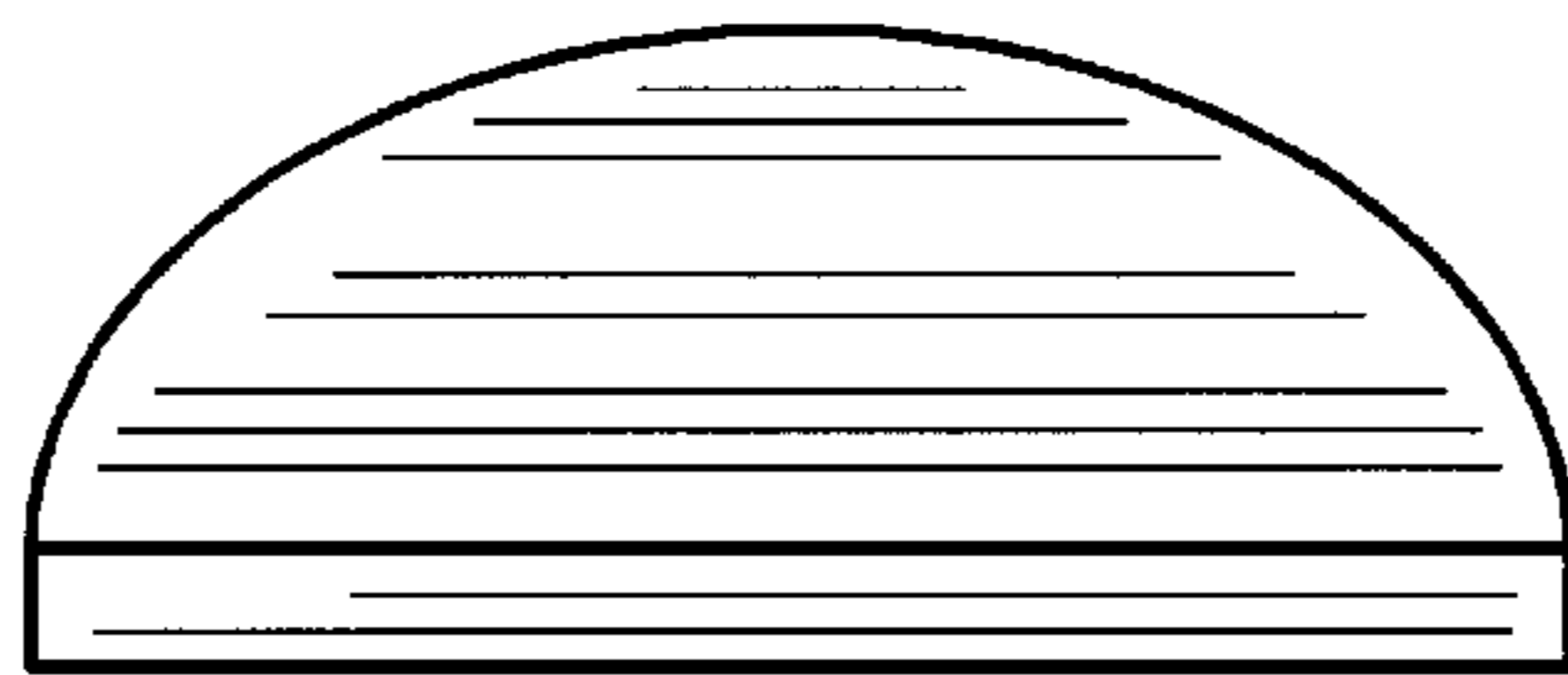


FIG.5

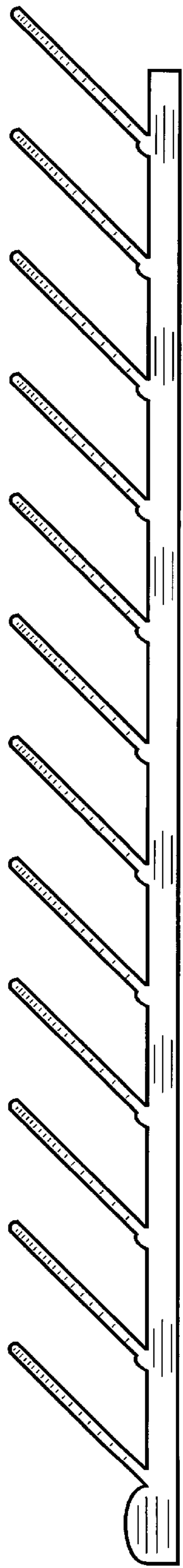


FIG.7