



US00D398469S

# United States Patent [19]

Leong et al.

[11] Patent Number: **Des. 398,469**

[45] Date of Patent: **\*\*Sep. 22, 1998**

[54] **SPORT CLOTHING AND EQUIPMENT RACK**

[76] Inventors: **Jerry Leong; Holly Leong**, both of  
6490 Via Estrada, Anaheim Hills, Calif.  
92807

[\*\*] Term: **14 Years**

[21] Appl. No.: **62,958**

[22] Filed: **Oct. 11, 1996**

[51] **LOC (6) Cl.** ..... **08-08**

[52] **U.S. Cl.** ..... **D6/552**

[58] **Field of Search** ..... D6/552, 410, 411,  
D6/415, 462, 458; 211/13.1, 30, 34, 181.1,  
182

[56] **References Cited**

**U.S. PATENT DOCUMENTS**

D. 334,855 4/1993 Harrington et al. .... D6/458

D. 354,654 1/1995 Mallen ..... D6/552  
D. 387,231 12/1997 Turcotte ..... D6/552  
5,377,849 1/1995 Martin ..... 211/13.1

*Primary Examiner*—Brian N. Vinson

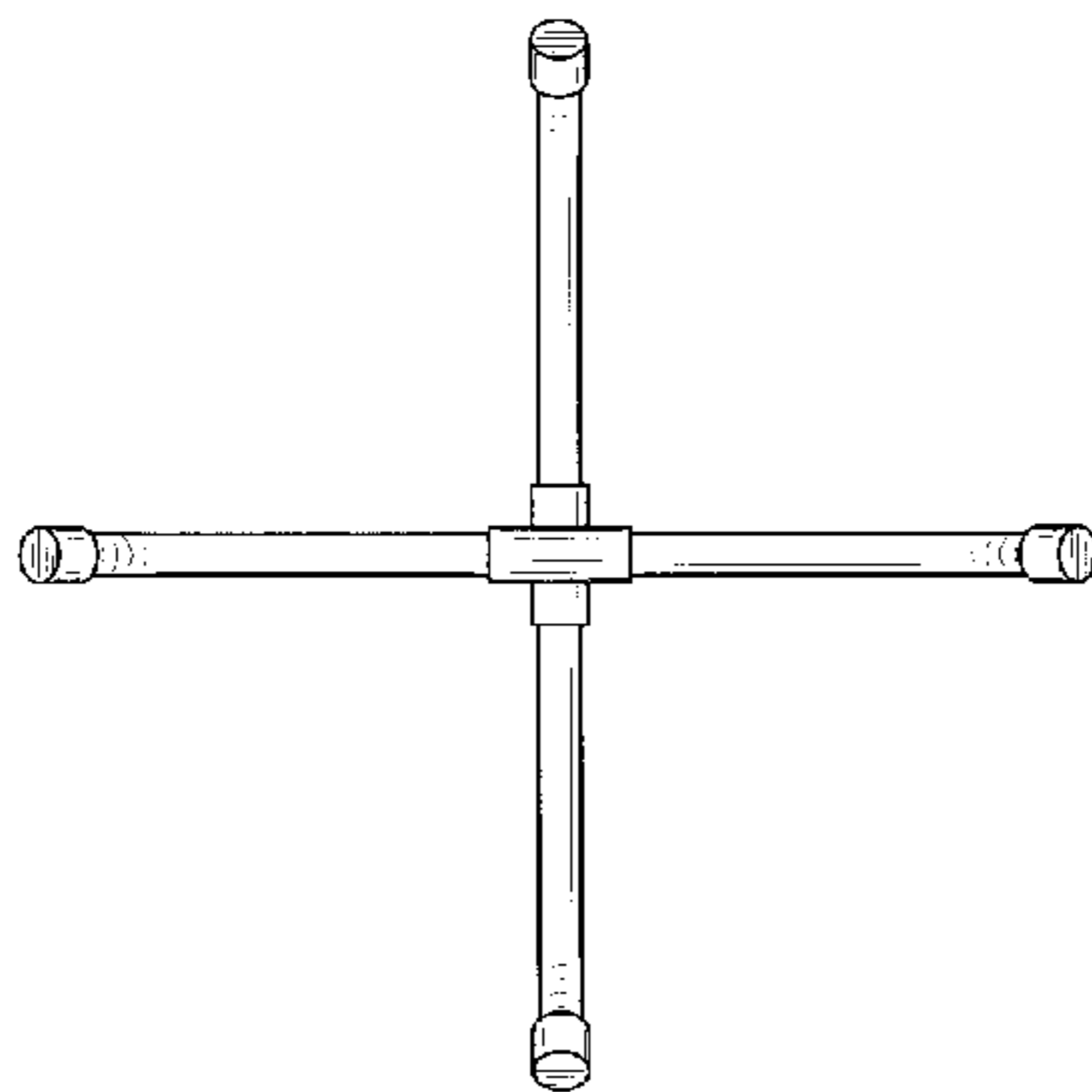
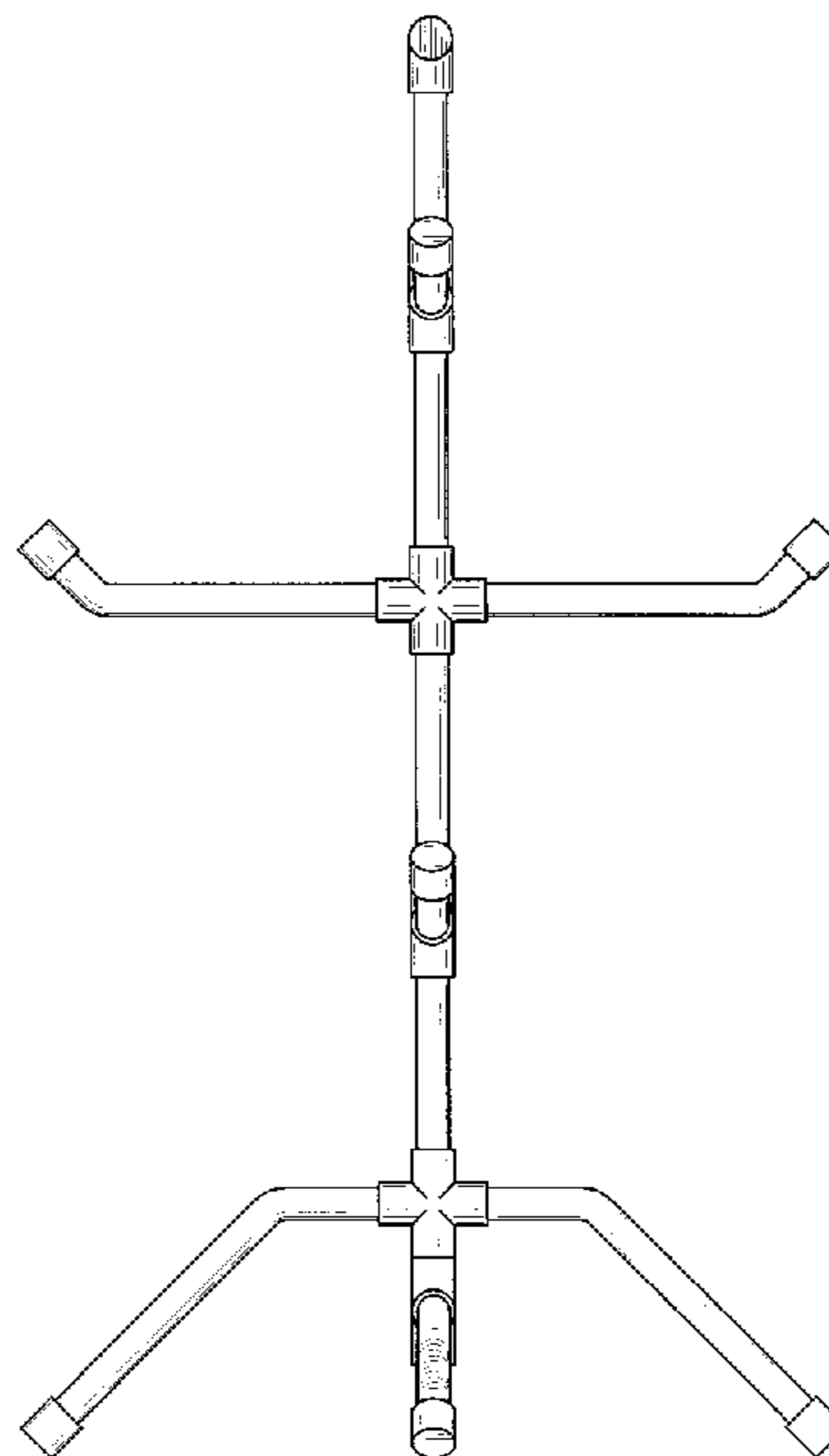
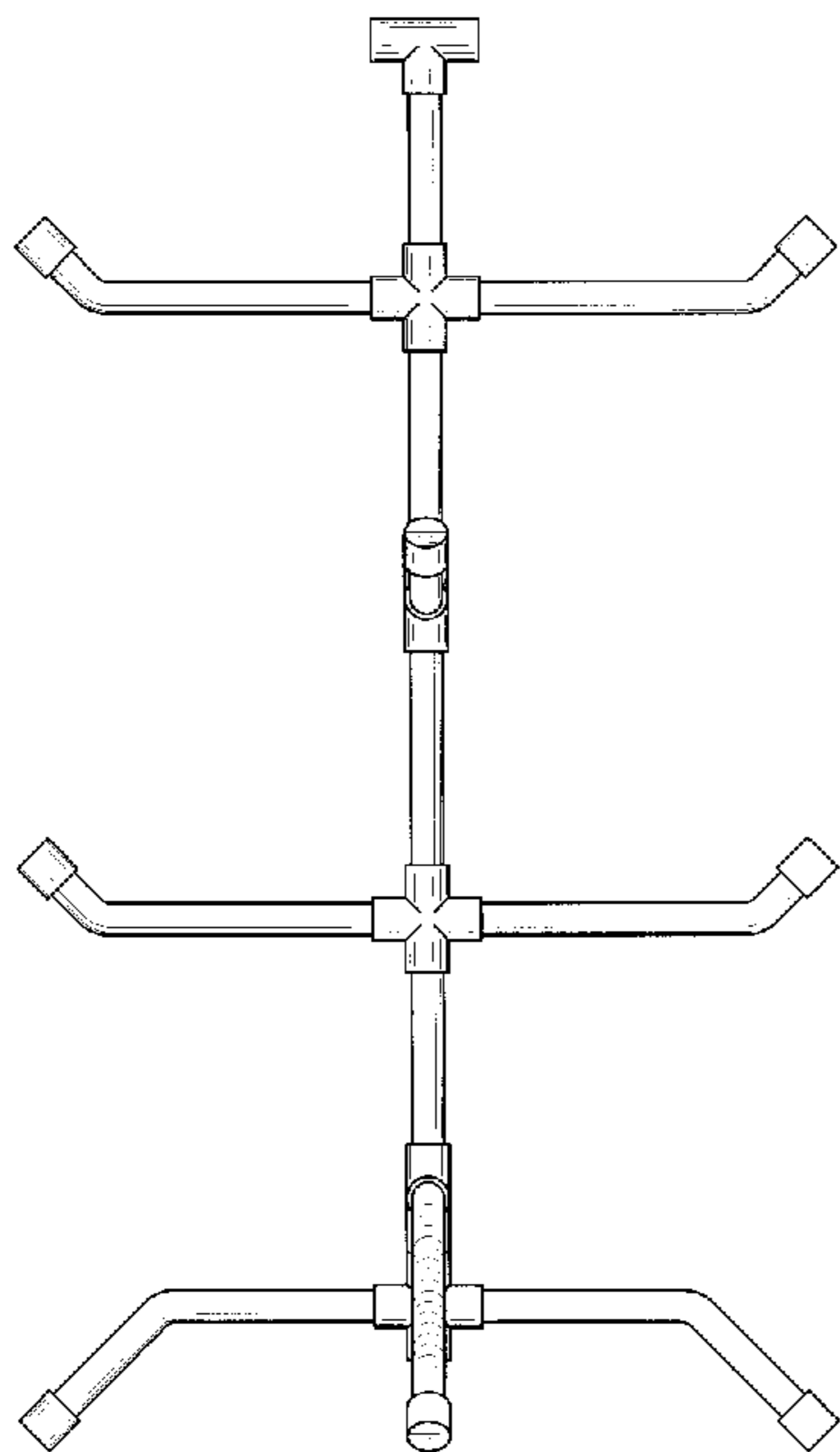
[57] **CLAIM**

The ornamental design for a sport clothing and equipment rack, as shown and described.

**DESCRIPTION**

FIG. 1 is a front elevational view of the sport clothing and equipment rack showing our new design; FIG. 2 is a rear elevational view thereof; FIG. 3 is a right view thereof; FIG. 4 is a left view thereof; FIG. 5 is a top plan view thereof; and, FIG. 6 is a bottom plan view thereof.

**1 Claim, 3 Drawing Sheets**



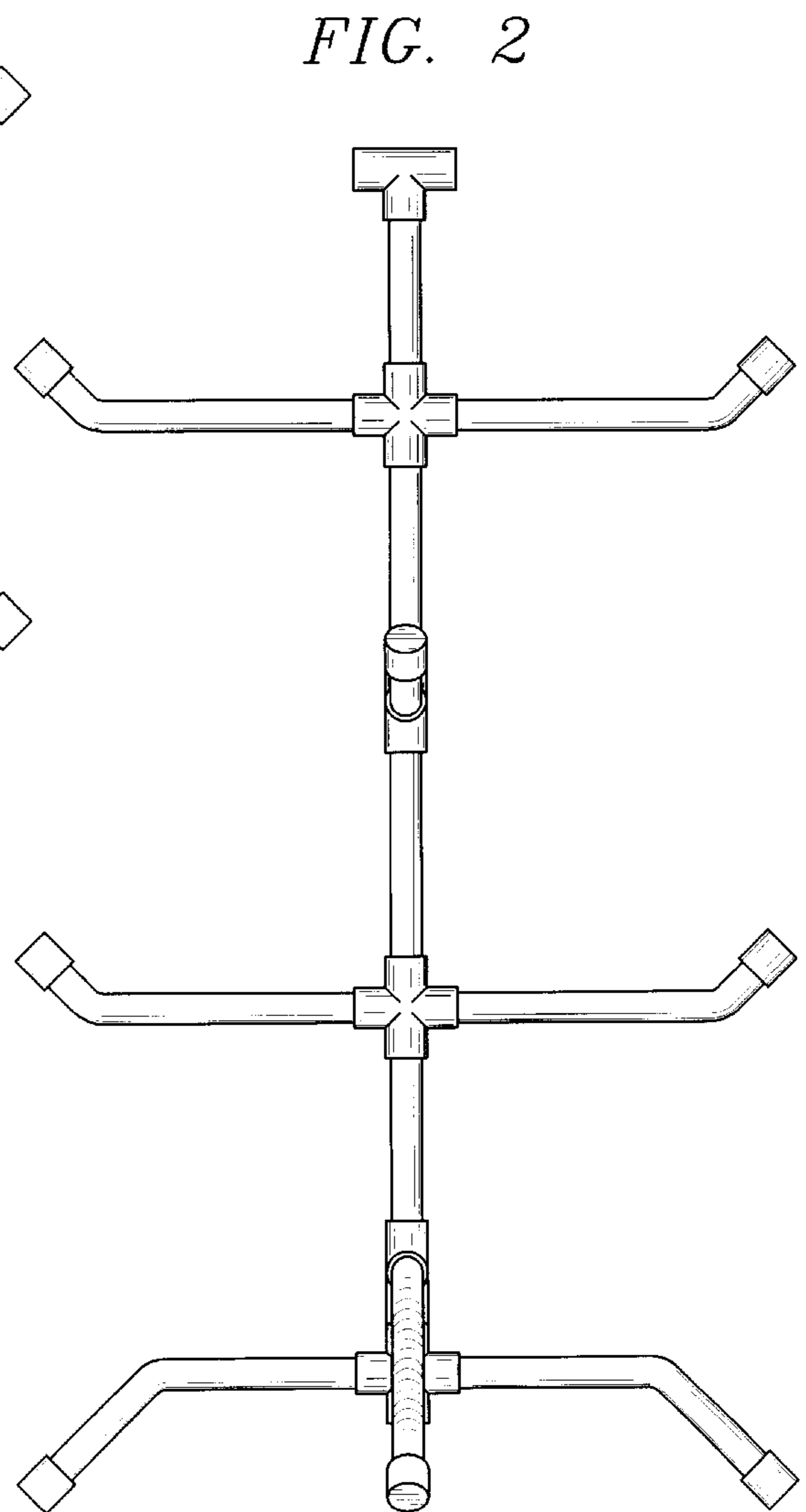
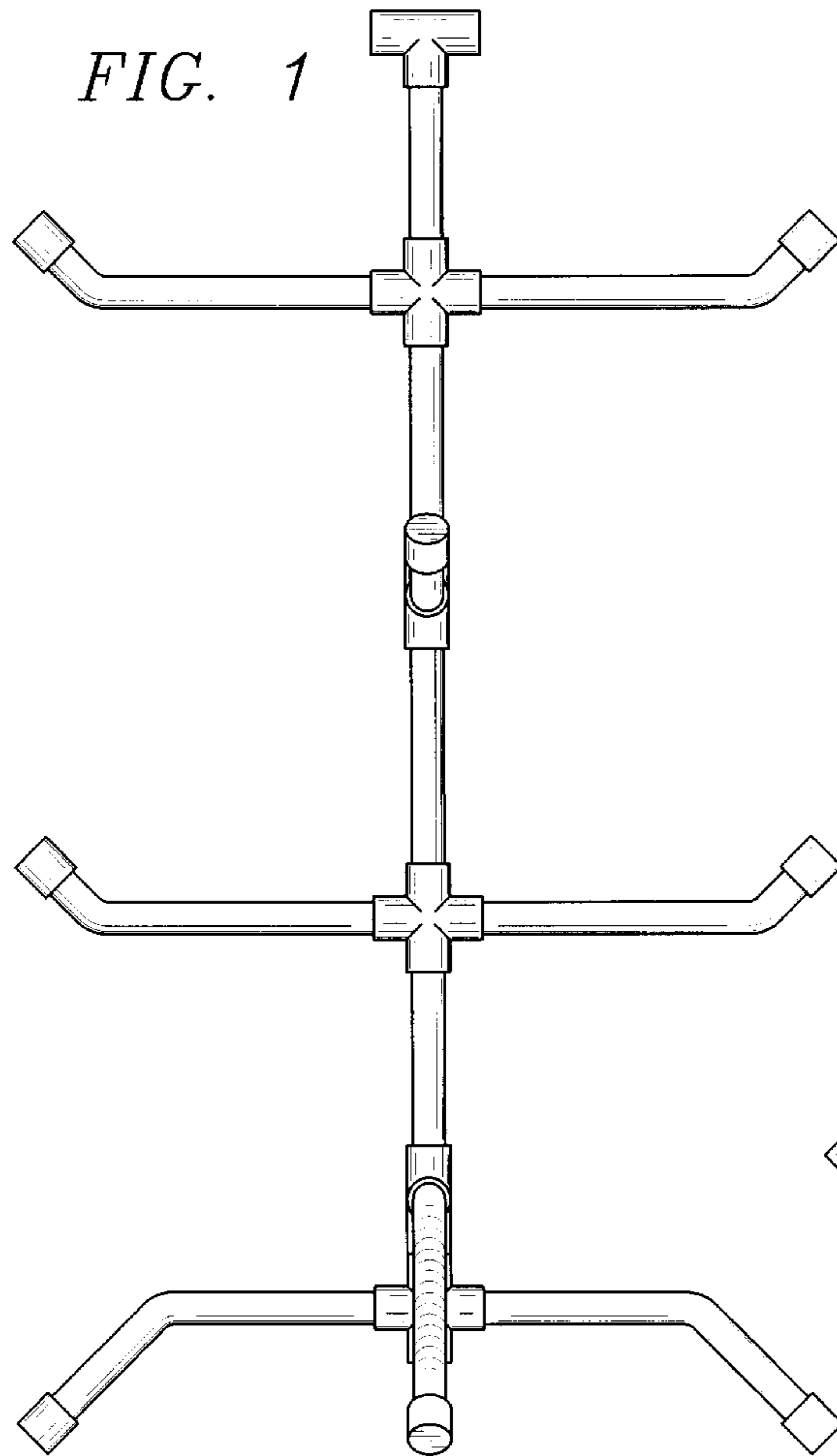


FIG. 3

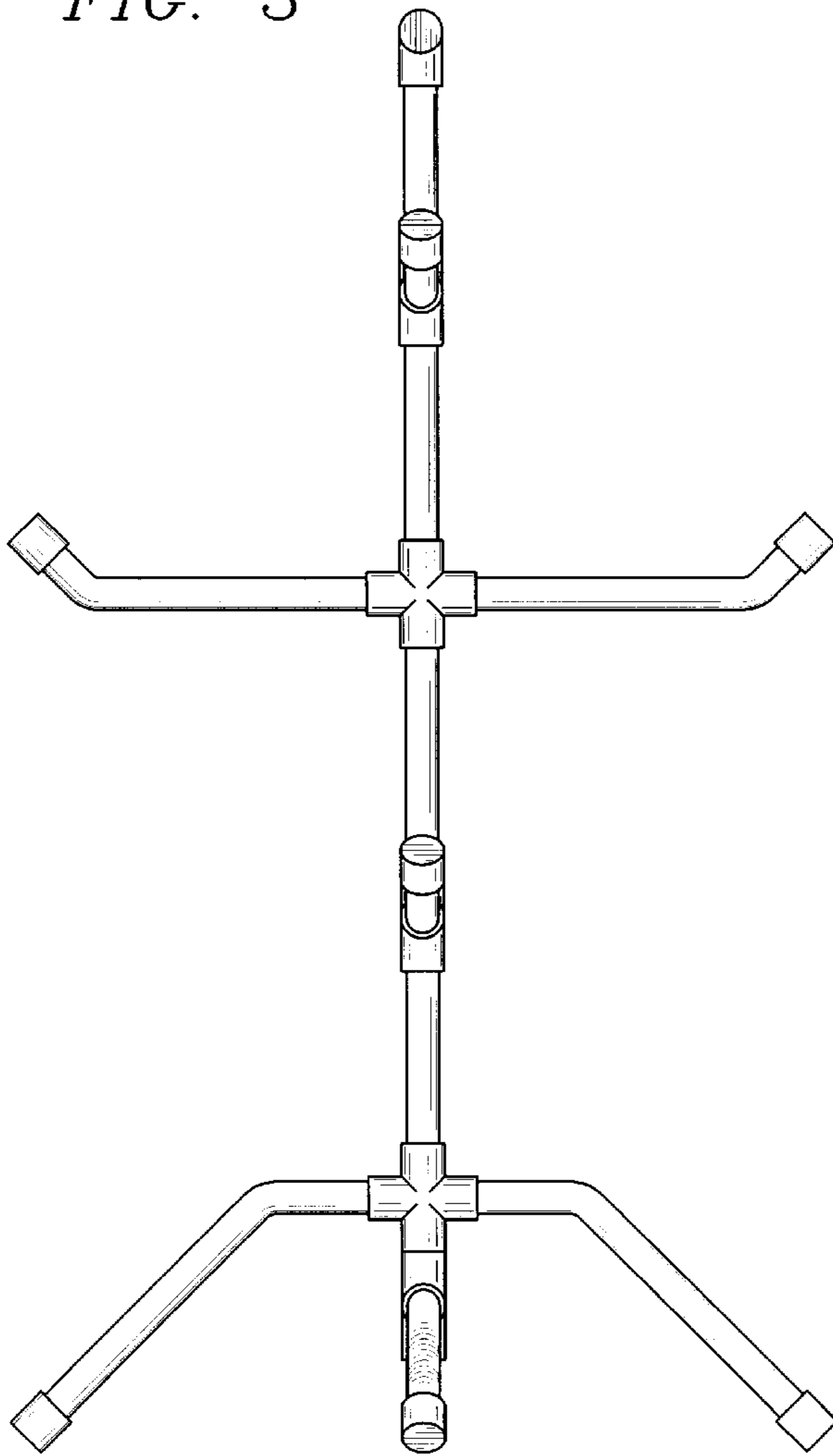


FIG. 4

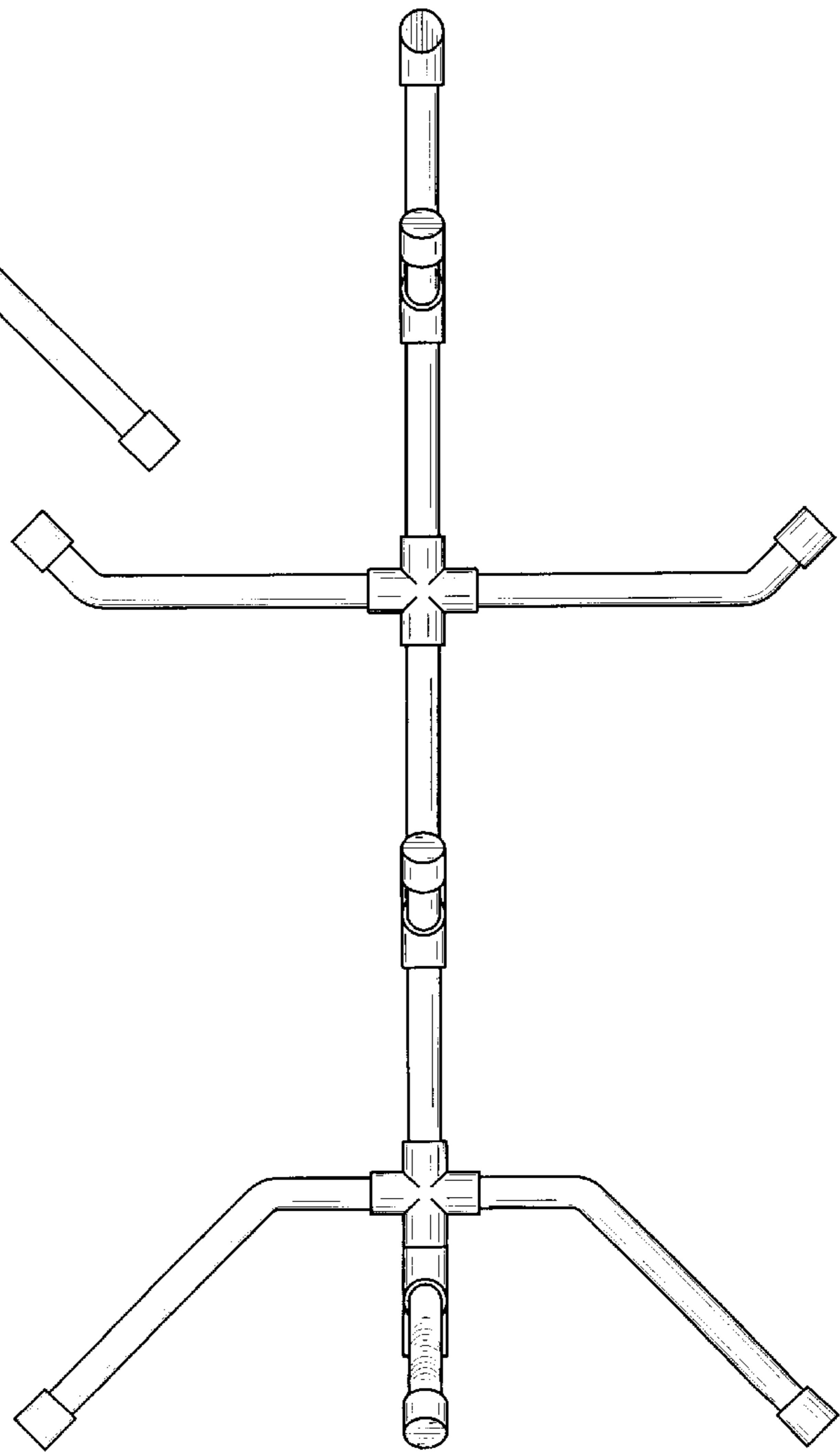


FIG. 5

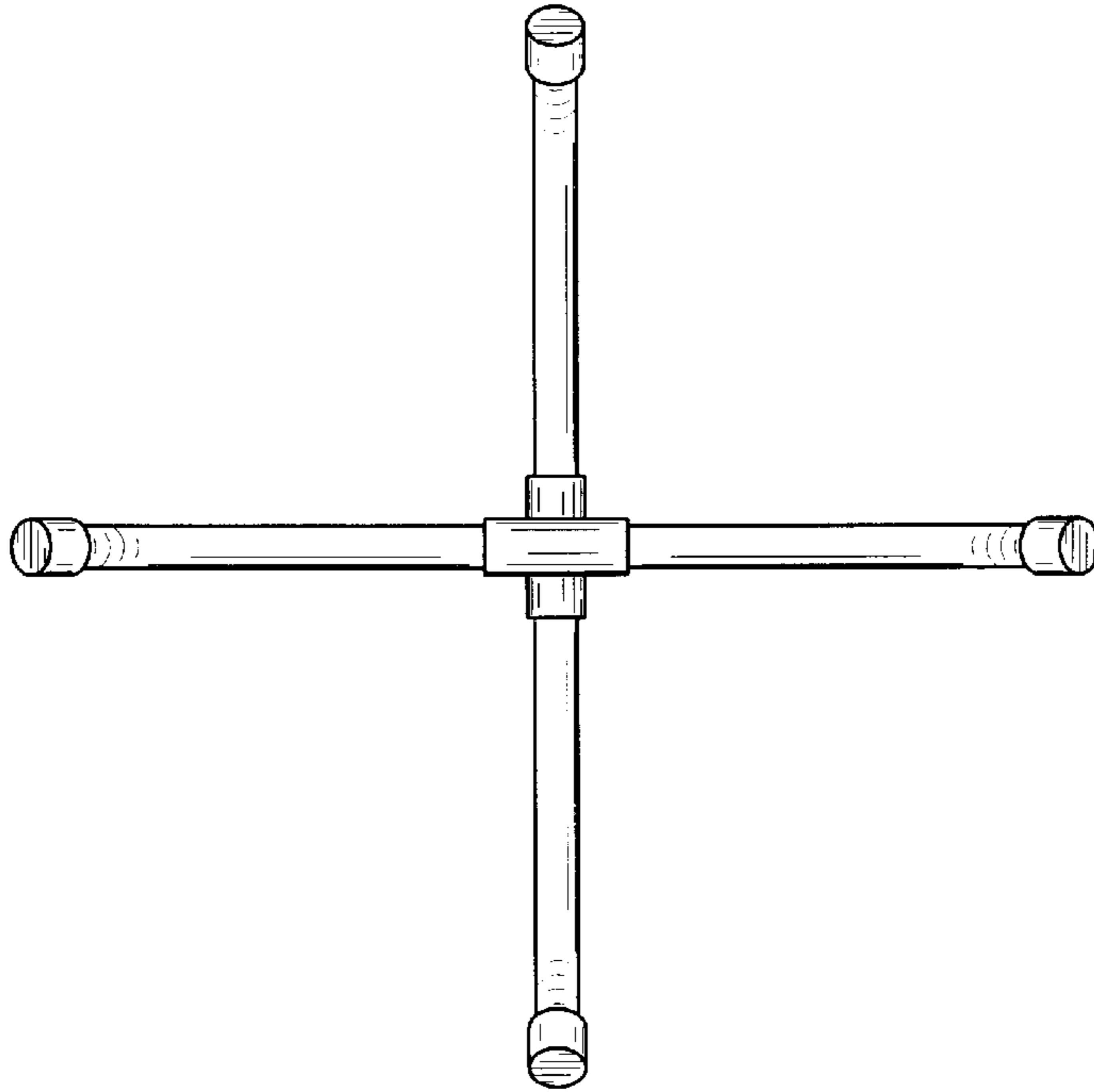


FIG. 6

