



US00D398468S

# United States Patent [19] Yemini

[11] **Patent Number: Des. 398,468**

[45] **Date of Patent: \*\*Sep. 22, 1998**

[54] **TOWEL RACK**

D. 342,435 12/1993 Boyle ..... D6/548 X  
D. 354,412 1/1995 Emery ..... D6/548

[75] Inventor: **Zvi Yemini**, Tel Aviv, Israel

[73] Assignee: **Zenith Products Corp.**, New Castle, Del.

*Primary Examiner*—Brian N. Vinson  
*Attorney, Agent, or Firm*—Edgar A. Zarins; Malcolm L. Sutherland

[\*\*] Term: **14 Years**

### [57] CLAIM

[21] Appl. No.: **76,970**

The ornamental design for a towel rack, as shown and described.

[22] Filed: **Sep. 19, 1997**

### DESCRIPTION

[51] **LOC (6) Cl.** ..... **07-07**

[52] **U.S. Cl.** ..... **D6/548**

[58] **Field of Search** ..... D6/546-550, 512-514,  
D6/552, 553, 567; 211/13, 16, 86-87, 123,  
181.1

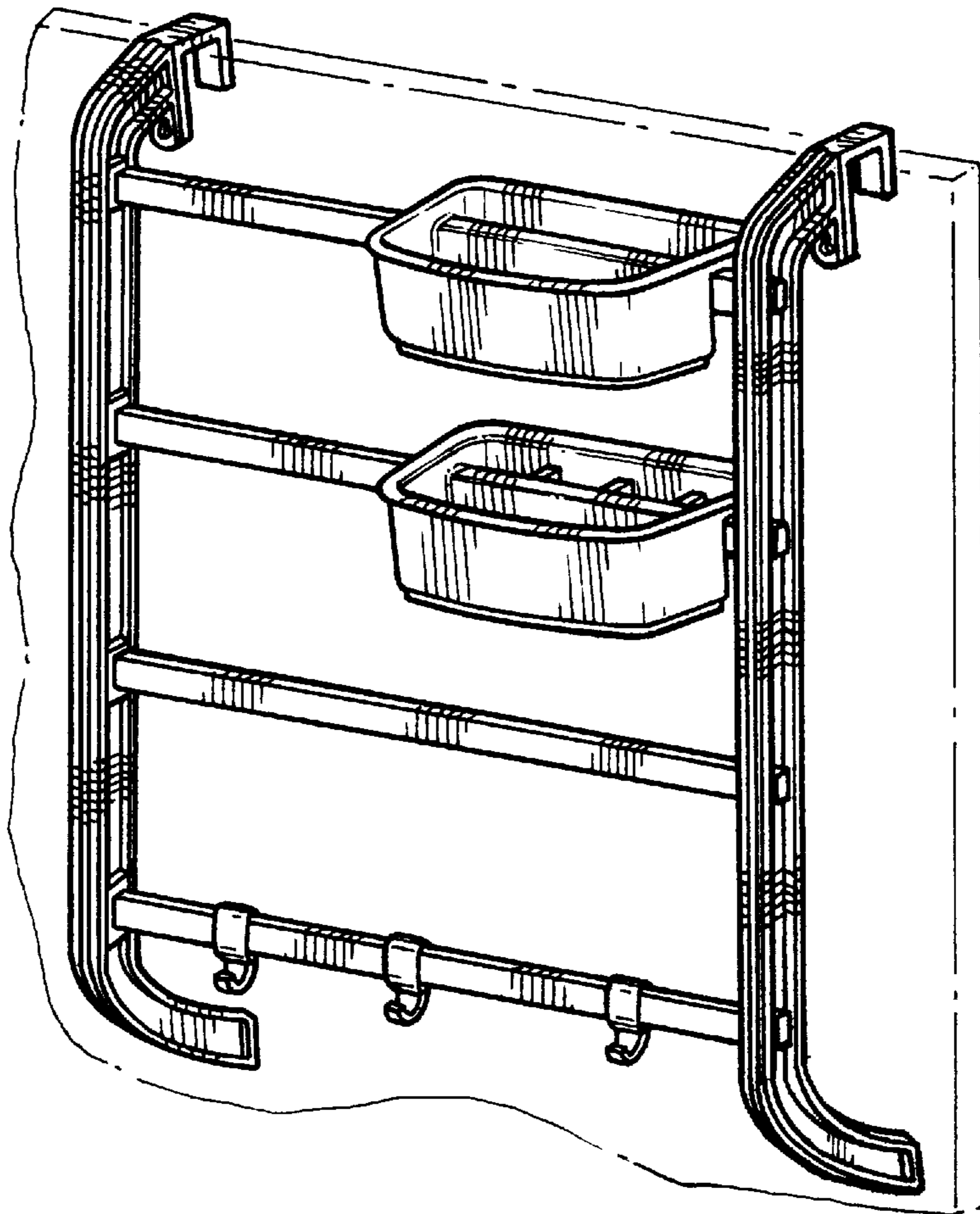
FIG. 1 is a perspective view of a towel rack showing my new design, the broken-line disclosure being for illustrative purposes only and forming no part of the claimed design; FIG. 2 is a front elevational view thereof; FIG. 3 is a top plan view thereof; and, FIG. 4 is a left side view thereof, the opposite side being a mirror image of the side shown.

### [56] References Cited

#### U.S. PATENT DOCUMENTS

D. 243,137 1/1977 Brown ..... D6/548 X

**1 Claim, 2 Drawing Sheets**



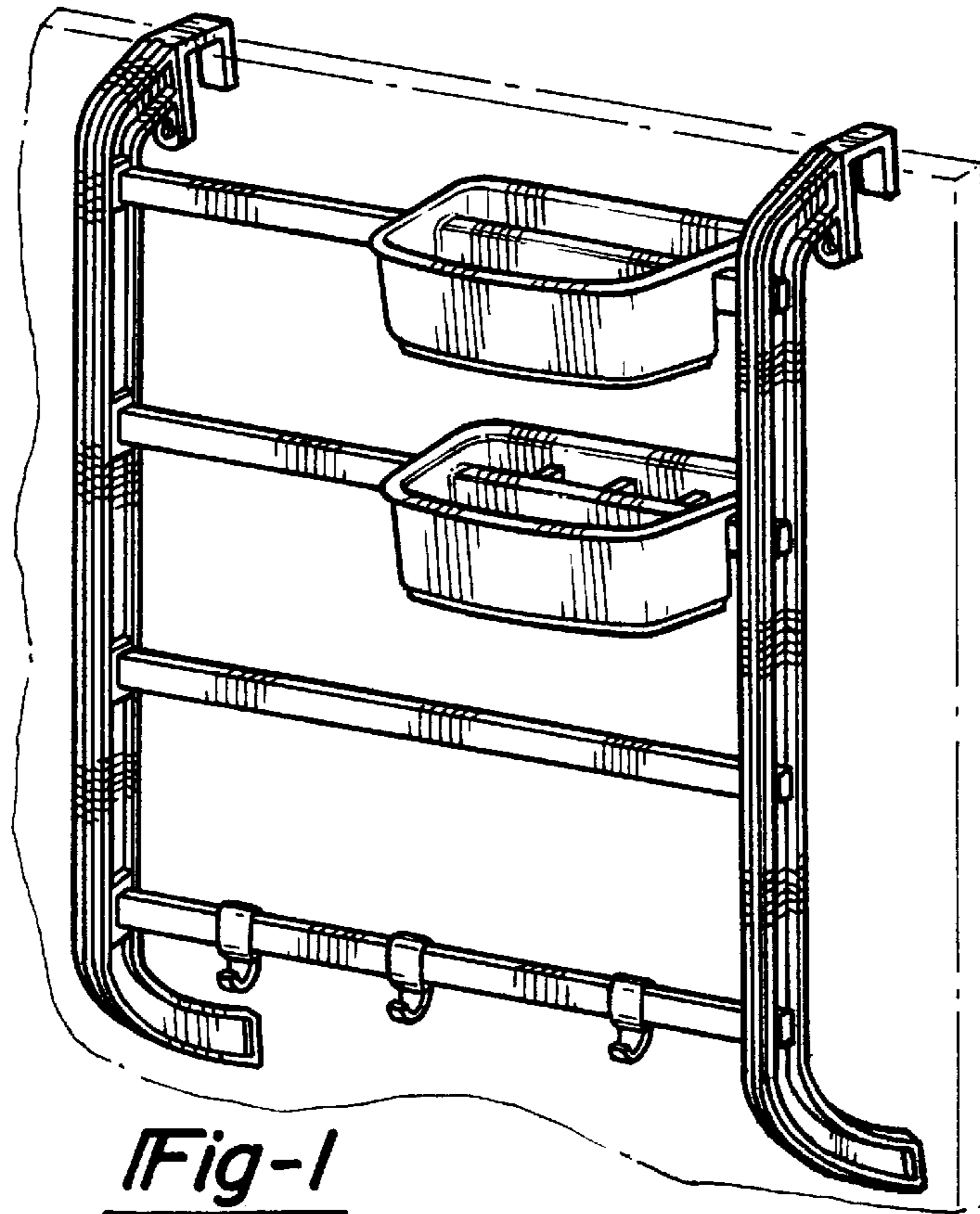


Fig-1

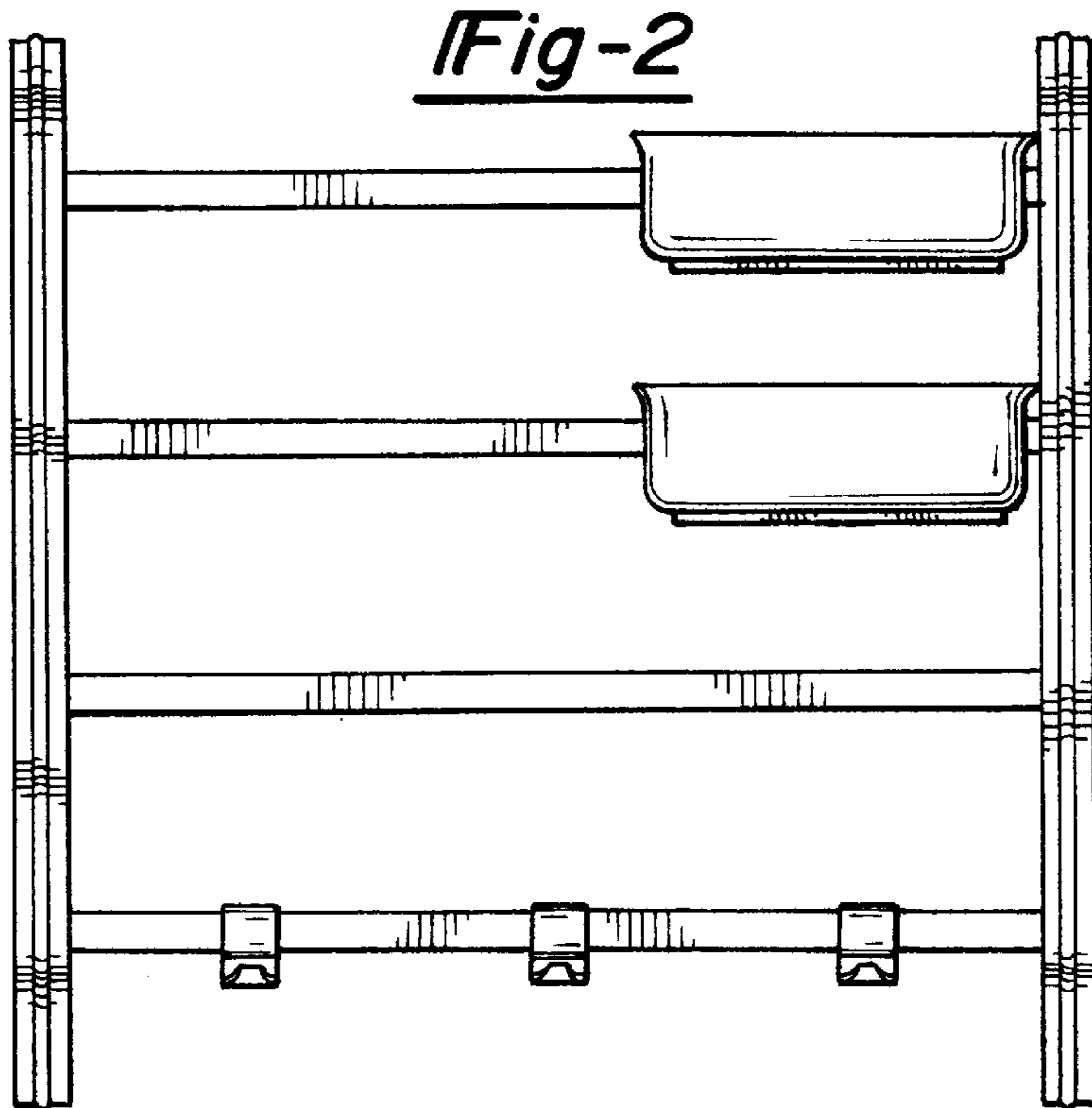


Fig-2

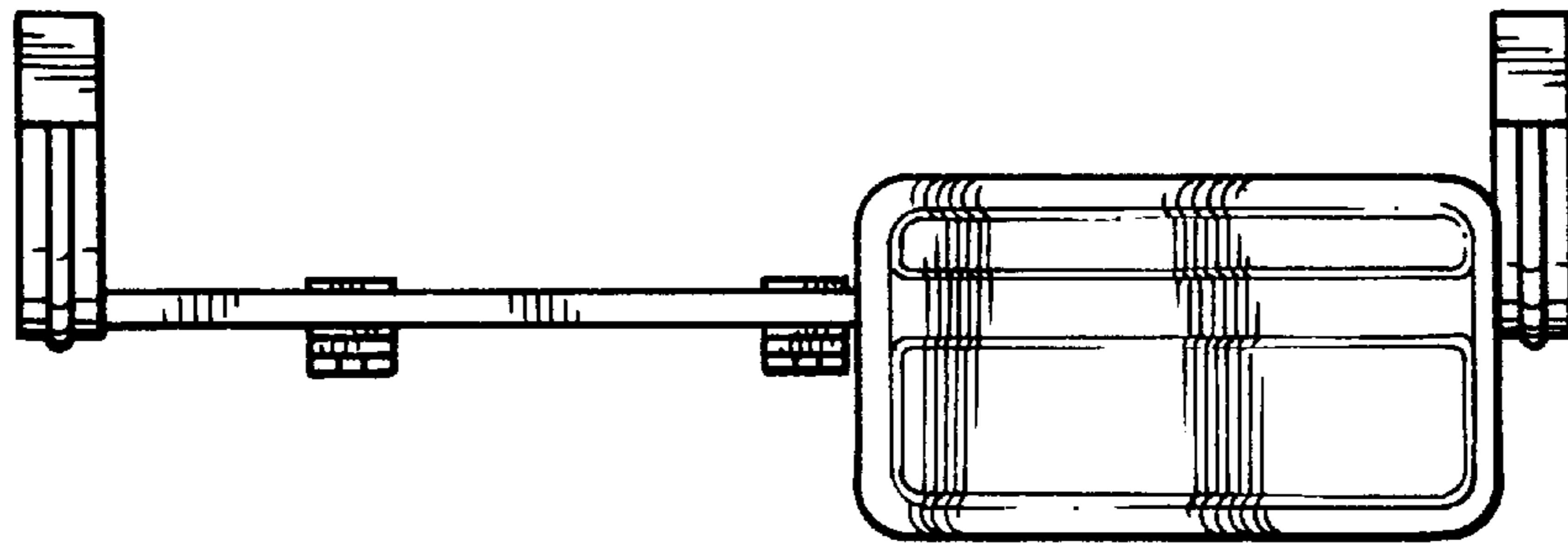


Fig-3

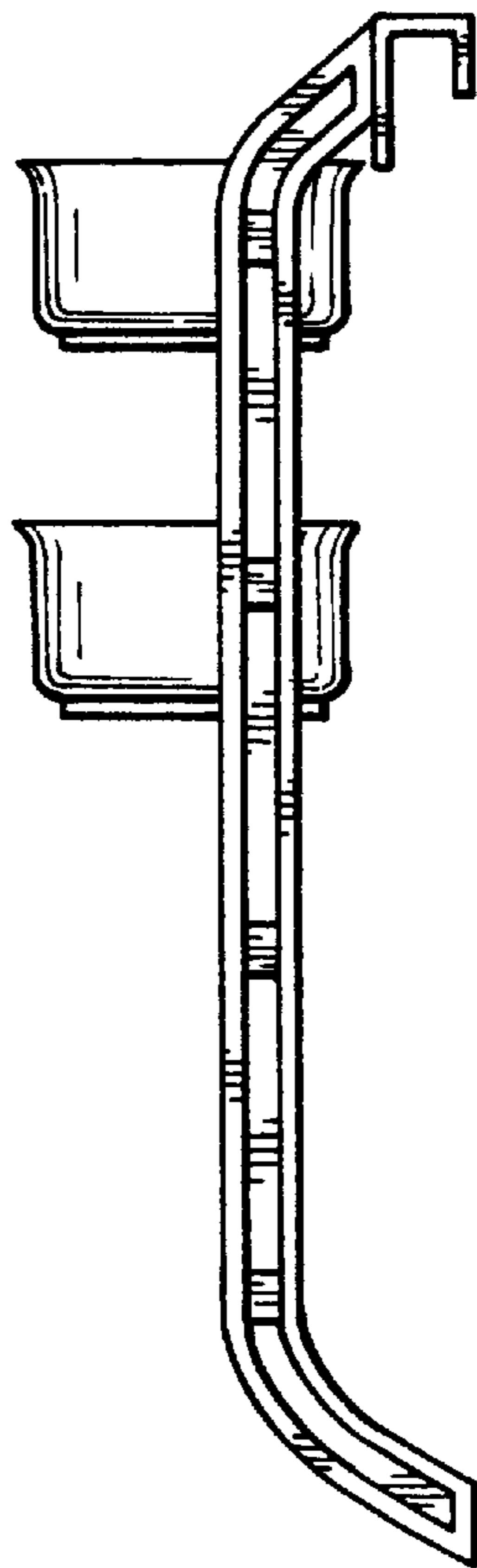


Fig-4