



US00D398464S

# United States Patent [19] Cronk

[11] **Patent Number: Des. 398,464**

[45] **Date of Patent: \*\*Sep. 22, 1998**

[54] **OFFICE CHAIR**

[75] Inventor: **Jeffrey P. Cronk**, Dallas, Tex.

[73] Assignee: **Allsteel Inc.**, Aurora, Ill.

[\*\*] Term: **14 Years**

[21] Appl. No.: **71,368**

[22] Filed: **May 28, 1997**

[51] **LOC (6) Cl.** ..... **06-06**

[52] **U.S. Cl.** ..... **D6/500; D6/366**

[58] **Field of Search** ..... D6/334, 364, 365,  
D6/366, 367, 379, 380, 500, 501, 502;  
297/411.2, 411.27

[56] **References Cited**

**U.S. PATENT DOCUMENTS**

D. 279,241	6/1985	Diffrient	.....	D6/366
D. 296,394	6/1988	Chadwick et al.	.....	D6/366
D. 340,589	10/1993	Chu	.....	D6/366
D. 345,060	3/1994	Duncan	.....	D6/366
D. 349,621	8/1994	Wilson	.....	D6/501

D. 362,973	10/1995	Schultz	.....	D6/366
D. 363,383	10/1995	Cronk	.....	D6/366
4,529,247	7/1985	Stumpf et al.	.....	D6/366 X

*Primary Examiner*—Gary D. Watson  
*Attorney, Agent, or Firm*—Jones, Day, Reavis & Pogue

[57] **CLAIM**

An ornamental design for an office chair, as shown and described.

**DESCRIPTION**

FIG. 1 is a perspective view of my ornamental design for an office chair;  
FIG. 2 is a side elevational view thereof, the left and right sides being identical;  
FIG. 3 is a front elevational view thereof;  
FIG. 4 is a rear elevational view thereof;  
FIG. 5 is a top view thereof; and,  
FIG. 6 is a bottom view thereof.

The wheeled chair base shown in phantom lines is provided to show the environment for my ornamental design for an office chair and forms no part of the claimed design.

**1 Claim, 2 Drawing Sheets**

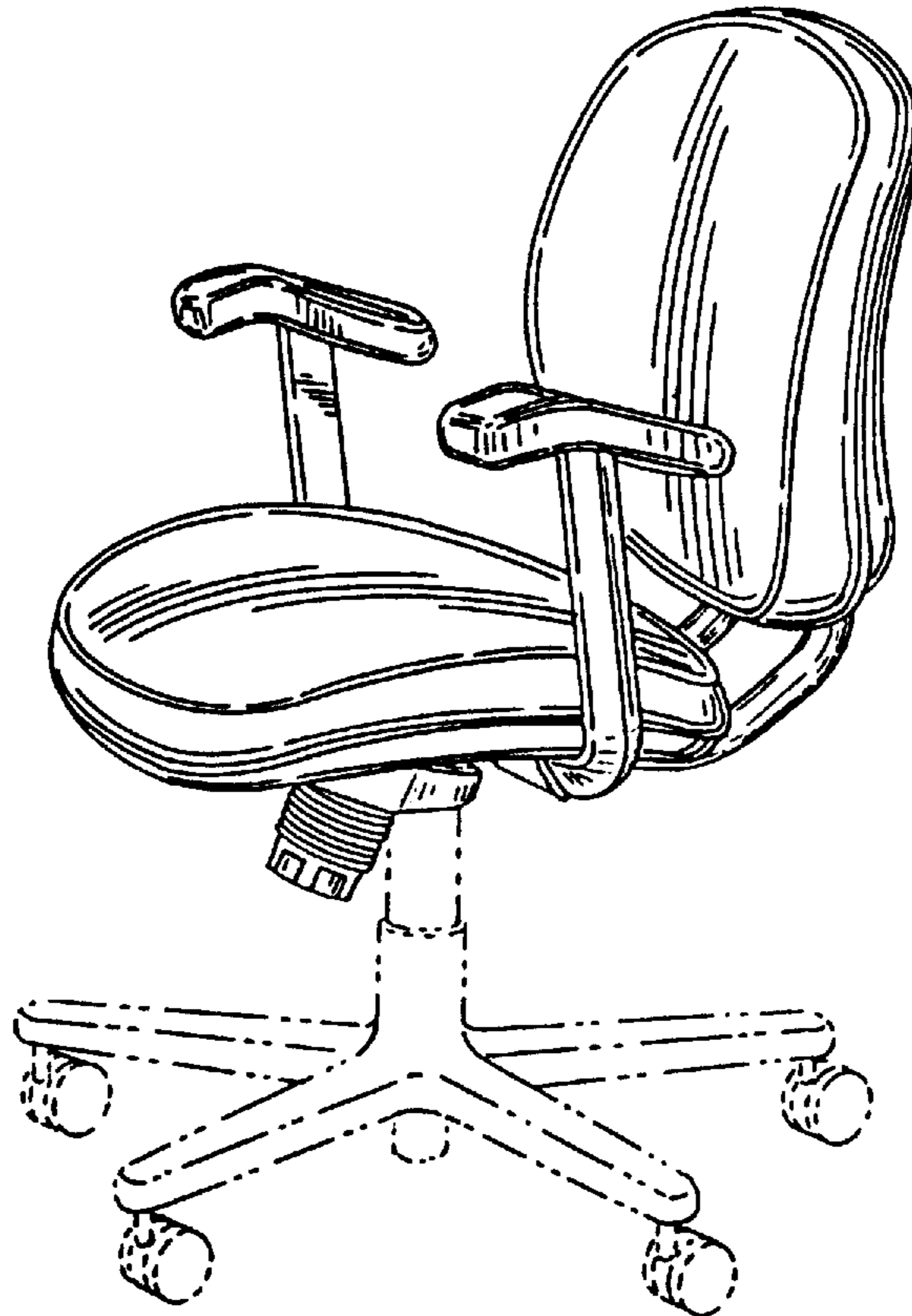


FIG.1

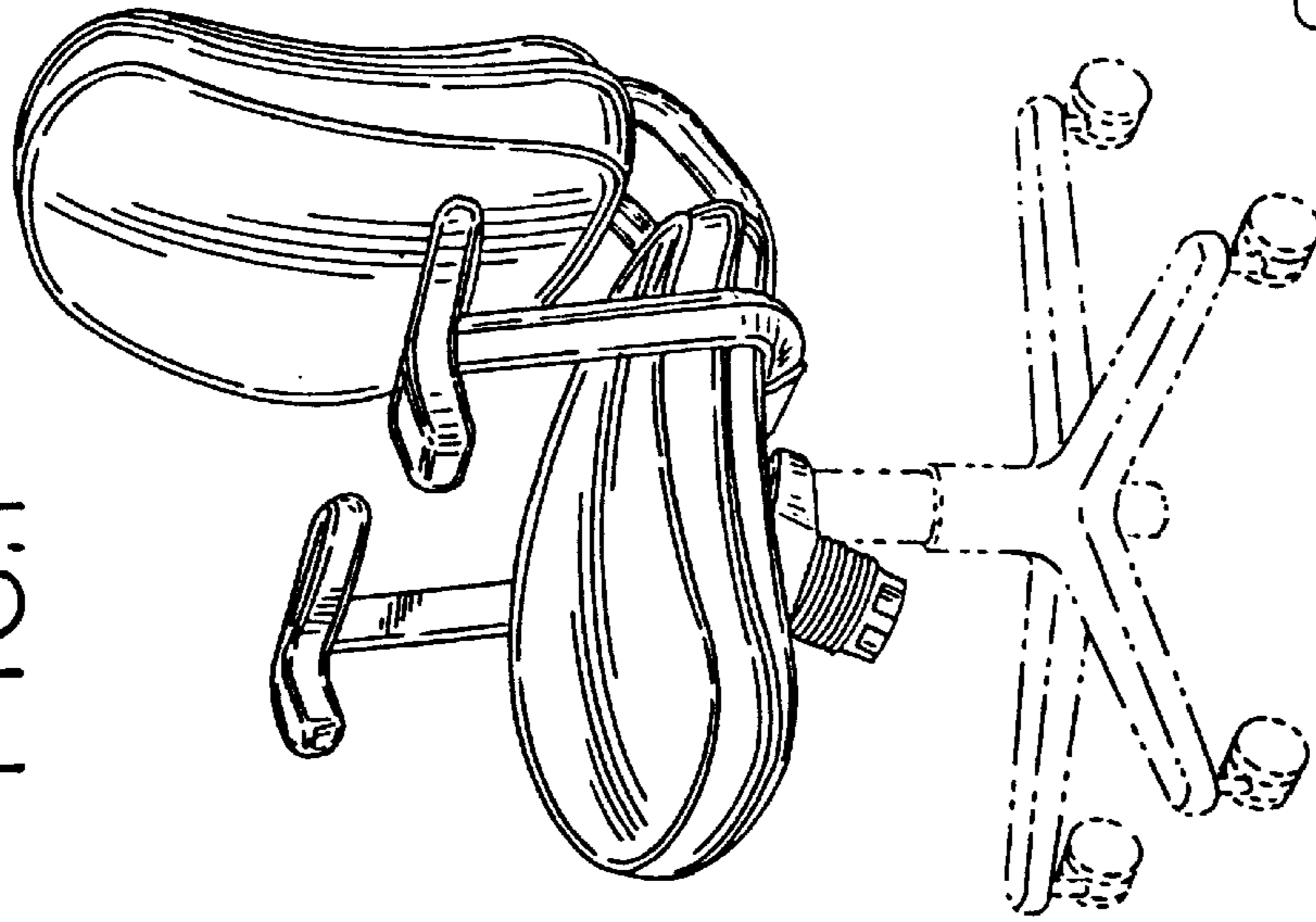


FIG.2

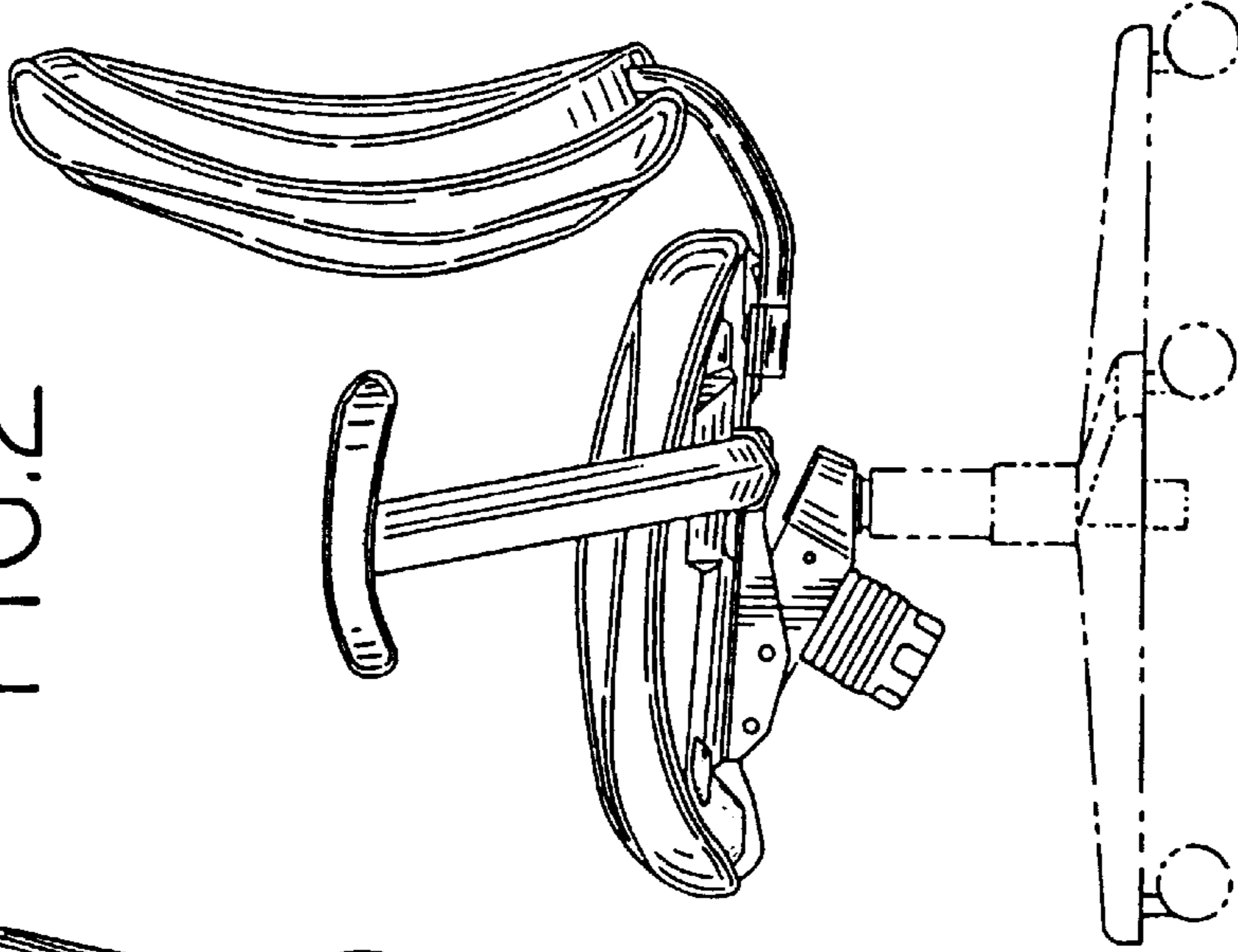


FIG.3

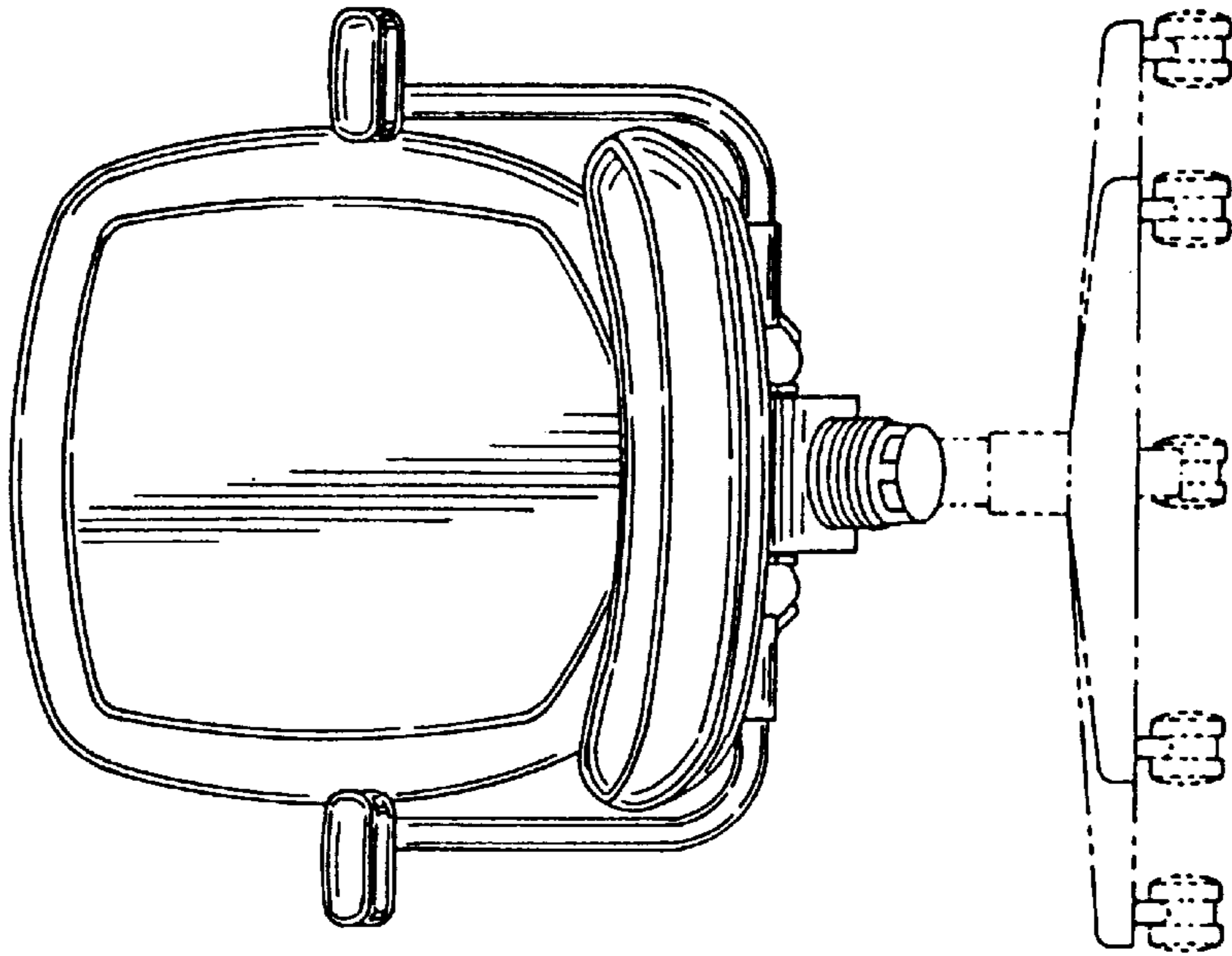


FIG.5

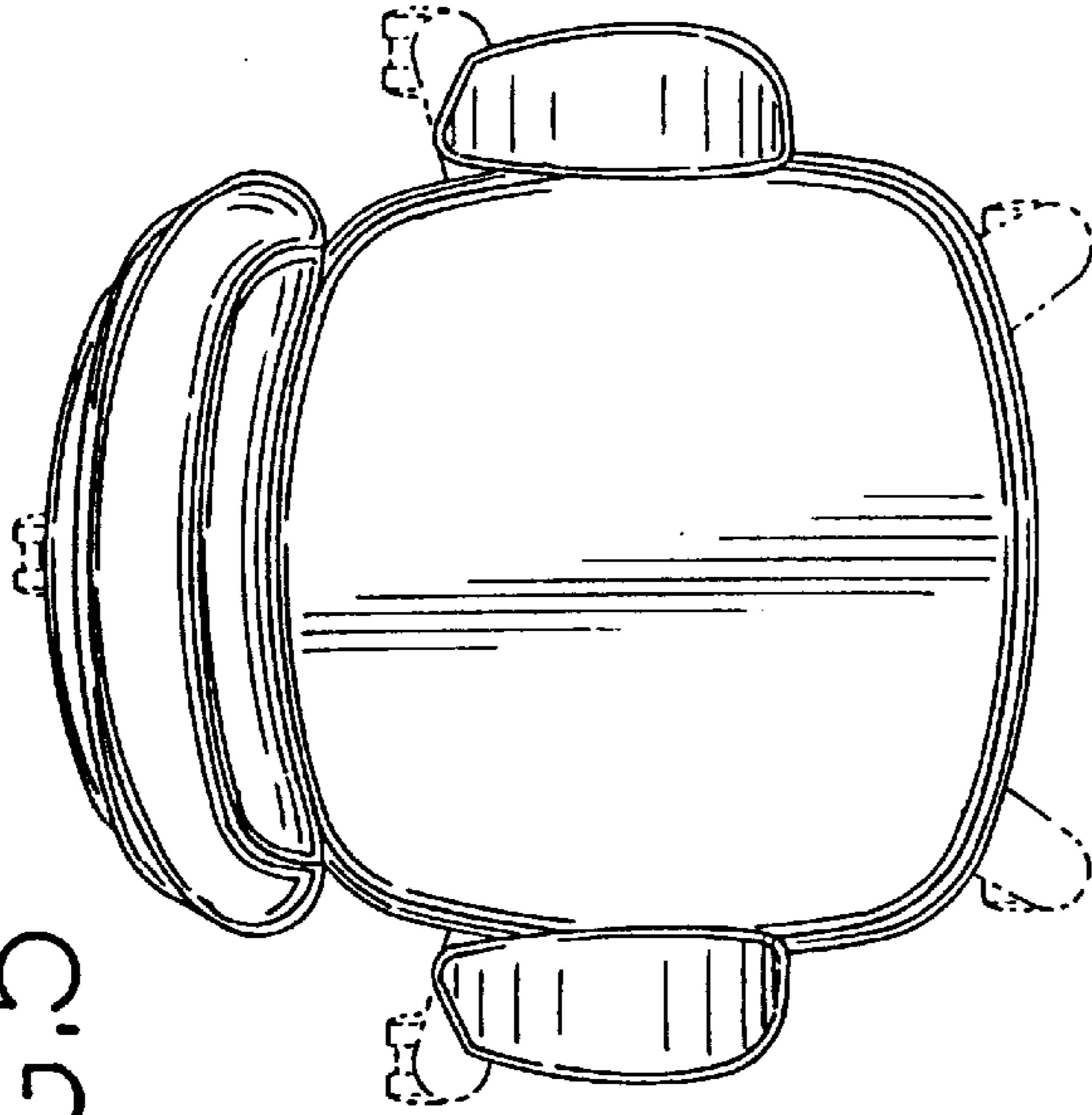


FIG.4

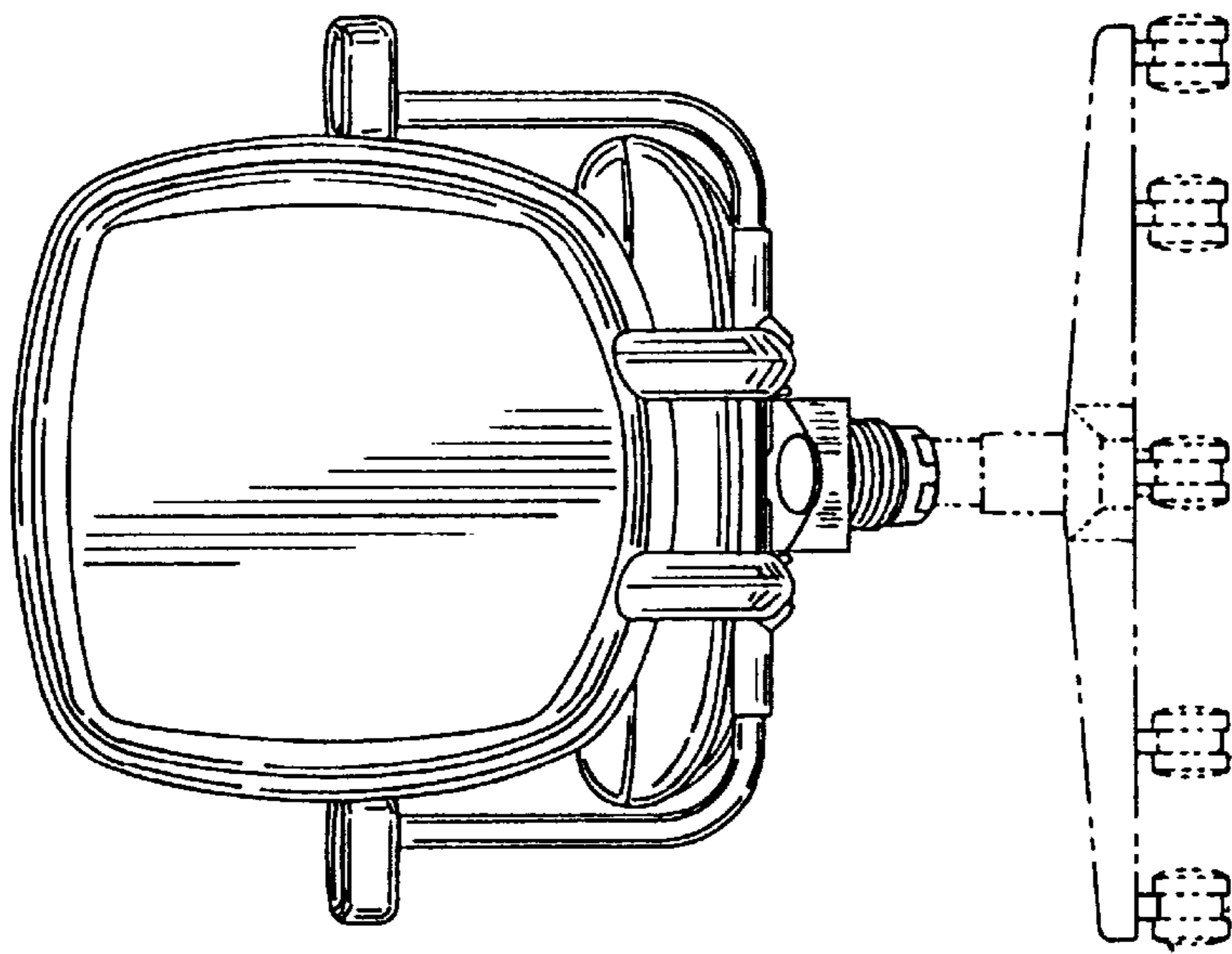


FIG.6

