



US00D398458S

# United States Patent [19]

Martell

[11] Patent Number: Des. 398,458

[45] Date of Patent: \*\*Sep. 22, 1998

[54] COMPUTER STAND

[76] Inventor: Douglas Martell, R.R. #1, D'Escousse, Nova Scotia B0E 1K0, Canada

[\*\*] Term: 14 Years

[21] Appl. No.: 64,833

[22] Filed: Jan. 10, 1997

[51] LOC (6) Cl. .... 06-04

[52] U.S. Cl. .... D6/420

[58] Field of Search ..... D6/419, 418, 420, D6/429, 462, 310, 312; 108/1, 144-148; 211/42, 43; 248/188.4, 441.1, 445, 446, 449, 454, 455, 165; 312/223.2, 223.3, 194-196

[56] **References Cited**

**U.S. PATENT DOCUMENTS**

D. 236,045	7/1975	Petrie	.....	D6/420
D. 293,397	12/1987	Hunt	.....	D6/429
D. 296,851	7/1988	Kelley	.....	D6/420
D. 306,105	2/1990	Newhouse	.....	D6/420
D. 360,777	8/1995	Glebe	.....	D6/419
D. 370,795	6/1996	Skov et al.	.....	D6/420
D. 376,931	12/1996	Fewchuk	.....	D6/425
651,058	6/1900	Rogers	.....	248/441.1
674,668	5/1901	Bisler	.....	248/441.1
816,507	3/1906	Smering	.....	248/449

4,248,161	2/1981	Adair et al.	.....	D6/429 X
4,378,102	3/1983	Portis, Jr. et al.	.....	D6/419 X
4,726,556	2/1988	Weir	.....	248/454

Primary Examiner—James Gandy  
Assistant Examiner—Linda Brooks  
Attorney, Agent, or Firm—Ian Fincham

[57] **CLAIM**

The ornamental design for a computer stand, as shown and described.

**DESCRIPTION**

FIG. 1 is a perspective view of the design;  
FIG. 2 is a side elevational view of one side of the design;  
FIG. 3 is a side elevational view of the other side of the design;  
FIG. 4 is a front view of the design;  
FIG. 5 is a back view of the design;  
FIG. 6 is a back view of the design in a folded position;  
FIG. 7 is a front view of the design in a folded position;  
FIG. 8 is a perspective view of the design in a folded position; and,  
FIG. 9 is a perspective view of another embodiment of the design, the only differences being the omission of the rear and lower knobs and the placement and configuration of the bottom shelf element.

1 Claim, 7 Drawing Sheets

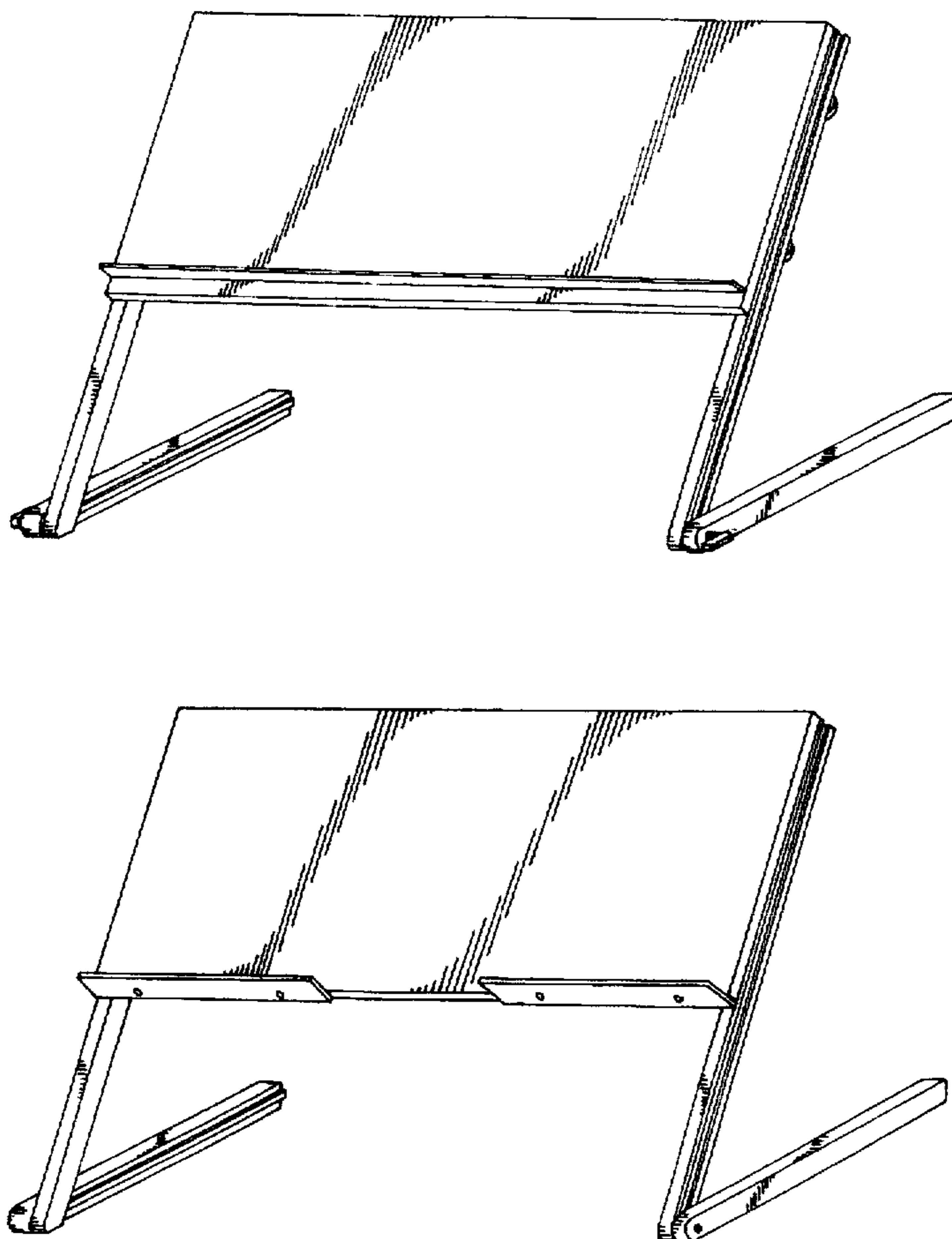
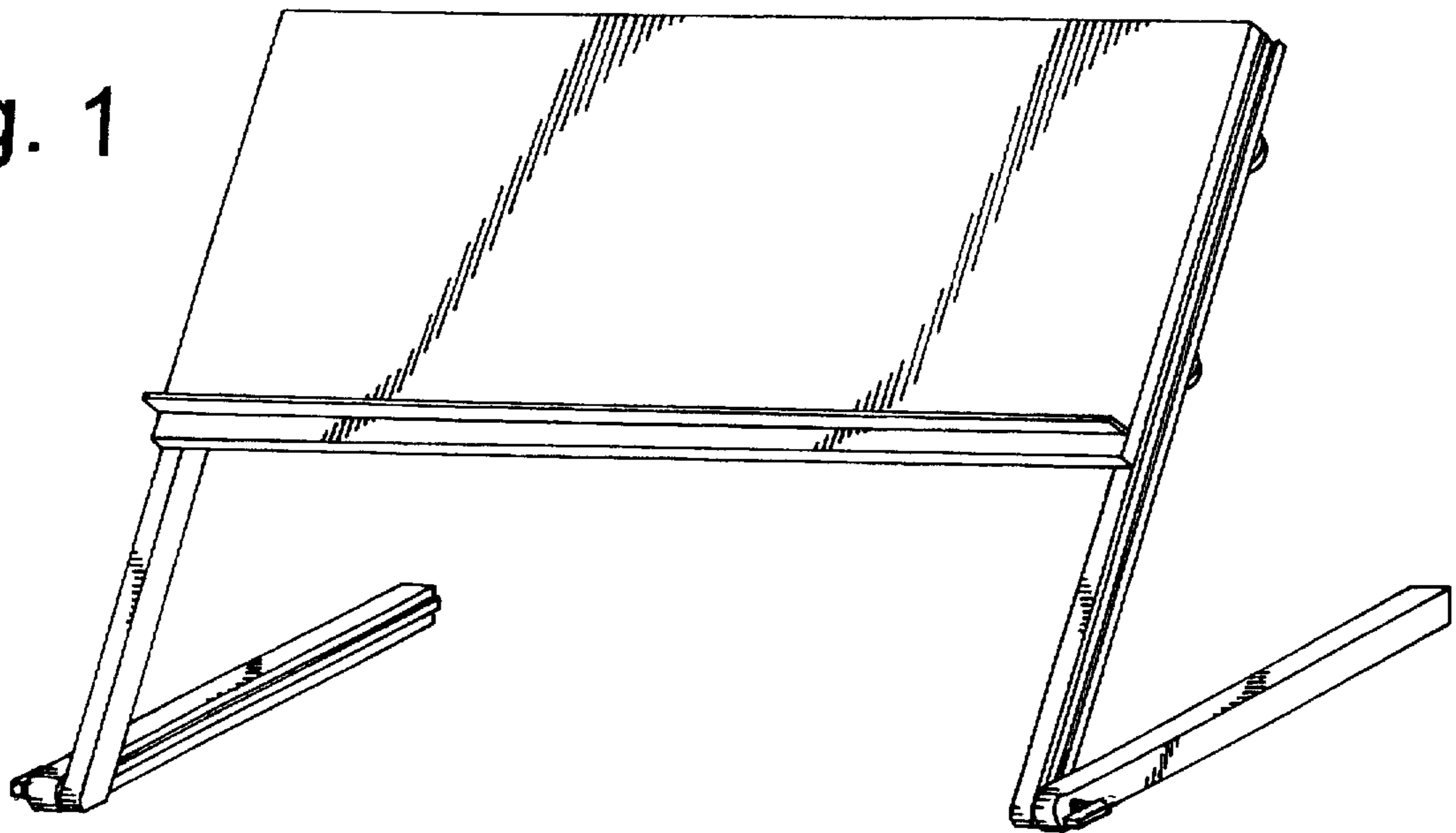


Fig. 1



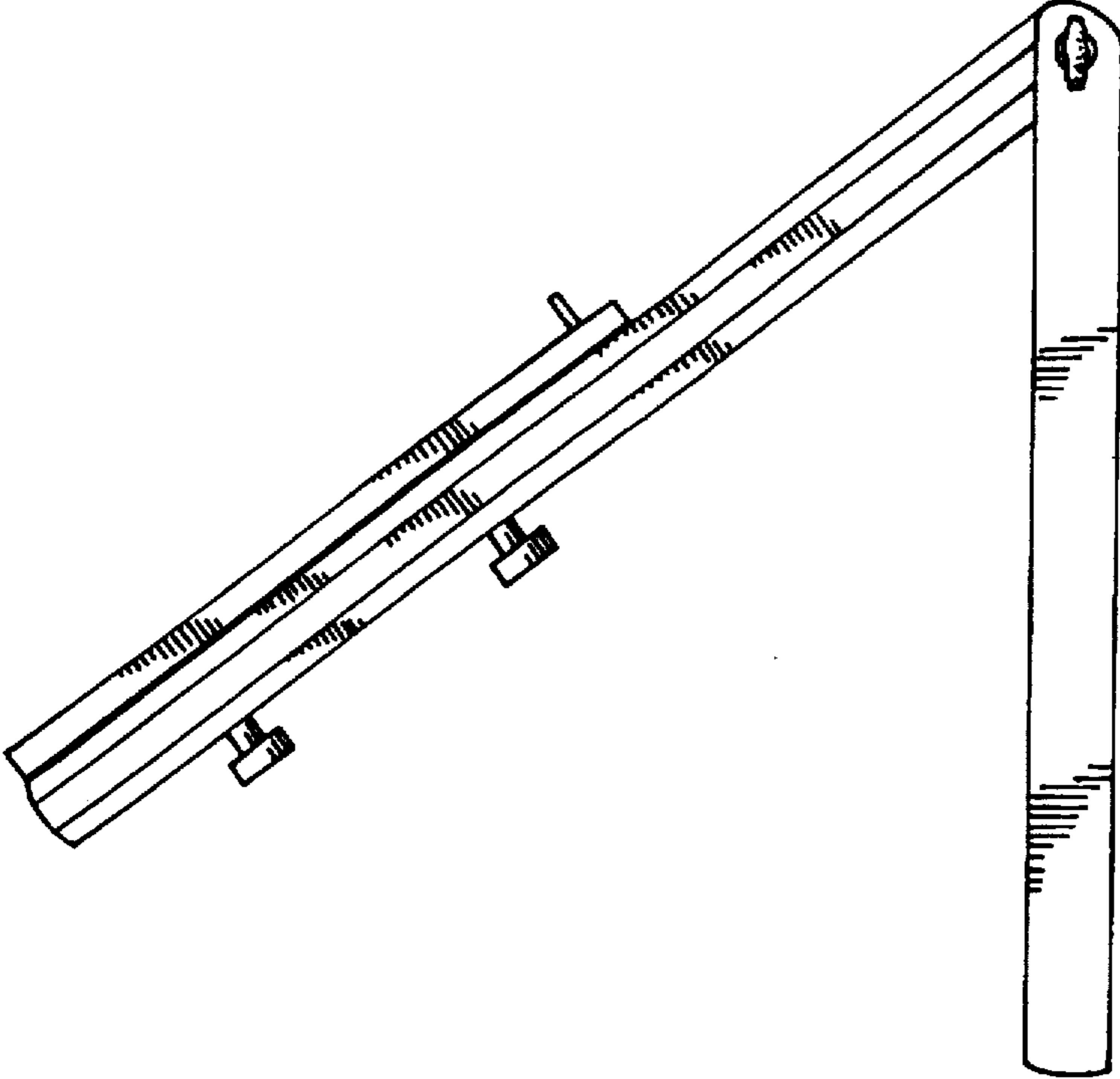


Fig. 3

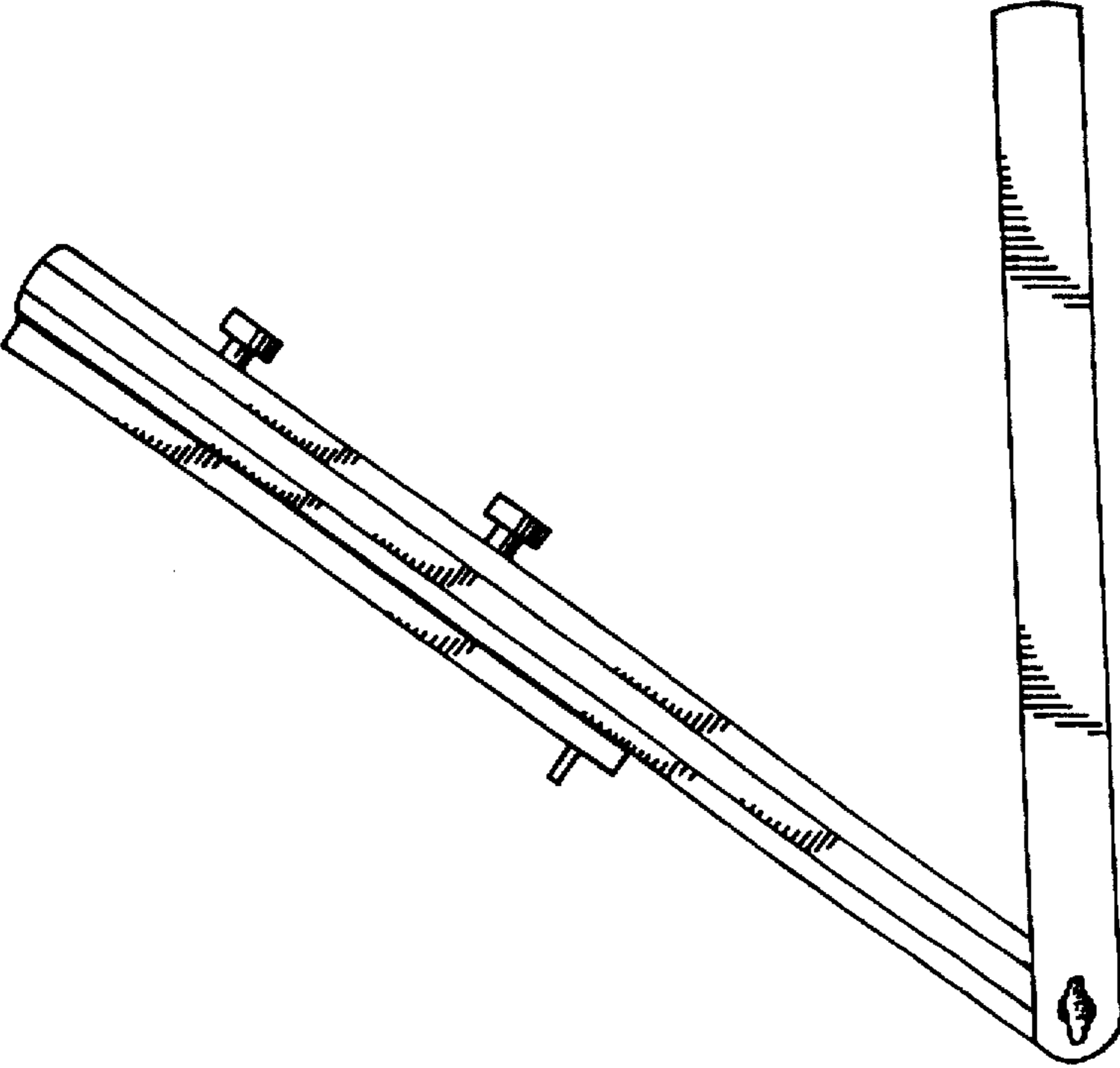
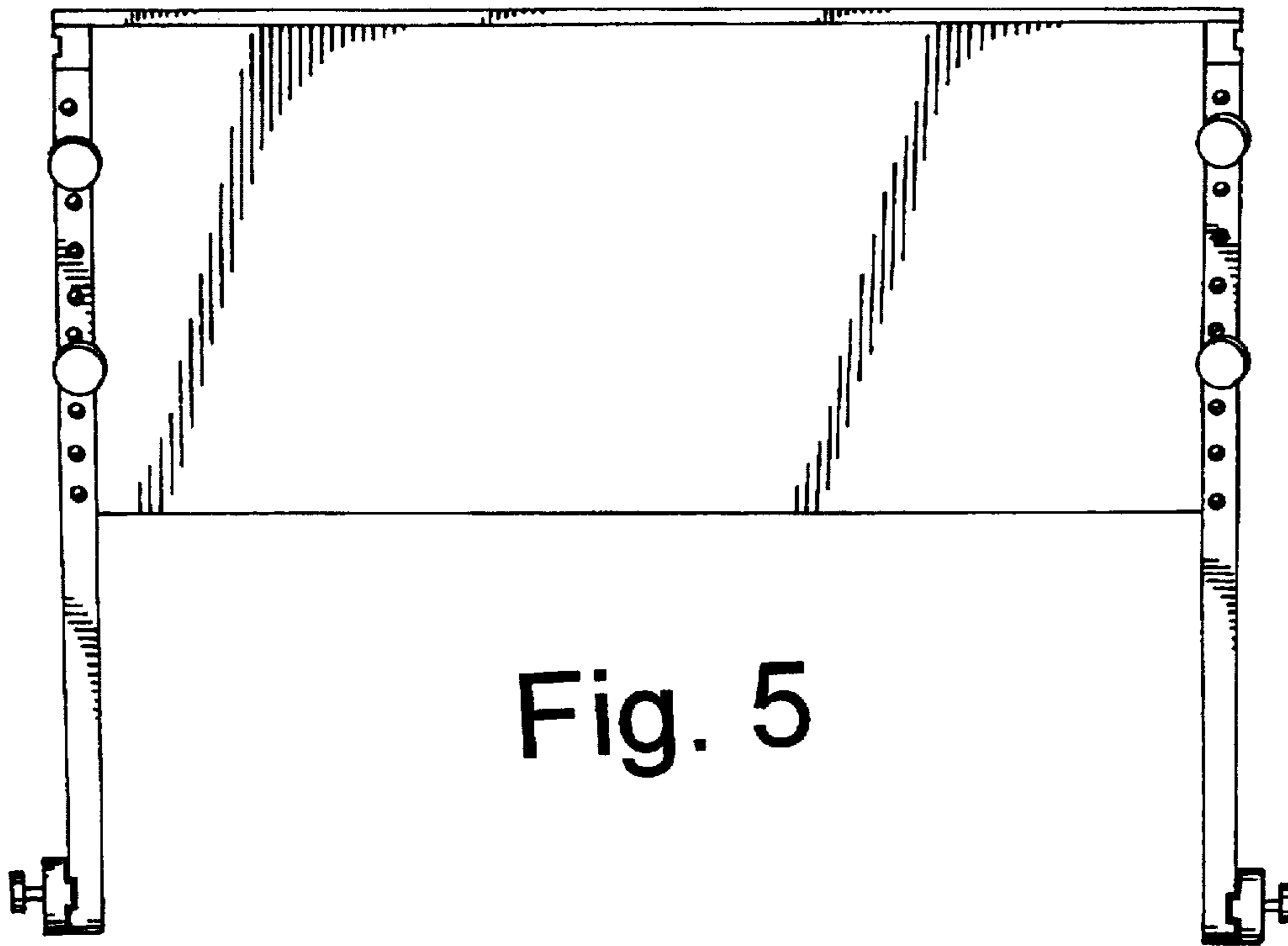
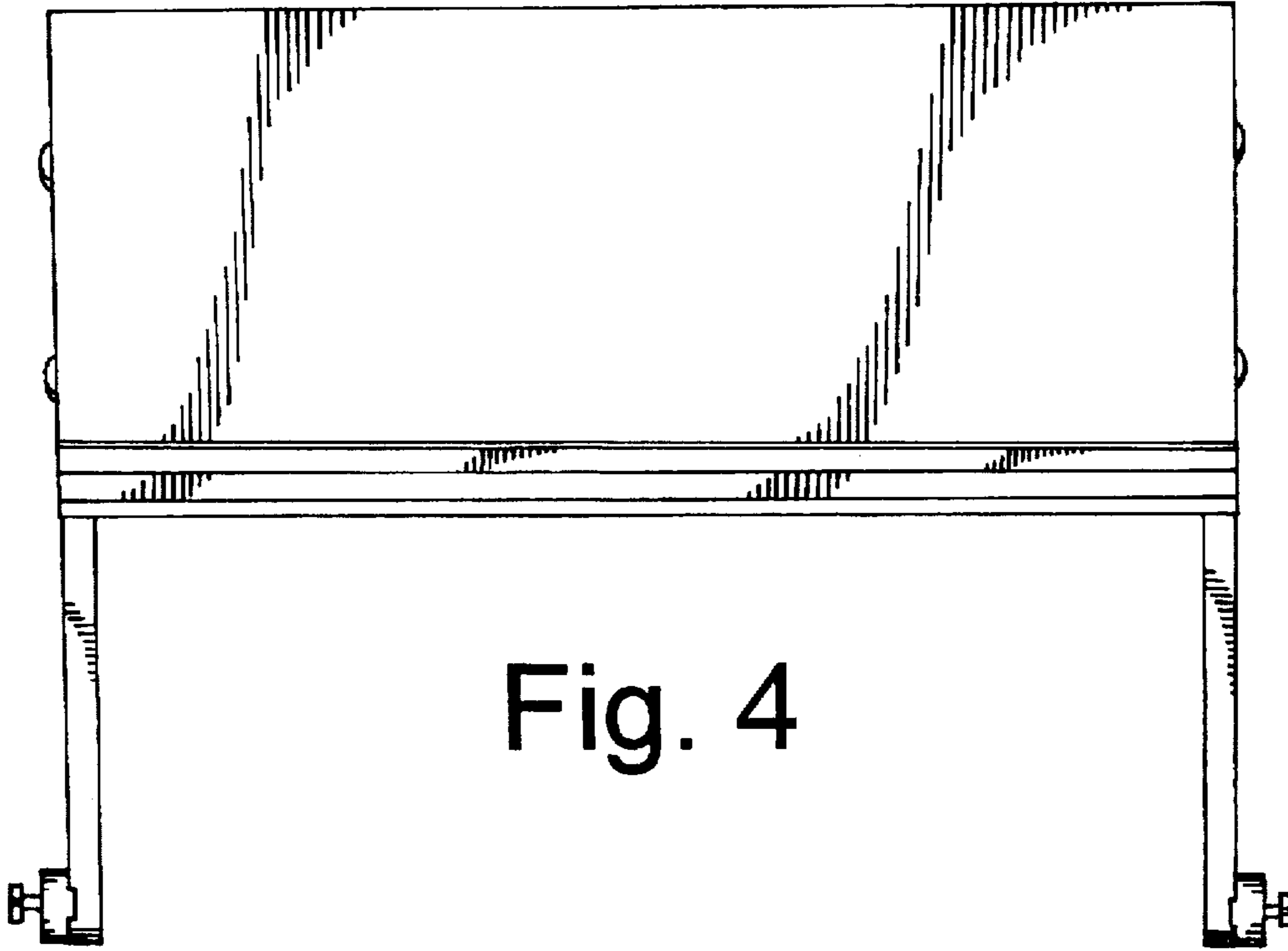


Fig. 2



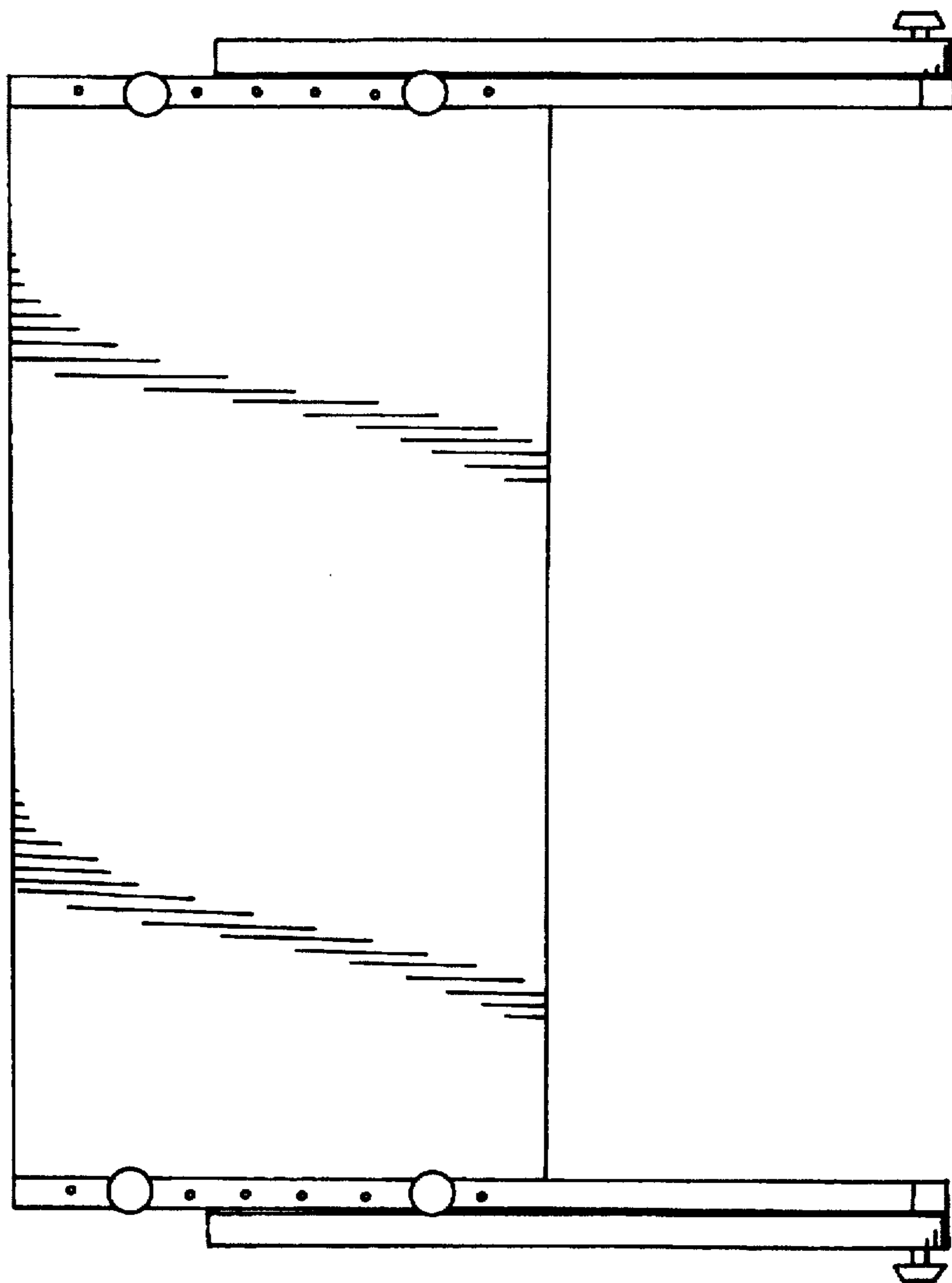


Fig. 6

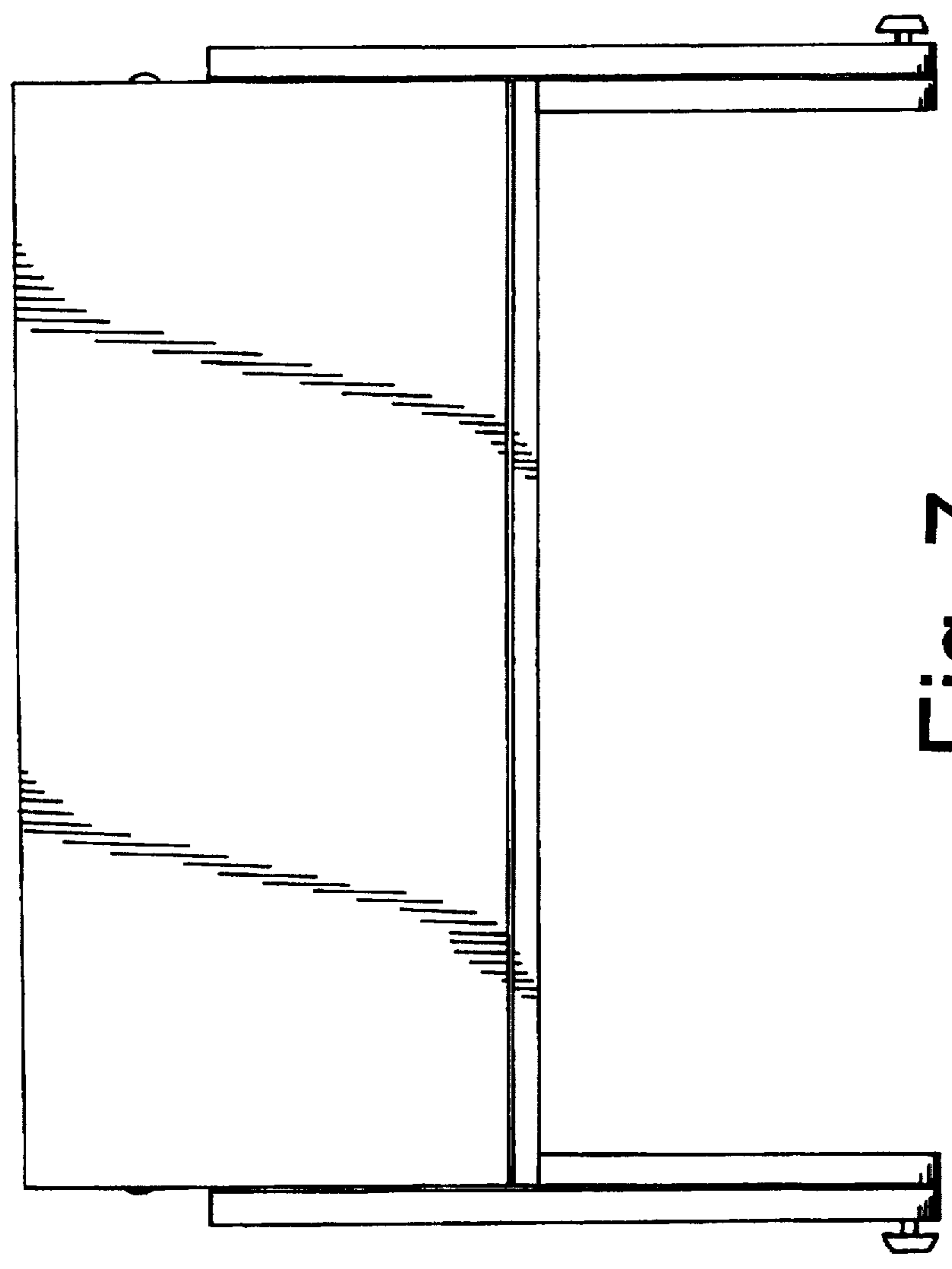


Fig. 7

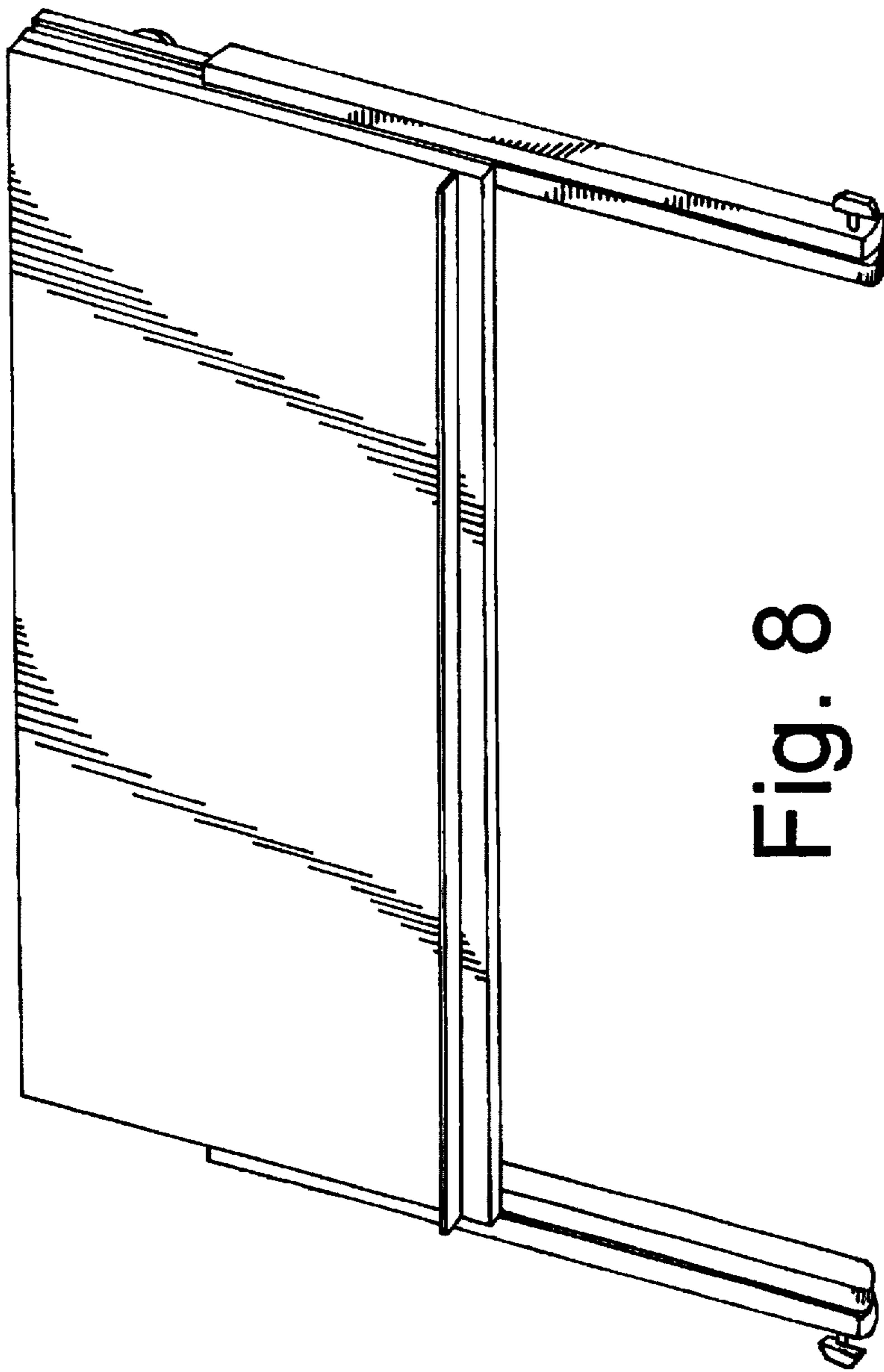


Fig. 8



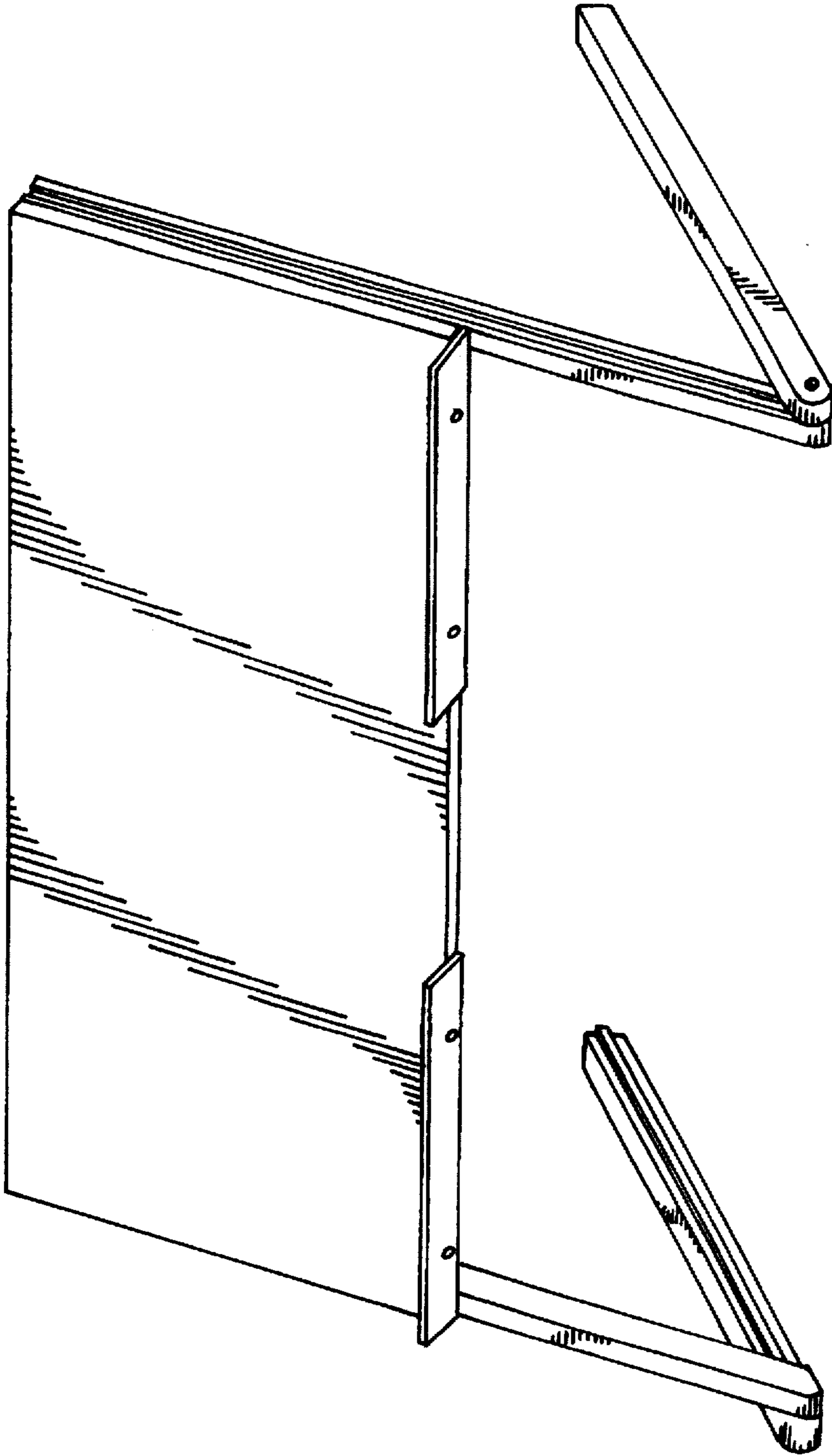


Fig. 9