



US00D398455S

United States Patent [19]

Lee

[11] Patent Number: **Des. 398,455**

[45] Date of Patent: ****Sep. 22, 1998**

[54] **CHAIR**

[76] Inventor: **Chain-Shin Lee**, No. 303, Tzuli 1st Rd., Sanmin Dist., Kaohsiung, Taiwan

[**] Term: **14 Years**

[21] Appl. No.: **77,229**

[22] Filed: **Sep. 29, 1997**

[51] **LOC (6) Cl.** **06-01**

[52] **U.S. Cl.** **D6/370; D6/380**

[58] **Field of Search** D6/334, 370, 374, D6/376, 379, 380, 500, 501, 502; 297/440.21, 445.1, 452.18

[56] **References Cited**

U.S. PATENT DOCUMENTS

D. 156,835	1/1950	Mc Neill	D6/380
D. 198,907	8/1964	Petersen	D6/380
D. 199,058	9/1964	Jakobsen	D6/380
D. 208,465	9/1967	Parker	D6/380

D. 290,192	6/1987	Lee	D6/380 X
D. 346,504	5/1994	Wegener	D6/380
D. 349,612	8/1994	Ward	D6/370
874,203	12/1907	Jackson	297/440.21 X

Primary Examiner—Gary D. Watson
Attorney, Agent, or Firm—Peterson, Wicks, Nemer & Kamrath, P.A.

[57] **CLAIM**

The ornamental design for a chair, as shown.

DESCRIPTION

FIG. 1 is a front, top and left perspective view of a chair showing my new design;
FIG. 2 is a front view thereof;
FIG. 3 is a rear view thereof;
FIG. 4 is a left side elevational view thereof;
FIG. 5 is a right side elevational view thereof;
FIG. 6 is a top plan view thereof; and,
FIG. 7 is a bottom plan view thereof.

1 Claim, 4 Drawing Sheets

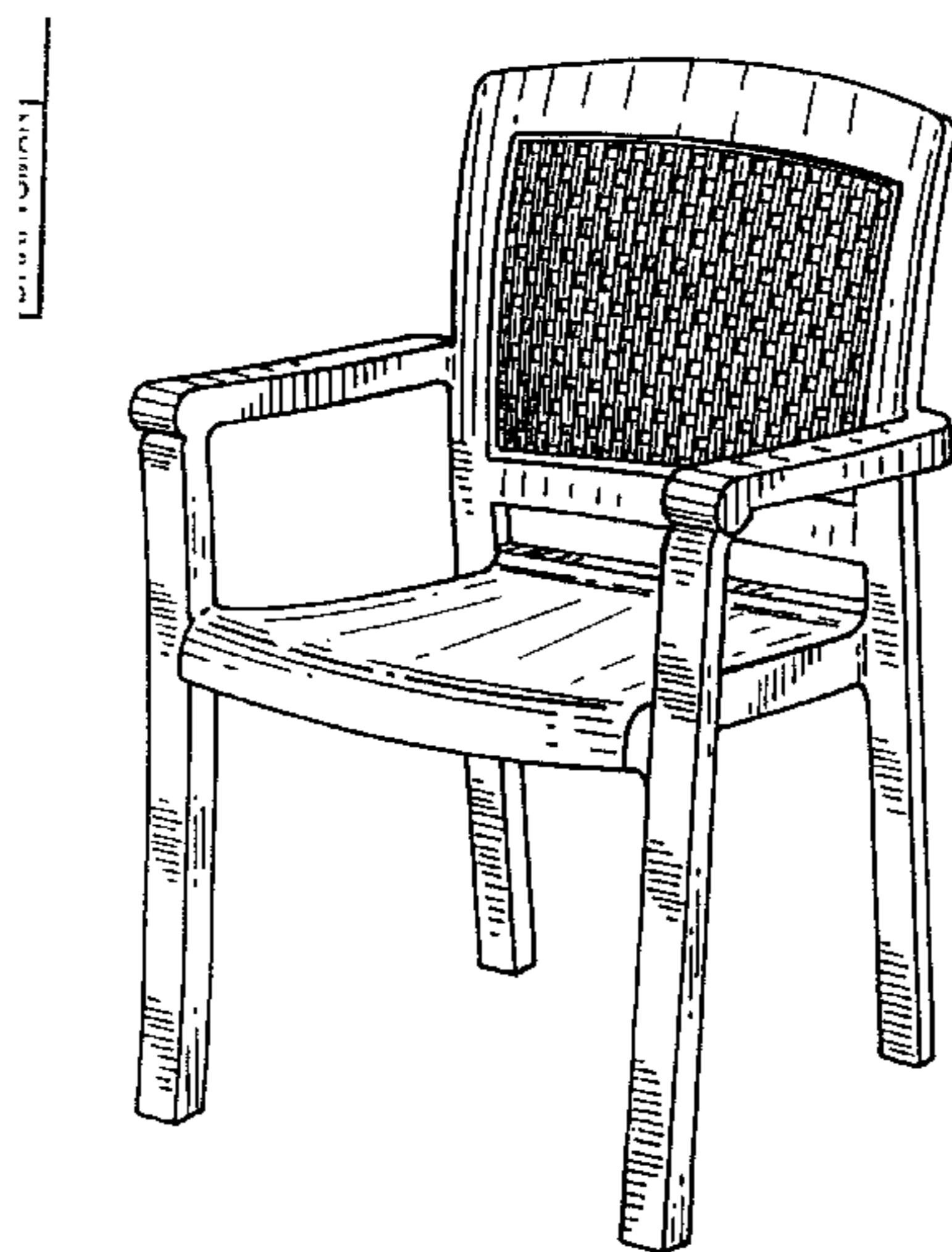


FIG. 1

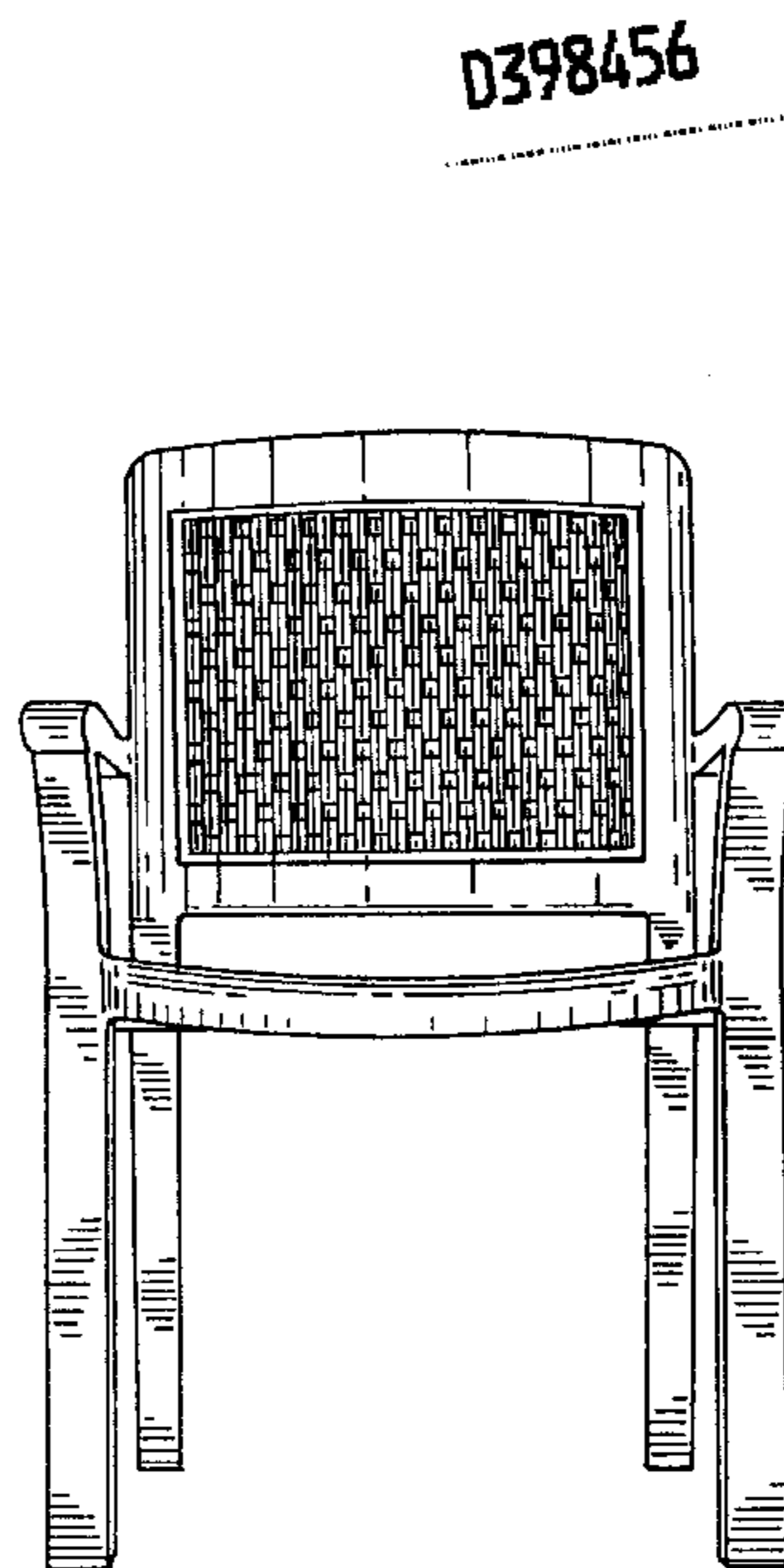


FIG. 2

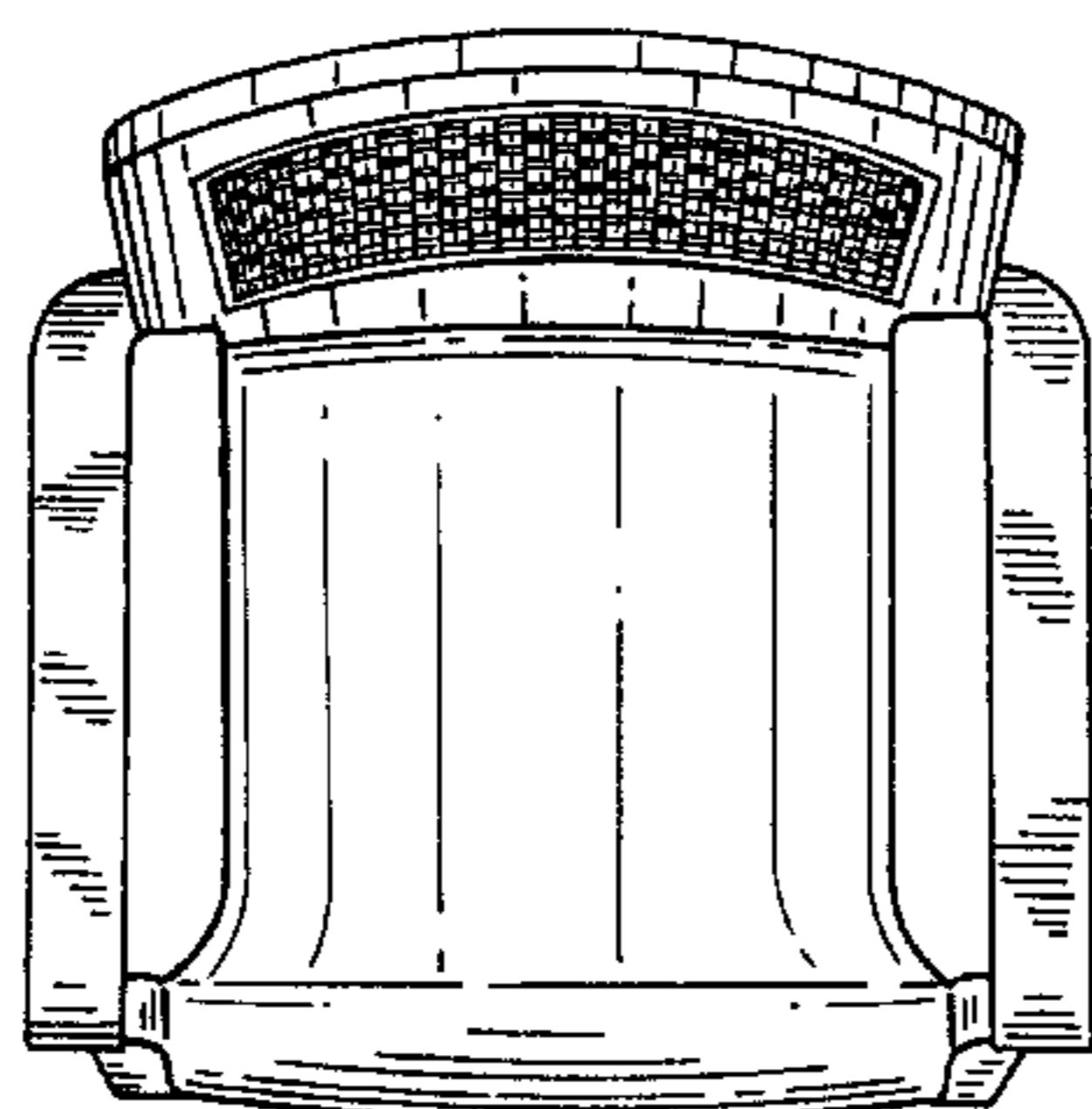


FIG. 3

D398456

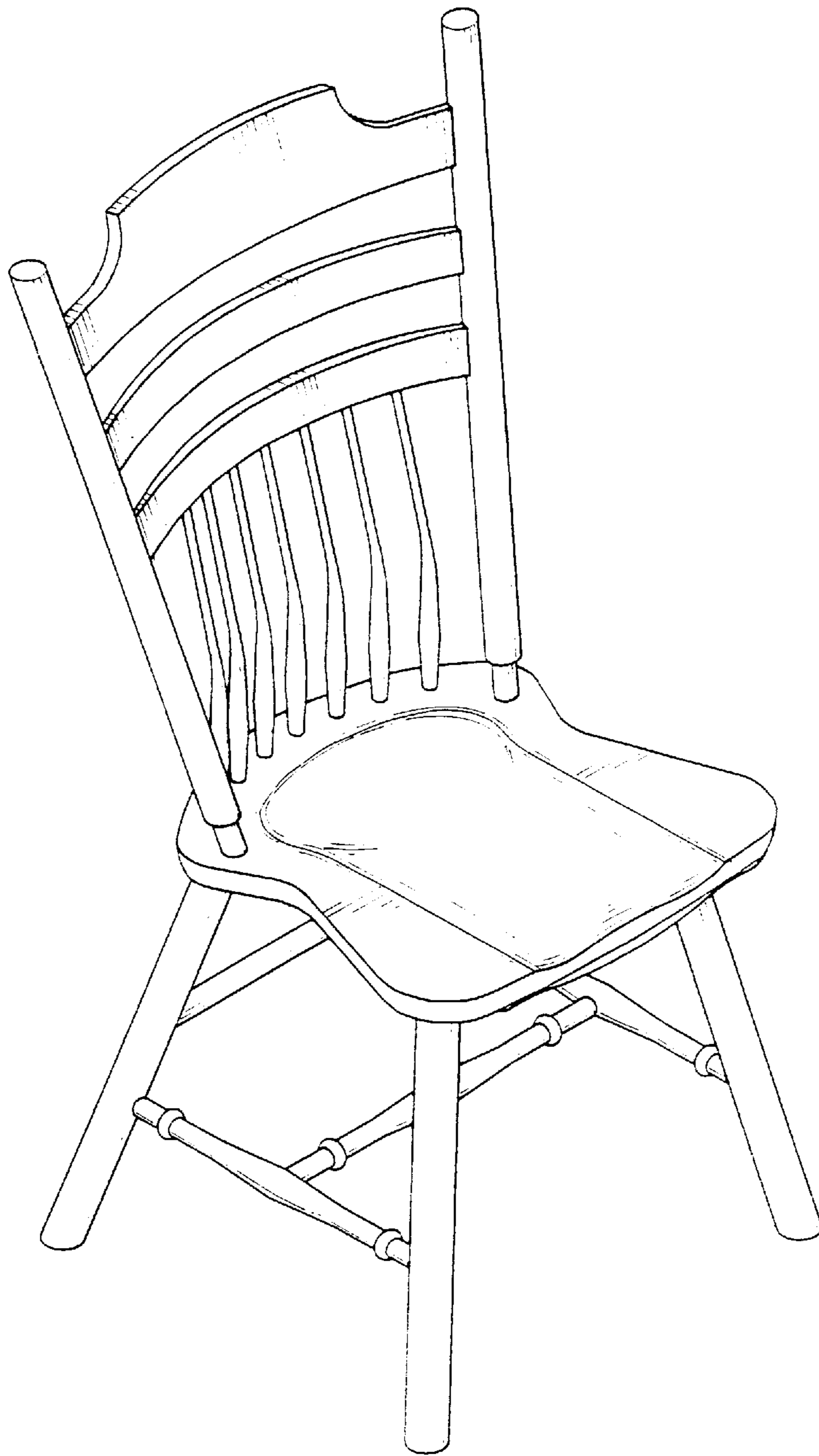


FIG. 1

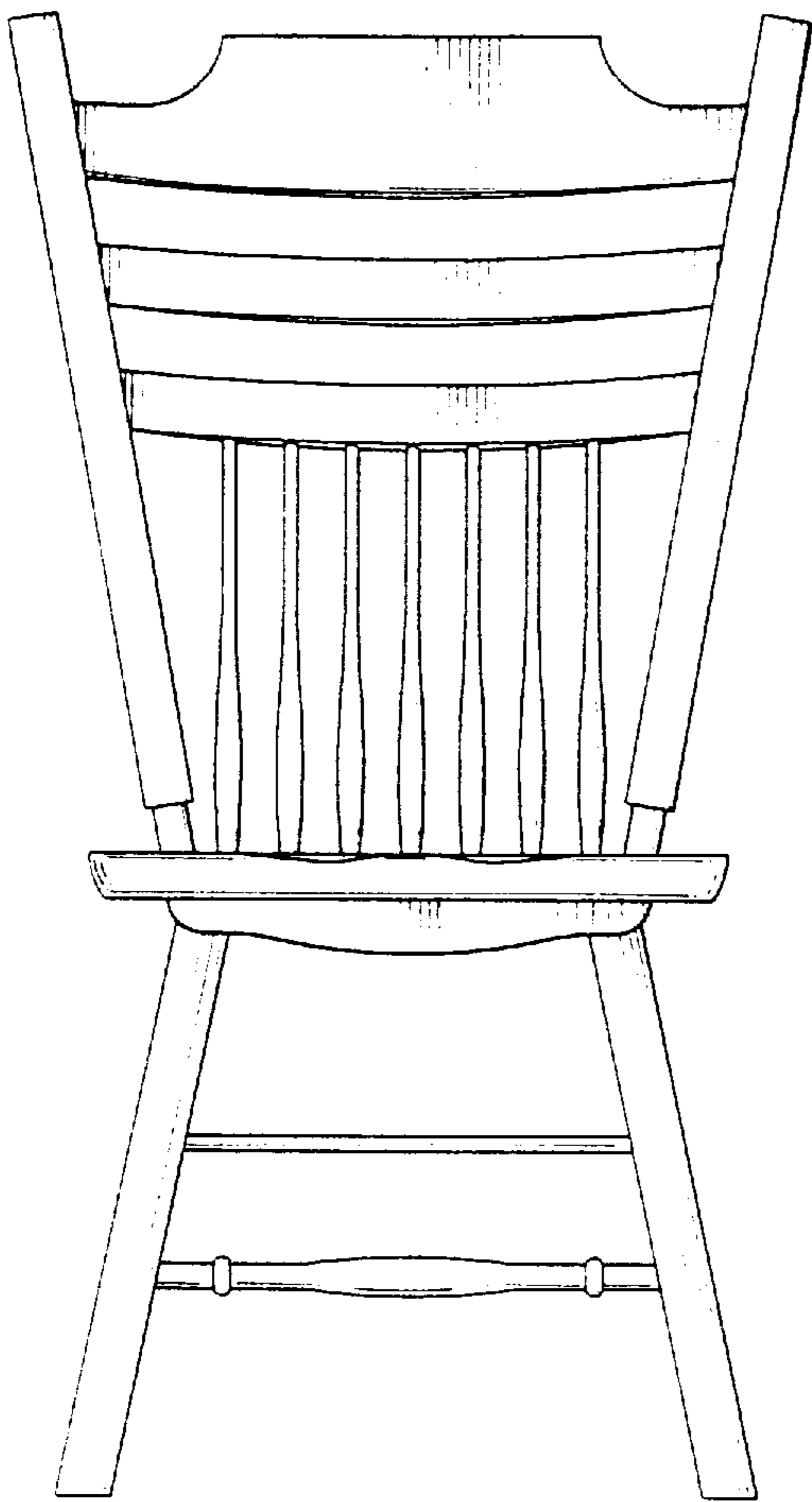


FIG. 2

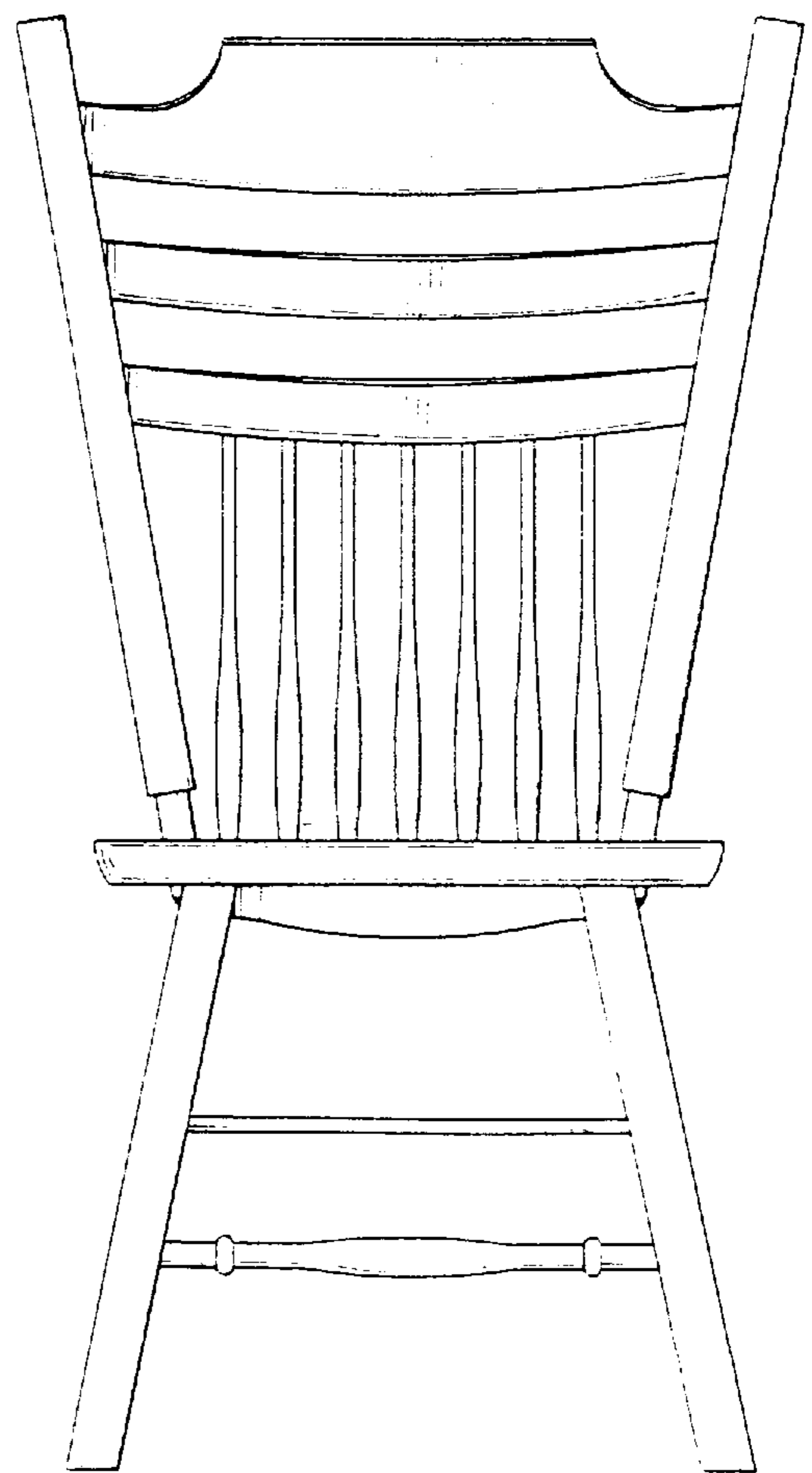


FIG. 3

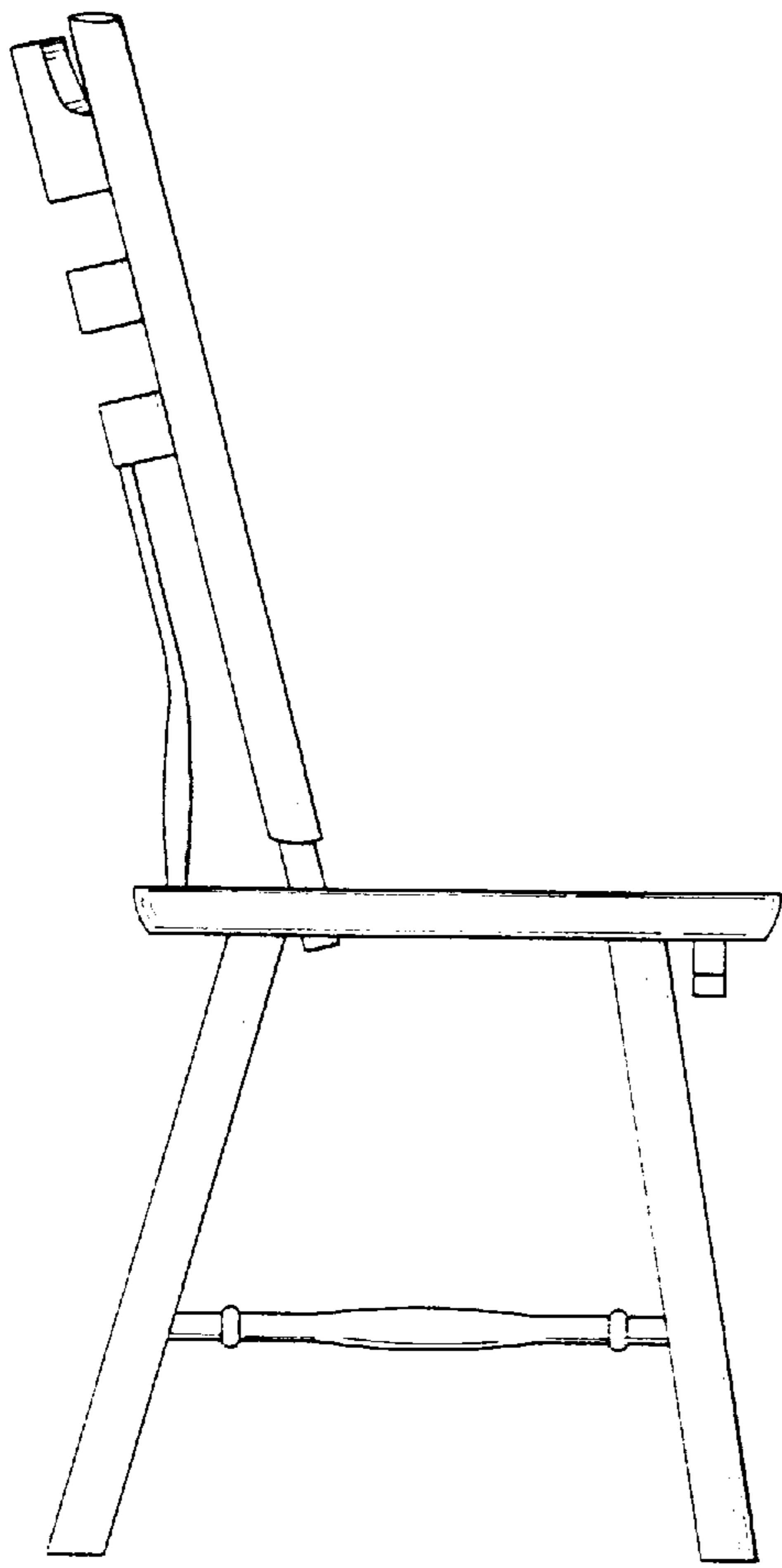


FIG. 4

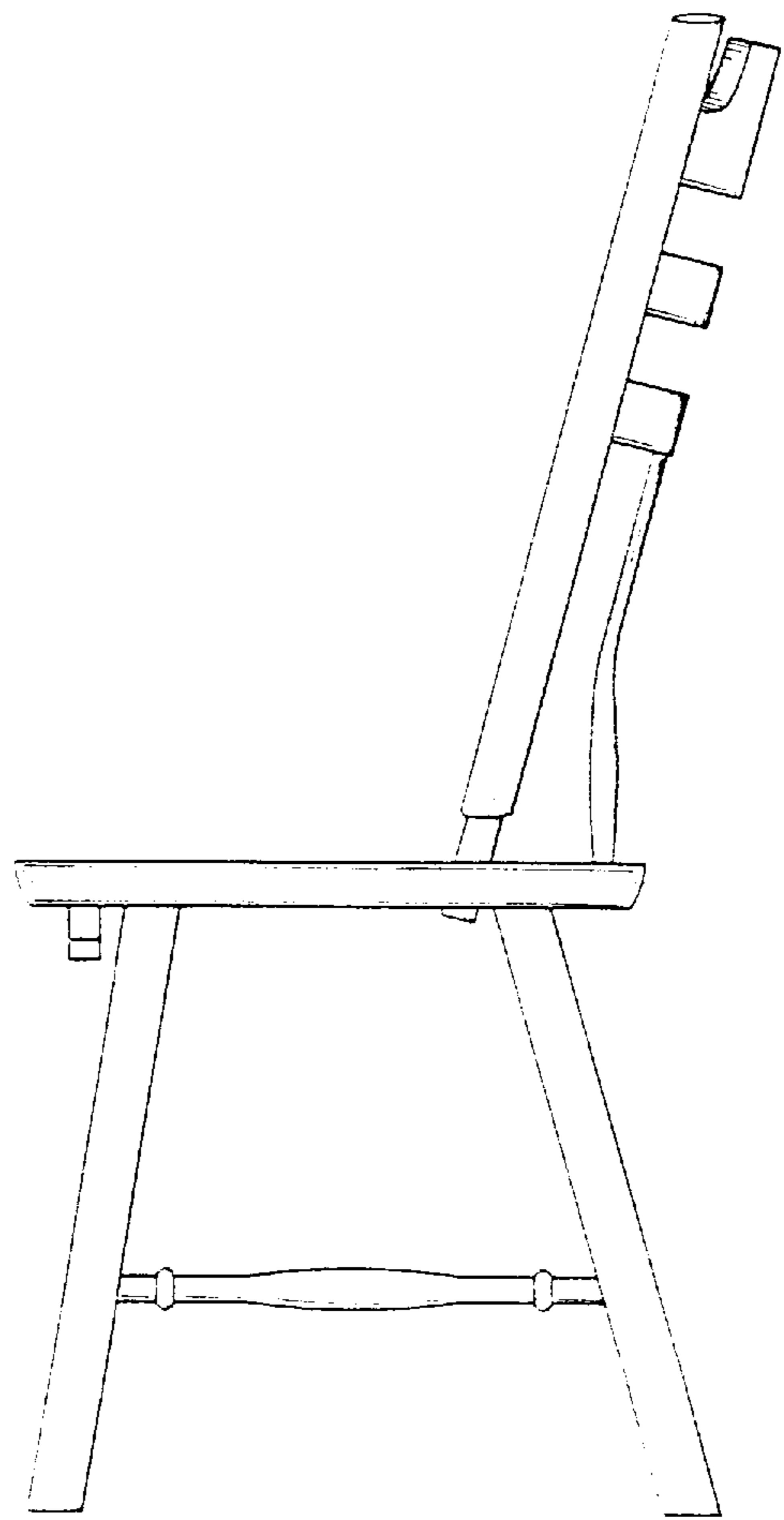


FIG. 5

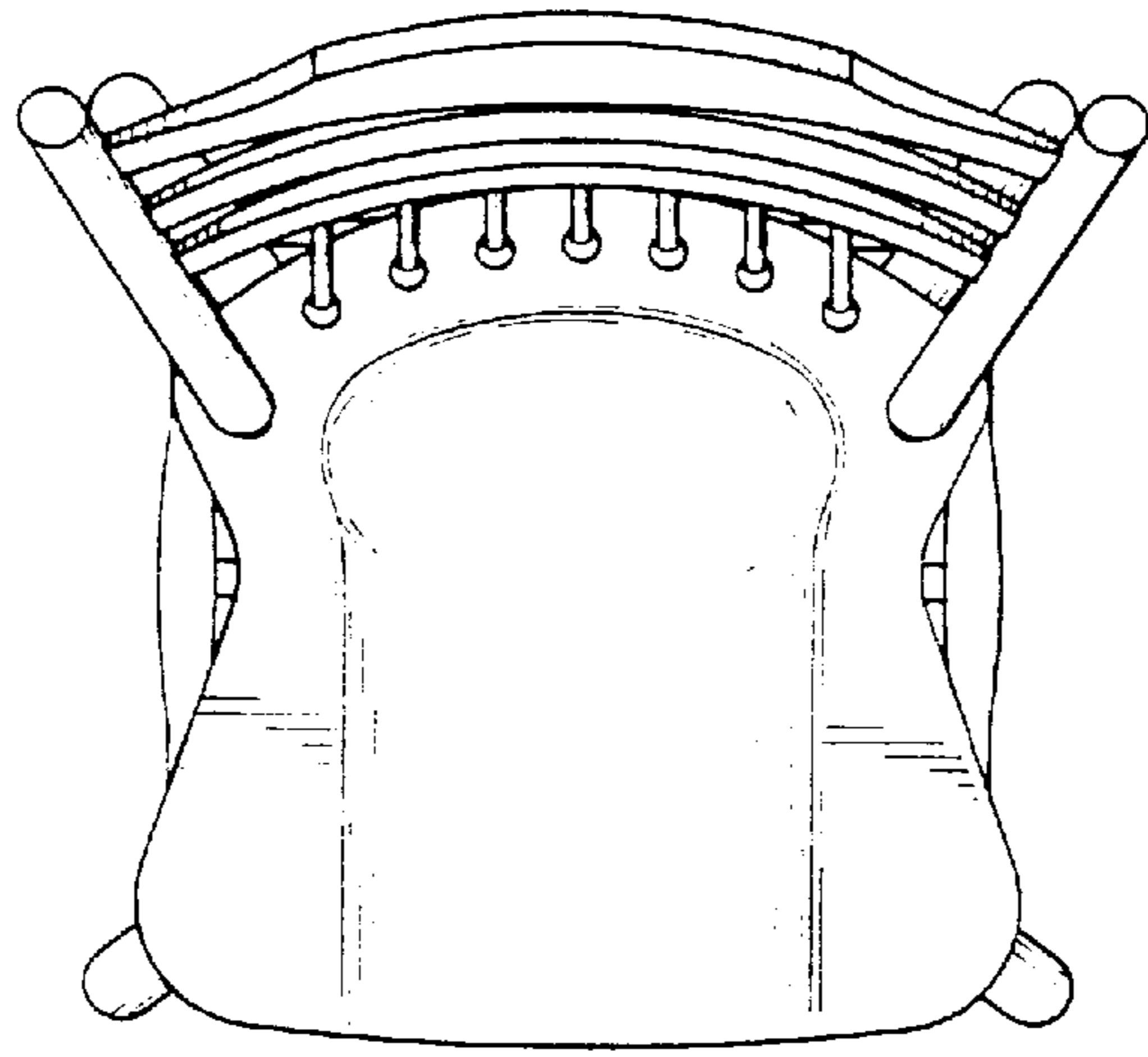


FIG. 6

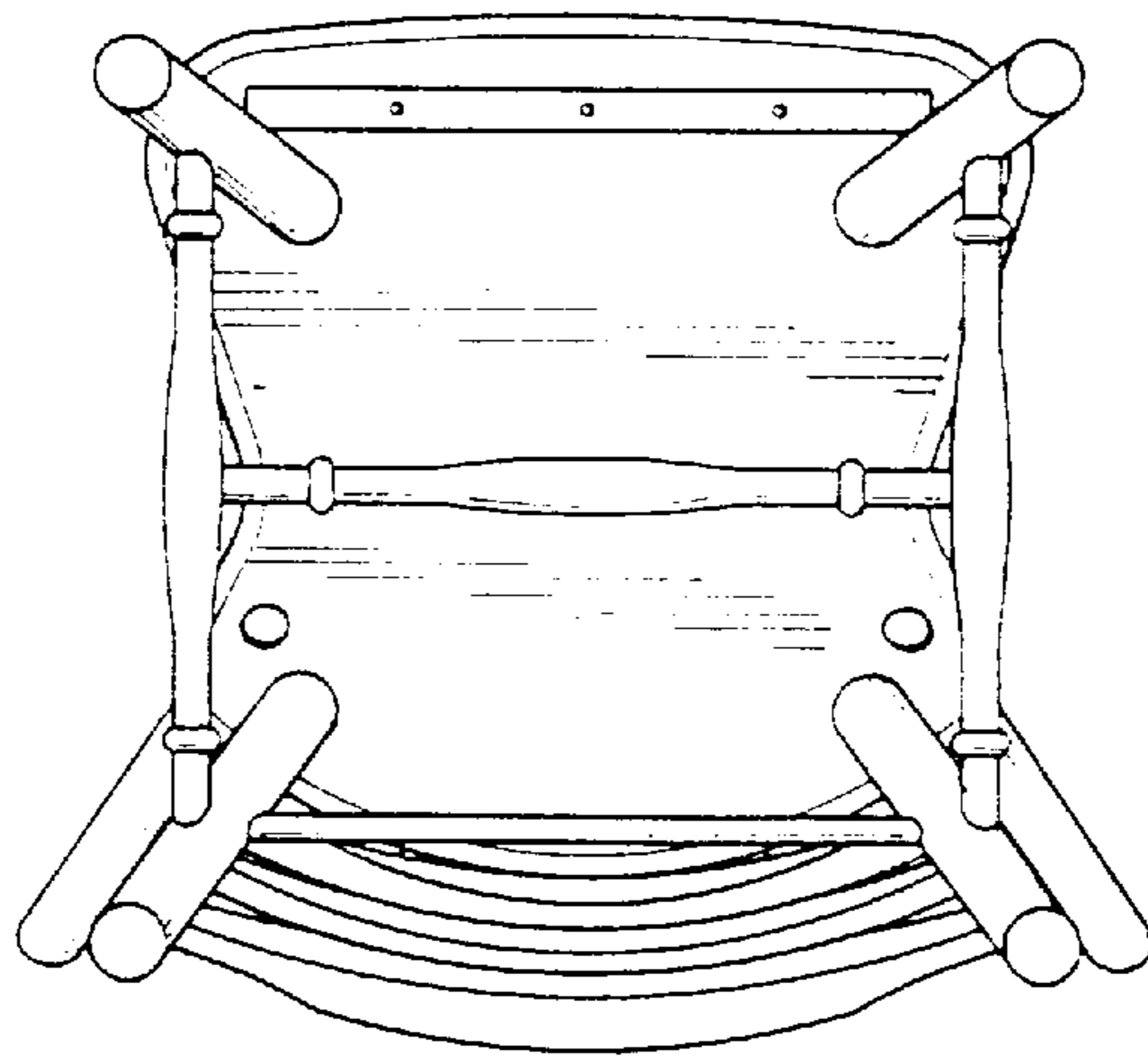


FIG. 7

UNITED STATES PATENT AND TRADEMARK OFFICE
CERTIFICATE OF CORRECTION

Page 1 of 2

PATENT NO. : Des. 398,455
DATED : September 22, 1998
INVENTOR(S) : Chain-Shin Lee

It is certified that error appears in the above-identified patent and that said Letters Patent is hereby corrected as shown below:

Cover page, cancel Figs. 1-3 and substitute therefor the enclosed Figure 1.

Signed and Sealed this
Twenty-third Day of March, 1999

Attest:



Q. TODD DICKINSON

Attesting Officer

Acting Commissioner of Patents and Trademarks

United States Patent [19]
Lee

[11] **Patent Number: Des. 398,455**
[45] **Date of Patent: **Sep. 22, 1998**

[54] **CHAIR**

[76] **Inventor: Chain-Shin Lee, No. 303, Tzuli 1st Rd., Sanmin Dist., Kaohsiung, Taiwan**

[**] **Term: 14 Years**

[21] **Appl. No.: 77,229**

[22] **Filed: Sep. 29, 1997**

[51] **LOC (6) Cl. 06-01**

[52] **U.S. Cl. D6/370; D6/380**

[58] **Field of Search D6/334, 370, 374, D6/376, 379, 380, 500, 501, 502; 297/440.21, 445.1, 452.18**

[56] **References Cited**

U.S. PATENT DOCUMENTS

D. 156,835	1/1950	Mc Neill	D6/380
D. 198,907	8/1964	Petersen	D6/380
D. 199,058	9/1964	Jakobsen	D6/380
D. 208,465	9/1967	Parker	D6/380

D. 290,192	6/1987	Lee	D6/380 X
D. 346,504	5/1994	Wegener	D6/380
D. 349,612	8/1994	Ward	D6/370
874,203	12/1907	Jackson	297/440.21 X

Primary Examiner—Gary D. Watson
Attorney, Agent, or Firm—Peterson, Wicks, Nemer & Kamrath, P.A.

[57] **CLAIM**

The ornamental design for a chair, as shown.

DESCRIPTION

FIG. 1 is a front, top and left perspective view of a chair showing my new design;
FIG. 2 is a front view thereof;
FIG. 3 is a rear view thereof;
FIG. 4 is a left side elevational view thereof;
FIG. 5 is a right side elevational view thereof;
FIG. 6 is a top plan view thereof; and,
FIG. 7 is a bottom plan view thereof.

1 Claim, 4 Drawing Sheets

