



US00D398446S

# United States Patent [19]

Hosea

[11] **Patent Number: Des. 398,446**

[45] **Date of Patent: \*\*Sep. 22, 1998**

[54] **PAYMENT BOOKLET HOLDER**

[76] Inventor: **Darlene L. Hosea**, 7255 Sims Dr., Houston, Tex. 77061

[\*\*] Term: **14 Years**

[21] Appl. No.: **60,653**

[22] Filed: **Oct. 3, 1996**

[51] **LOC (6) Cl. .... 03-01**

[52] **U.S. Cl. .... D3/247; D3/253**

[58] **Field of Search .... D3/247; 150/131, 150/147, 149; 206/37, 39; 283/57, 58; 383/38, 86; D19/90**

[56] **References Cited**

**U.S. PATENT DOCUMENTS**

D. 329,517	9/1992	Vavla	.....	D9/455	X
D. 358,094	5/1995	De Giacomo, Jr.	.....	294/137	X
D. 364,421	11/1995	Harris	.....	D3/247	X
1,416,532	5/1922	Valente	.....	16/125	
1,613,380	1/1927	Broomhall	.....	150/147	X
3,311,145	3/1967	Zalk et al.	.....	383/86	X
3,616,991	11/1971	Beck	.....	383/86	X
4,017,101	4/1977	Case	.....	283/57	
4,286,639	9/1981	Murphy	.....	206/37	
5,441,323	8/1995	Goddard	.....	294/137	X
5,653,276	8/1997	Niernberger	.....	150/147	X

**FOREIGN PATENT DOCUMENTS**

7888	2/1980	European Pat. Off.	.....	294/137	
196834	9/1986	Japan	.....	16/125	
21505	9/1912	United Kingdom	.....	294/137	

*Primary Examiner*—Louis S. Zarfaz  
*Assistant Examiner*—Monica A. Weingart

*Attorney, Agent, or Firm*—Kenneth A. Roddy

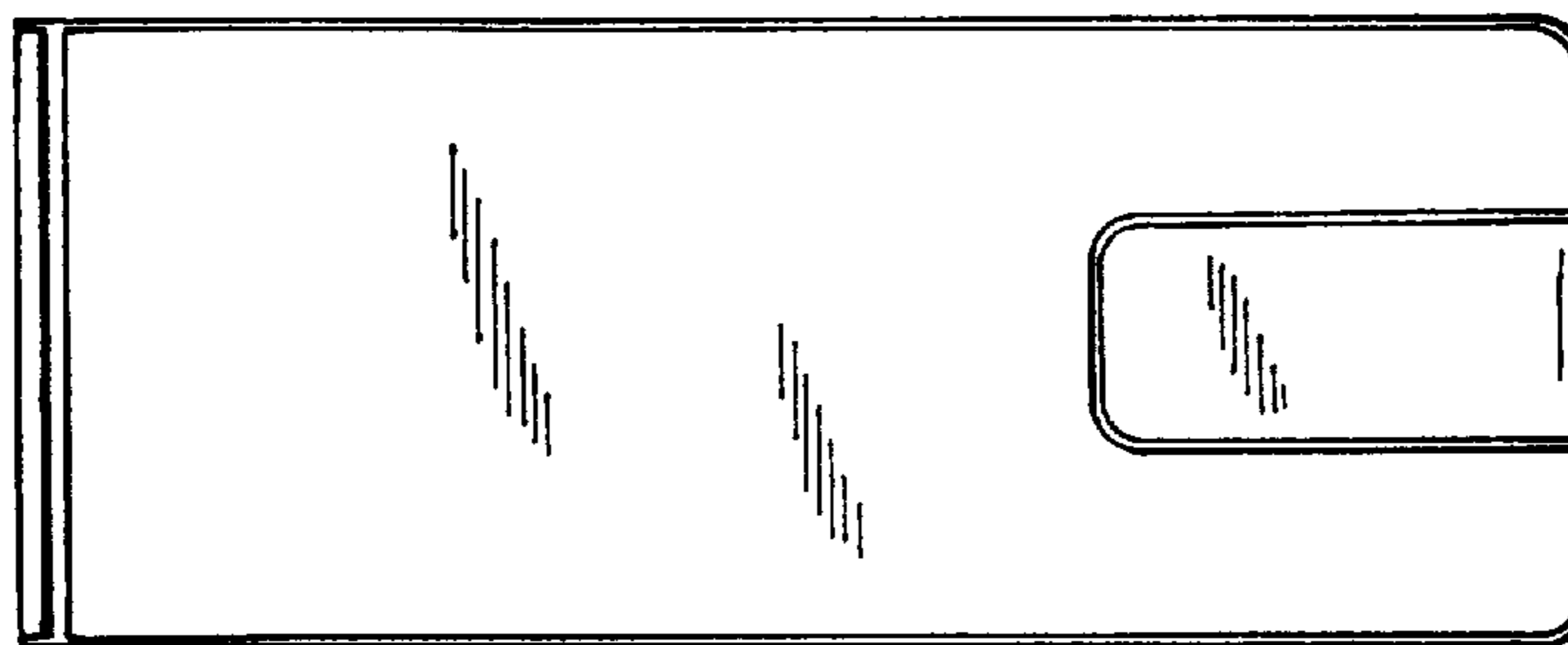
[57] **CLAIM**

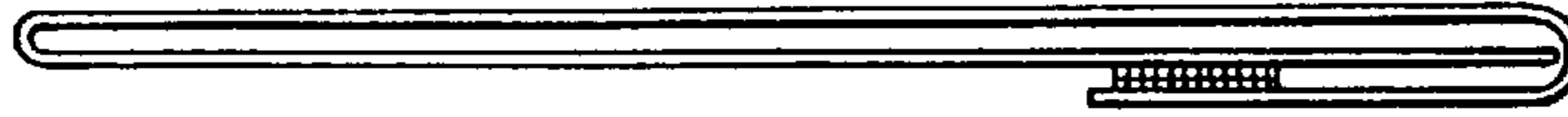
The ornamental design for a payment booklet holder, as shown and described.

**DESCRIPTION**

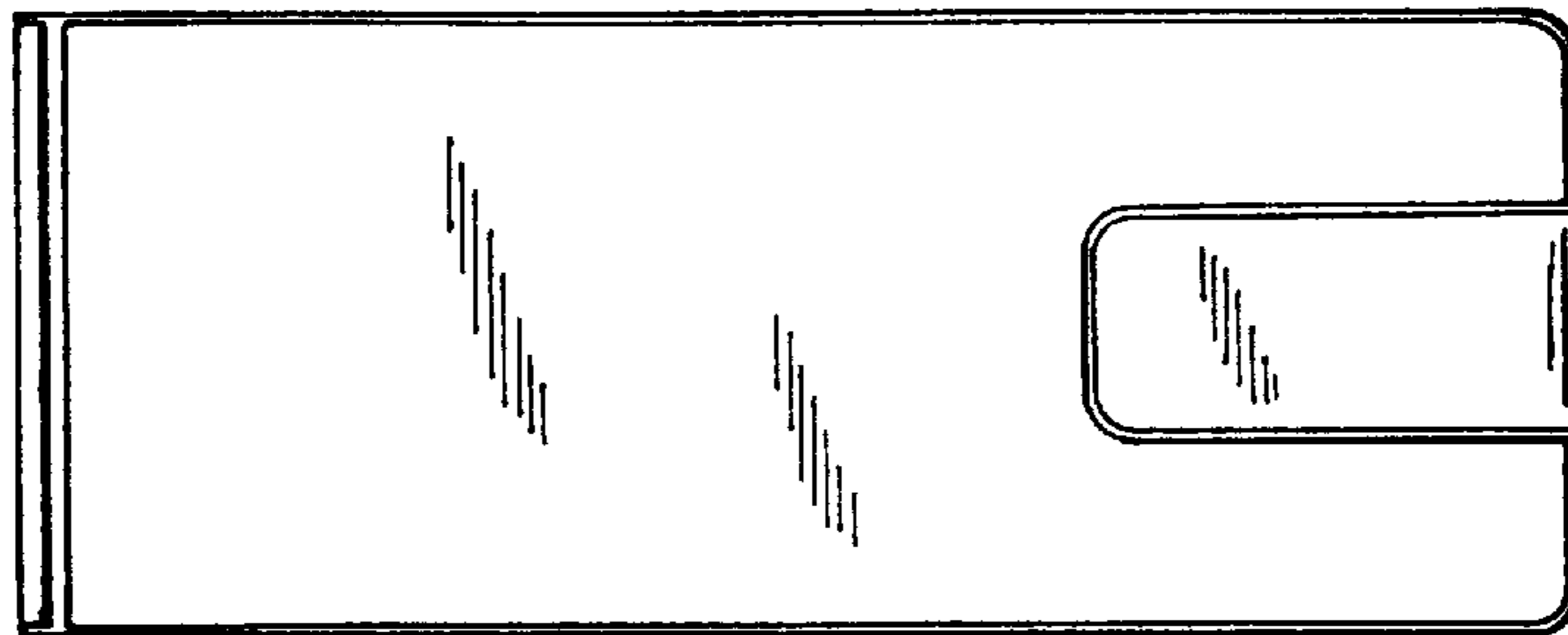
FIG. 1 is a front elevation view of a payment booklet holder showing my new design in the closed position;  
 FIG. 2 is a top plan view thereof in the closed position;  
 FIG. 3 is a rear elevation thereof in the closed position;  
 FIG. 4 is a perspective view thereof in an open position showing the interior;  
 FIG. 5 is a perspective view thereof in a partially open position;  
 FIG. 6 is a front elevation view of a second embodiment of the payment booklet holder showing my new design in the closed position;  
 FIG. 7 is a top plan view thereof in the closed position;  
 FIG. 8 is a rear elevation thereof in the closed position;  
 FIG. 9 is a perspective view thereof in an open position showing the interior;  
 FIG. 10 is a perspective view thereof in a partially open position;  
 FIG. 11 is a front elevation view of a third embodiment of the payment booklet holder showing my new design in the closed position;  
 FIG. 12 is a top plan view thereof in the closed position;  
 FIG. 13 is a rear elevation thereof in the closed position;  
 FIG. 14 is a perspective view thereof in an open position showing the interior; and,  
 FIG. 15 is a perspective view thereof in a partially open position.

**1 Claim, 7 Drawing Sheets**

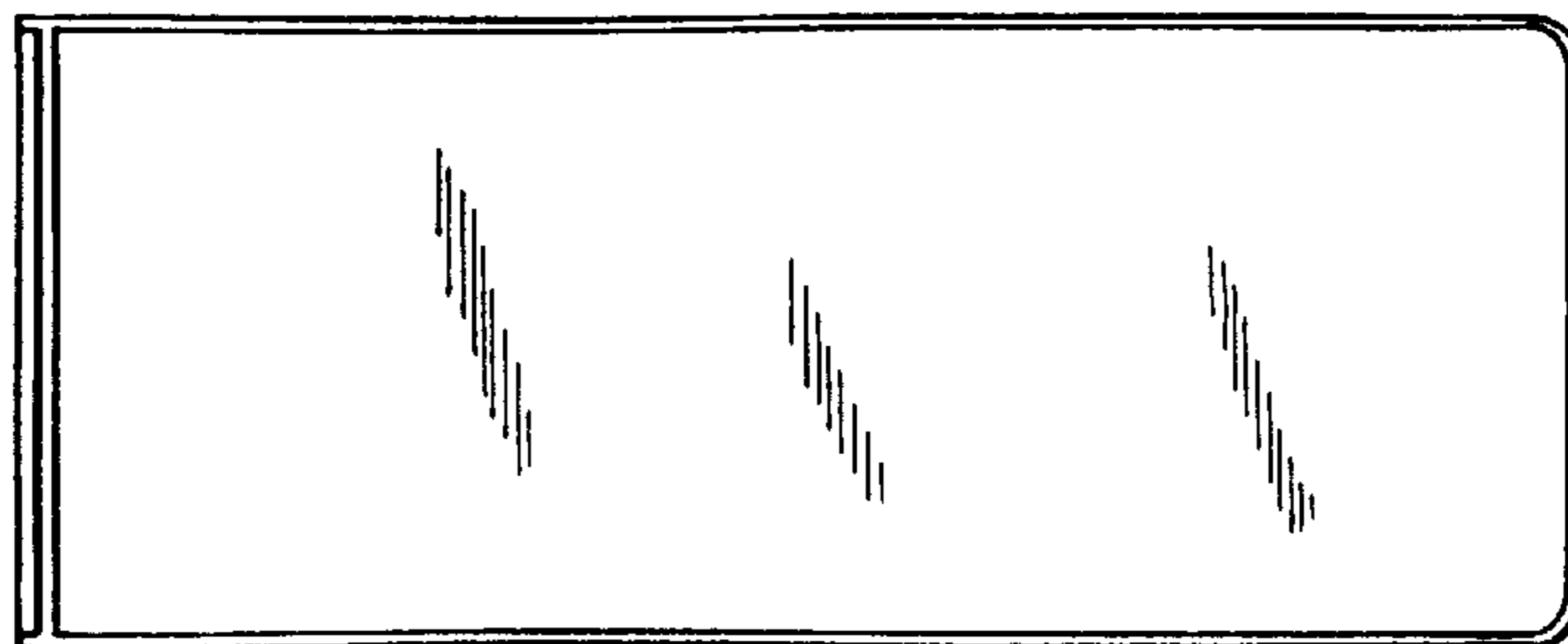




**fig. 2**



**fig. 1**



**fig. 3**

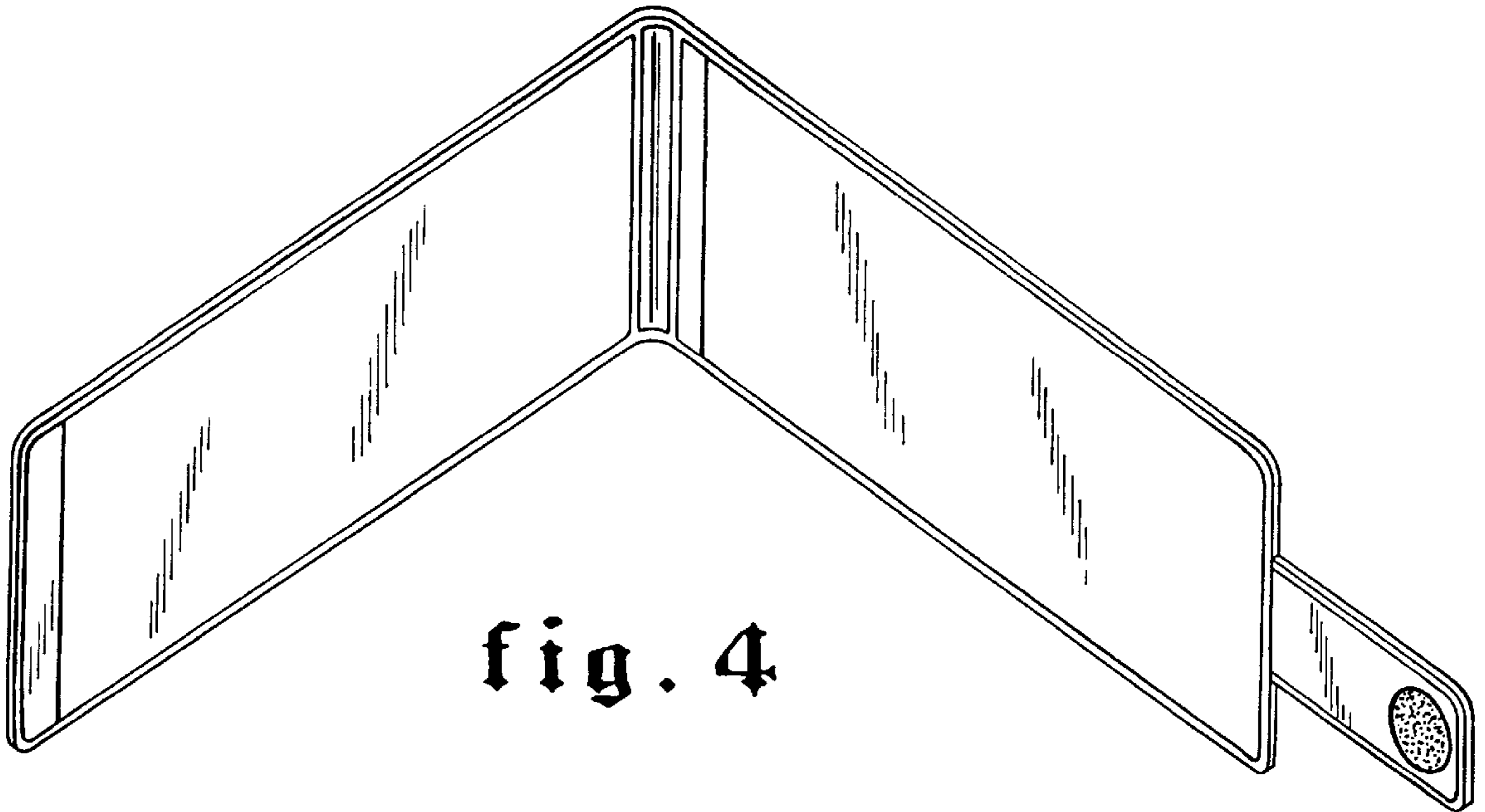


fig. 4

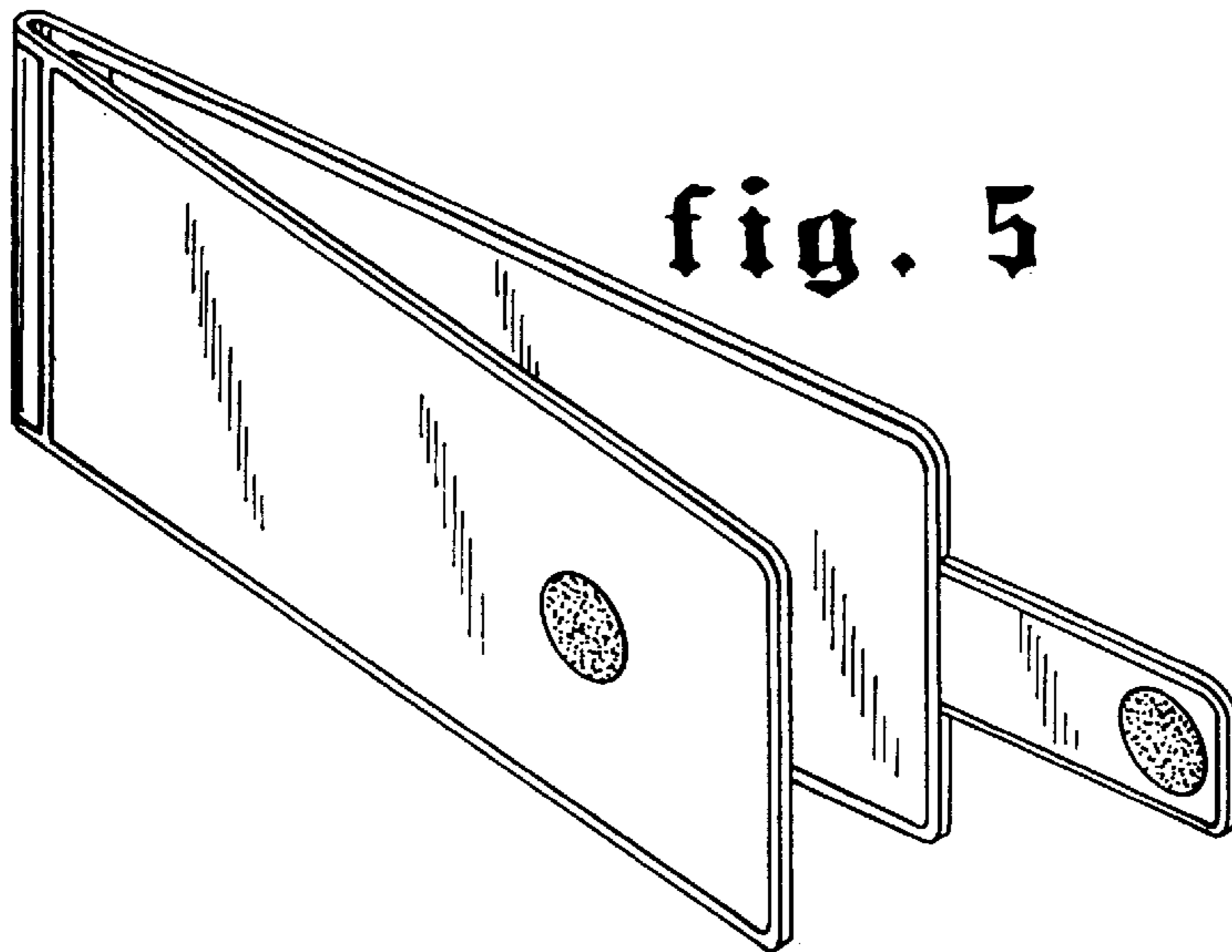
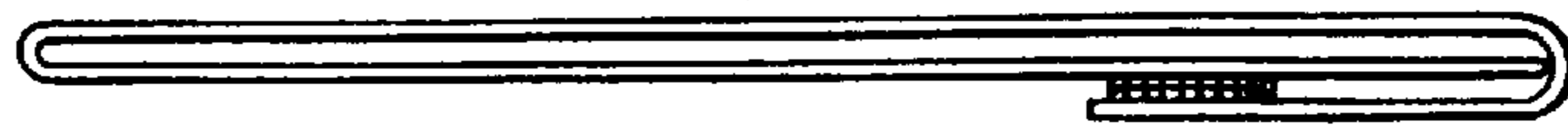
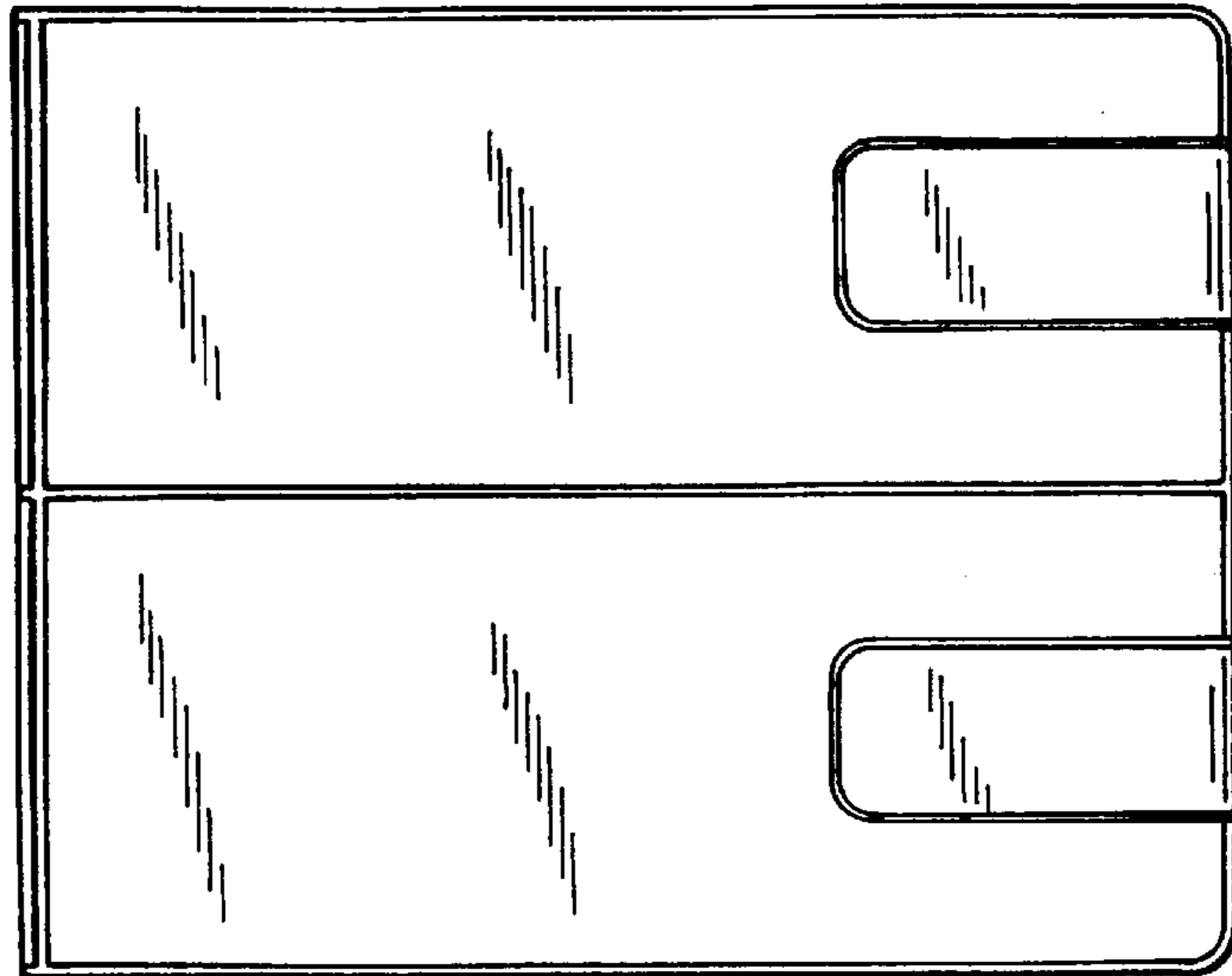


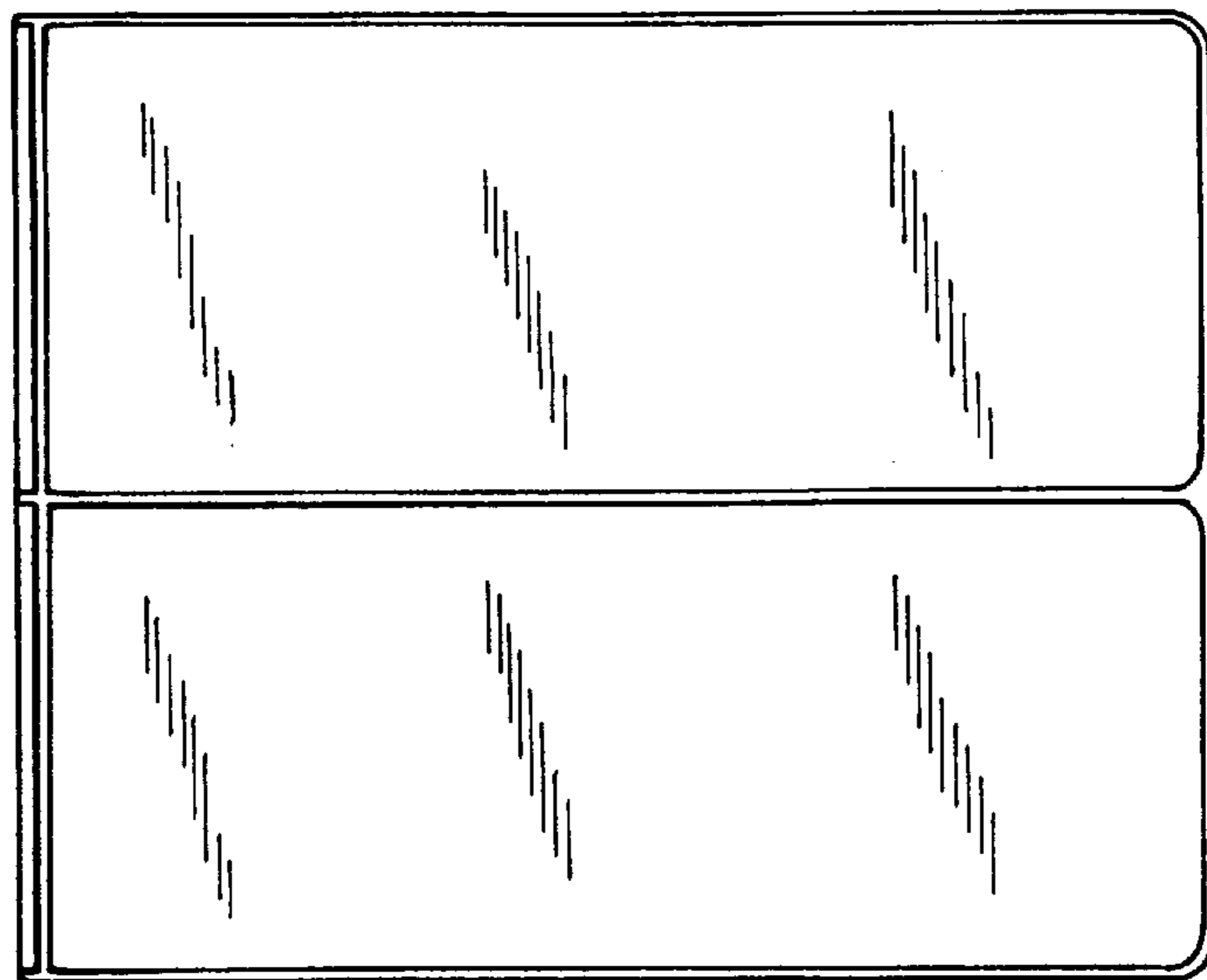
fig. 5



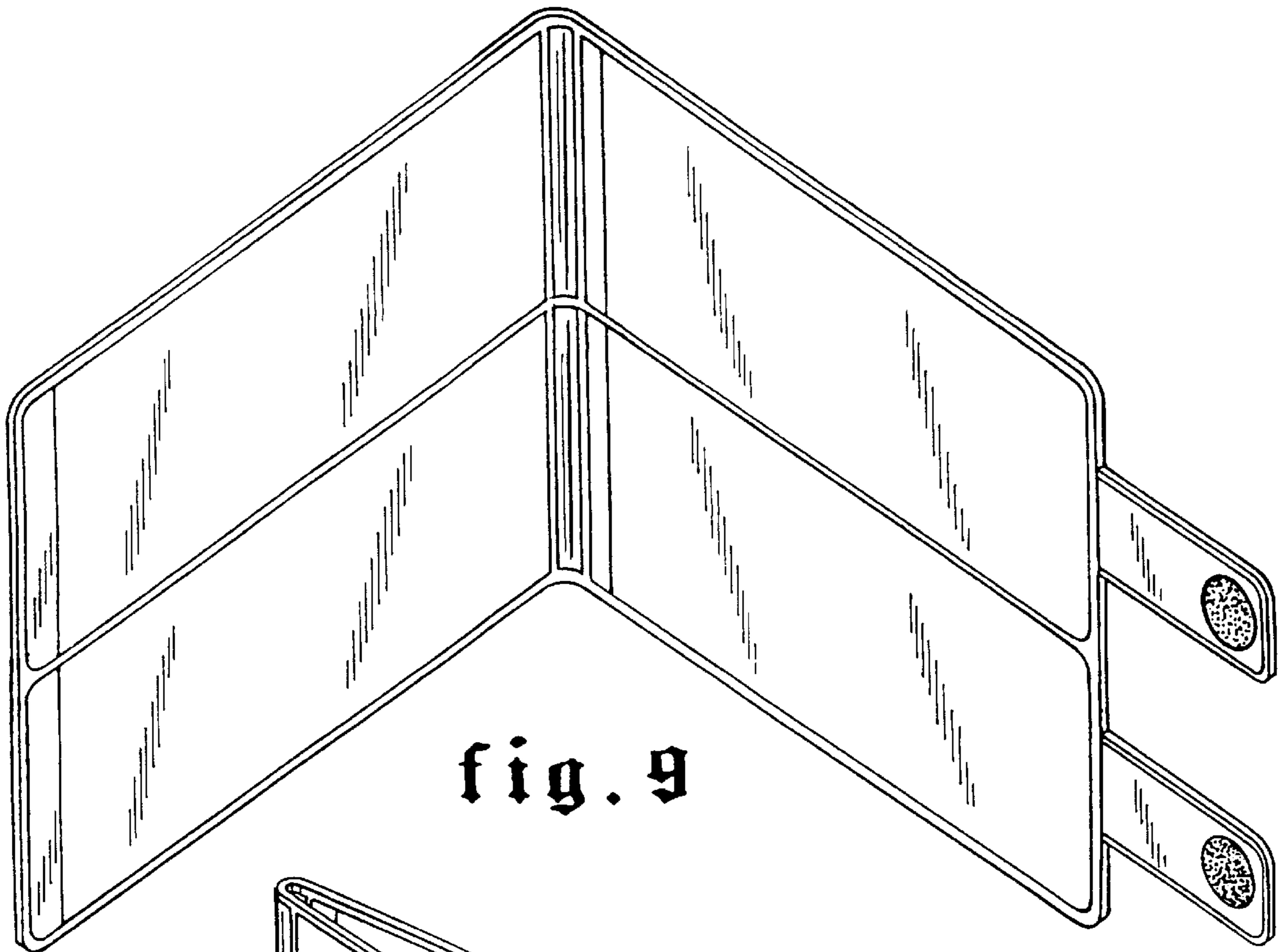
**fig. 7**



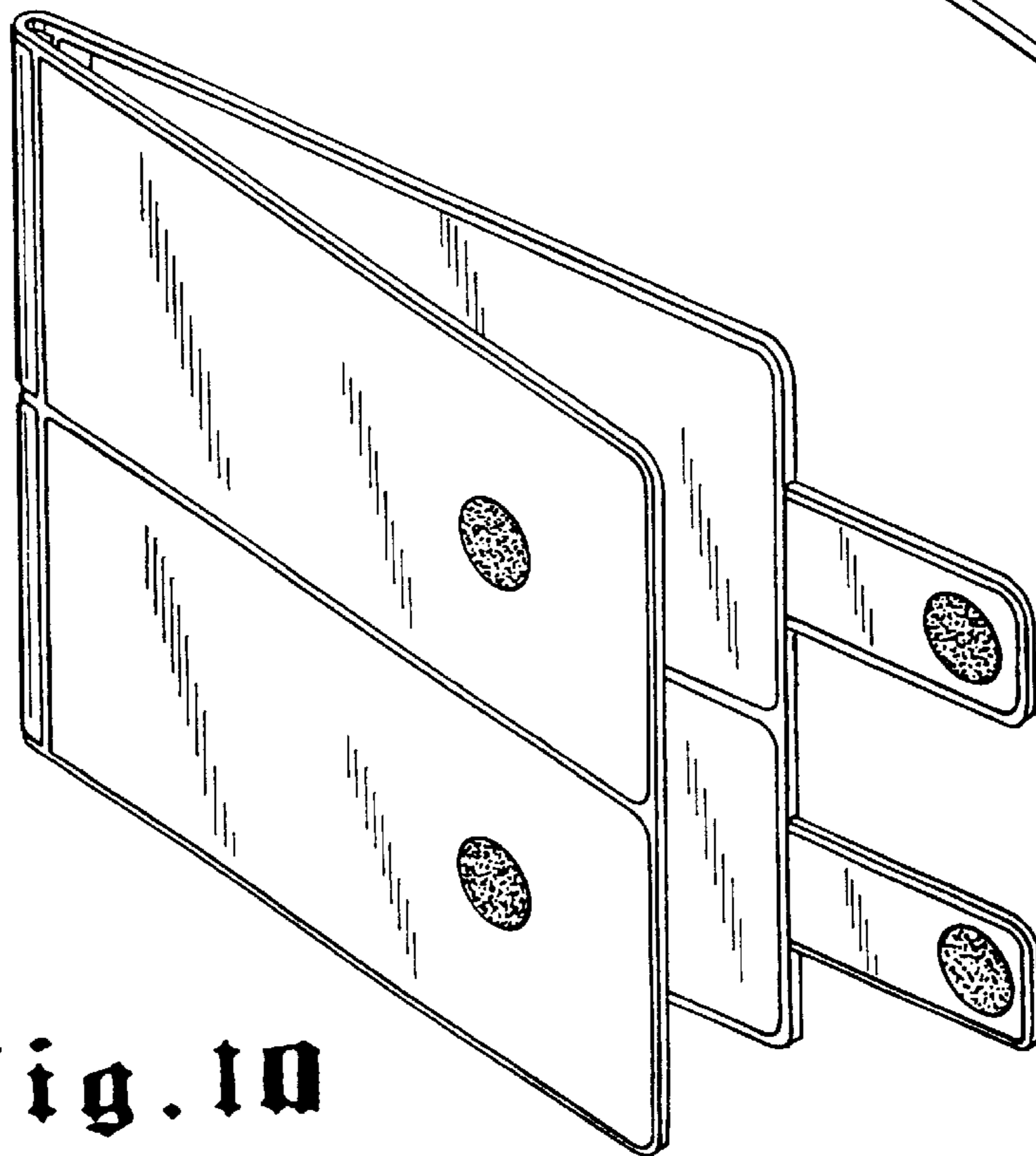
**fig. 6**



**fig. 8**



**fig. 9**



**fig. 10**



fig. 12

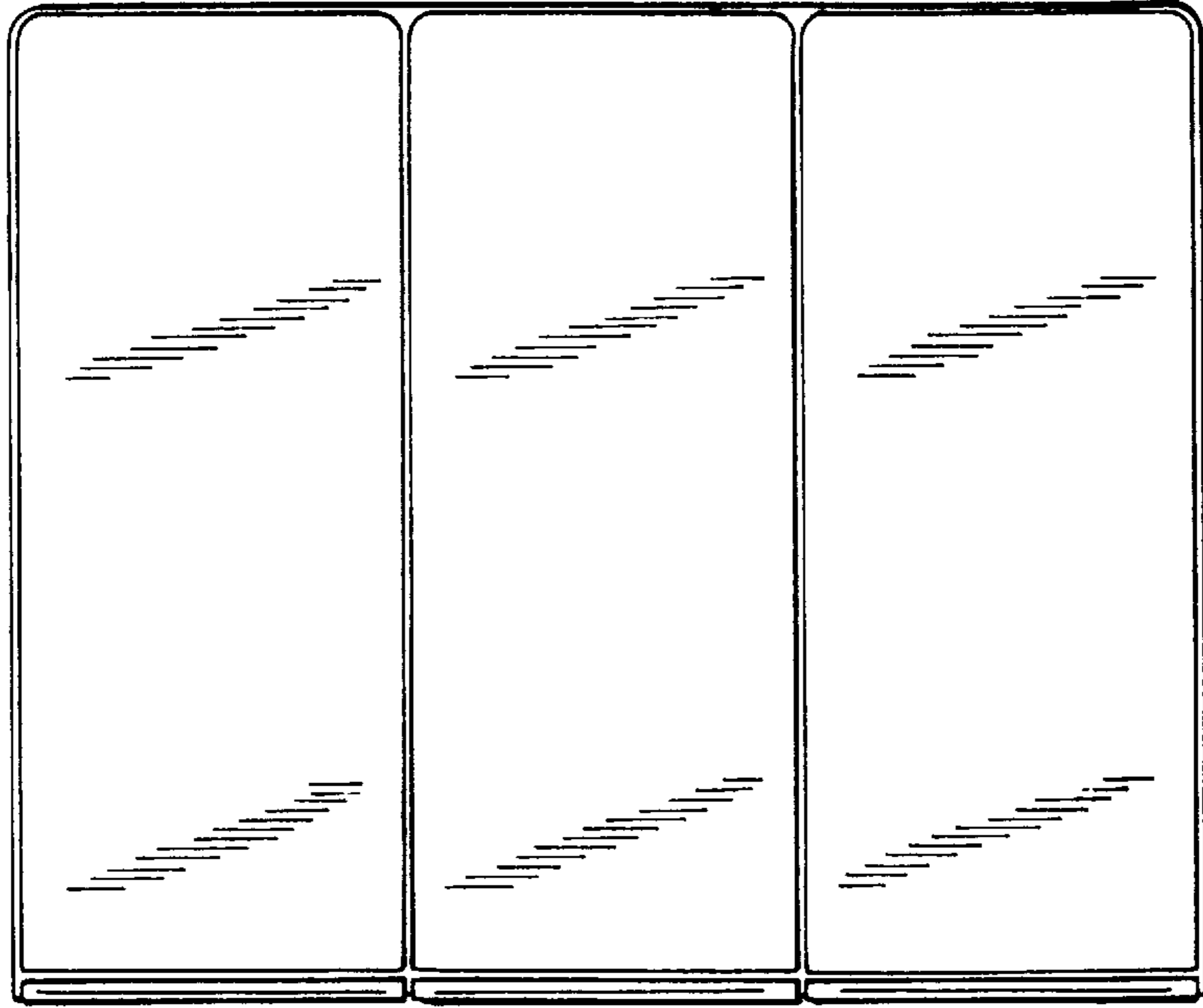


fig. 13

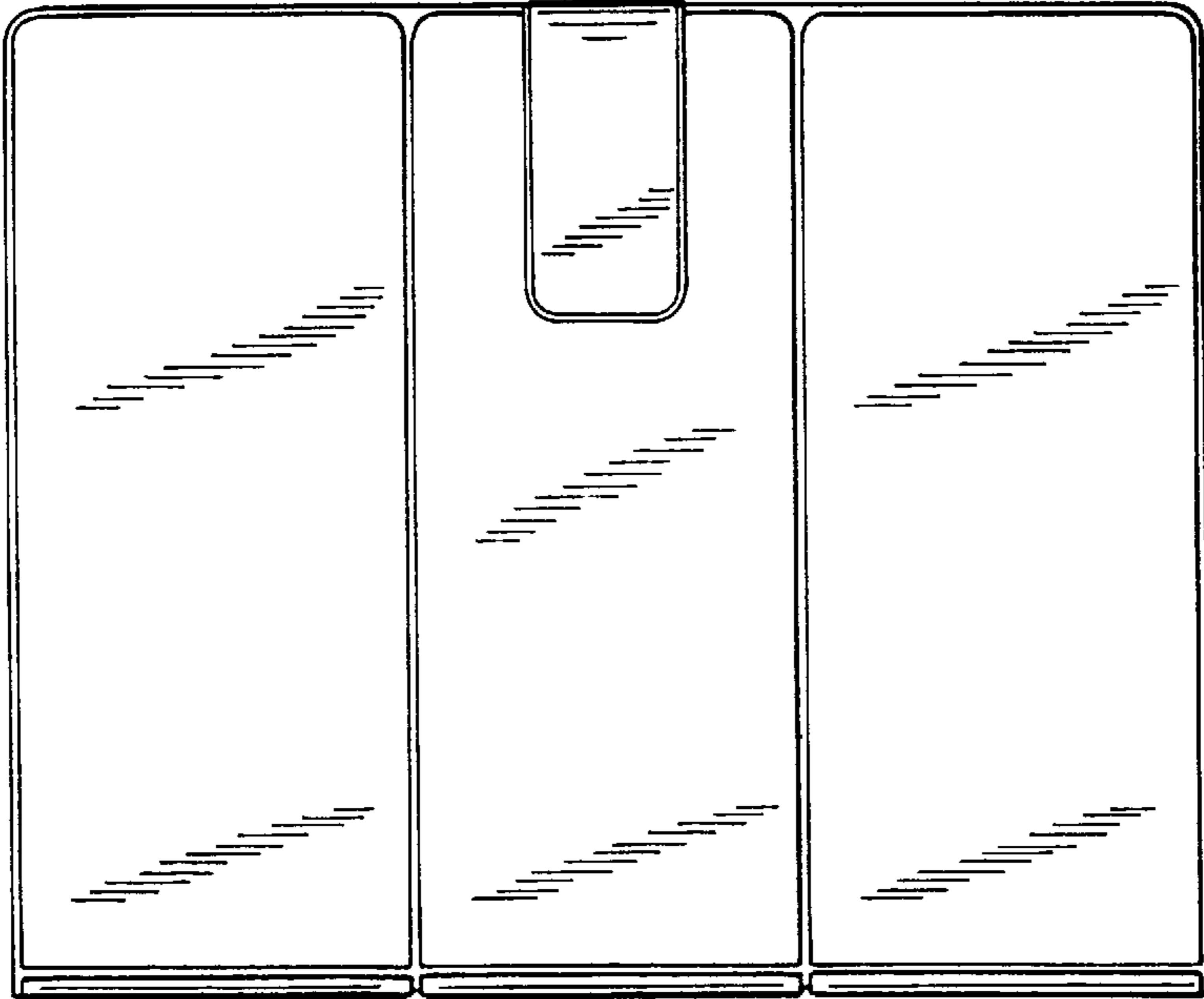


fig. 11

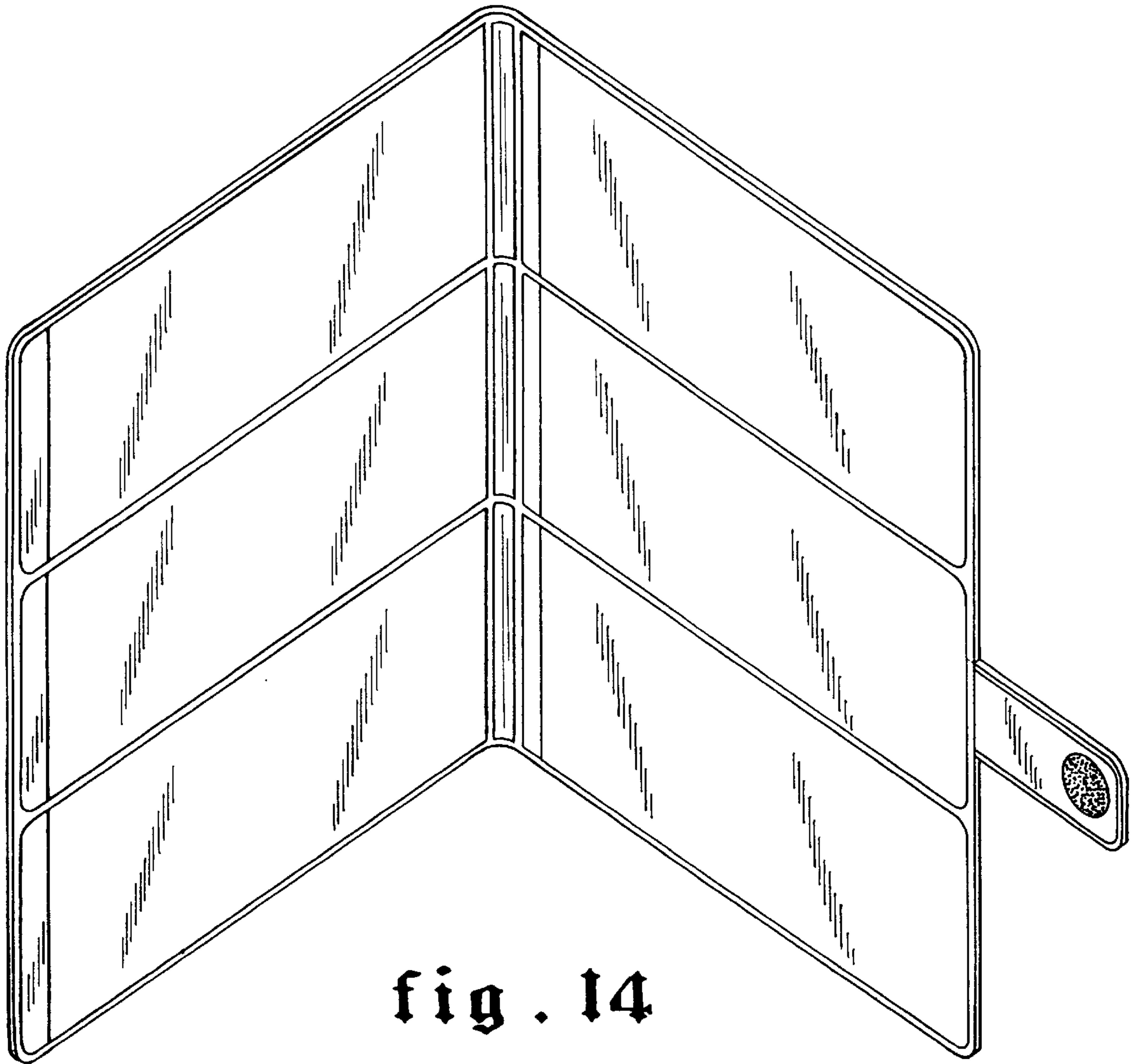


fig . 14

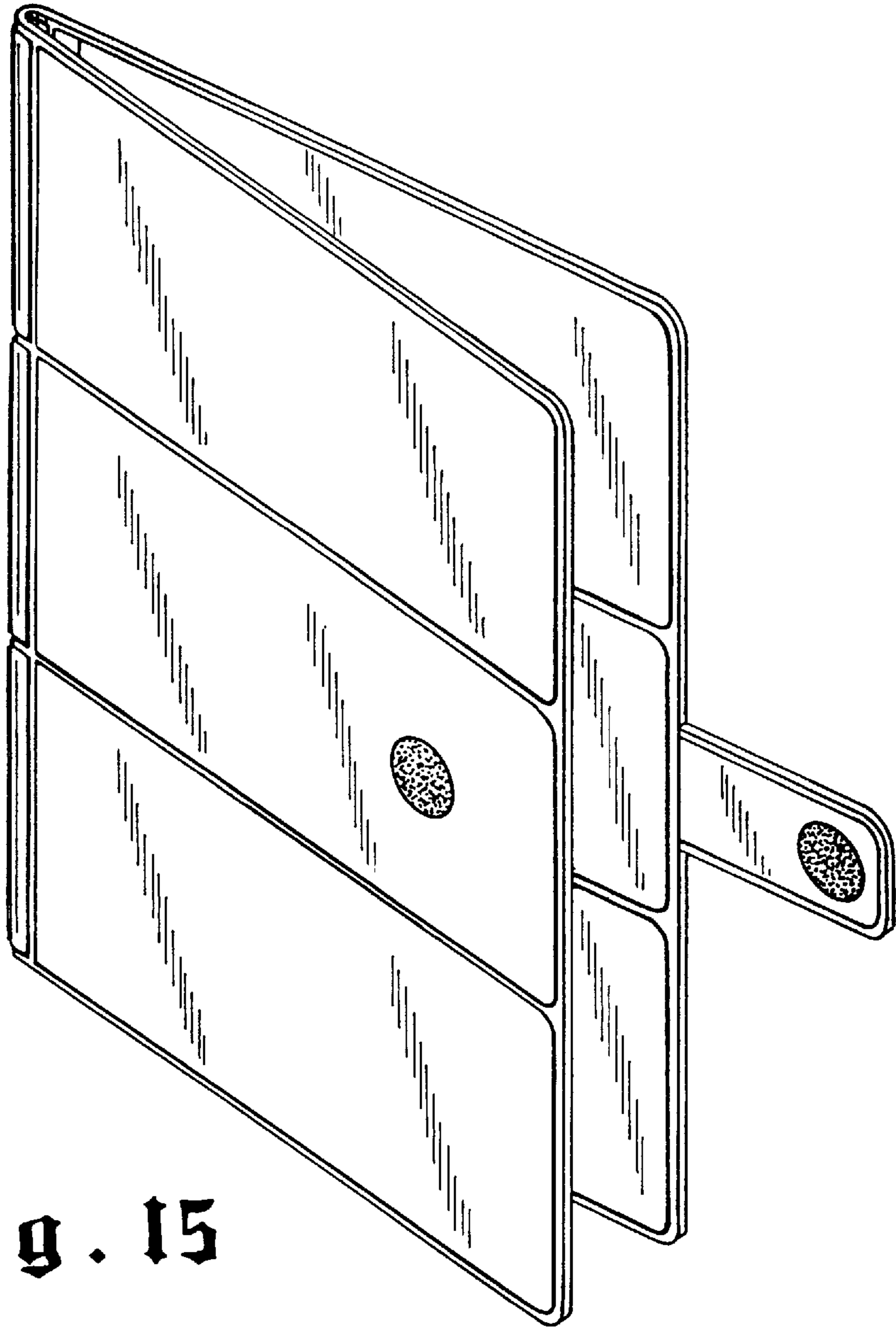


fig. 15