



US00D398443S

# United States Patent [19]

[11] **Patent Number: Des. 398,443**

**Bolle**

[45] **Date of Patent: \*\*Sep. 22, 1998**

[54] **GARDEN UMBRELLA WITH TELESCOPING STAND**

[75] Inventor: **Bernfried Bolle**, Schuettorf-Samern, Germany

[73] Assignee: **Sun-Garden Freizeit- und Gartenmoebel-Vertriebs-GmbH**, Neuenkirchen, Germany

[\*\*] Term: **14 Years**

[21] Appl. No.: **65,588**

[22] Filed: **Jan. 30, 1997**

[51] **LOC (6) Cl. .... 03-03**

[52] **U.S. Cl. .... D3/5**

[58] **Field of Search** ..... D3/5, 6, 10, 13, D3/14; 135/15, 16, 21, 20.3, 74; D25/126, 143, 145; 248/530, 533, 548

### [56] **References Cited**

#### U.S. PATENT DOCUMENTS

200,945	3/1878	Smith	135/21
2,595,697	5/1952	Pereira	135/20.3
2,767,723	10/1956	Sears, Jr.	135/21
3,044,478	7/1962	Russell	D3/5 X
3,120,238	2/1964	Glatz	D3/5 X
3,175,568	3/1965	Kafka	135/20.3

*Primary Examiner*—Doris V. Coles  
*Assistant Examiner*—Catherine R. Oliver  
*Attorney, Agent, or Firm*—Jordan and Hamburg

### [57] **CLAIM**

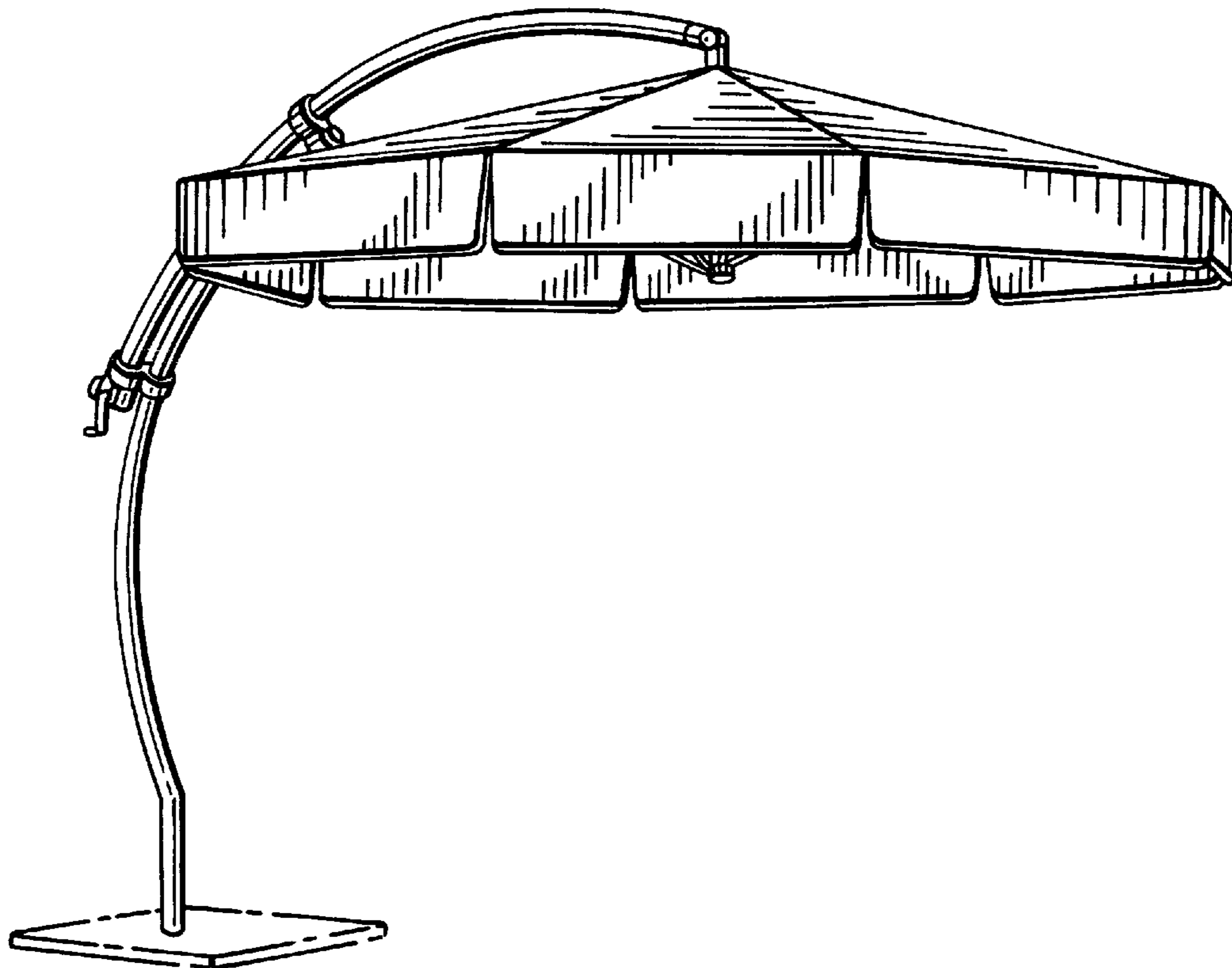
The ornamental design for a garden umbrella with telescoping stand, as shown and described.

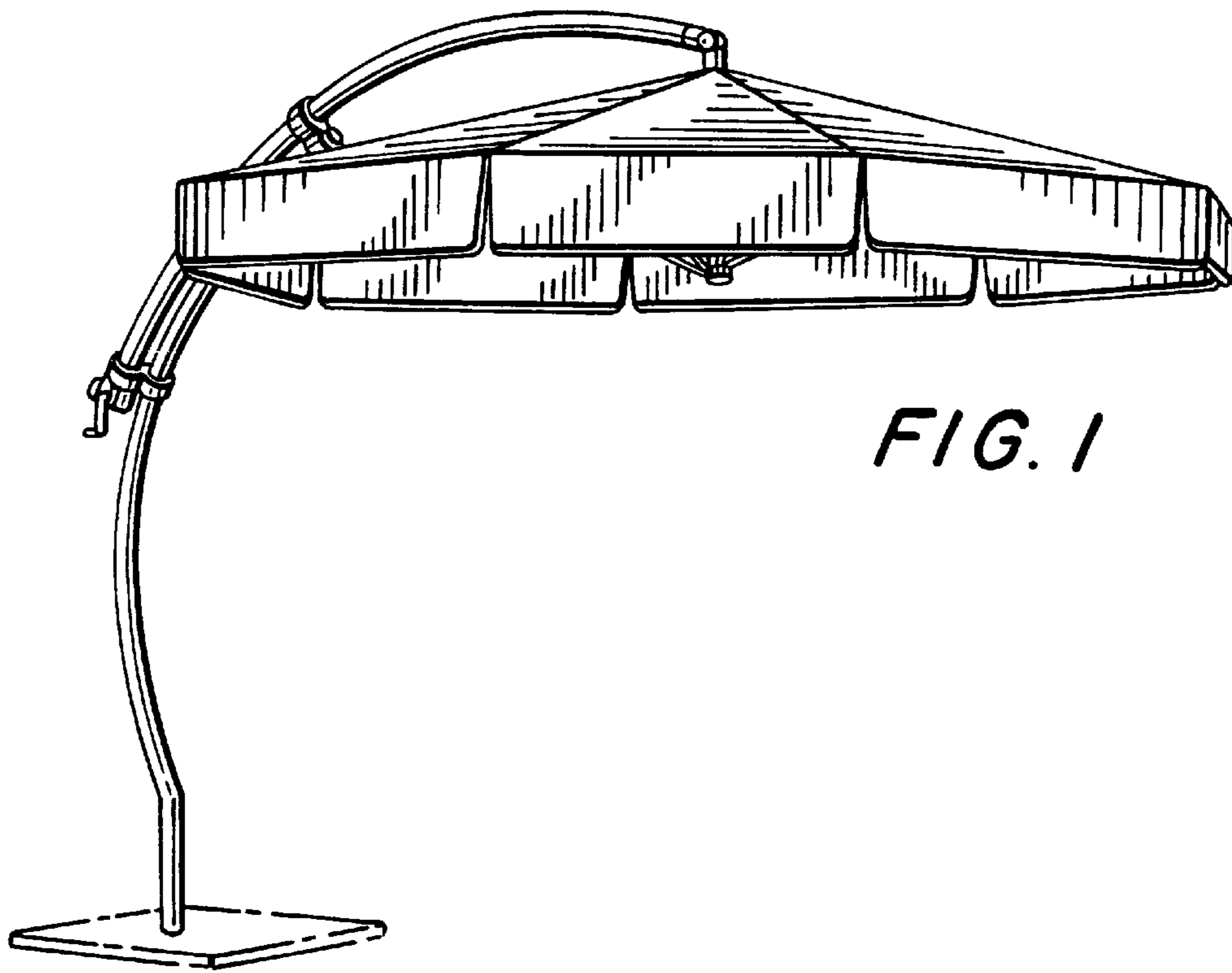
### **DESCRIPTION**

FIG. 1 is a perspective view of a garden umbrella with telescoping stand showing my new design;  
FIG. 2 is a top plan view thereof;  
FIG. 3 is a right side elevational view thereof;  
FIG. 4 is a front elevational view thereof;  
FIG. 5 is a left side elevational view thereof;  
FIG. 6 is a rear elevational view thereof;  
FIG. 7 is a bottom plan view thereof;  
FIG. 8 is a right side elevational view in a retracted and closed position;  
FIG. 9 is a right side elevational view in an extended and closed position;  
FIG. 10 is a perspective view in a retracted and open position; and,  
FIG. 11 is a perspective view in an extended and open position.

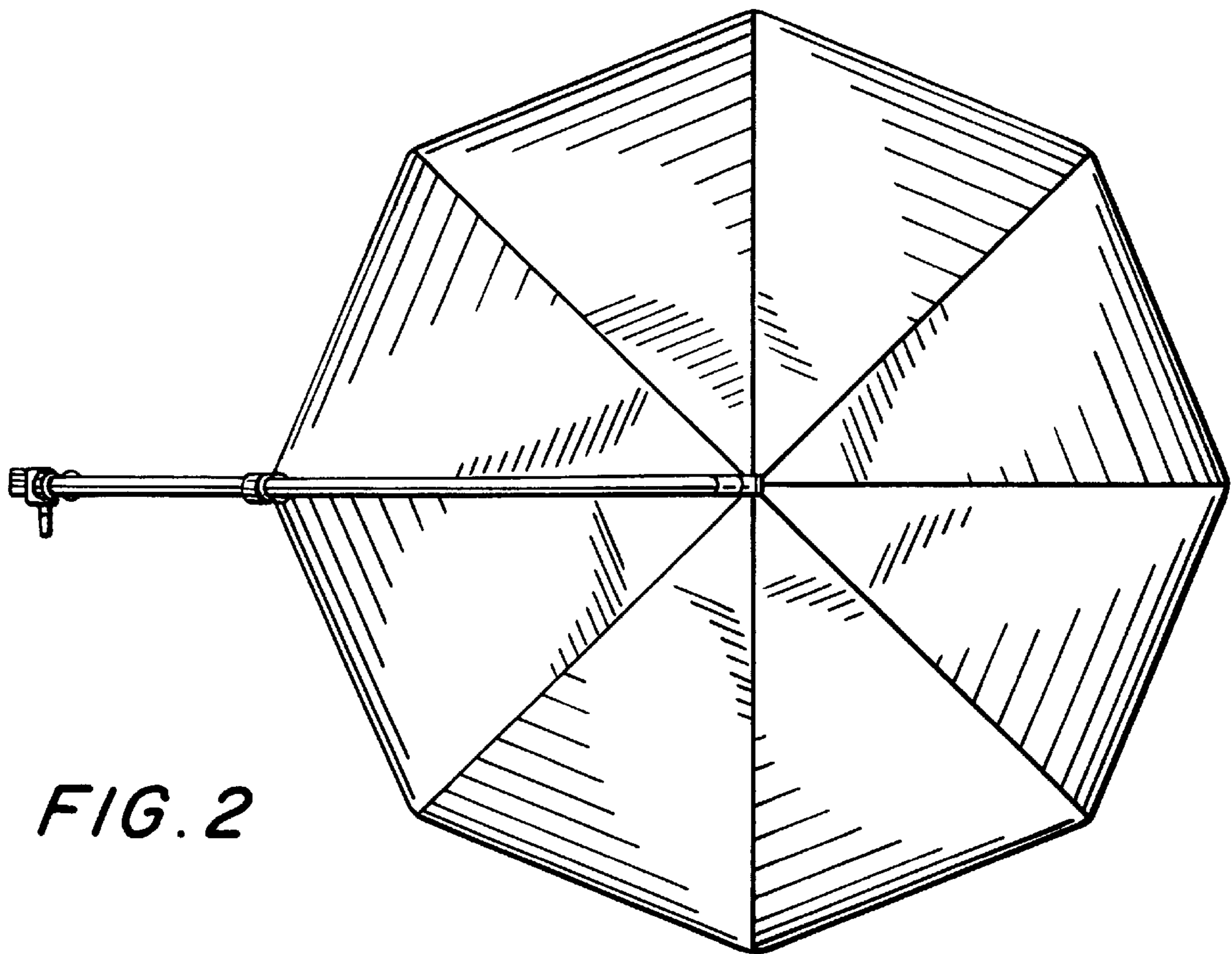
The broken line showing of environment in FIG. 1 is for illustrative purposes only and forms no part of the claimed design.

**1 Claim, 7 Drawing Sheets**

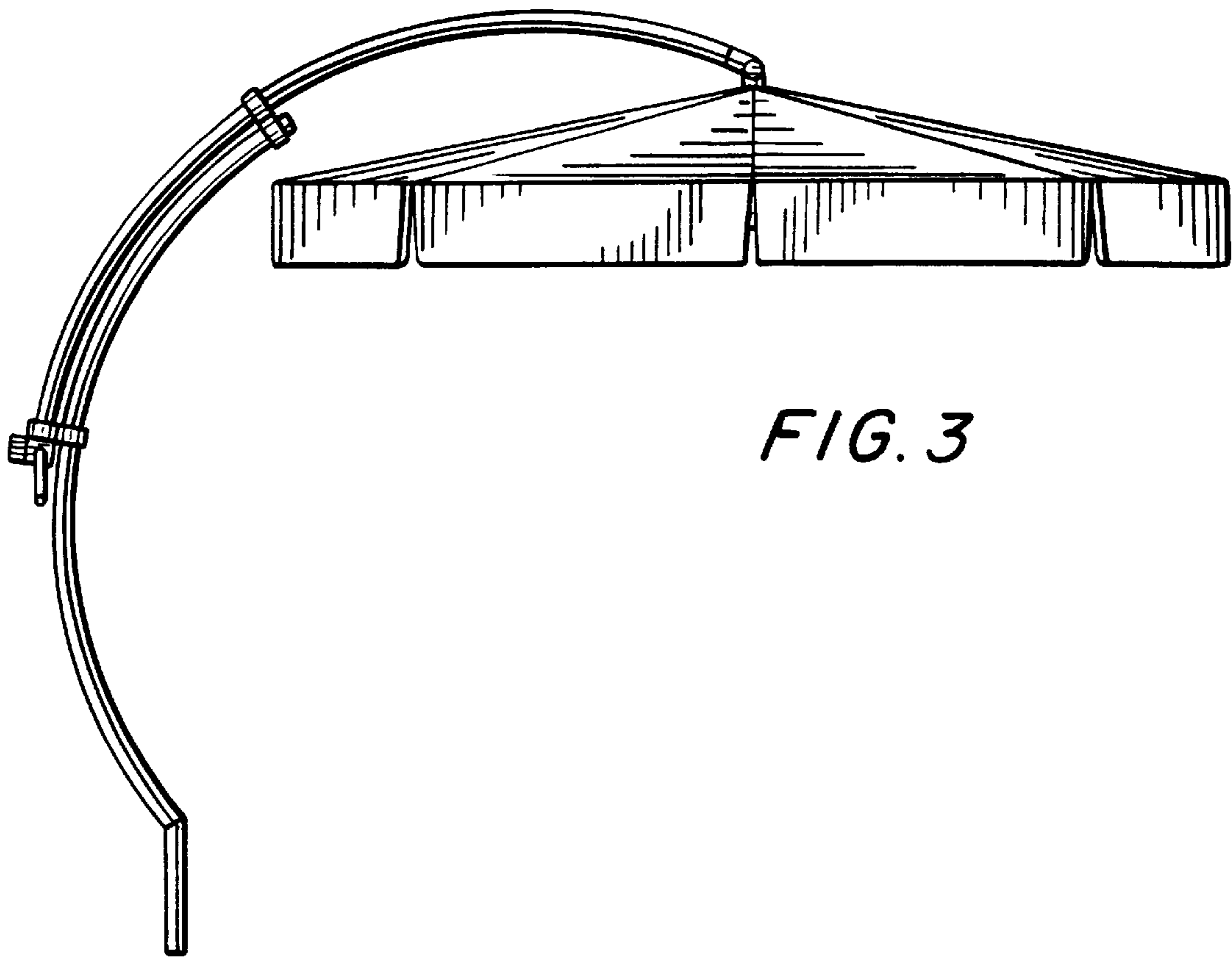




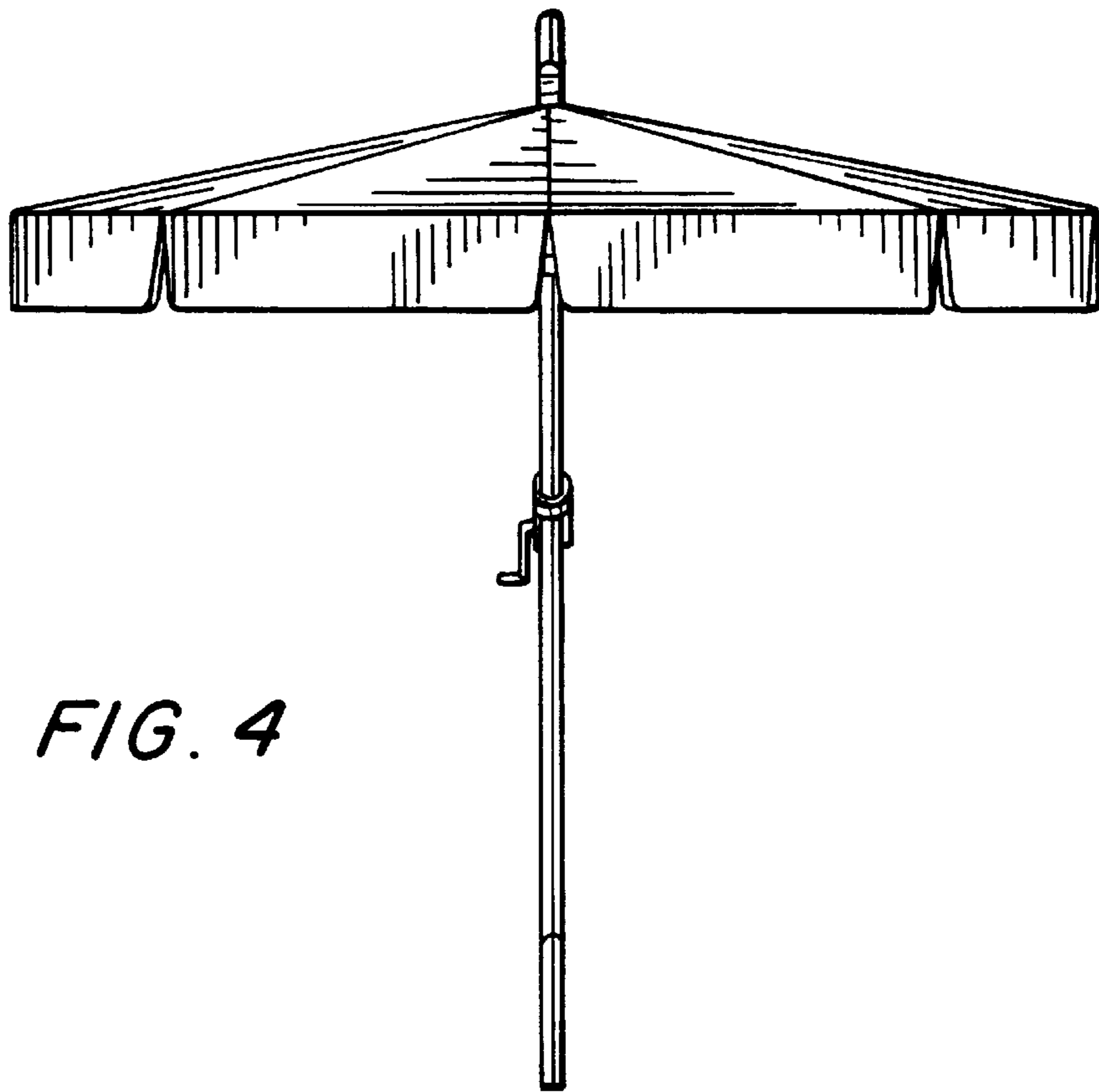
*FIG. 1*



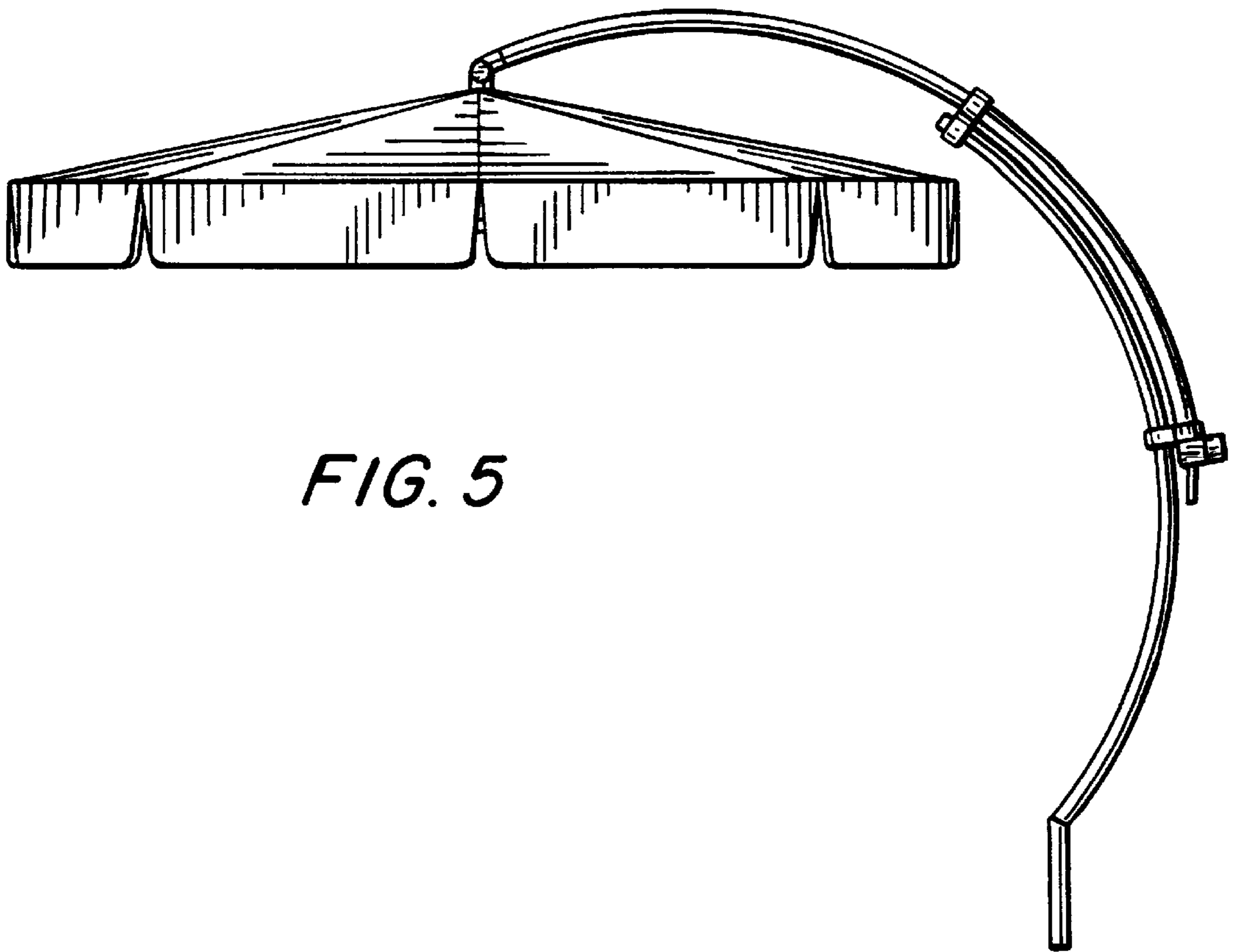
*FIG. 2*



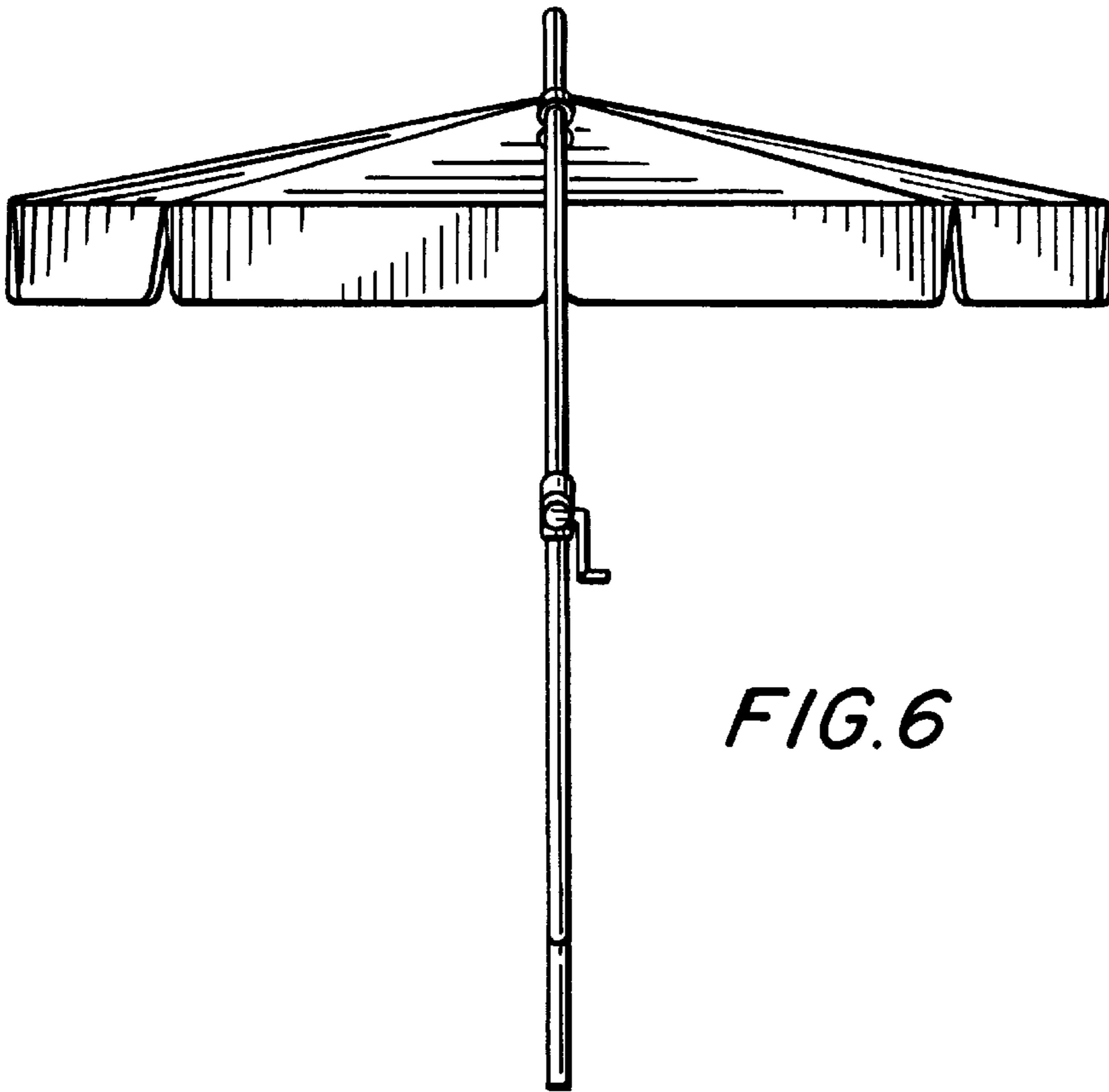
*FIG. 3*



*FIG. 4*

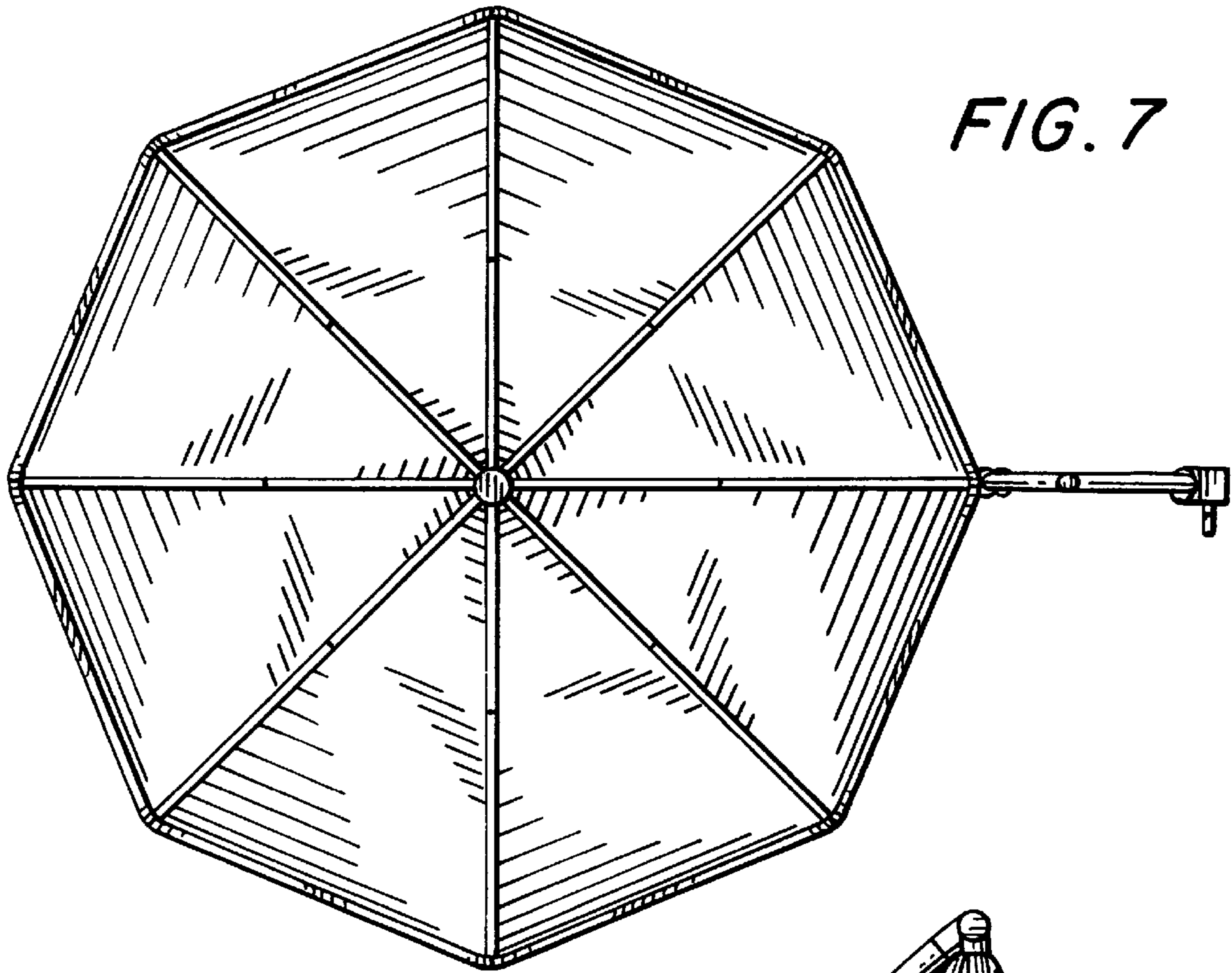


*FIG. 5*

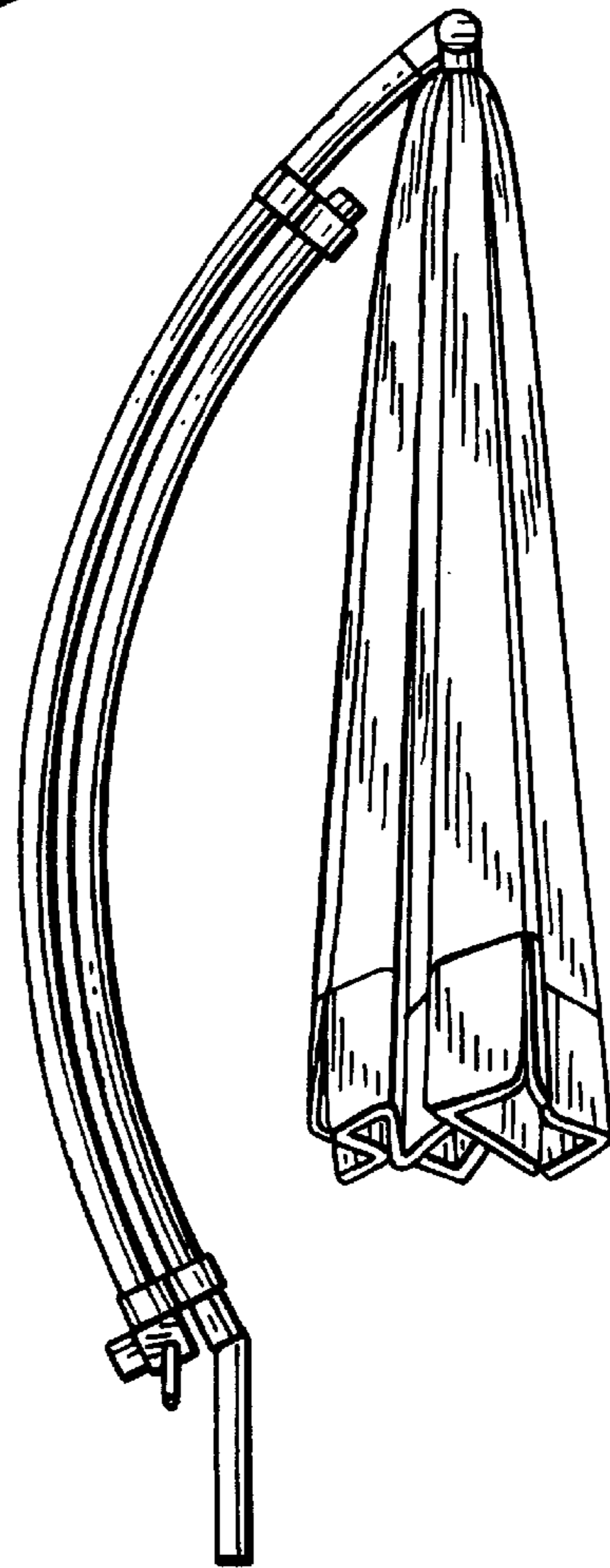


*FIG. 6*

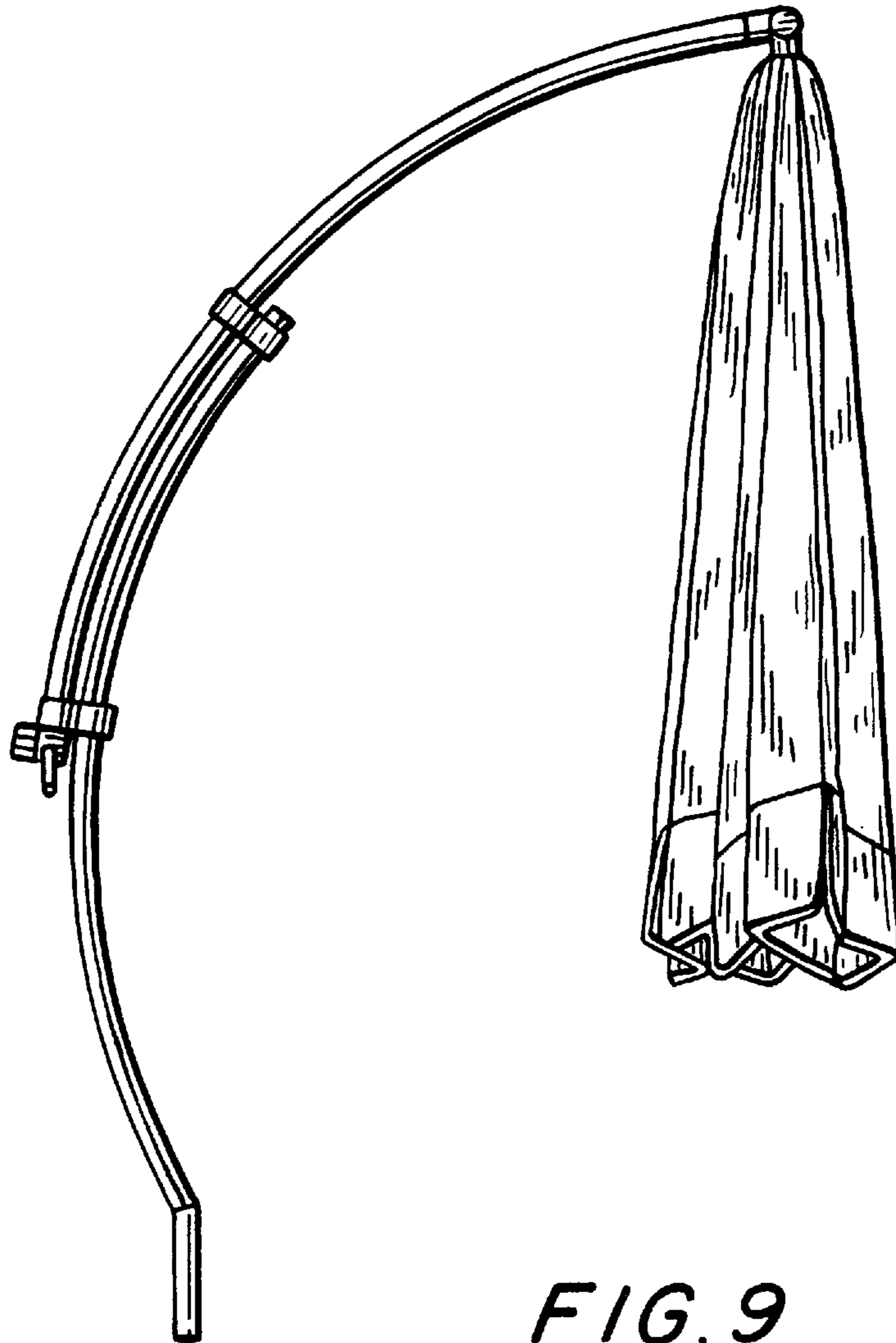




*FIG. 7*

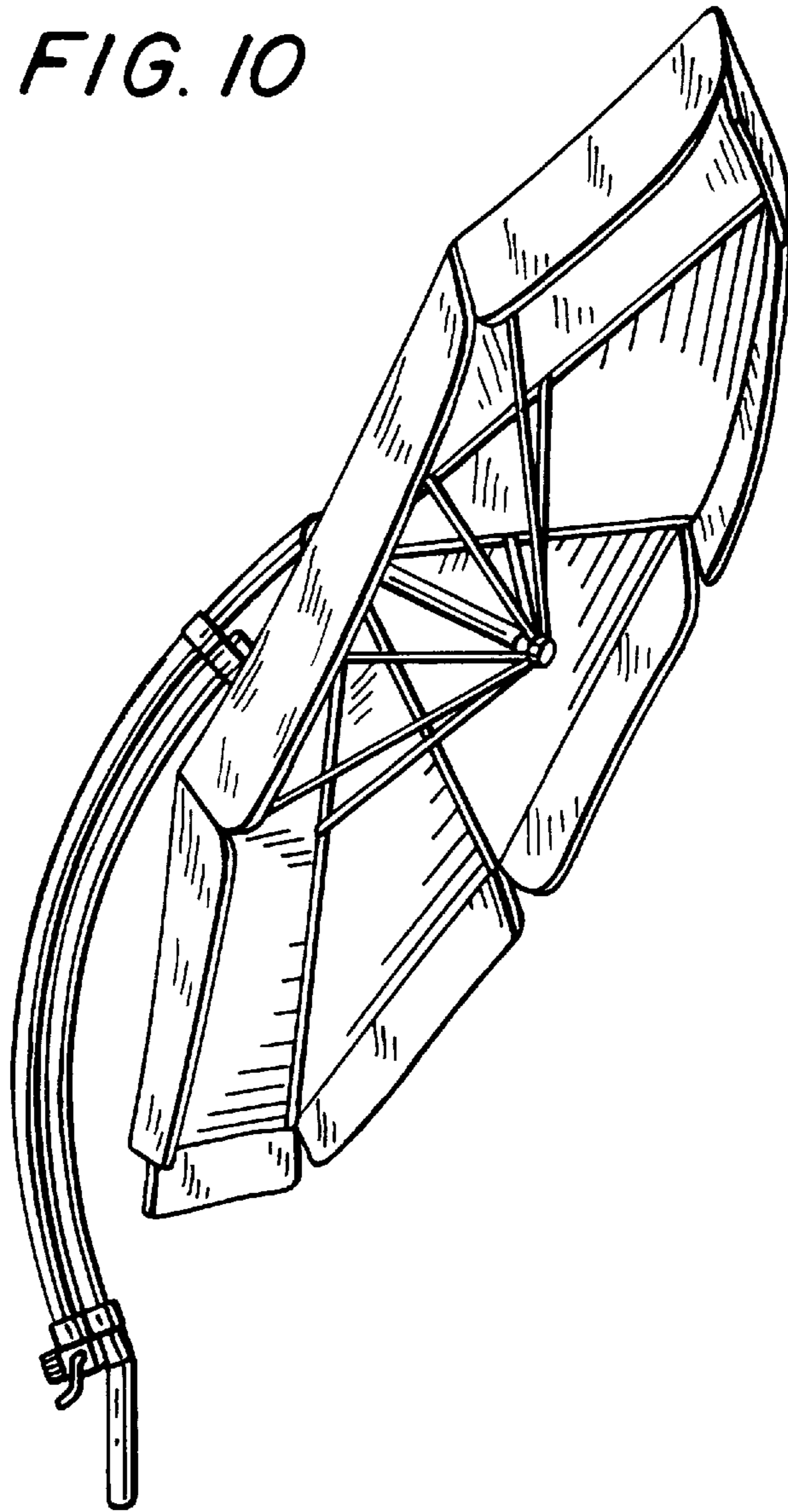


*FIG. 8*



*FIG. 9*

*FIG. 10*



*FIG. 11*

