



US00D398433S

United States Patent [19]

Whiteside et al.

[11] Patent Number: Des. 398,433

[45] Date of Patent: **Sep. 15, 1998

[54] **CREEPER**

[75] Inventors: **Kirt E. Whiteside**, Marion; **Terry L. Whiteside**, Delaware; **Robert E. Studer**, New Washington; **Keith R. Studer**, Shelby, all of Ohio

[73] Assignee: **Whiteside Mfg. Co.**, Delaware, Ohio

[**] Term: **14 Years**

[21] Appl. No.: **75,691**

[22] Filed: **Aug. 25, 1997**

[51] **LOC (6) Cl.** **12-02**

[52] **U.S. Cl.** **D34/23**

[58] **Field of Search** D34/12-27; 280/32.5, 280/32.6, 79.11, 79.2, 79.7

[56] **References Cited**

U.S. PATENT DOCUMENTS

D. 230,971	3/1974	Shanklin	D14/3 M
D. 325,799	4/1992	Chen	D34/23
D. 330,619	10/1992	Gilbert et al.	D34/23
D. 351,707	10/1994	Pill	D34/23
5,174,592	12/1992	Pool	280/32.6
5,195,763	3/1993	Scott et al.	280/32.6
5,330,209	7/1994	Pool	280/32.6

OTHER PUBLICATIONS

Rel Products Incorporated advertisement, cover and 2 pages (undated).

P&B Mfg. Co. "Blue Max" advertisement, 1 page (1990).

Lisle "Creepers" advertisement, pp. 44 and 45 (undated).
E-Z Red "E-Z Rider" advertisement, 1 page (undated).
Wilmar Corporation "PT Performance Tool" product catalog, 2 pages (1996).
Petersen Automotive — Flambeau advertisement, 2 pages (undated).
United Auto Systems (Mack Tools) "Creepers" advertisement, 1 page (undated).
Whiteide Catalog advertisement, cover and 4 pages (1993).
Whiteside Catalog advertisement, cover and 3 pages (1995).

Primary Examiner—Kay H. Chin
Attorney, Agent, or Firm—Renner, Kenner, Greive, Bobak, Taylor & Weber

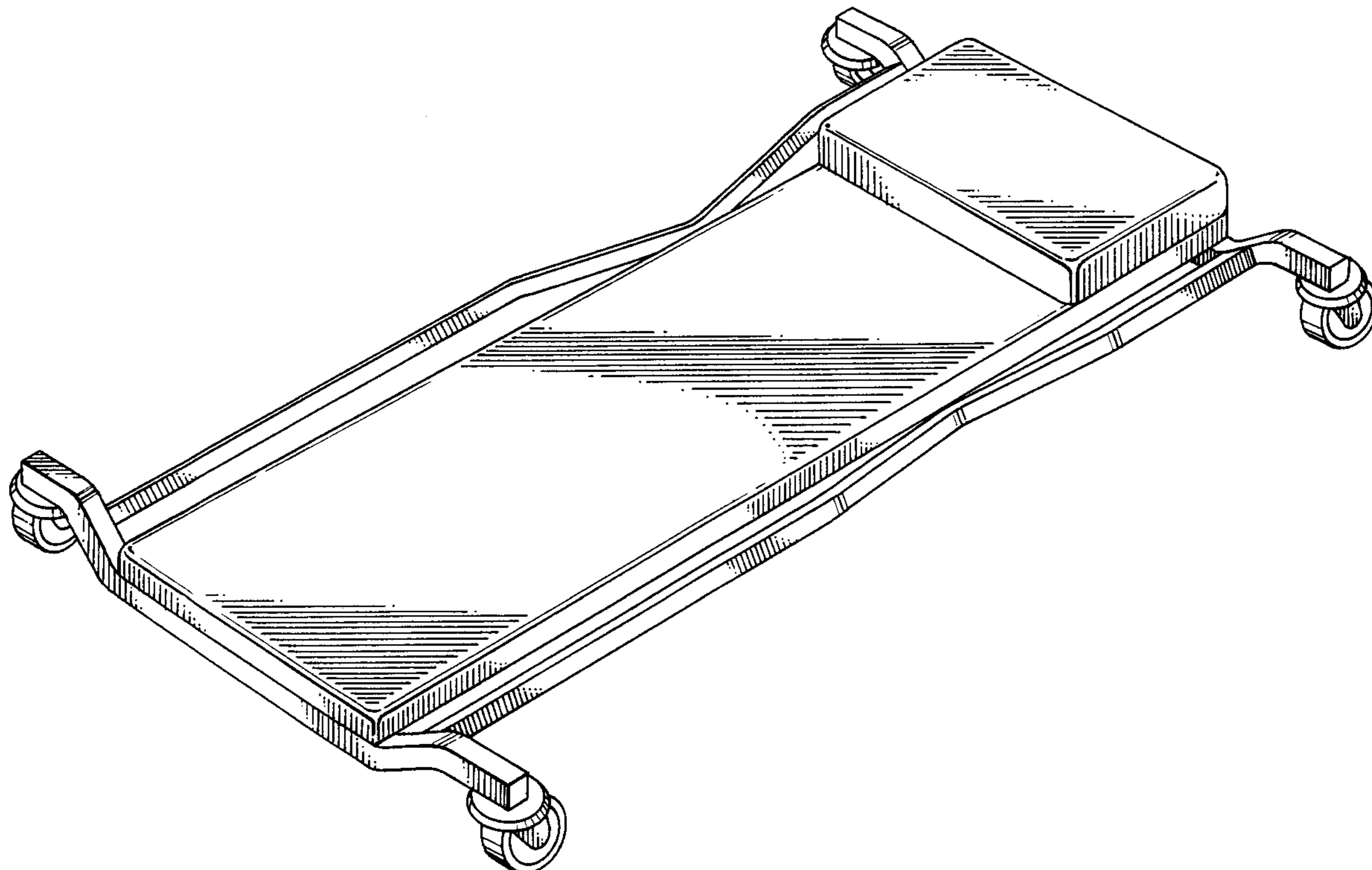
[57] **CLAIM**

The ornamental design for a creeper, as shown and described.

DESCRIPTION

FIG. 1 is a top, right side, front perspective view of a creeper showing our new design;
FIG. 2 is a left side elevational view thereof, the right side being a mirror image of FIG. 2;
FIG. 3 is a front elevational view thereof;
FIG. 4 is a rear elevational view thereof;
FIG. 5 is a top plan view thereof; and,
FIG. 6 is a bottom plan view thereof.

1 Claim, 4 Drawing Sheets



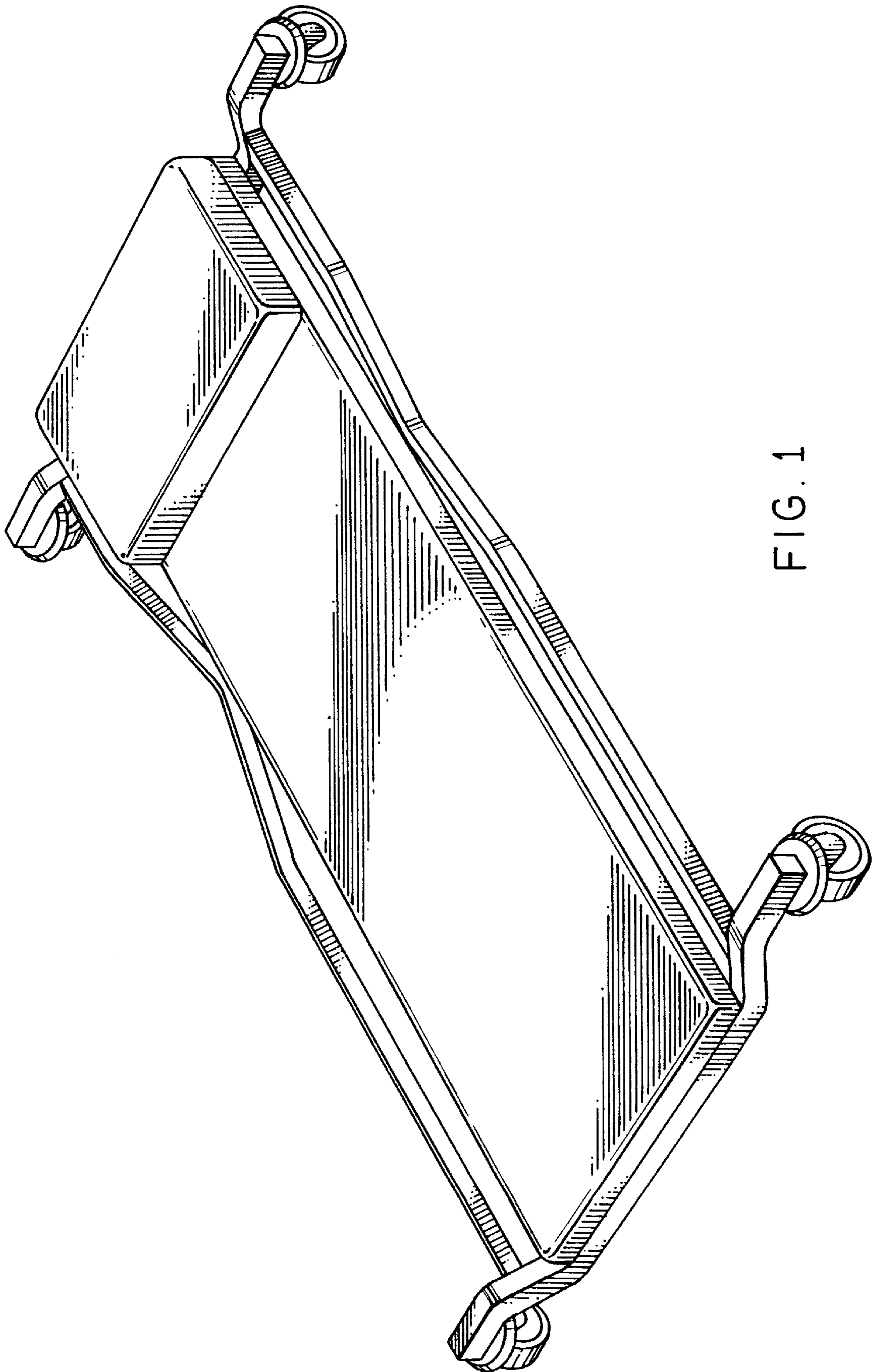


FIG. 1

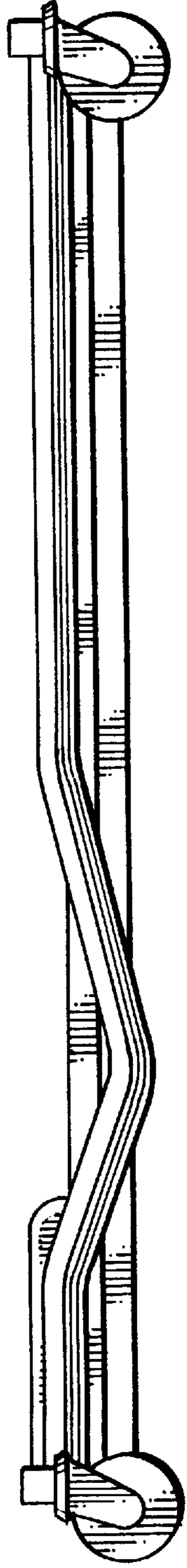


FIG. 2

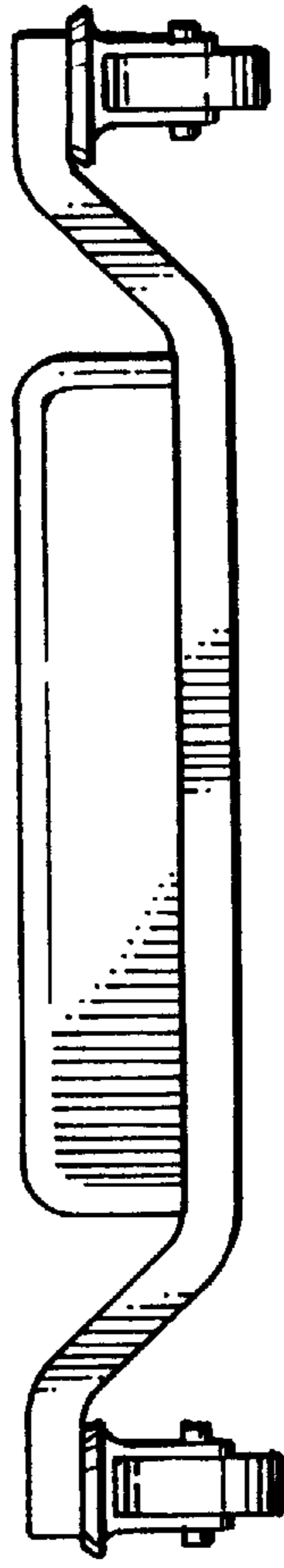


FIG. 3



FIG. 4

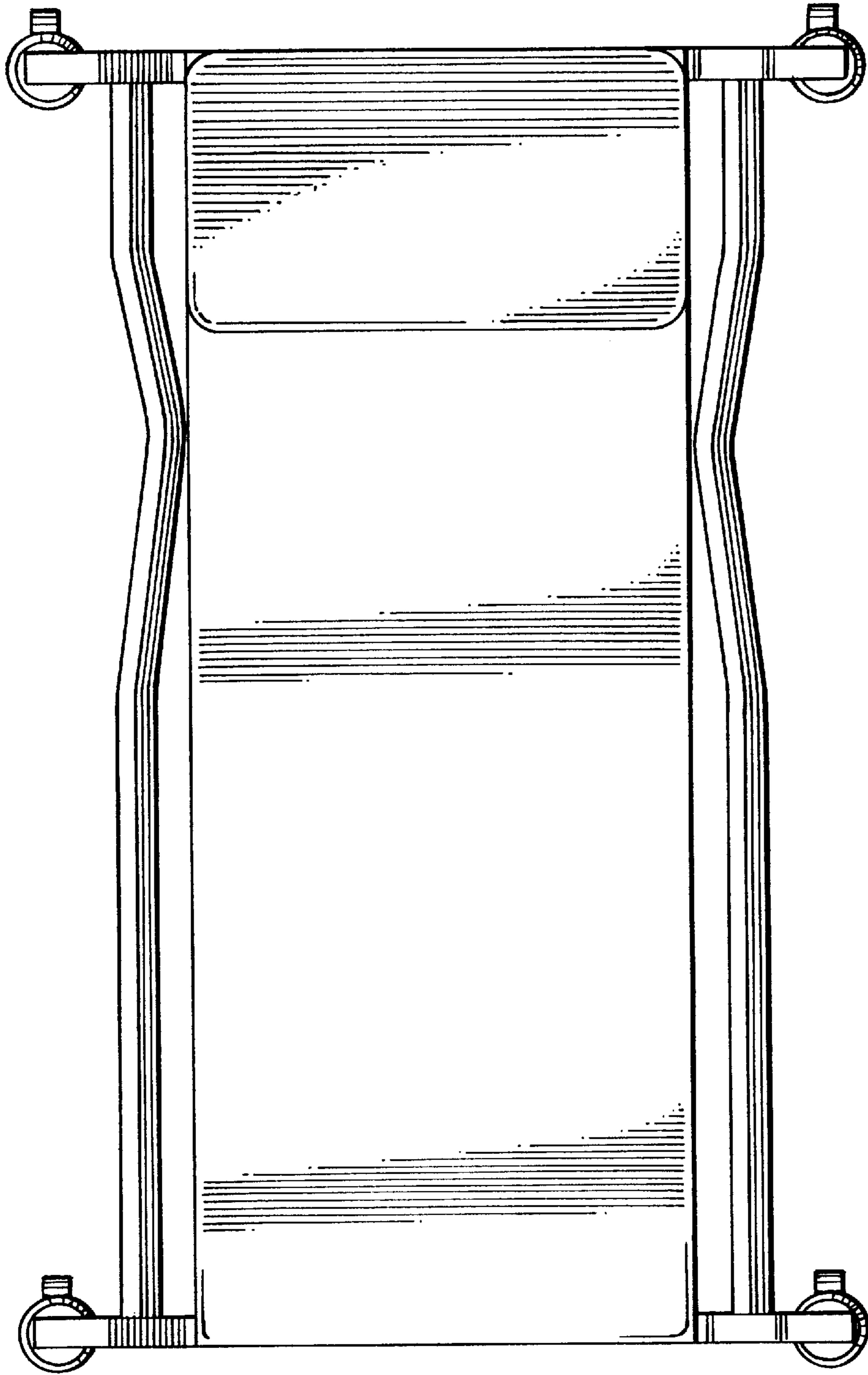


FIG. 5

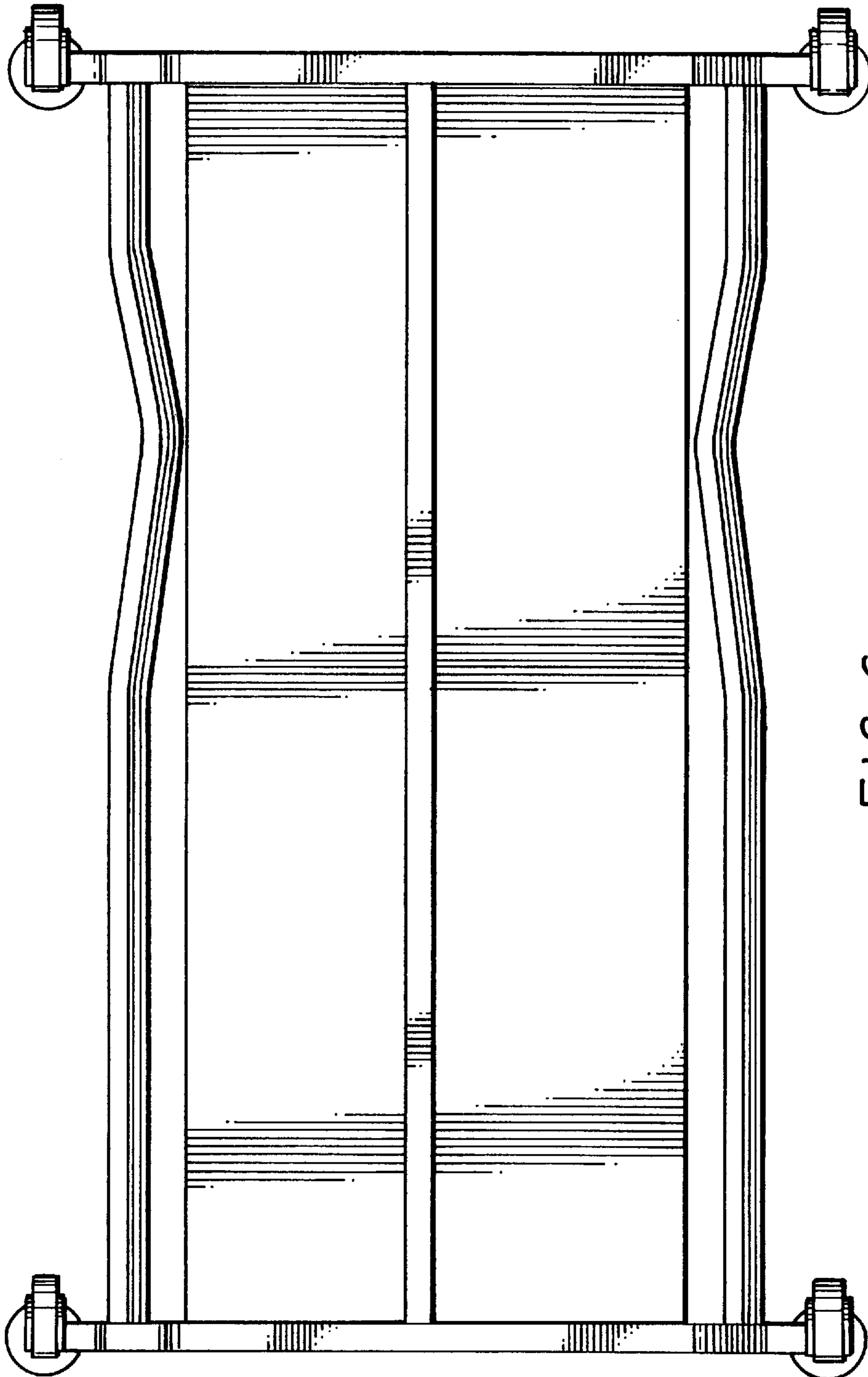


FIG. 6