



US00D398427S

United States Patent [19] Berti

[11] **Patent Number: Des. 398,427**

[45] **Date of Patent: **Sep. 15, 1998**

[54] **SCRUB PAD HANDLE**

D. 382,409 8/1997 Berti D4/138

[75] Inventor: **Enzo Berti**, Dolo/Venice, Italy

Primary Examiner—Alan P. Douglas
Assistant Examiner—Lavone D. Tabor
Attorney, Agent, or Firm—Marshall, O’Toole, Gerstein,
Murray & Borun

[73] Assignee: **The Libman Company**, Arcola, Ill.

[**] Term: **14 Years**

[21] Appl. No.: **76,082**

[22] Filed: **Aug. 11, 1997**

[57] CLAIM

The ornamental design for a scrub pad handle, as shown and described.

[51] **LOC (6) Cl.** **04-01**

DESCRIPTION

[52] **U.S. Cl.** **D32/52; D4/138**

FIG. 1 is a perspective view of a scrub pad handle in accordance with the present invention;
FIG. 2 is a left-side view, the right-side view being a mirror image thereof;
FIG. 3 is a top view;
FIG. 4 is a front view; and,
FIG. 5 is a back view.

[58] **Field of Search** D4/129, 130, 134,
D4/138; 15/159.1, 160, 235.4, 235.5, 244.1

[56] References Cited

U.S. PATENT DOCUMENTS

D. 126,041	3/1941	Cosby	D4/129
D. 329,752	9/1992	Murphy et al.	D4/129
D. 344,635	3/1994	Berti	D4/138
D. 381,519	7/1997	Berti	D4/138

The broken lines in FIG. 1 show the placement of a scrub pad, and form no part of the design as claimed.

1 Claim, 2 Drawing Sheets

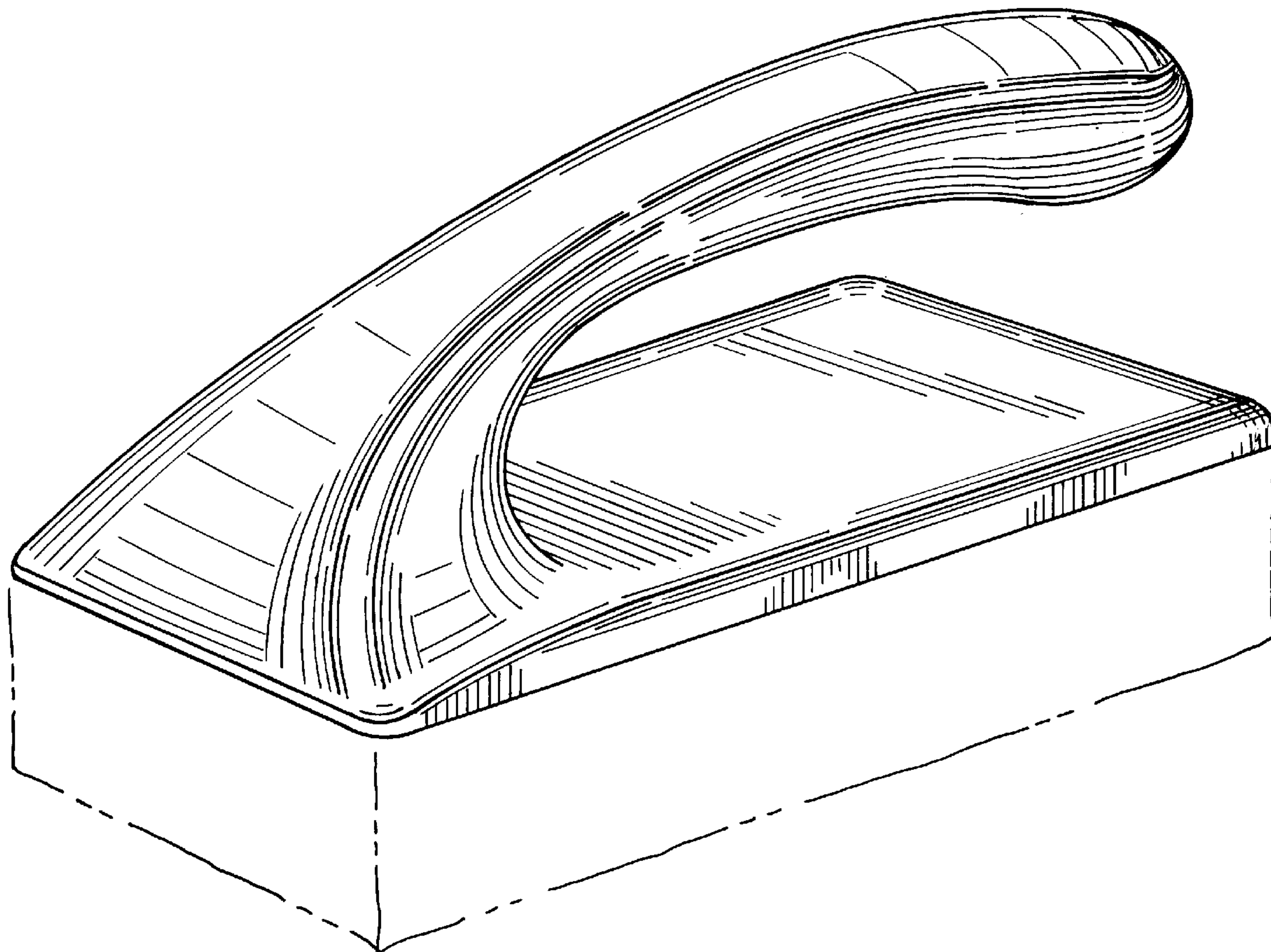


FIG. 1

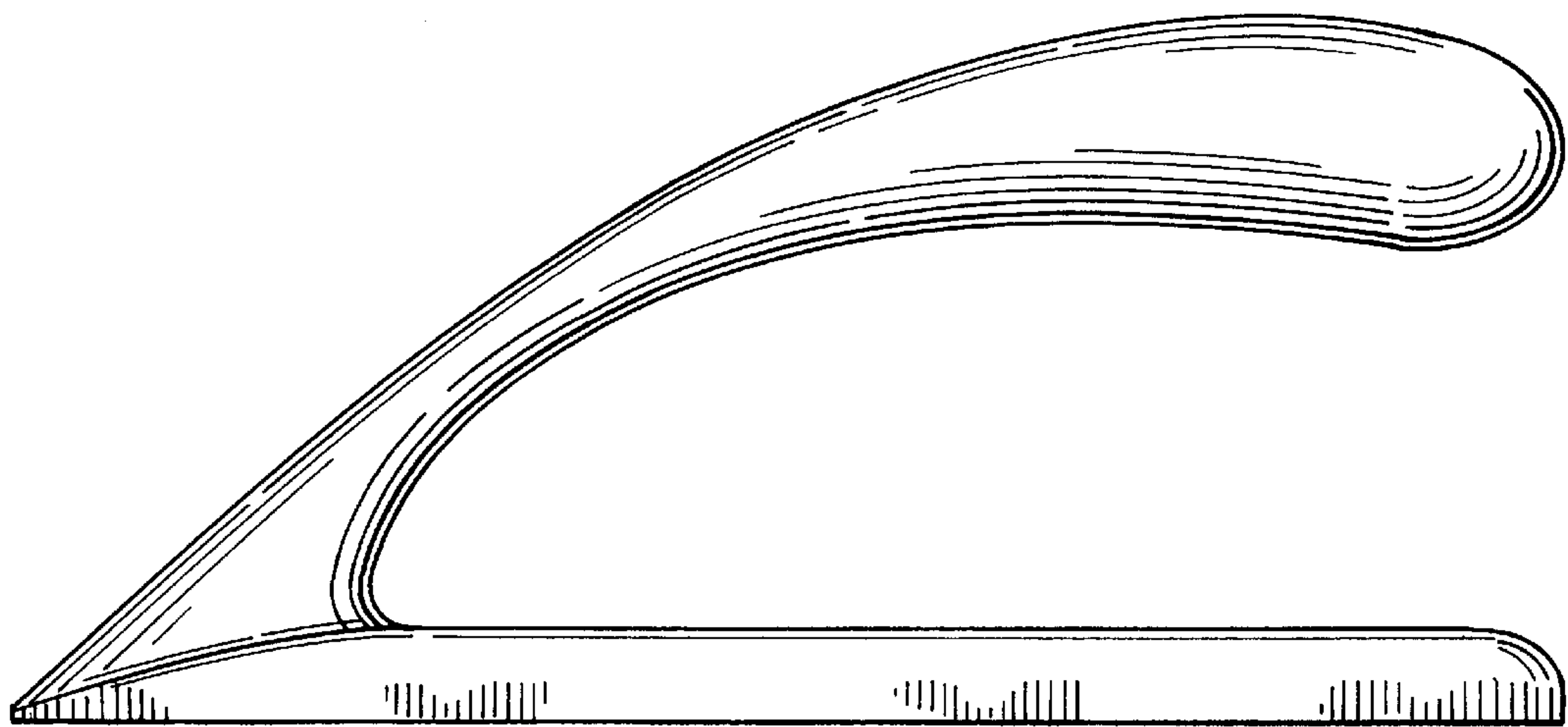
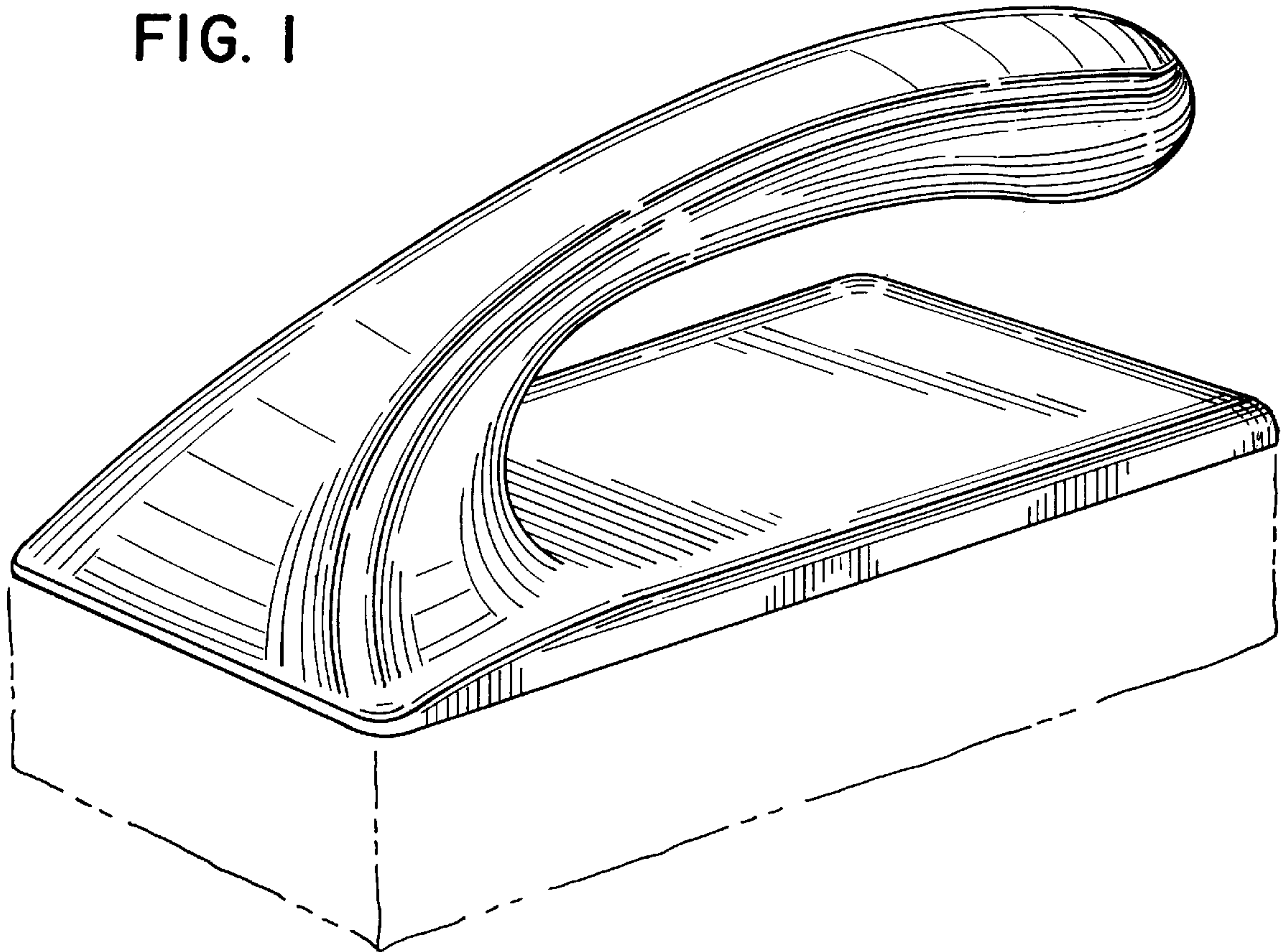


FIG. 2

FIG. 3

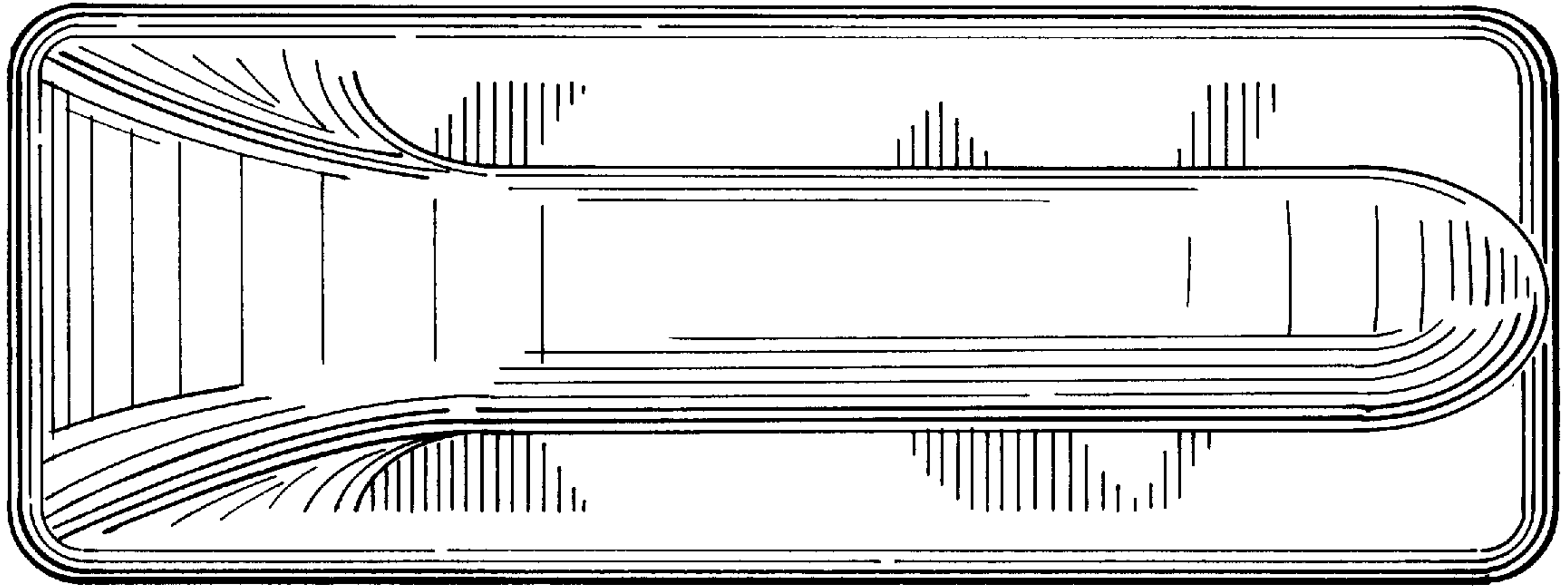


FIG. 4

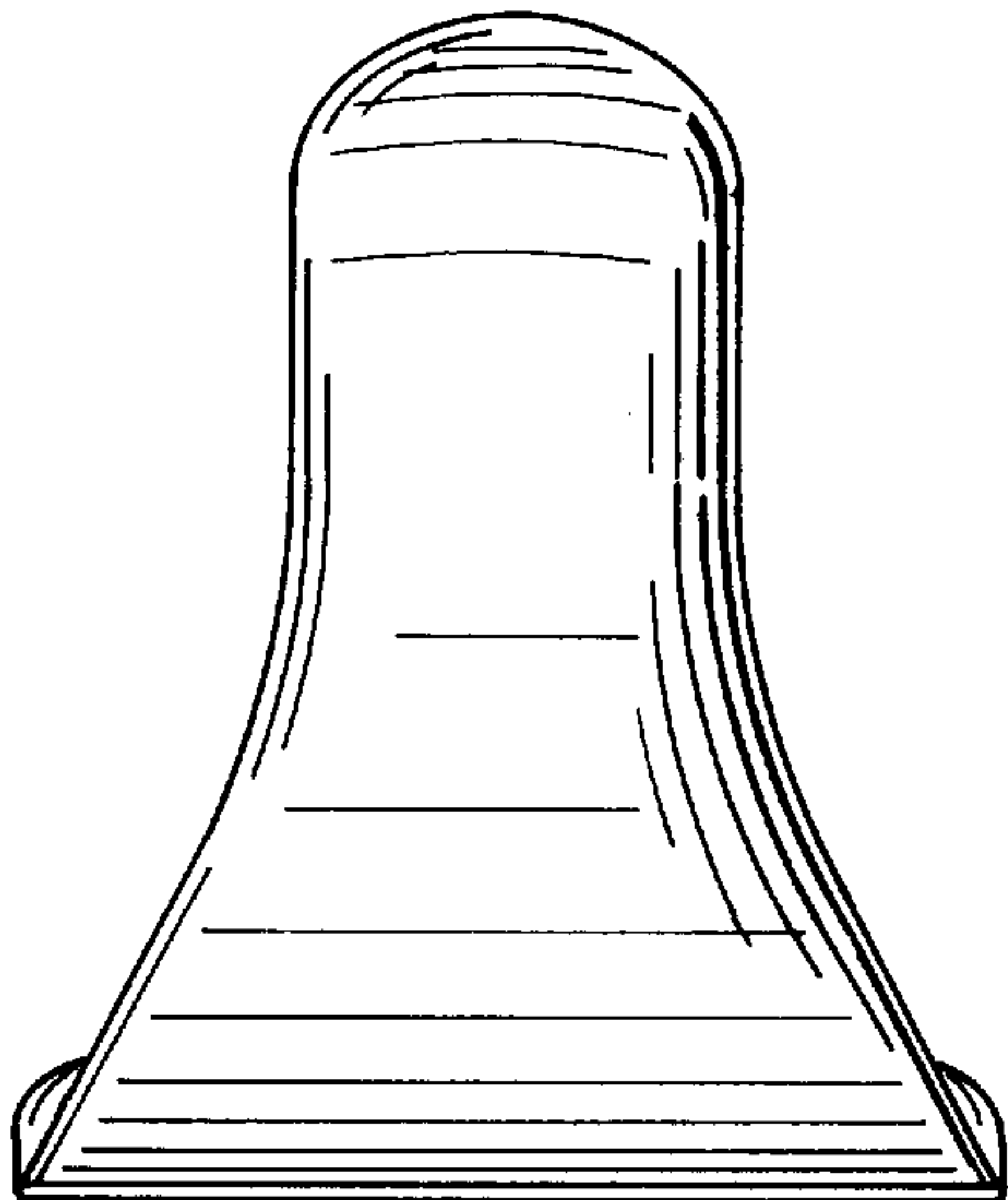


FIG. 5

