



US00D398421S

United States Patent [19]
Crafoord et al.

[11] **Patent Number: Des. 398,421**
[45] **Date of Patent: **Sep. 15, 1998**

[54] **PROTECTIVE HELMET**

[75] Inventors: **Carl-Göran Crafoord**, Djursholm;
Håkan Bergkvist, Bromma; **Kjell Mases**, Gagnef; **Rutger Belin**, Leksand,
all of Sweden

[73] Assignee: **Hornell Elektrooptik AB**, Gagnef,
Sweden

[**] Term: **14 Years**

[21] Appl. No.: **55,704**

[22] Filed: **Jun. 11, 1996**

[30] **Foreign Application Priority Data**

Dec. 12, 1995 [SE] Sweden 95-2362

[51] **LOC (6) Cl.** **29-02**

[52] **U.S. Cl.** **D29/110**

[58] **Field of Search** D29/108-110;
2/8, 9; 219/147

[56] **References Cited**

U.S. PATENT DOCUMENTS

D. 296,832 7/1988 Bachik D29/110

D. 310,276 8/1990 Fuerthbauer et al. D29/110
D. 310,432 9/1990 Boochard D29/110
D. 355,053 1/1995 Honrud D29/108
D. 365,666 12/1995 Gumpp D29/110
D. 366,540 1/1996 Elias D29/110
2,644,159 7/1953 Jacobs D29/110

Primary Examiner—Ruth McInroy
Attorney, Agent, or Firm—Young & Thompson

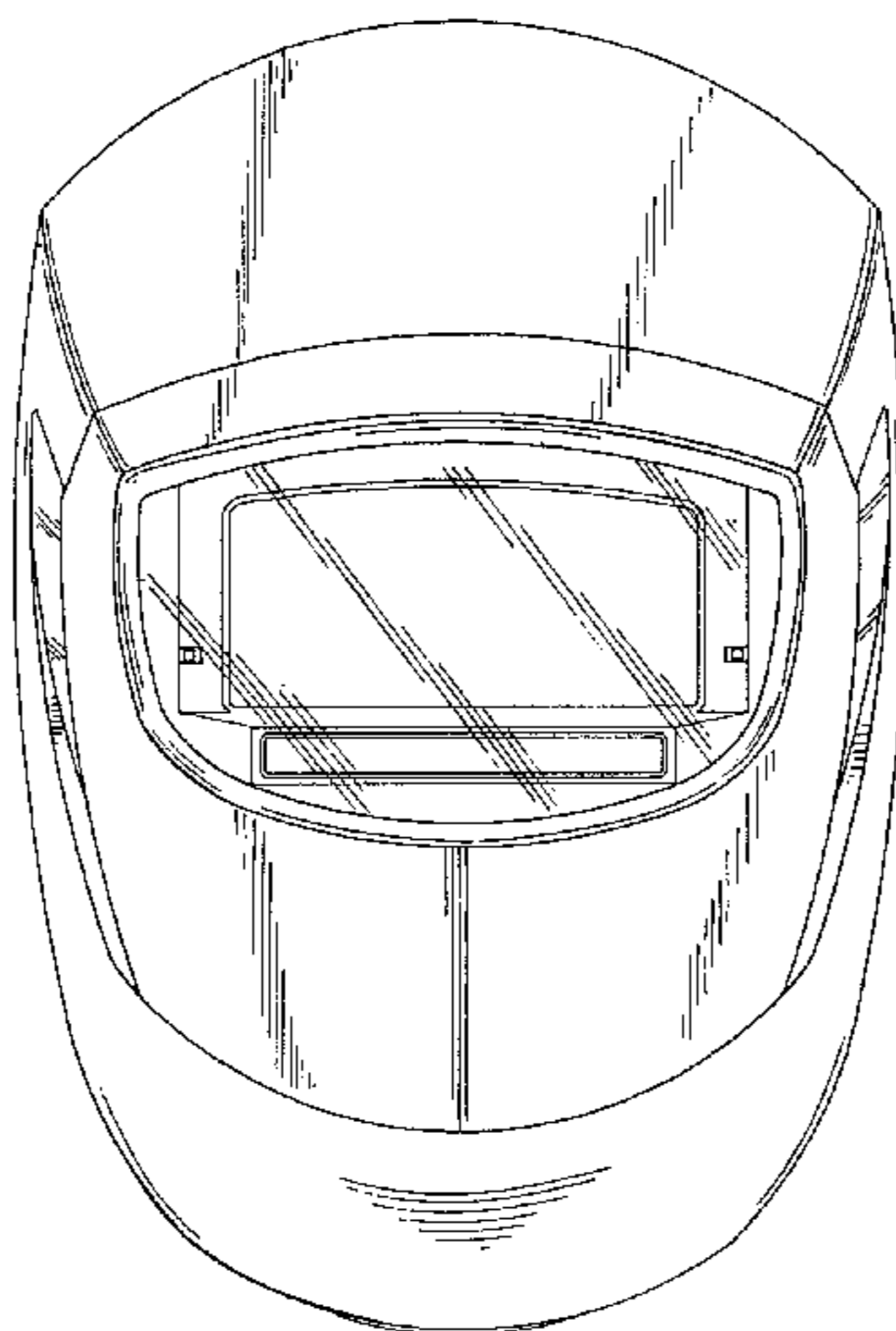
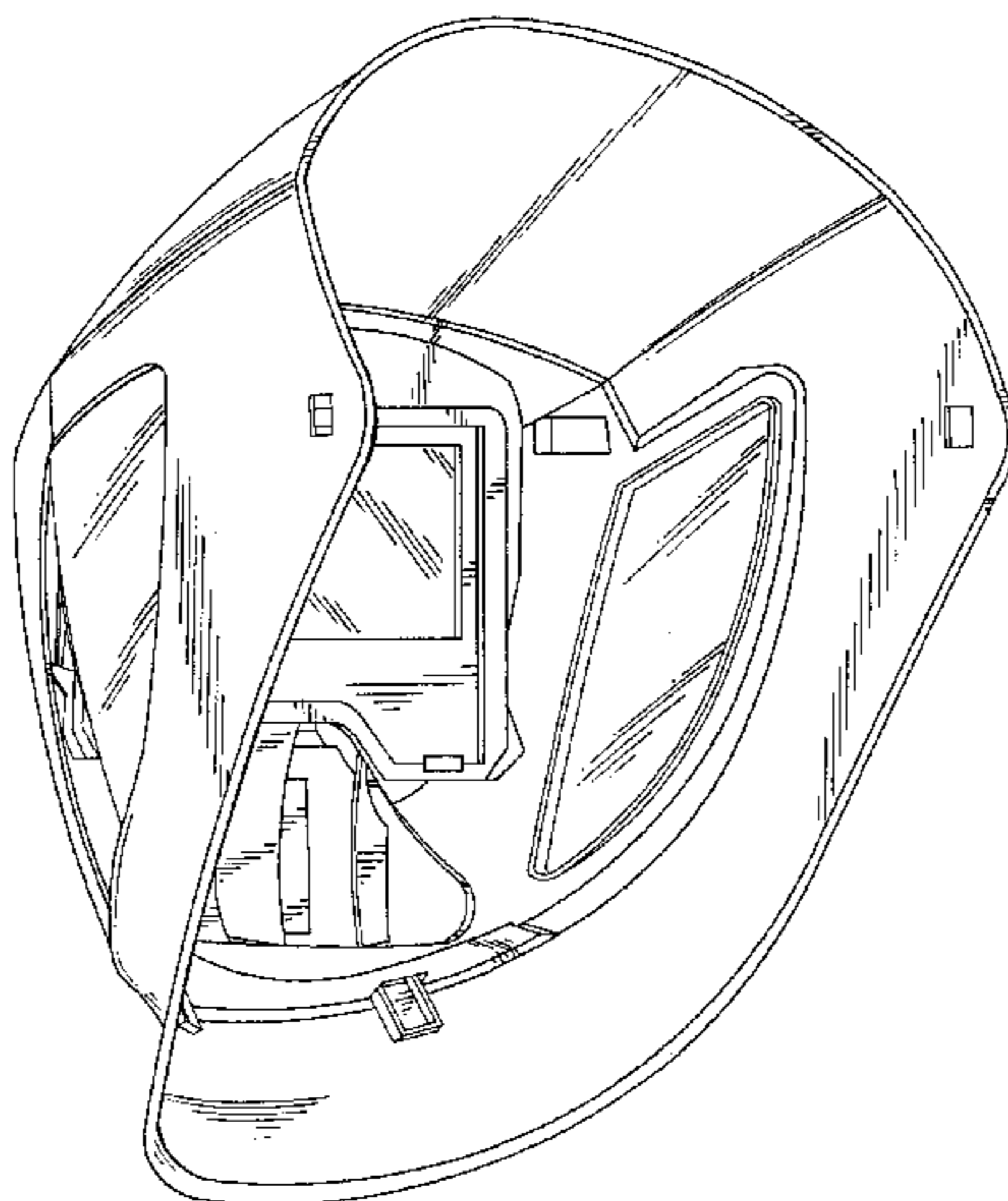
[57] **CLAIM**

The ornamental design for a protective helmet, as shown and described.

DESCRIPTION

FIG. 1 is a rear perspective view of a protective helmet, showing our new design;
FIG. 2 is a front elevational view thereof;
FIG. 3 is a rear elevational view thereof;
FIG. 4 is a right side elevational view thereof;
FIG. 5 is a left side elevational view thereof;
FIG. 6 is a top plan view thereof; and,
FIG. 7 is a bottom plan view thereof.

1 Claim, 7 Drawing Sheets



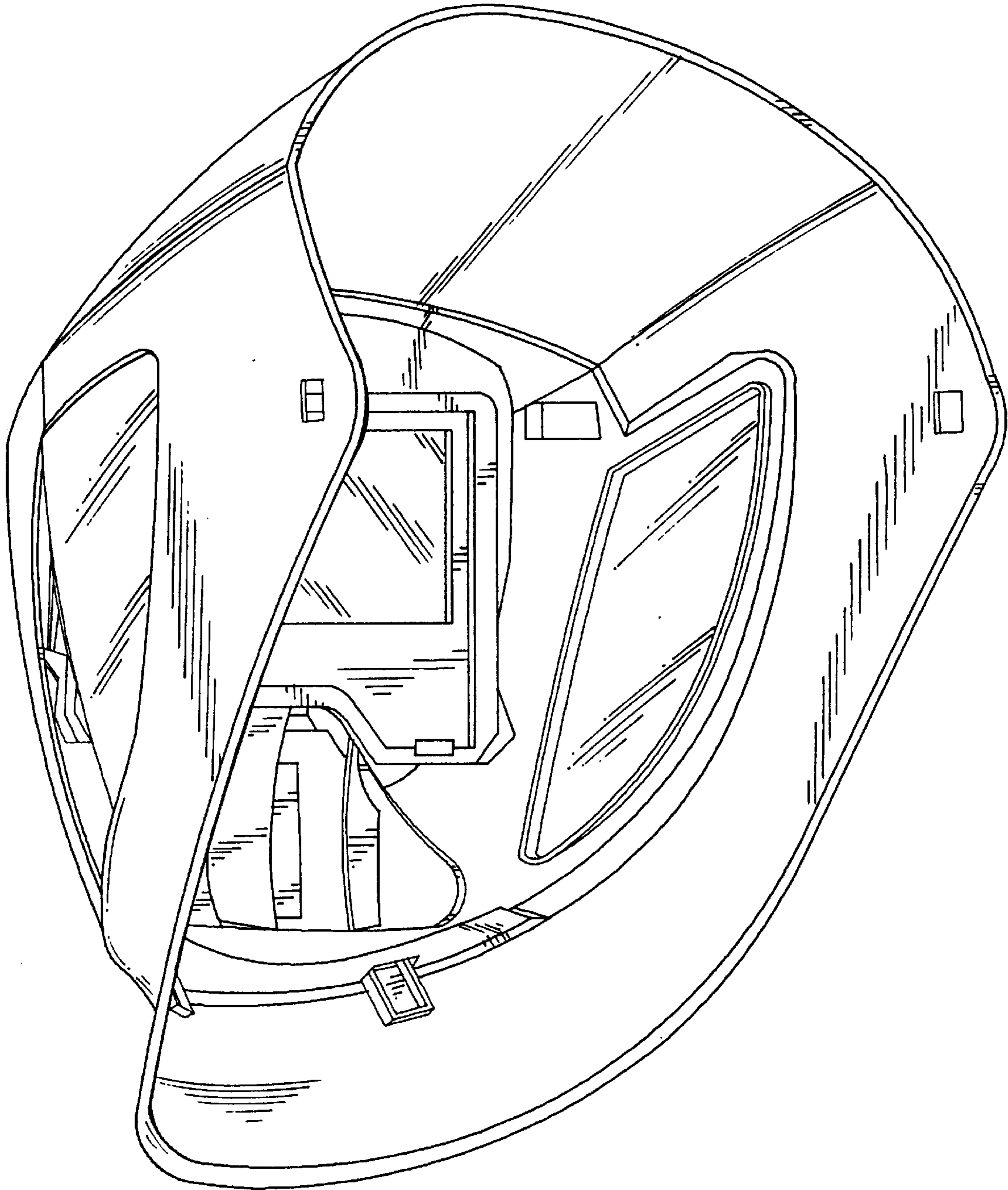


FIG. 1

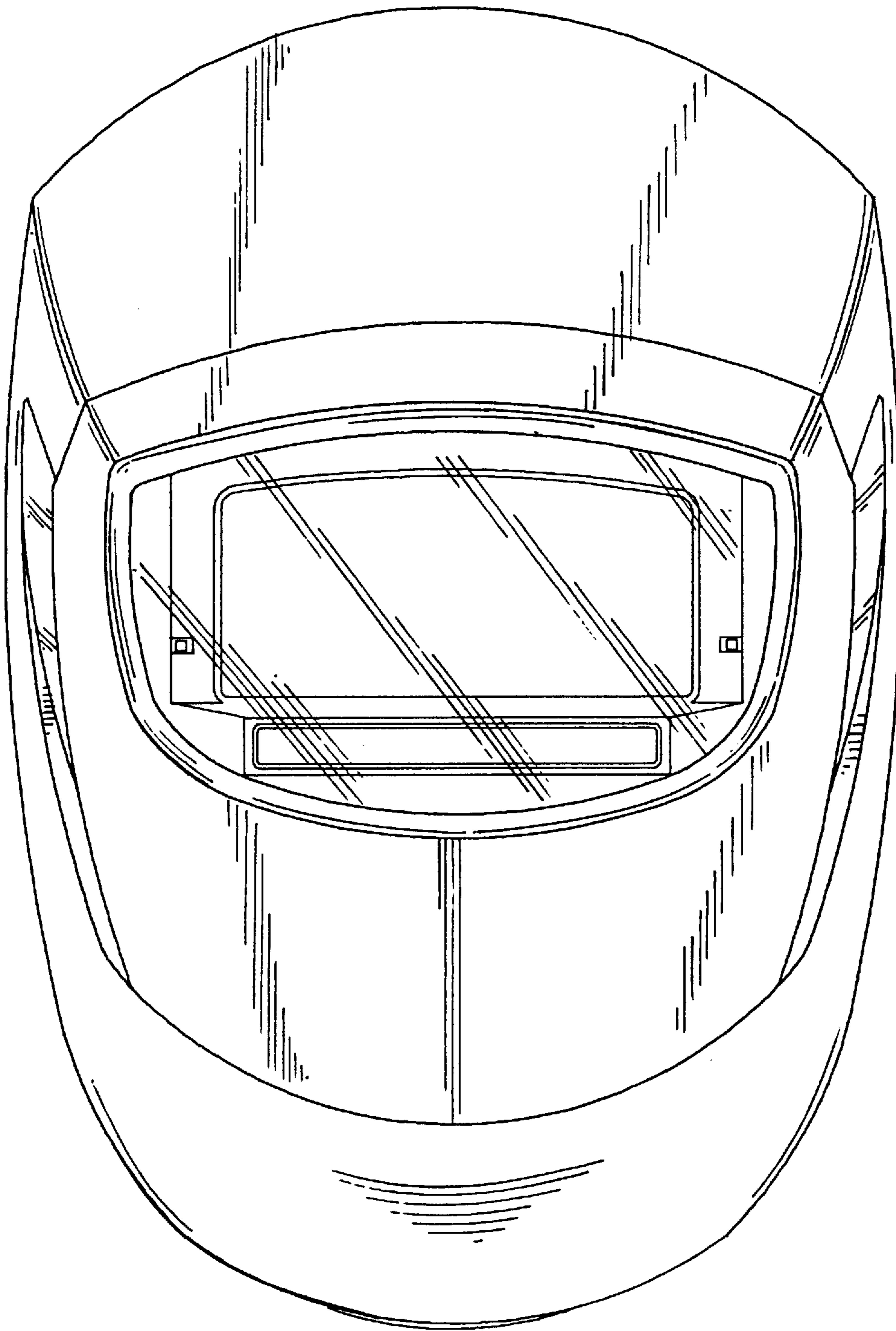


FIG. 2

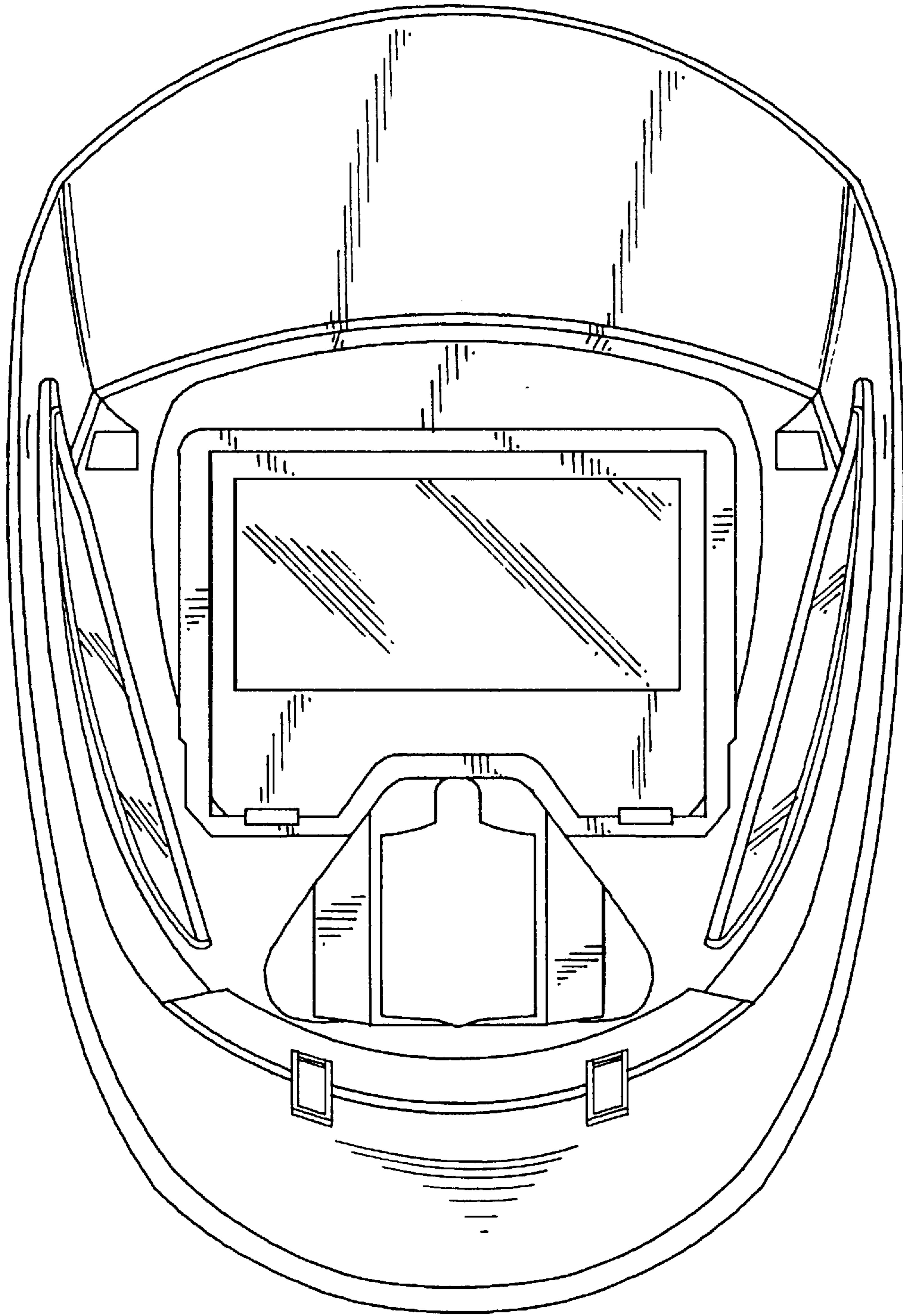


FIG. 3

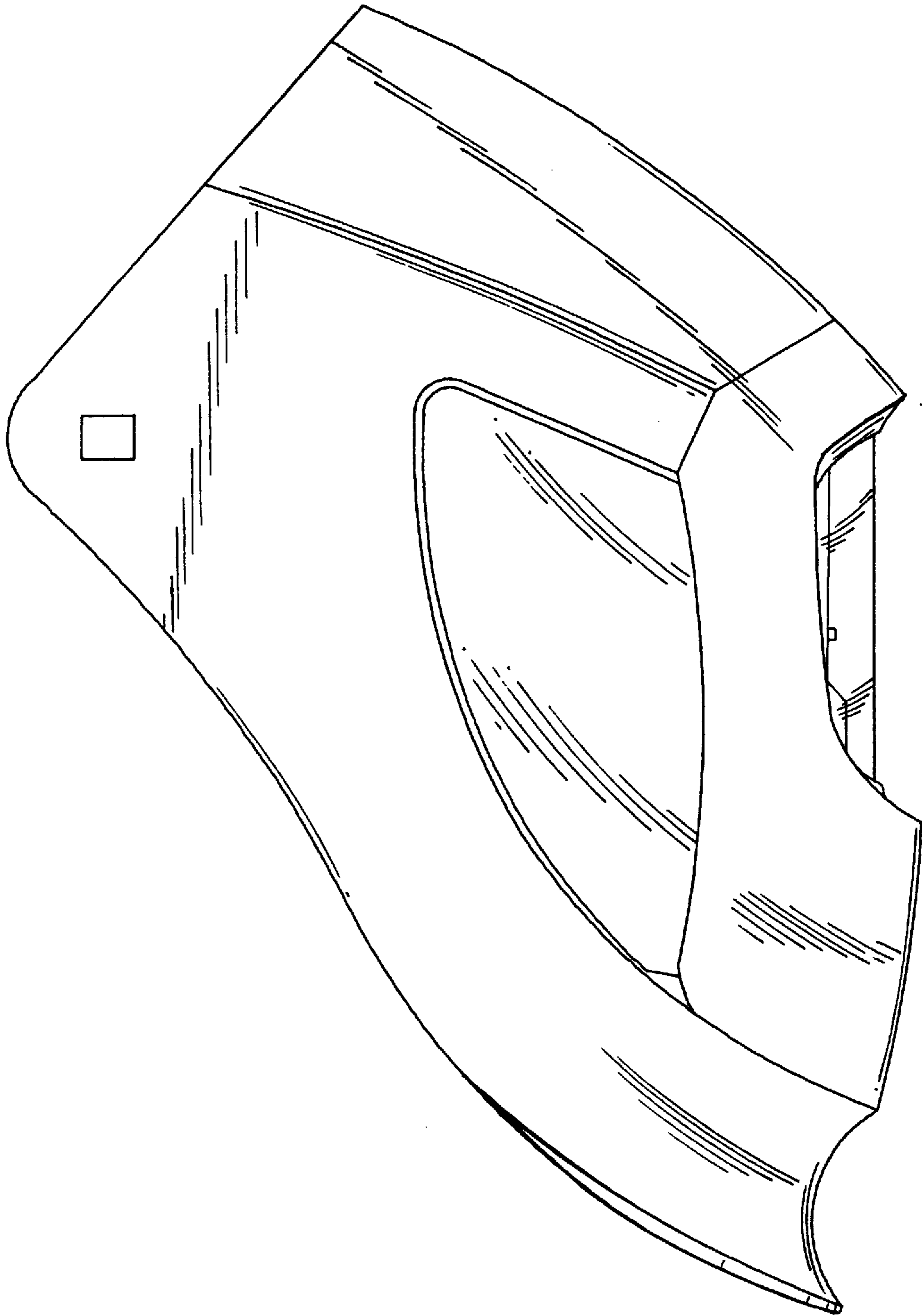


FIG. 4

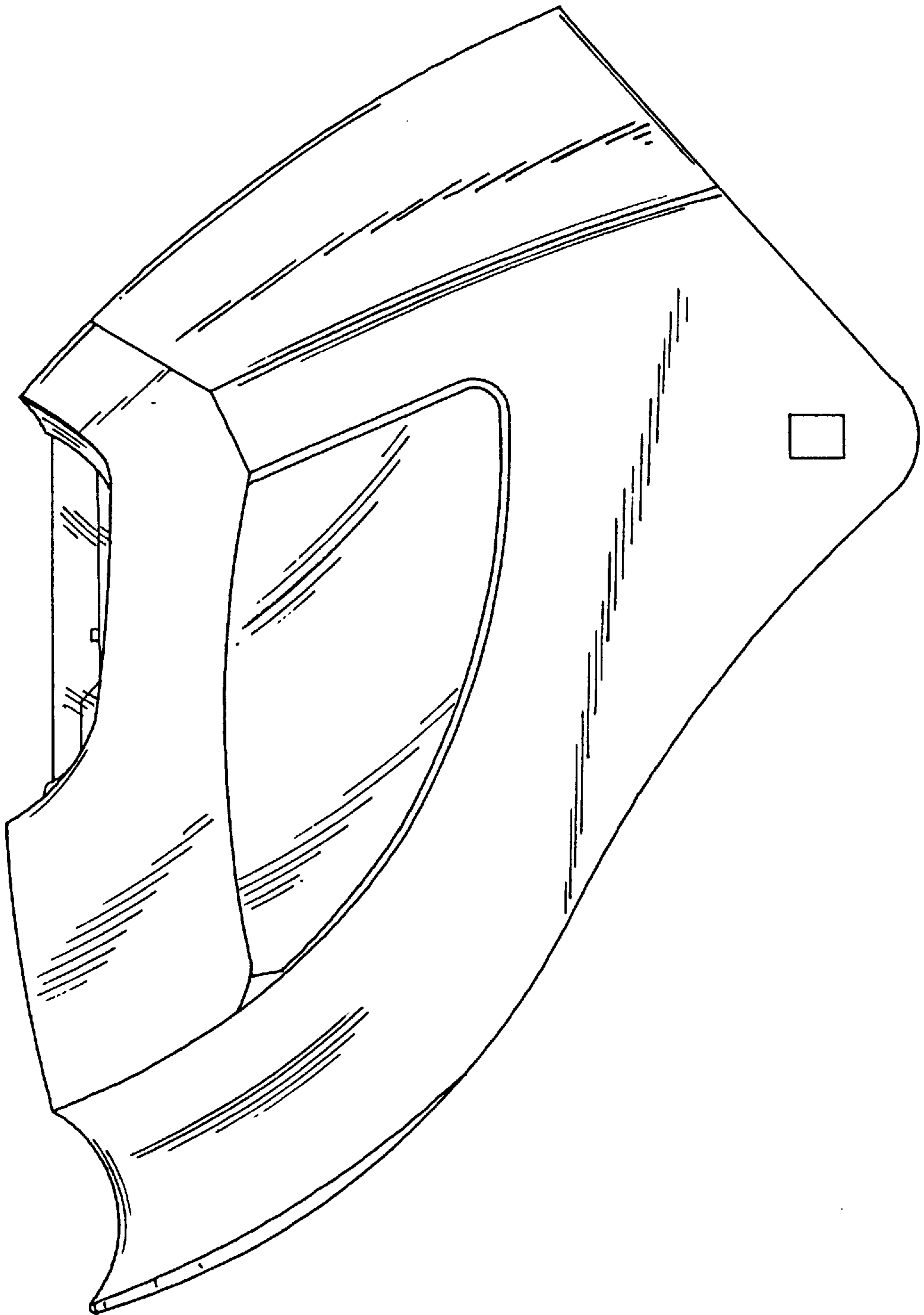


FIG. 5

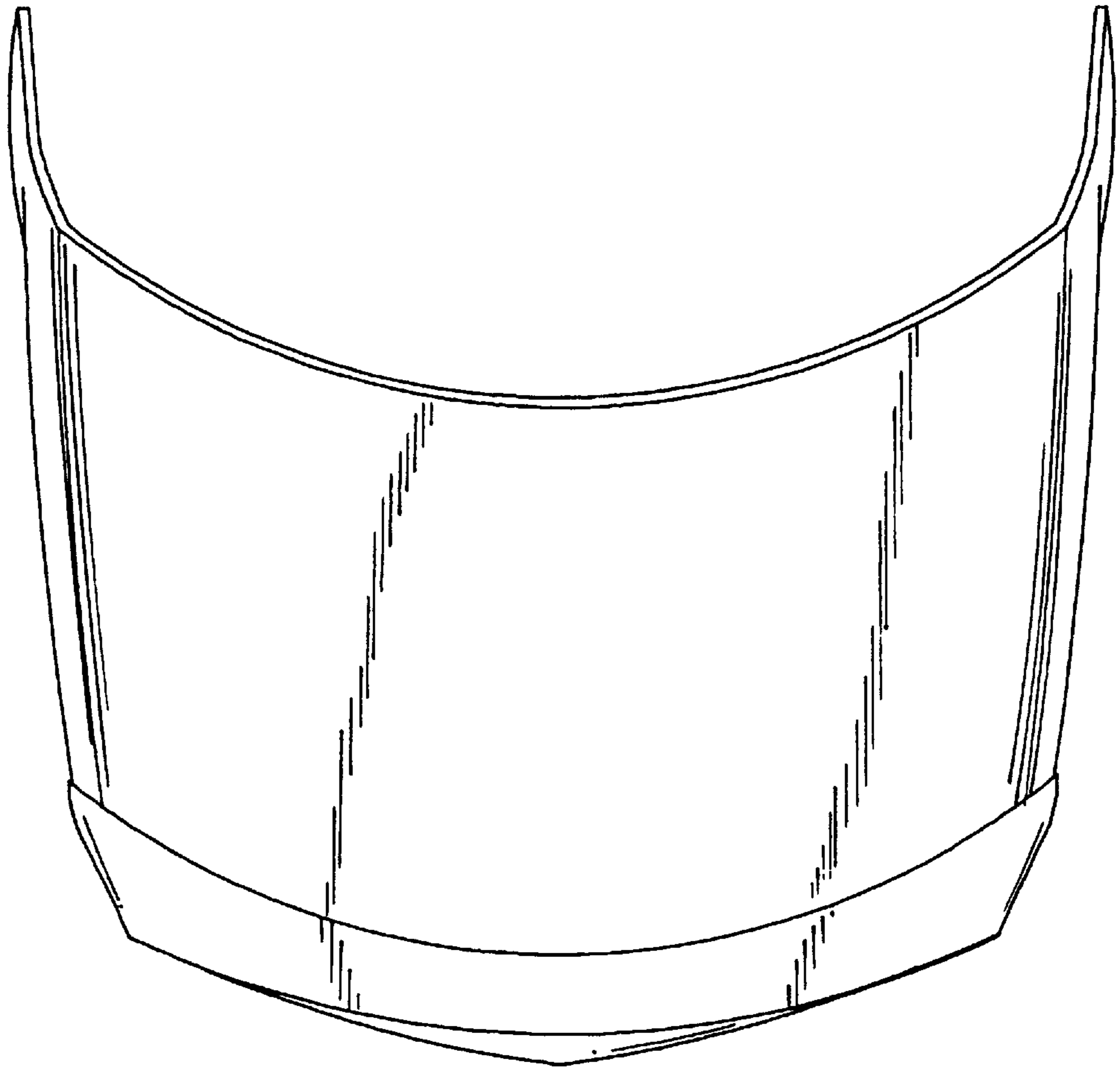


FIG. 6

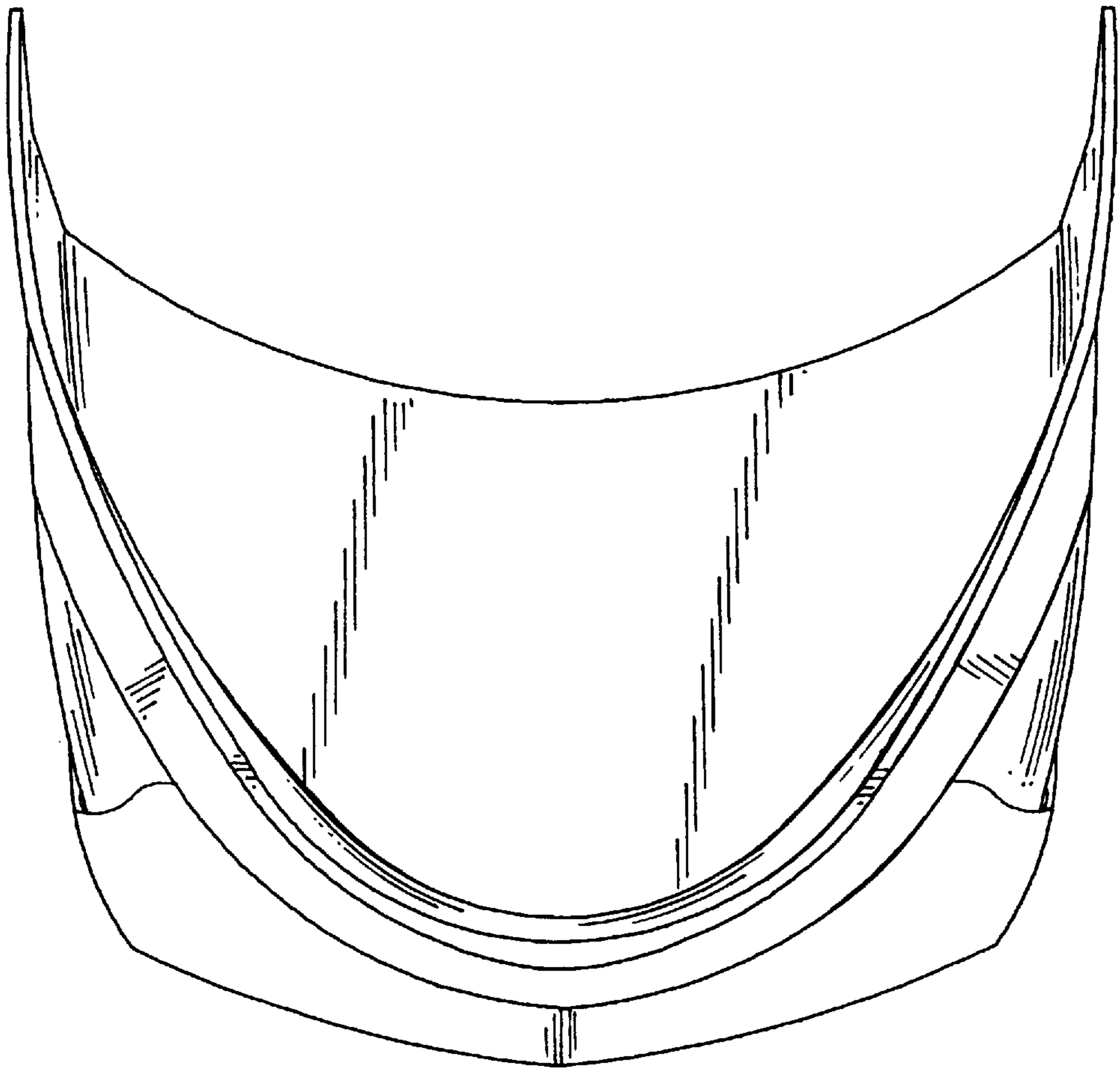


FIG. 7