



US00D398414S

United States Patent [19]
Pagliarini

[11] **Patent Number: Des. 398,414**

[45] **Date of Patent: **Sep. 15, 1998**

[54] **BRACKET LAMP**

[76] Inventor: **Franco Pagliarini**, Via Martiri della
Libertà 8/R, 25049 Iseo (BS), Italy

[**] Term: **14 Years**

[21] Appl. No.: **73,541**

[22] Filed: **Jul. 9, 1997**

[51] **LOC (6) Cl.** **26-05**

[52] **U.S. Cl.** **D26/85**

[58] **Field of Search** D26/72, 80, 85,
D26/86, 87, 91, 92, 119; 362/147, 404,
432, 362, 376, 377, 378

[56] **References Cited**

U.S. PATENT DOCUMENTS

D. 381,452 7/1997 Landefeld D26/85

OTHER PUBLICATIONS

Design With Lighting, p. 36, Ovale wall lamp with grill,
Dec. 1993.

Prisma Illuminazione, Lightning Bug catalog, p. 28, wall
lamp, EKO 18, Sep. 1988.

Primary Examiner—Susan J. Lucas
Attorney, Agent, or Firm—Hedman, Gibson & Costigan,
P.C.

[57] **CLAIM**

The ornamental design for a bracket lamp, as shown and
described.

DESCRIPTION

FIG. 1 is a front perspective view of a bracket lamp
according to my design;

FIG. 2 is a right side view of my design;

FIG. 3 is a left side view of my design;

FIG. 4 is a top view of my design;

FIG. 5 is a bottom view of my design;

FIG. 6 is a front view of my design; and,

FIG. 7 is a back view of my design.

1 Claim, 5 Drawing Sheets

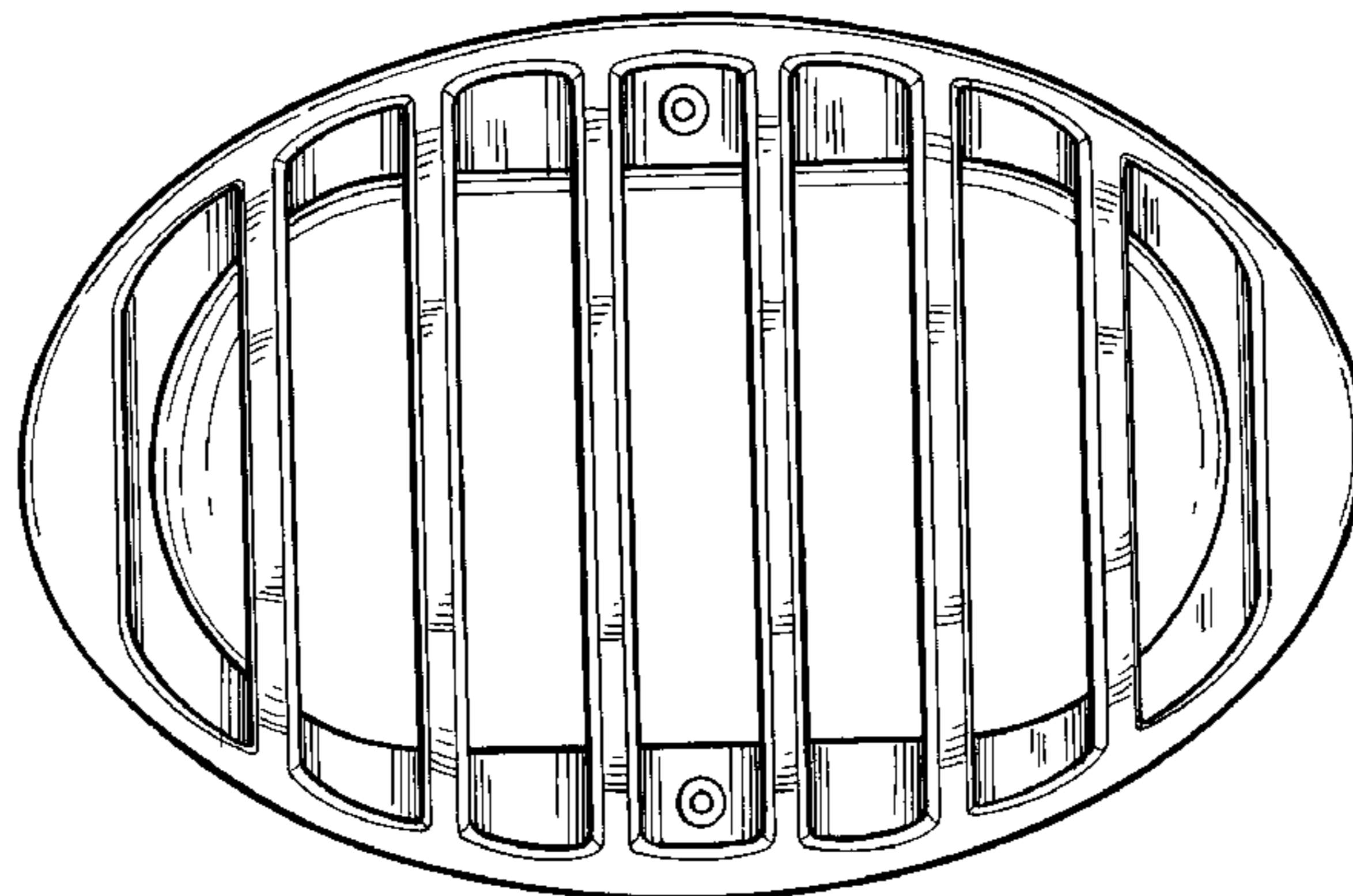
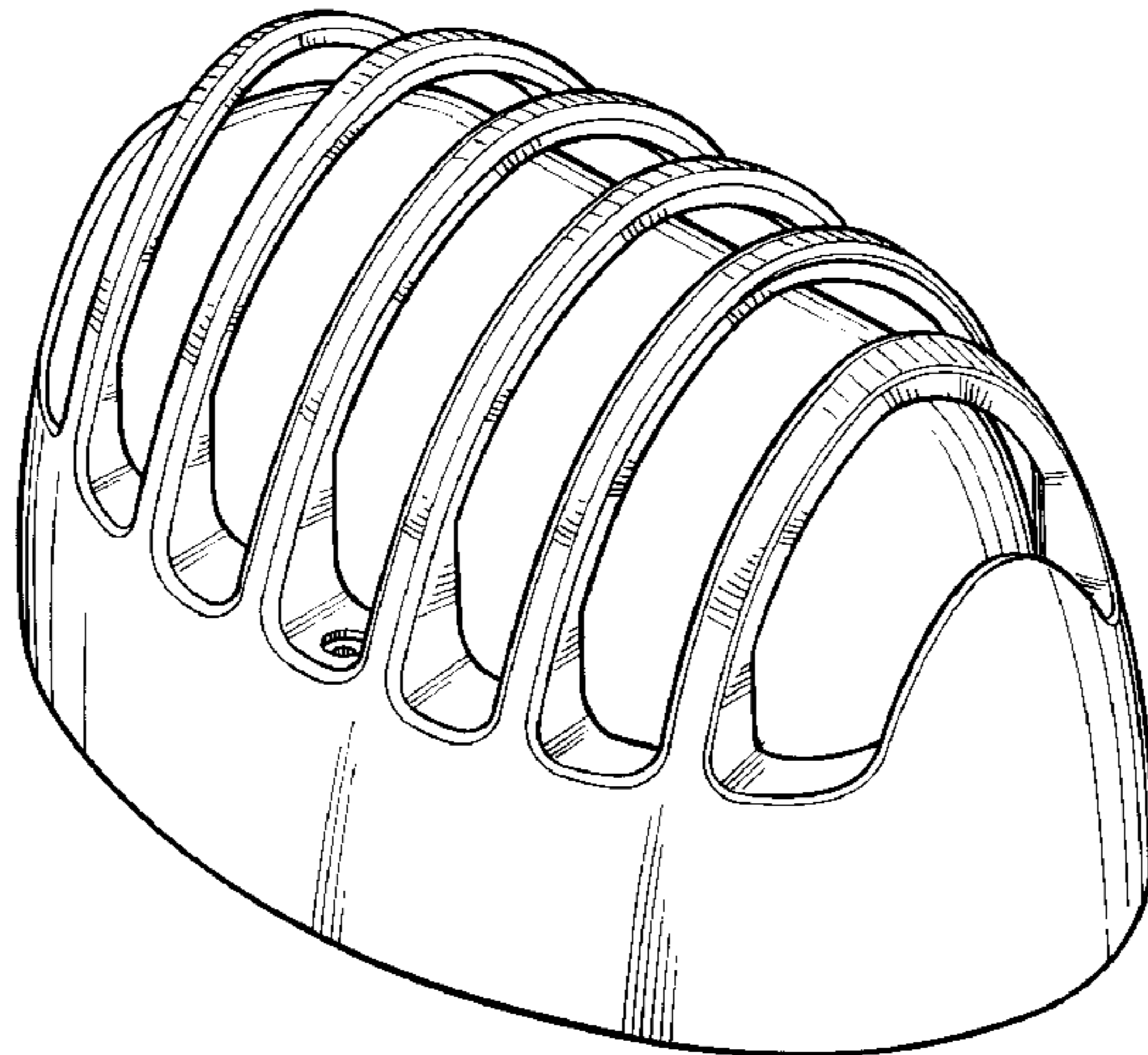
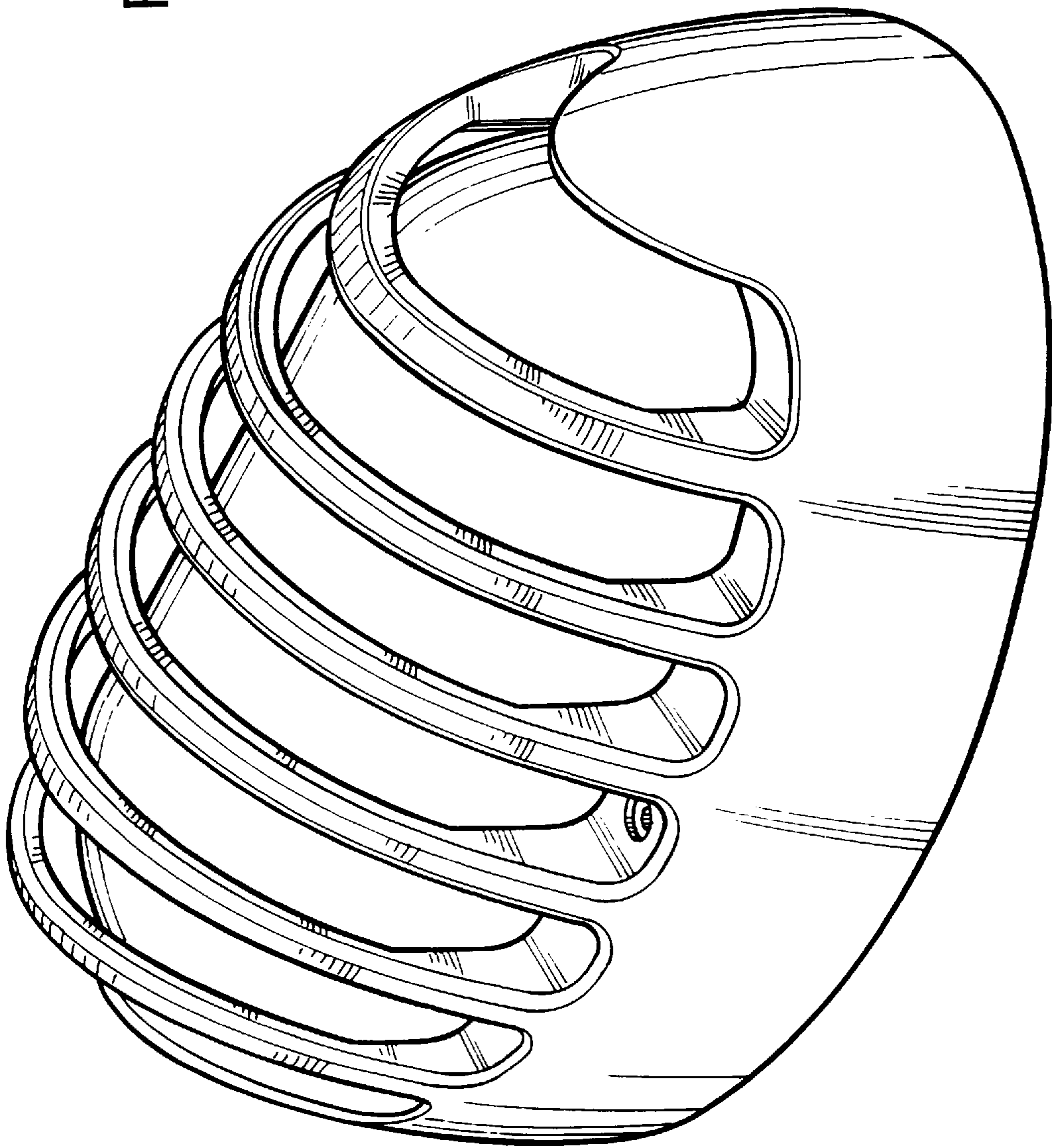


FIG. 1



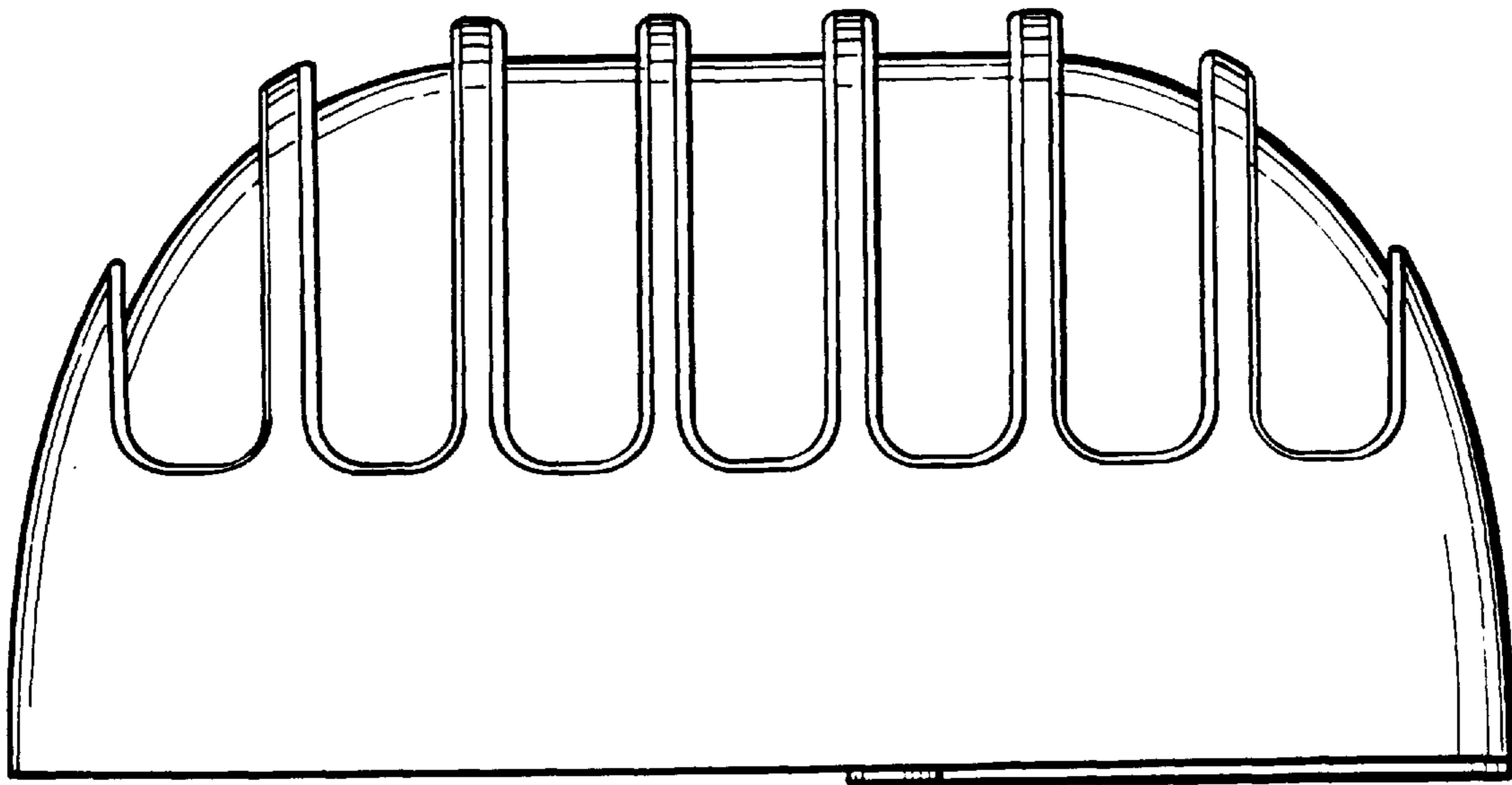


FIG. 2

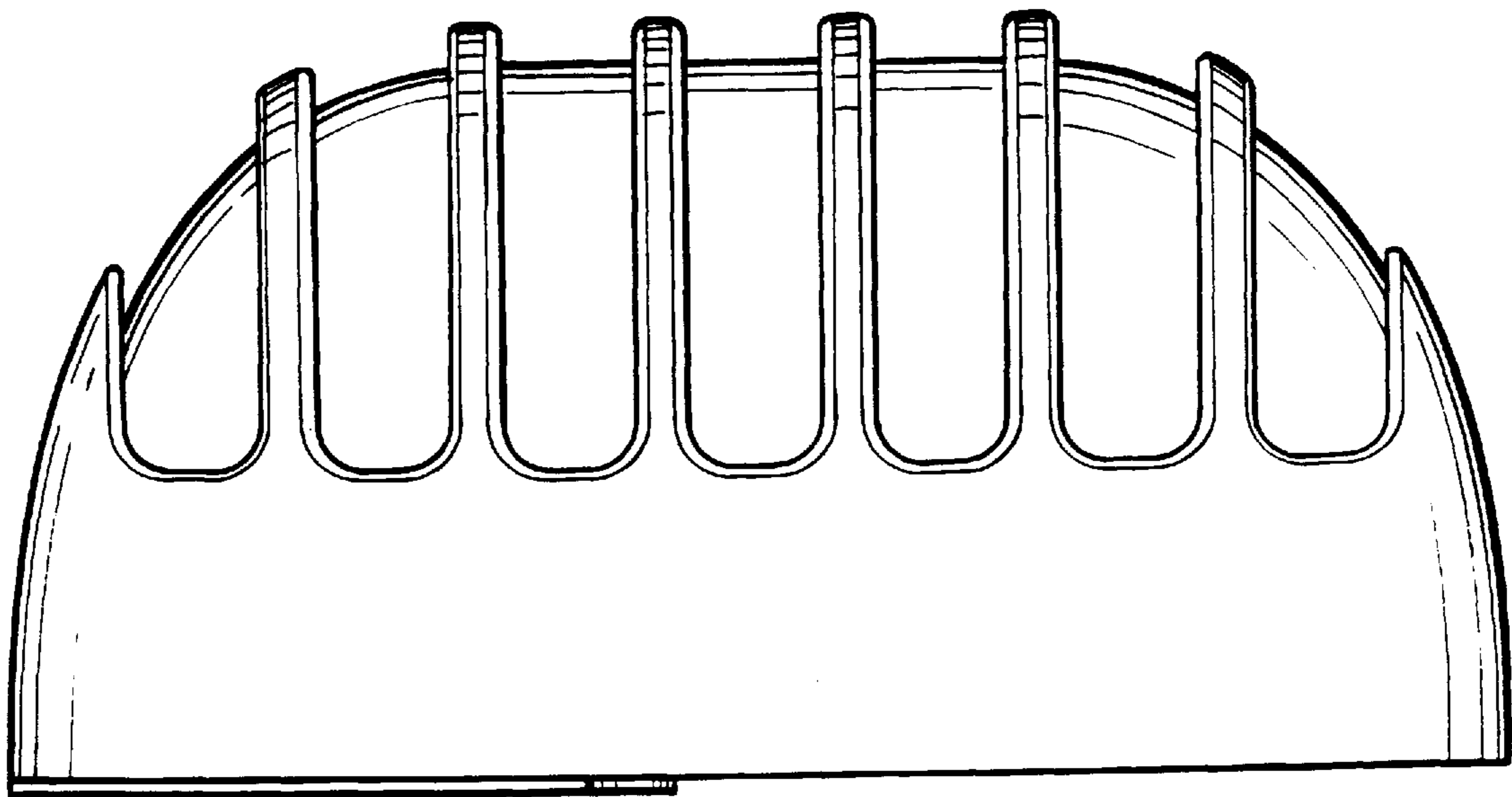


FIG. 3

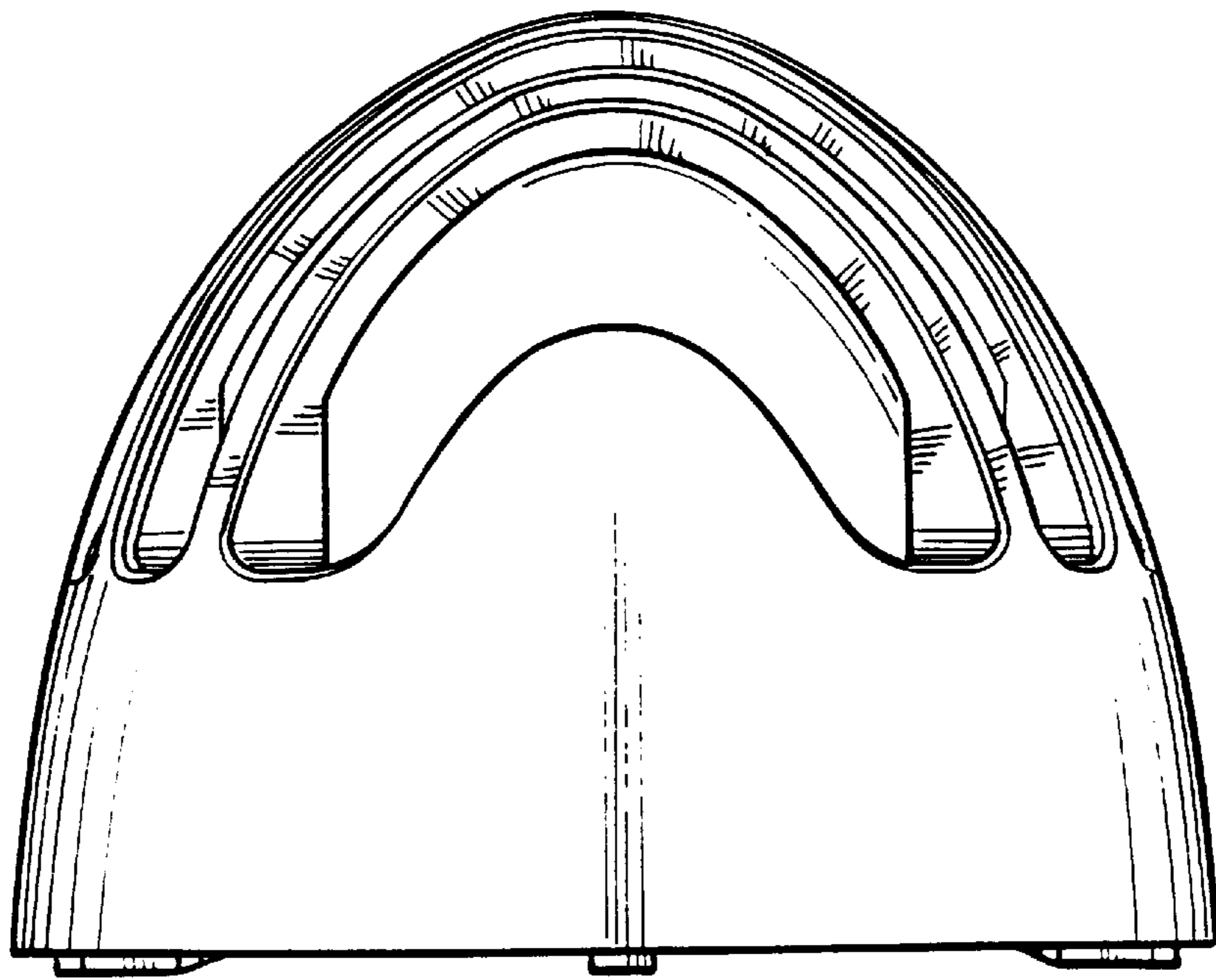


FIG. 4

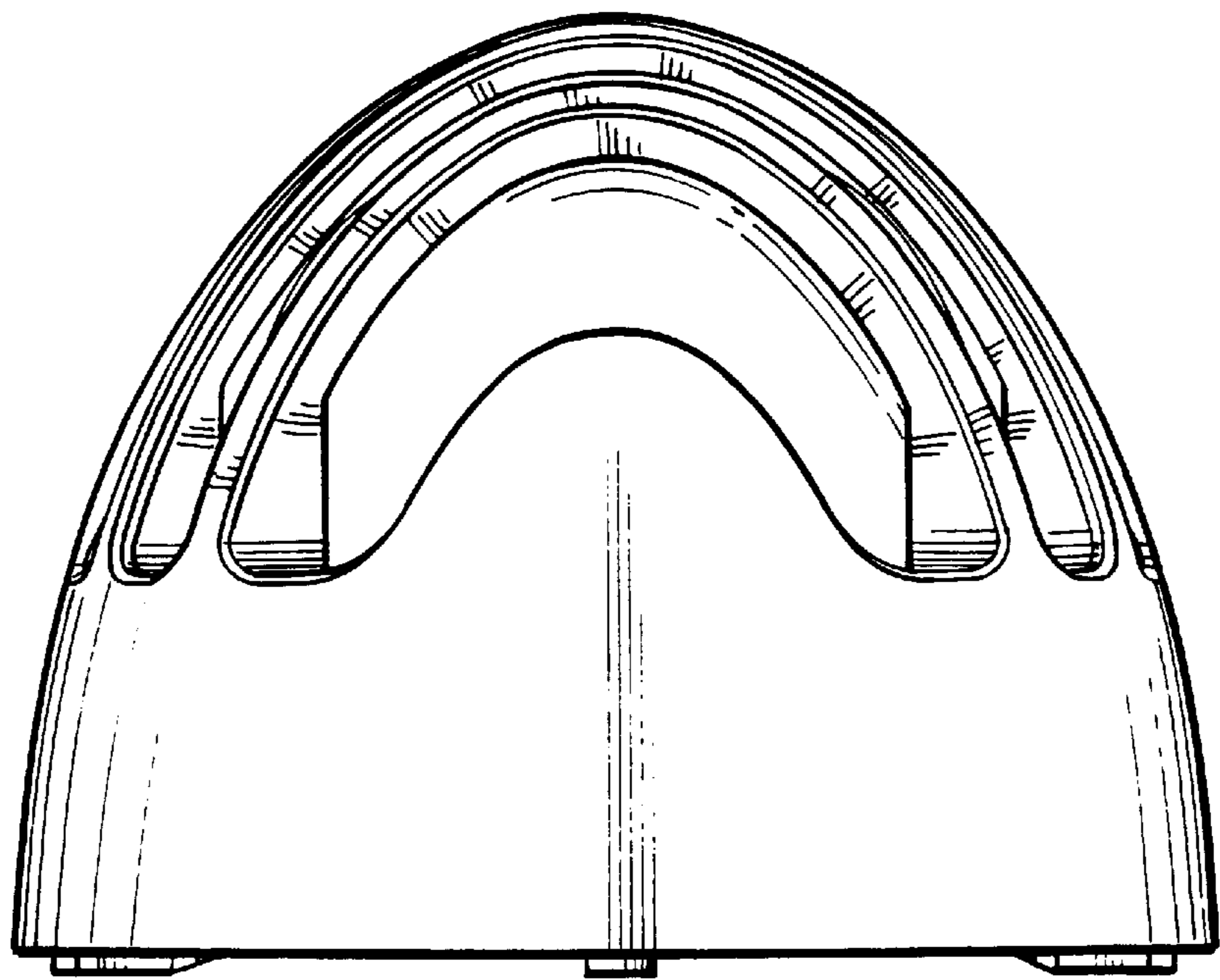


FIG. 5

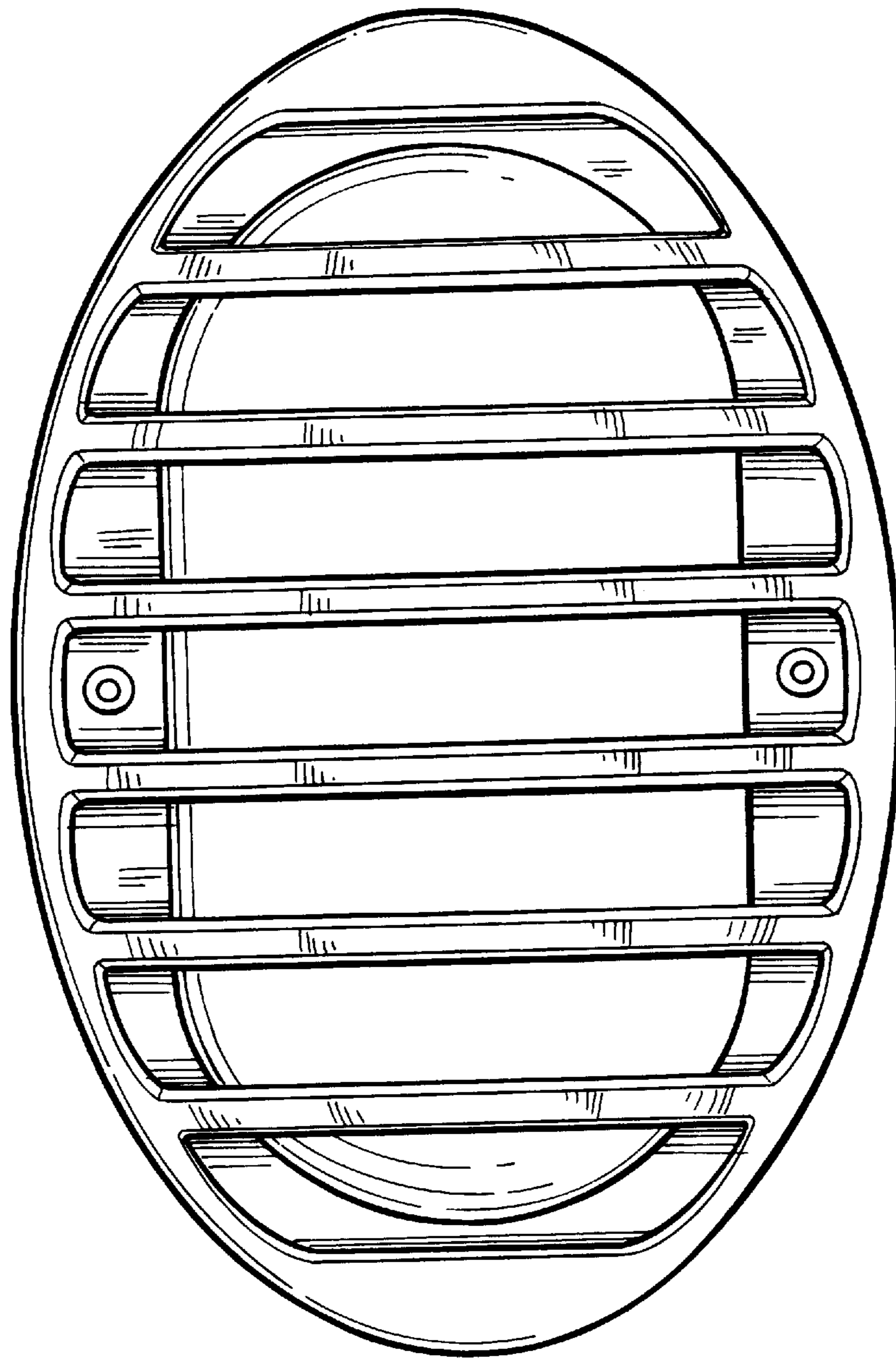


FIG. 6

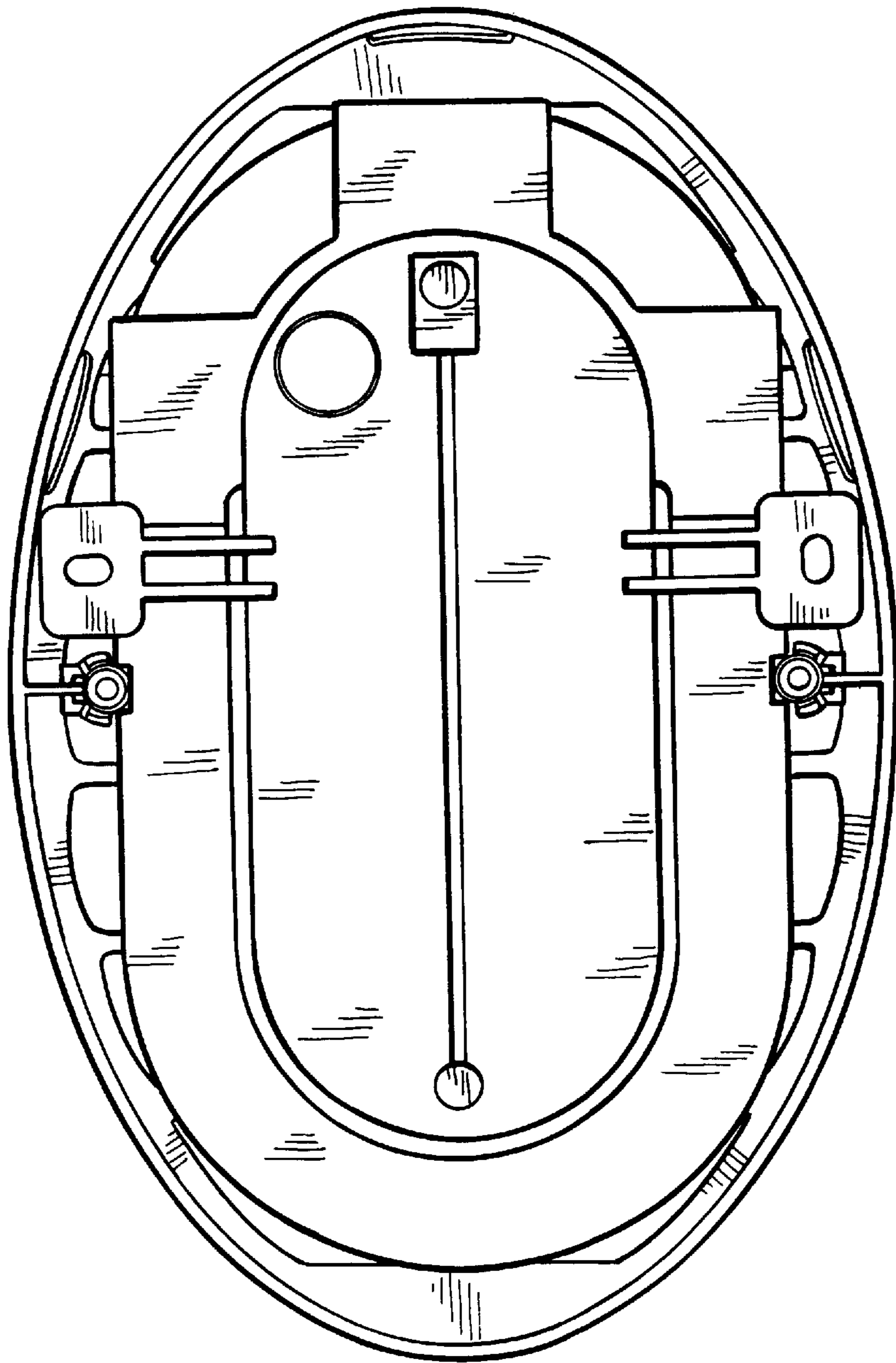


FIG. 7