



US00D398413S

United States Patent [19] Compton

[11] **Patent Number: Des. 398,413**

[45] **Date of Patent: **Sep. 15, 1998**

[54] **LIGHTING FIXTURE**

[75] Inventor: **James Patrick Compton**, Lithonia, Ga.

[73] Assignee: **National Service Industries, Inc.**,
Atlanta, Ga.

[**] Term: **14 Years**

[21] Appl. No.: **74,291**

[22] Filed: **Jul. 24, 1997**

[51] **LOC (6) Cl.** **26-05**

[52] **U.S. Cl.** **D26/76**

[58] **Field of Search** D26/75-79, 72,
D26/122; 362/147, 217, 222, 223, 225,
292, 341, 346, 347

[56] **References Cited**

PUBLICATIONS

Home Lighting and Accessories, p. 17, fluorescent lighting fixture, Jul. 1982.

Lithonia Lighting Concepts catalog, p. 9, fluorescent lighting fixture #11442, 1989.

Primary Examiner—Susan J. Lucas
Attorney, Agent, or Firm—Kenneth E. Darnell

[57] **CLAIM**

The ornamental design for a lighting fixture, as shown and described.

DESCRIPTION

FIG. 1 is a perspective view taken from beneath the lighting fixture;

FIG. 2 is a side elevational view of the lighting fixture, the opposite side being a mirror image;

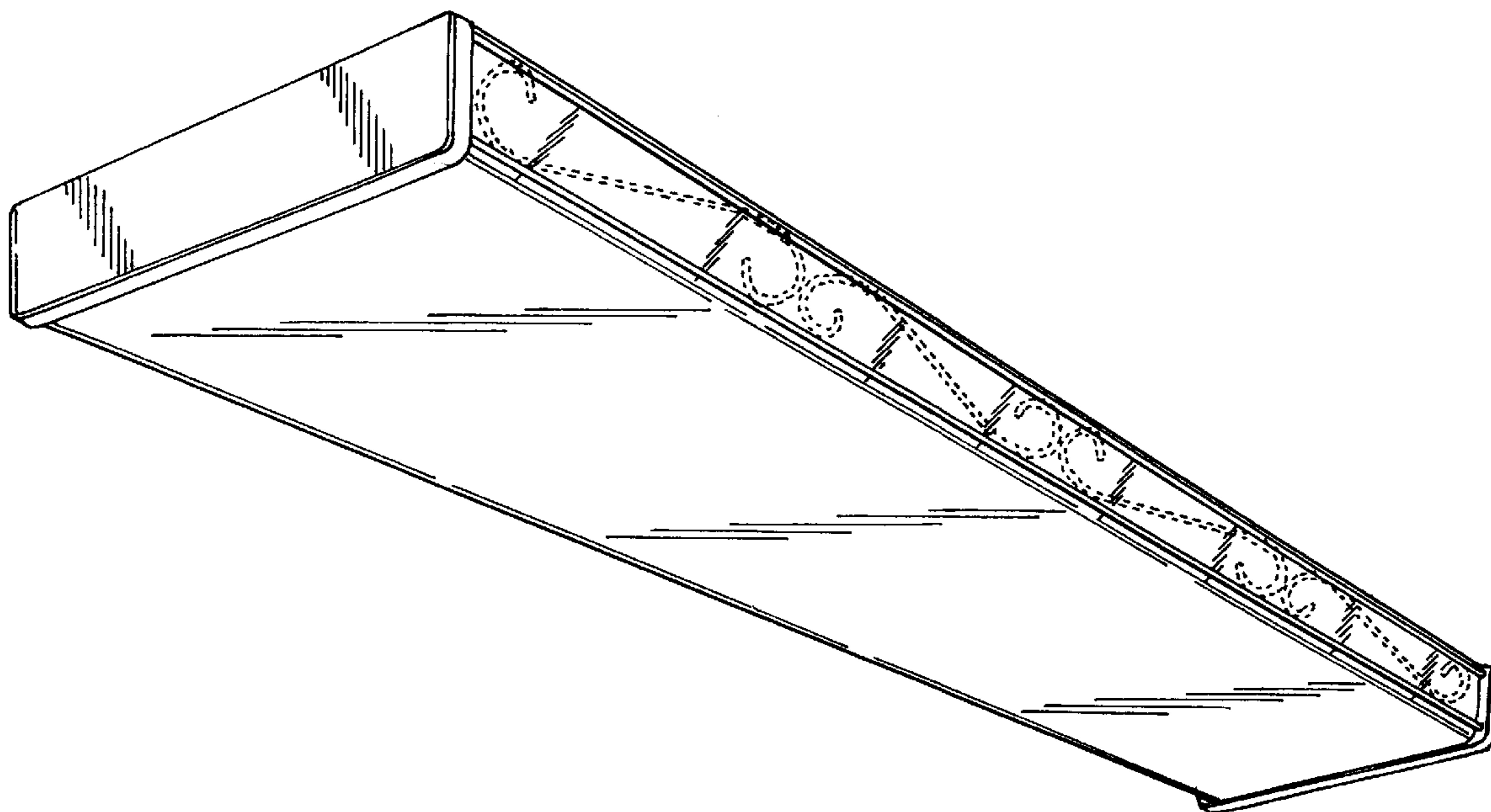
FIG. 3 is a bottom plan view of the lighting fixture;

FIG. 4 is a top plan view of the lighting fixture; and,

FIG. 5 is an end elevational view of the lighting fixture, the opposite end being a mirror image.

The broken lines are shown for illustrative purposes only and form no part of the claimed design.

1 Claim, 2 Drawing Sheets



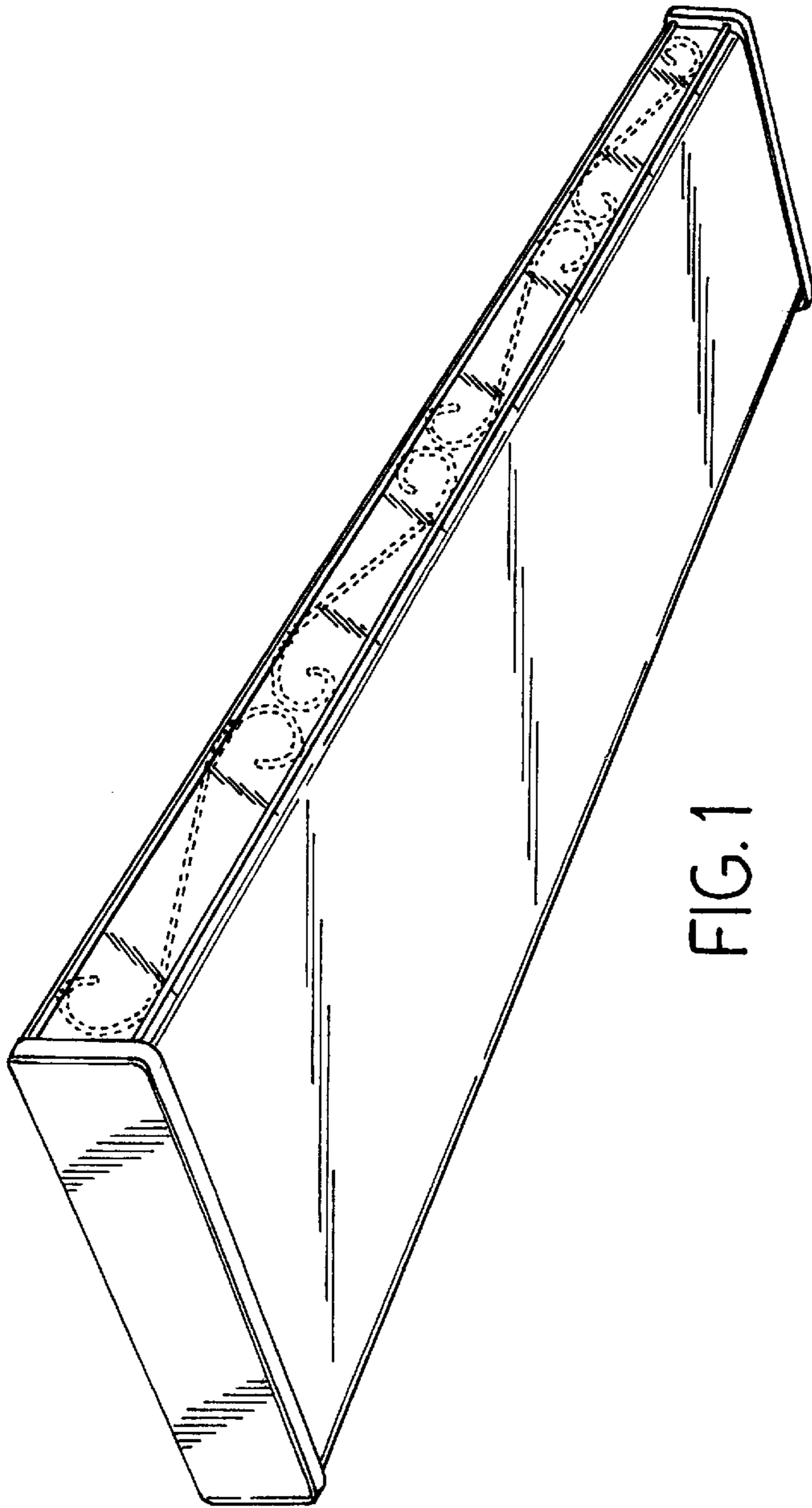


FIG. 1

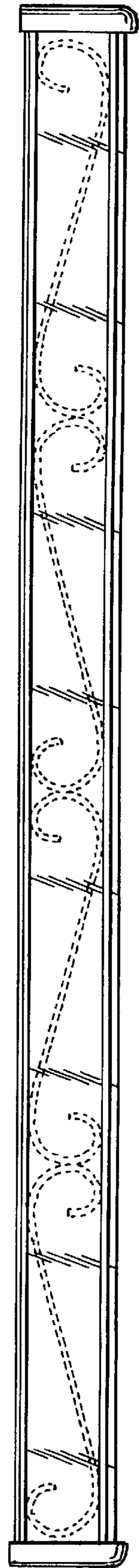


FIG. 2

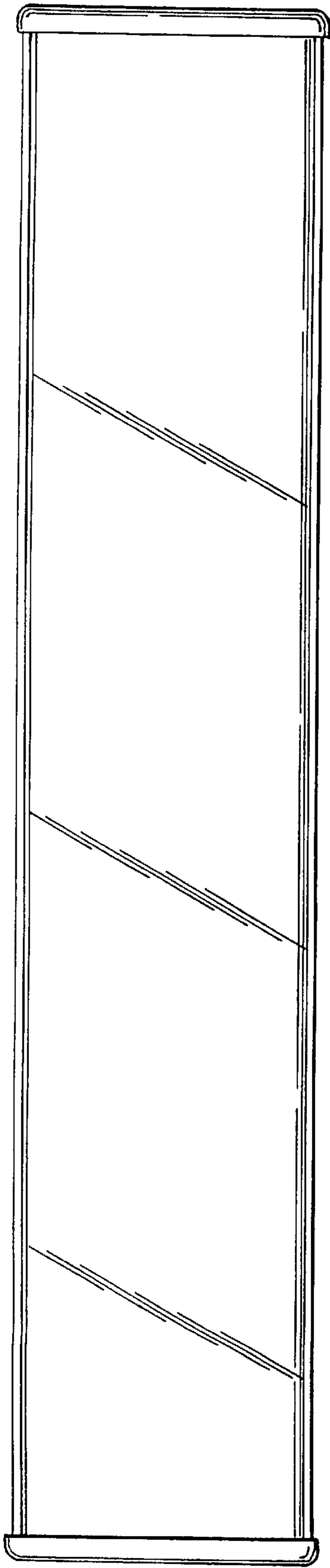


FIG. 3

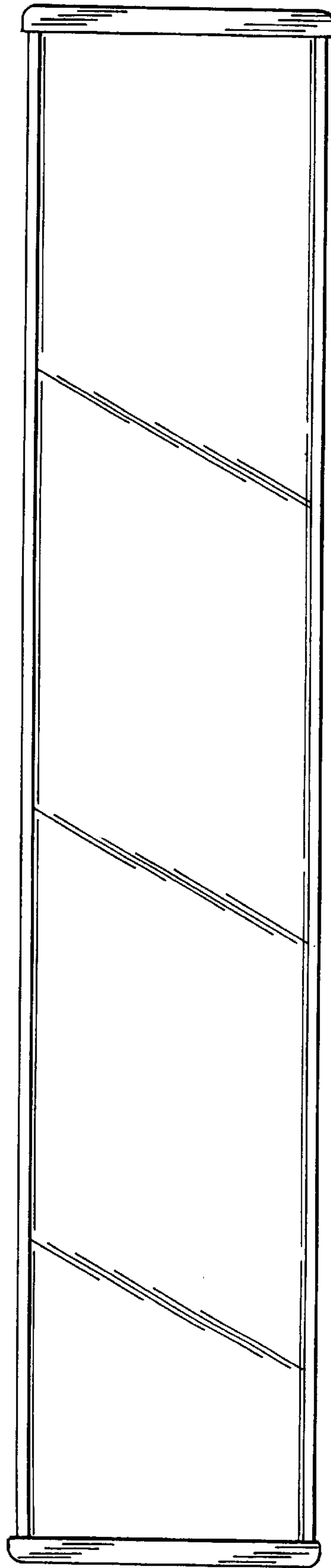


FIG. 4

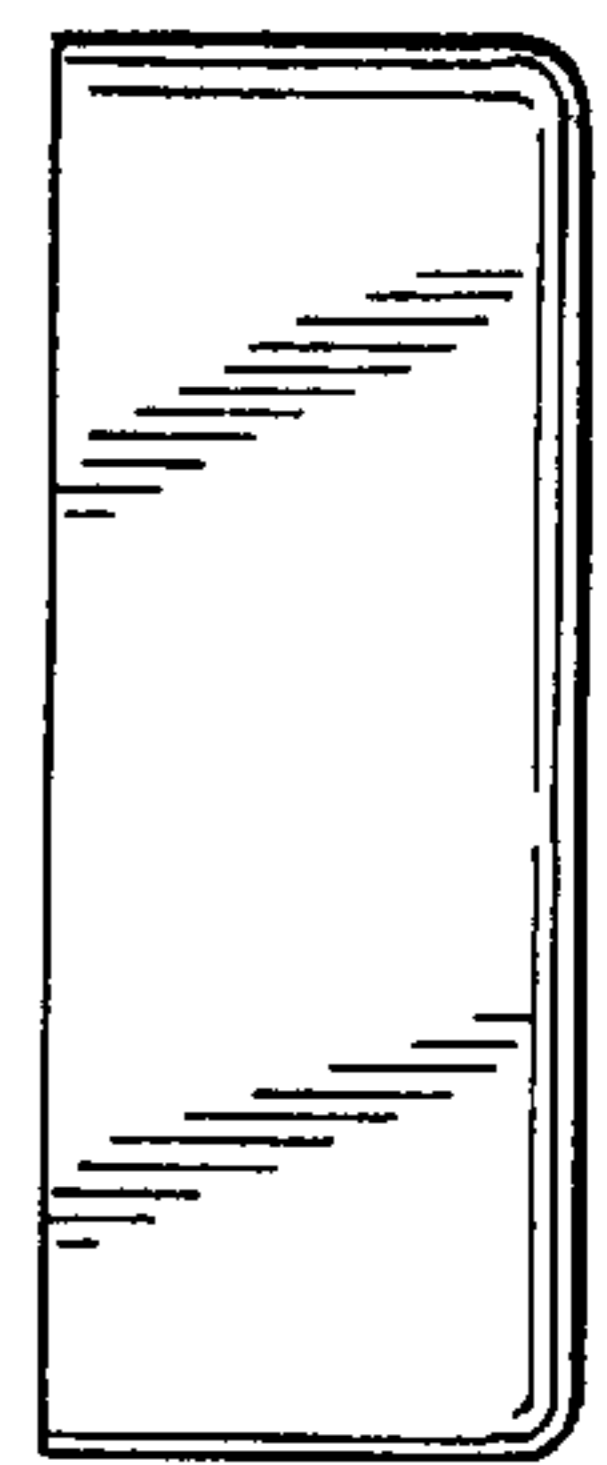


FIG. 5