



US00D398410S

# United States Patent [19]

[11] Patent Number: Des. 398,410

Fell et al.

[45] Date of Patent: \*\*Sep. 15, 1998

## [54] COMBINED FLASHLIGHT AND MOUNT FOR A HANDGUN

[76] Inventors: **Mark Kevin Fell**, 1070 Big Horn Cir. NW.; **Michael Jon Squillante**, 1353 Unter Ave. NW., both of Palm Bay, Fla. 32907

[\*\*] Term: **14 Years**

[21] Appl. No.: **39,725**

[22] Filed: **Jun. 5, 1995**

[51] LOC (6) Cl. .... **26-02**

[52] U.S. Cl. .... **D26/38**

[58] Field of Search ..... D26/37, 38, 46, D26/138; 42/103; 362/109-114, 202, 205; D22/110

## [56] References Cited

### U.S. PATENT DOCUMENTS

|            |         |                          |           |
|------------|---------|--------------------------|-----------|
| D. 309,255 | 7/1990  | Karow, Jr. ....          | D26/138 X |
| D. 335,718 | 5/1993  | Maglica et al. ....      | D26/138   |
| D. 357,723 | 4/1995  | Eddleman ....            | D22/110   |
| D. 360,250 | 7/1995  | Coste ....               | D22/110   |
| 5,040,322  | 8/1991  | Iturrey, Jr. ....        | 42/103    |
| 5,167,446  | 12/1992 | Haroutunian ....         | 362/110   |
| 5,430,967  | 7/1995  | Woodman, III et al. .... | 42/103    |
| 5,560,703  | 10/1996 | Capps ....               | 362/110   |

Primary Examiner—Alan P. Douglas  
Assistant Examiner—Lavone D. Tabor

## [57] CLAIM

The ornamental design for a combined flashlight and mount for a handgun, as shown and described.

## DESCRIPTION

FIG. 1 is an exploded top, front, right side perspective view of a combined flashlight and mount for a handgun showing a first form of our new design;

FIG. 2 is a top, front, left side perspective view thereof;

FIG. 3 is a front elevation view thereof;

FIG. 4 is a rear elevation view thereof;

FIG. 5 is a bottom plan view thereof;

FIG. 6 is a top plan view thereof;

FIG. 7 is a right side elevation view thereof;

FIG. 8 is a left side elevation view thereof;

FIG. 9 is a top, rear, right side perspective view thereof;

FIG. 10 is a top, front, left side perspective view of another form of our combined flashlight and mount for a handgun;

FIG. 11 is a top, front, left side perspective view of still another form of our combined flashlight and mount for a handgun; and

FIG. 12 is a top, rear, right side perspective view of still another form of our combined flashlight and mount for a handgun;

FIG. 13 is rear perspective view of FIG. 10;

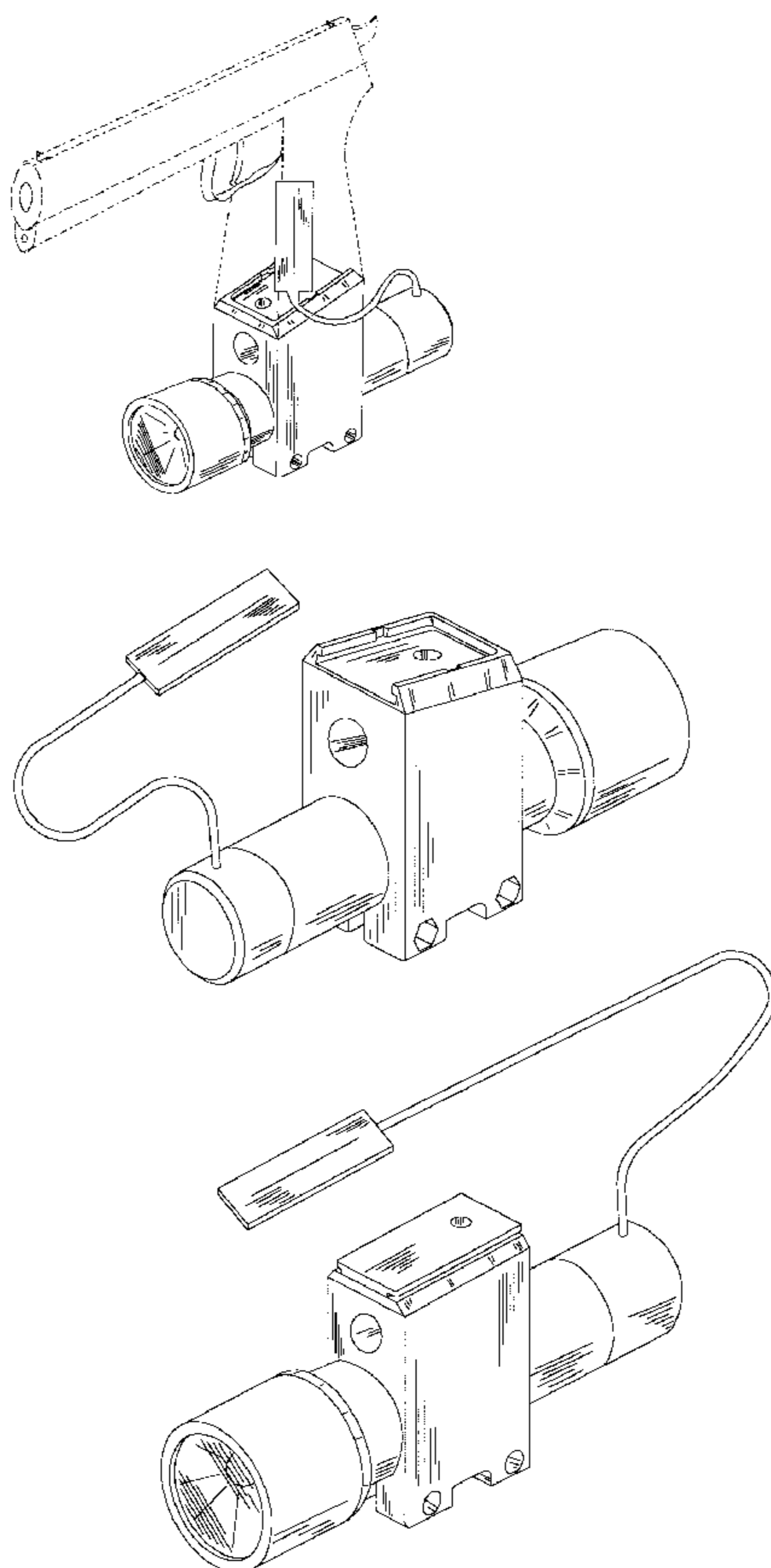
FIG. 14 is a bottom perspective view of FIG. 10;

FIG. 15 is a front perspective view of FIG. 12; and

FIG. 16 is a bottom perspective view of FIG. 12.

The gun is shown in broken lines in FIG. 2 for illustrative purposes only and forms no part of the claimed design.

1 Claim, 7 Drawing Sheets



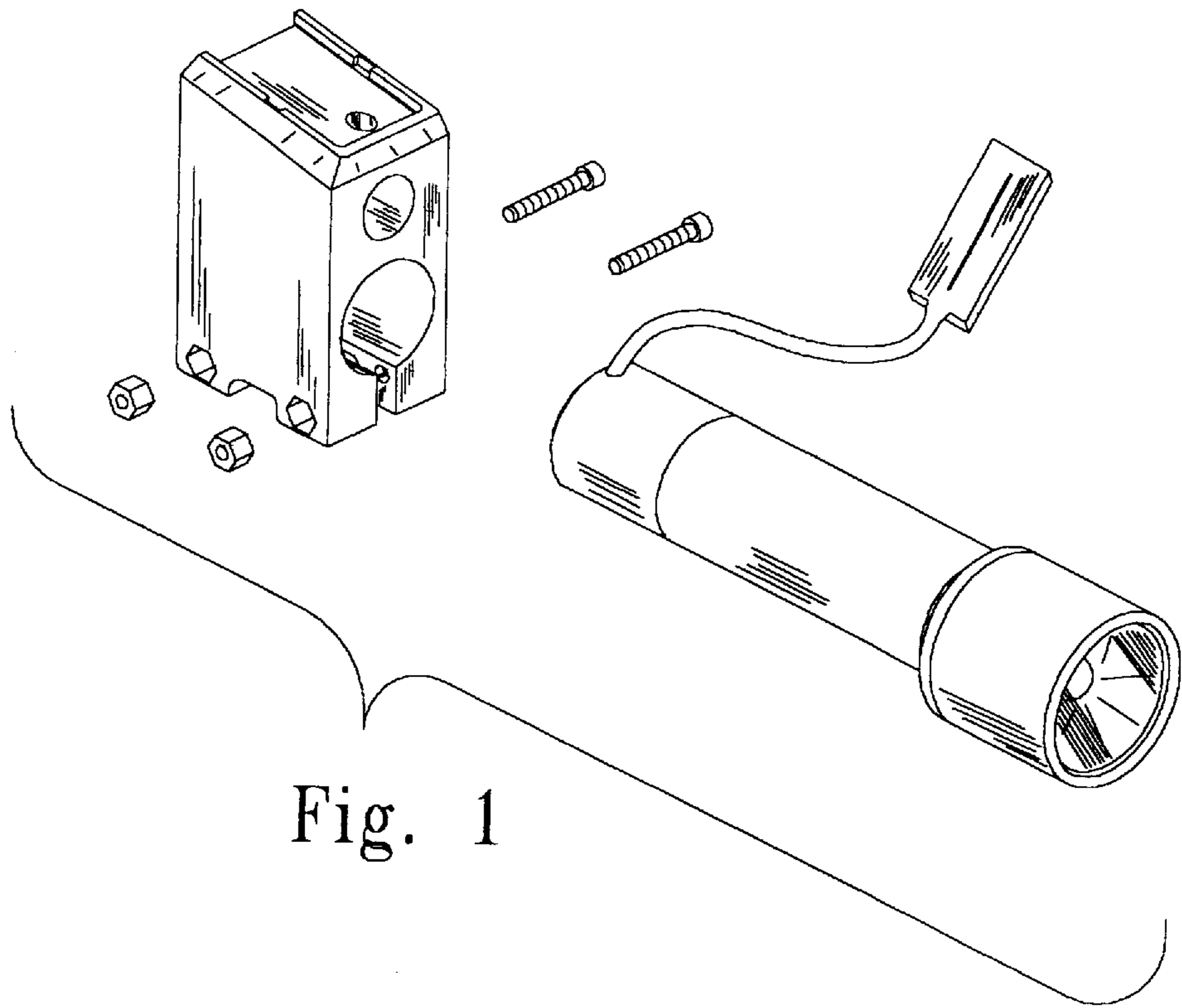


Fig. 1

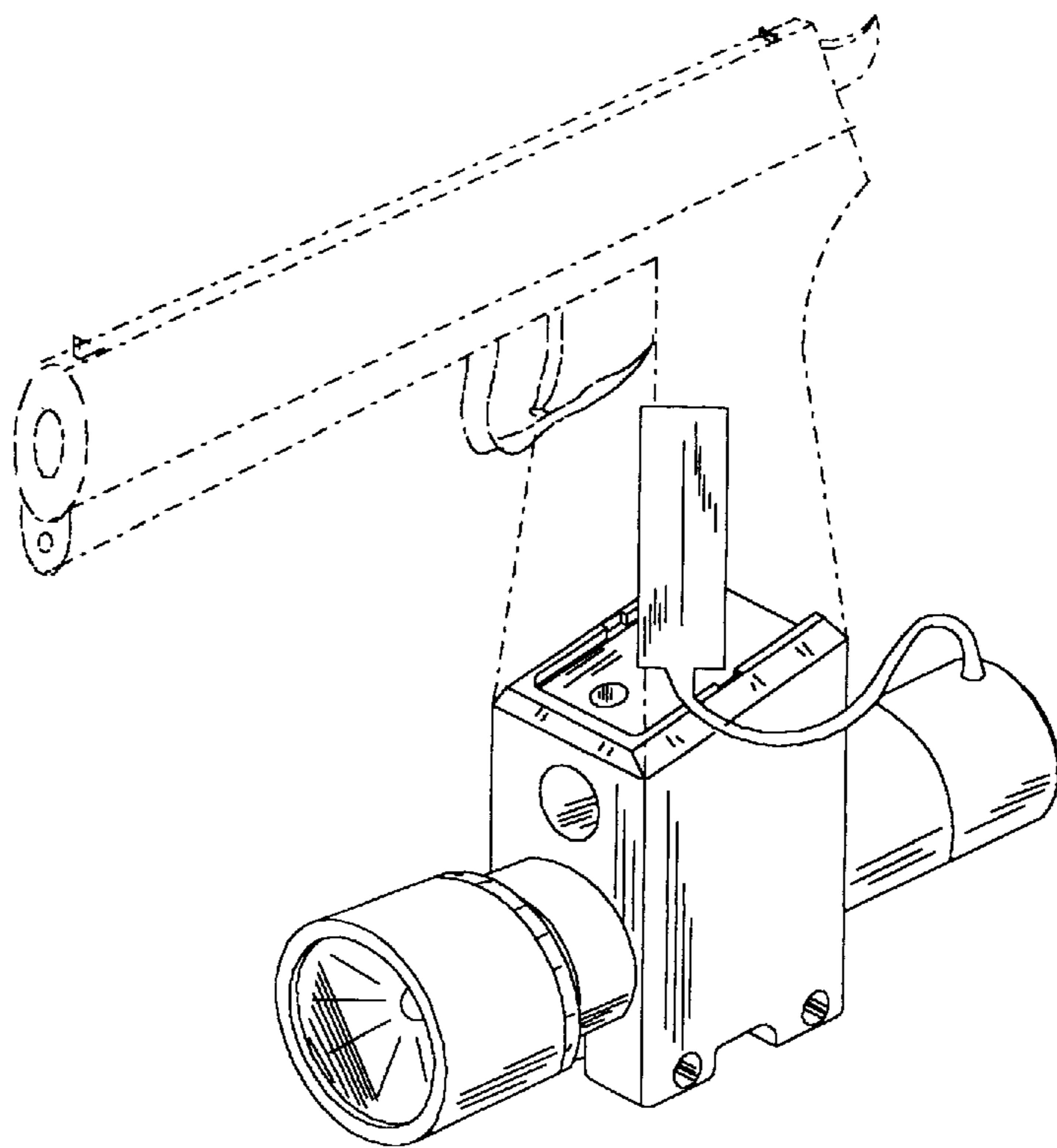


Fig. 2

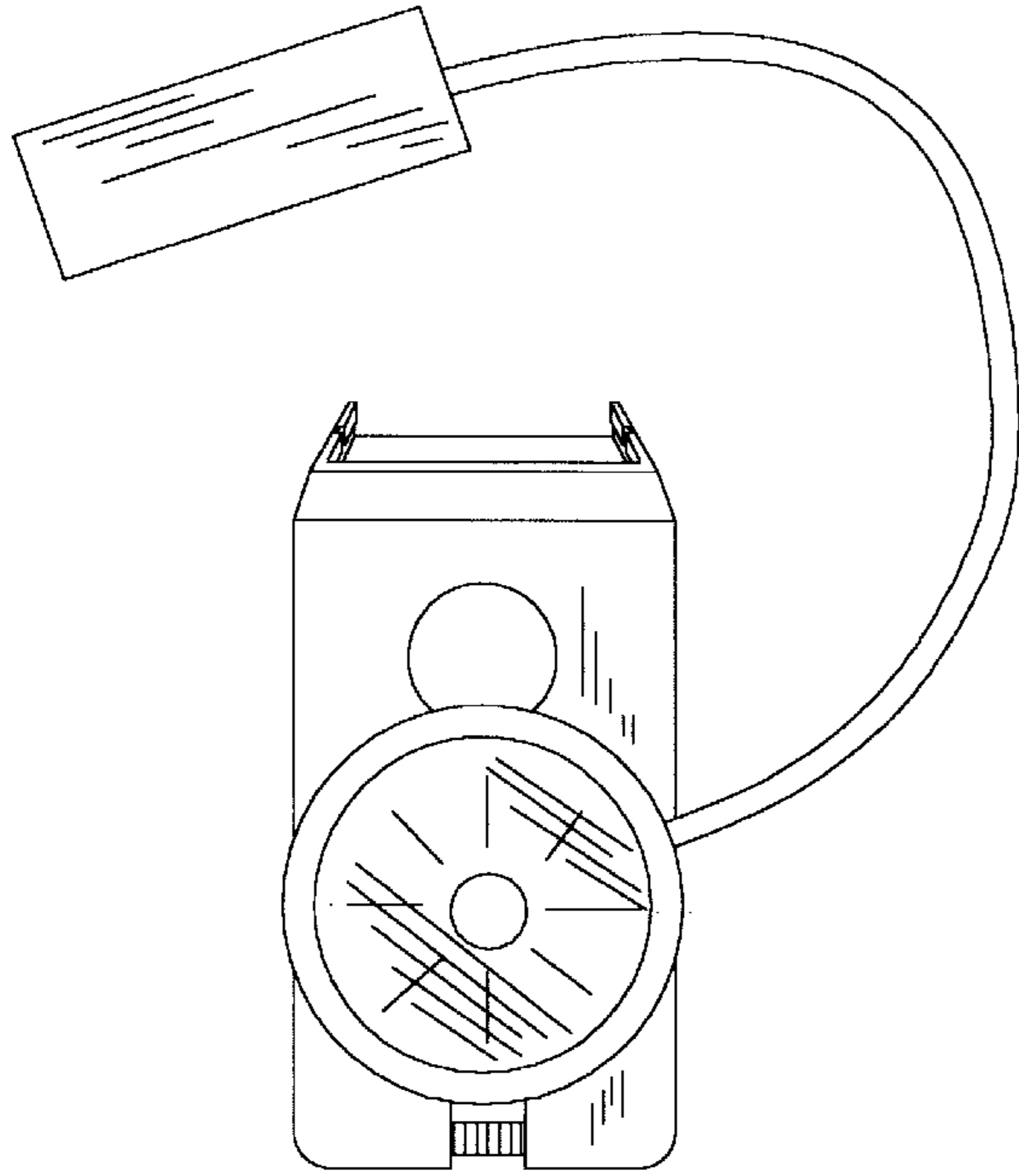


Fig. 3

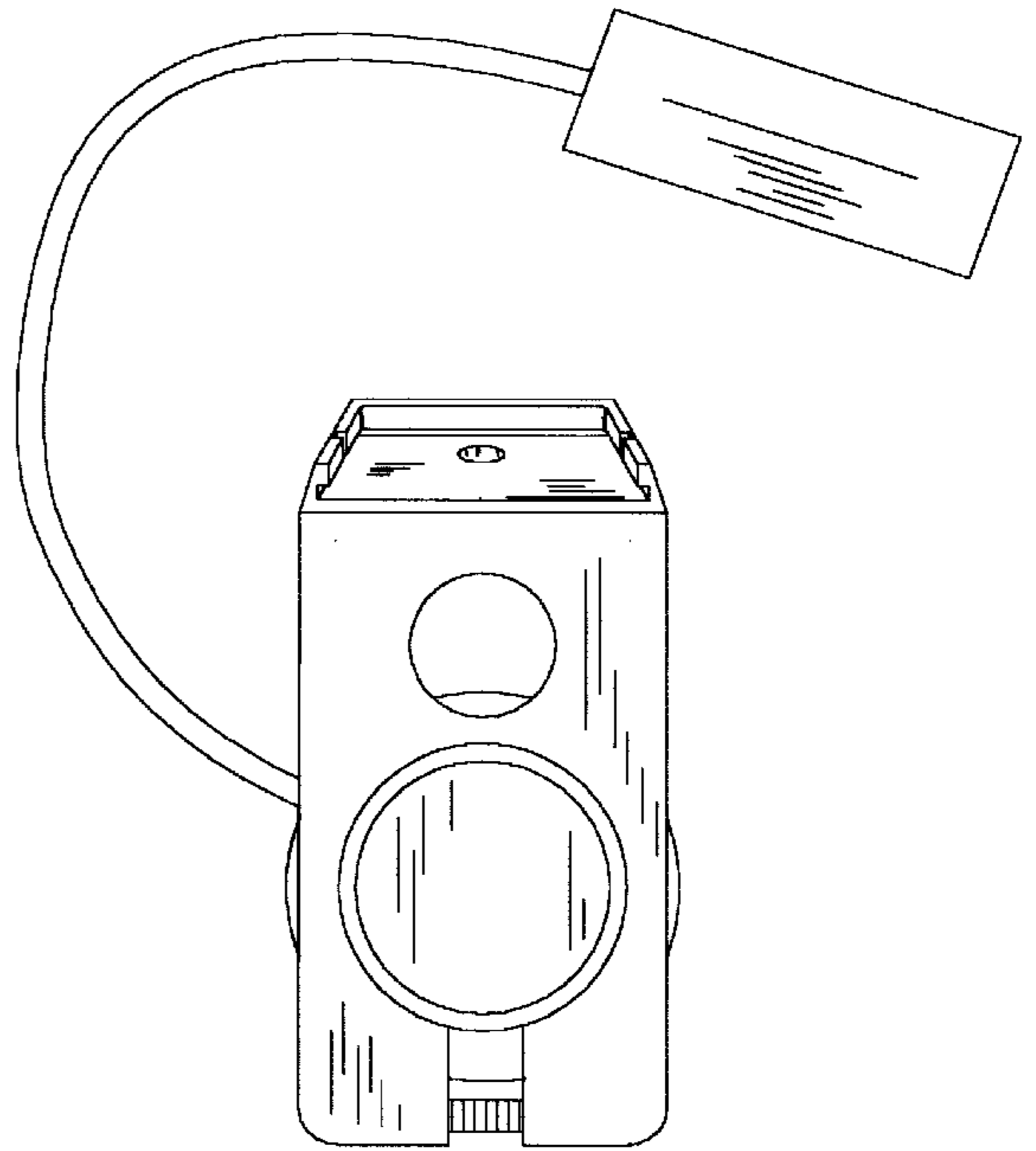


Fig. 4

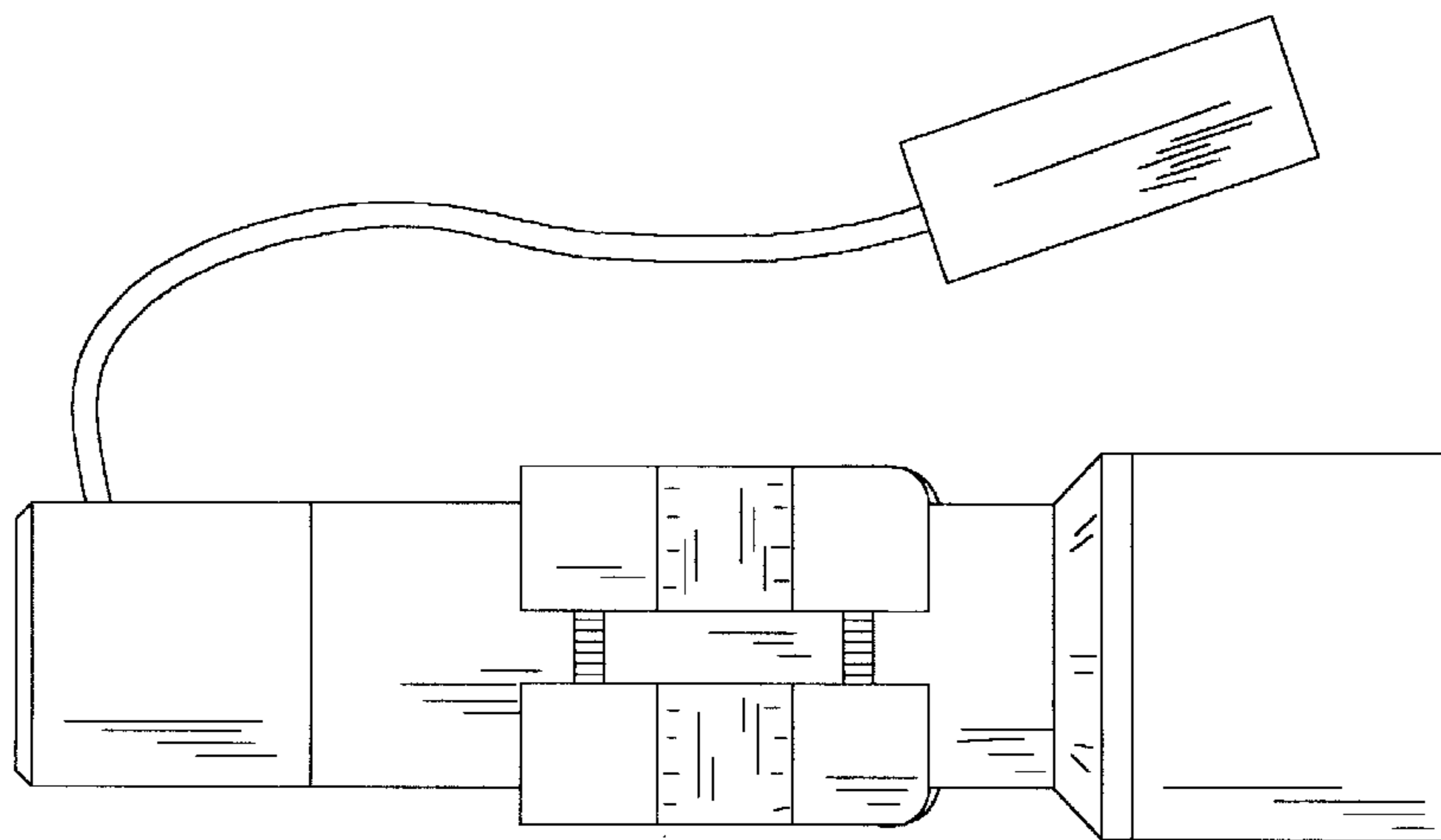


Fig. 5

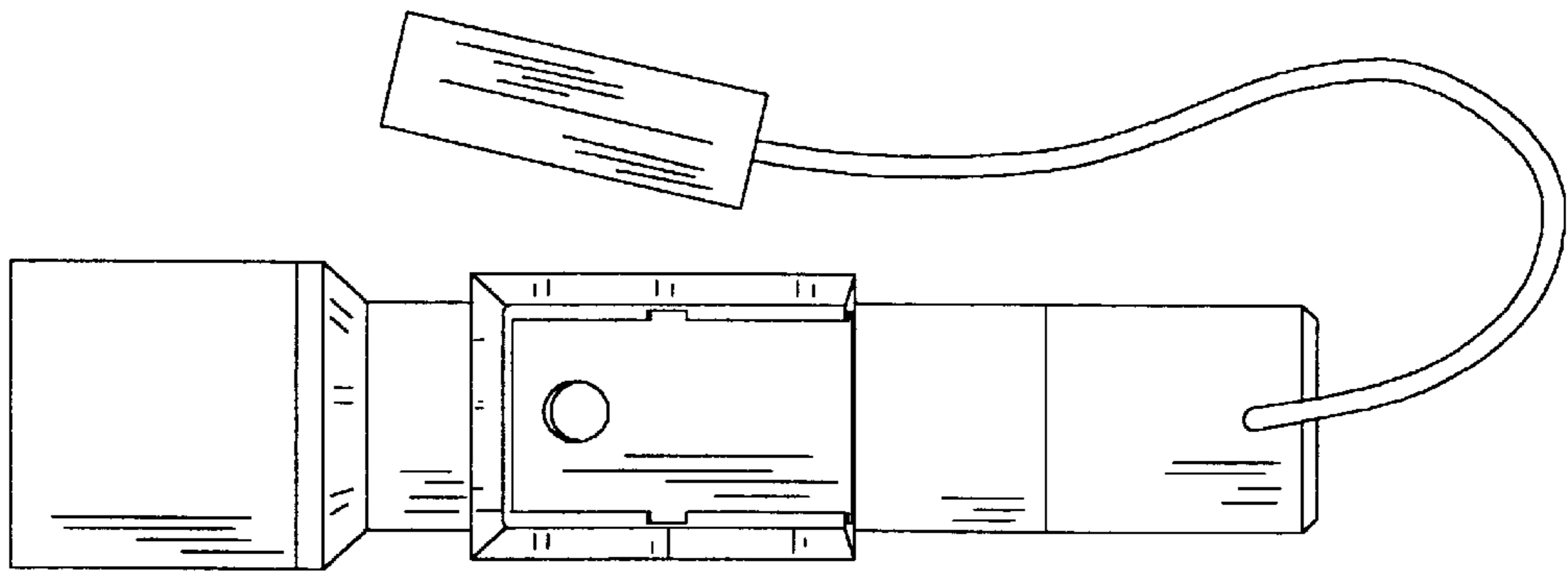


Fig. 6

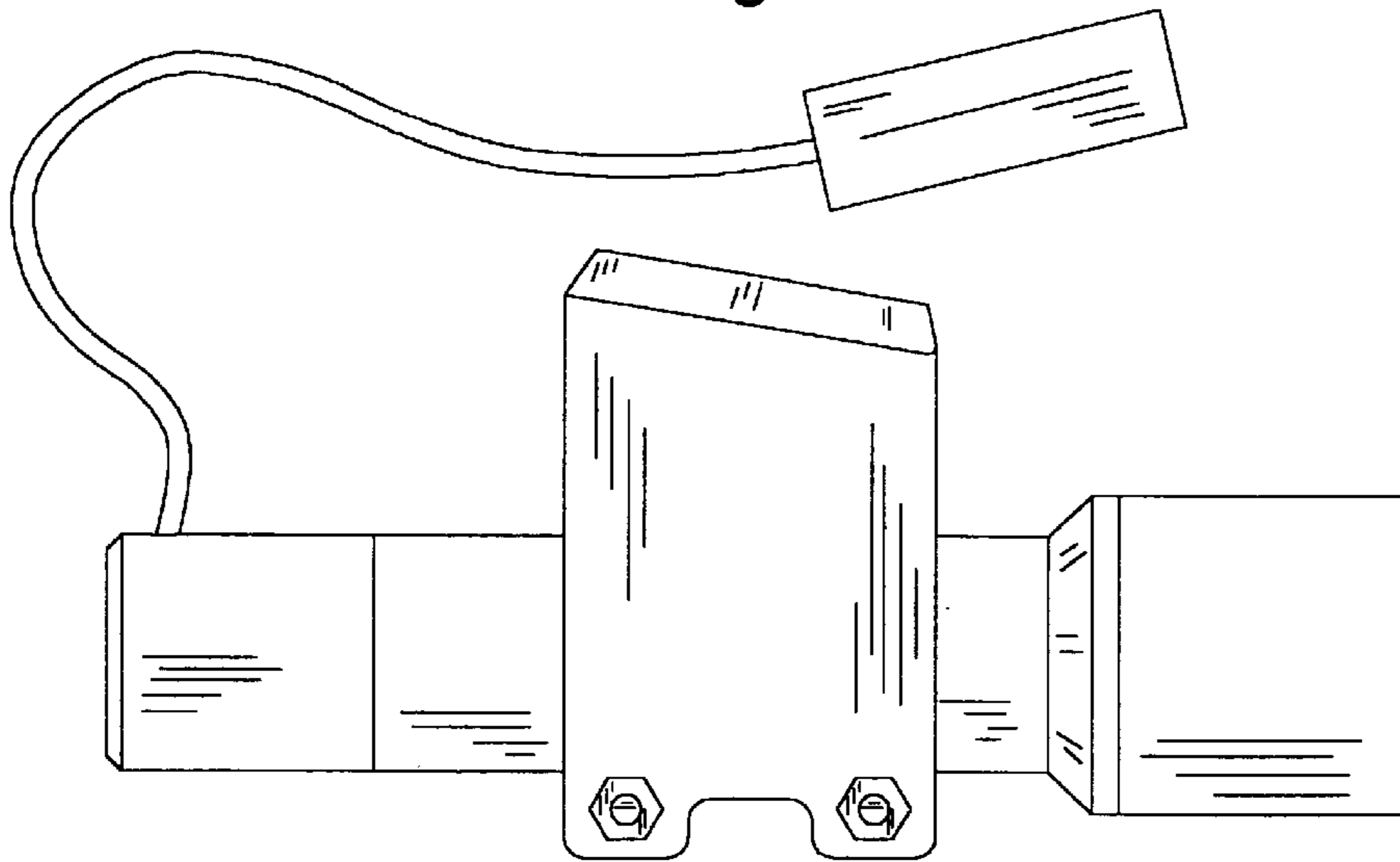


Fig. 7

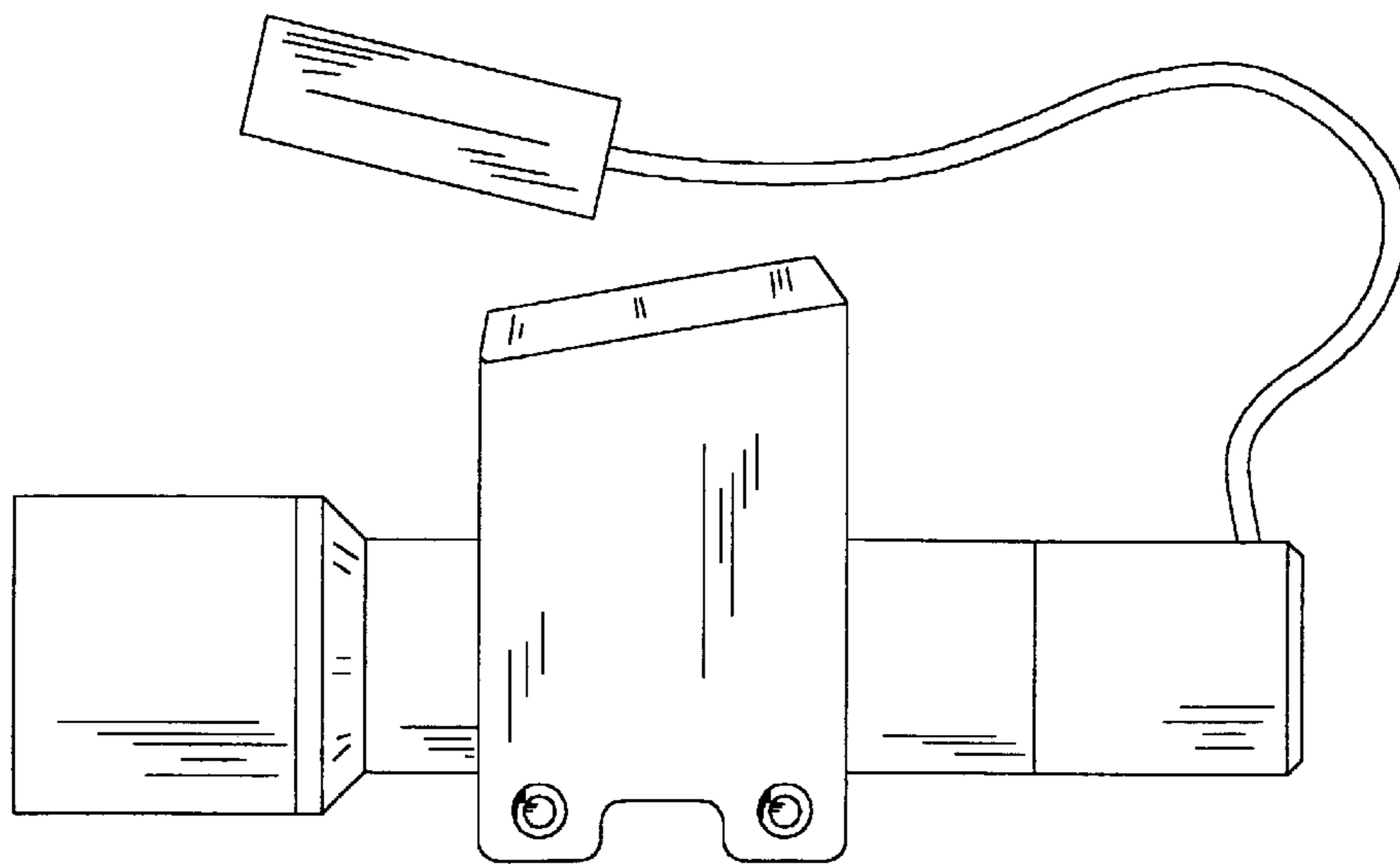


Fig. 8

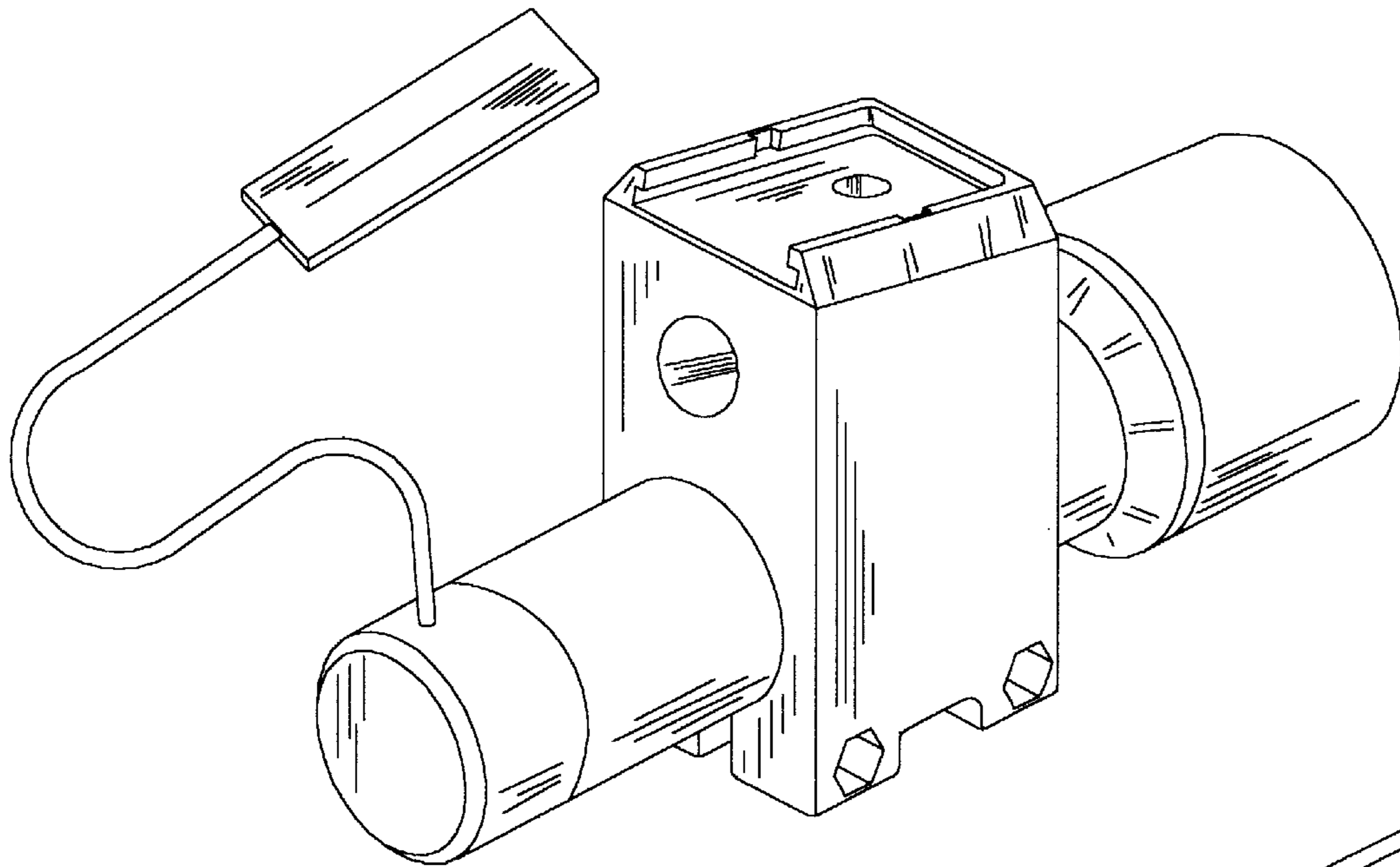


Fig. 9

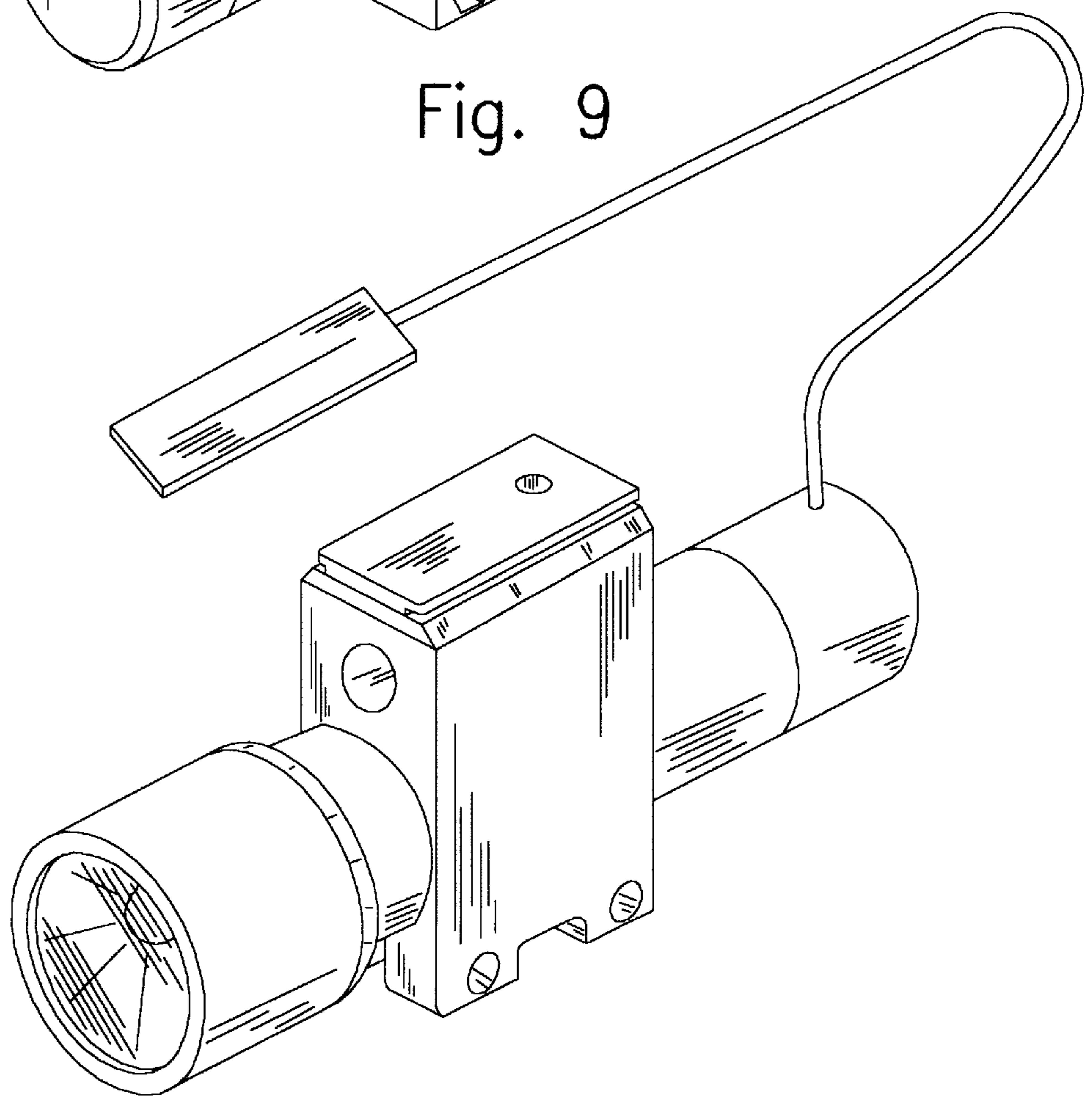


Fig. 10

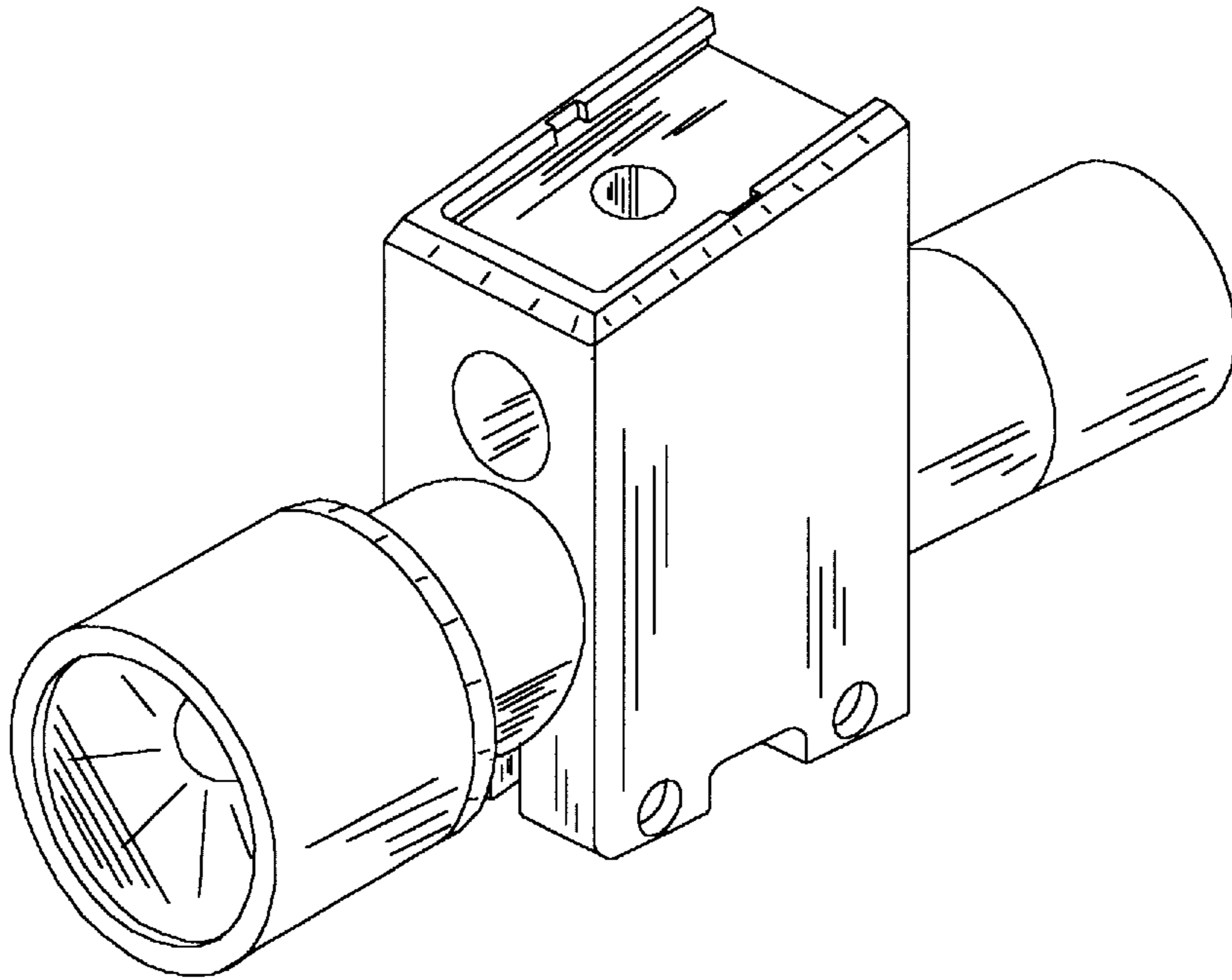


Fig. 11

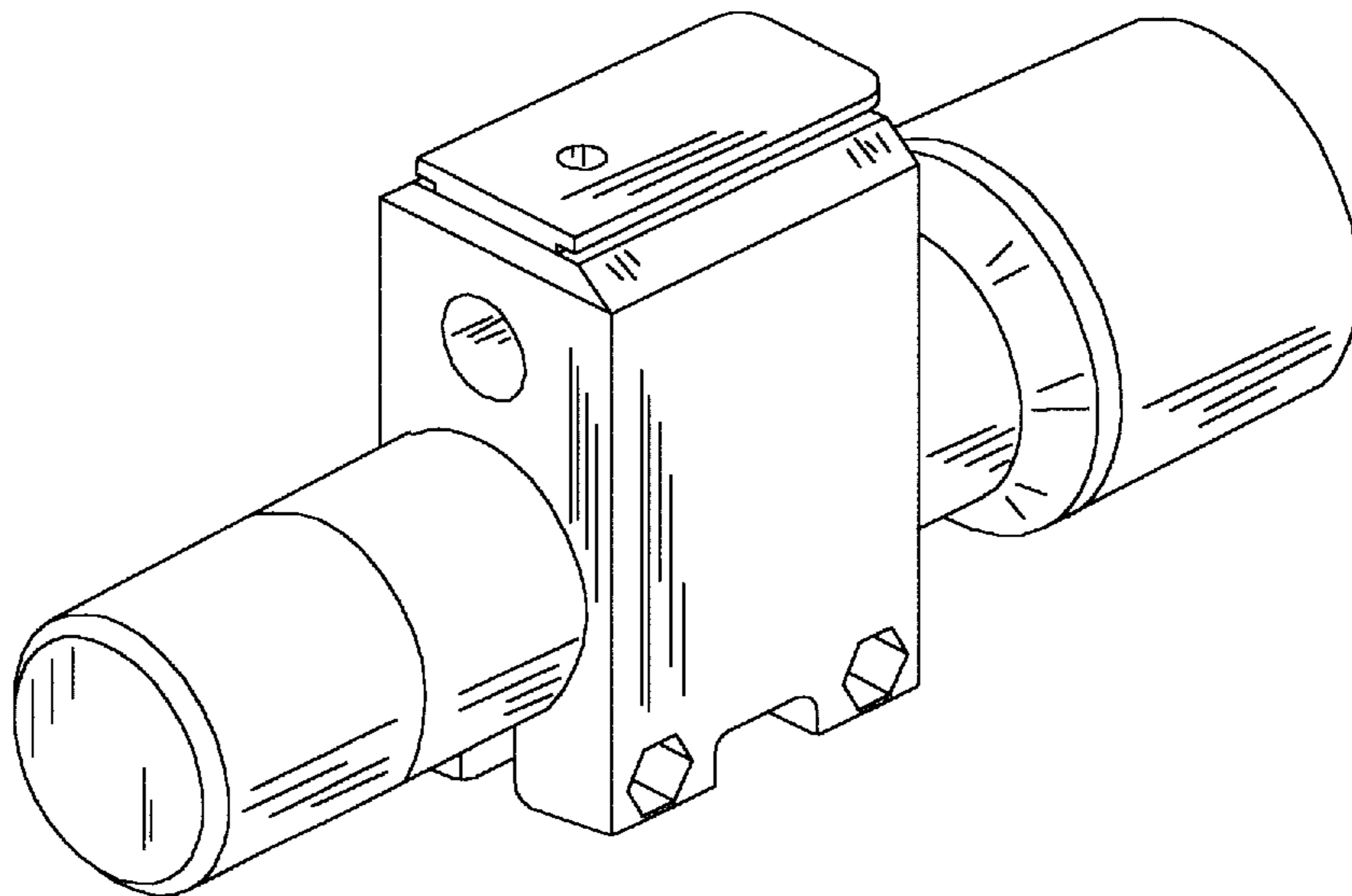


Fig. 12

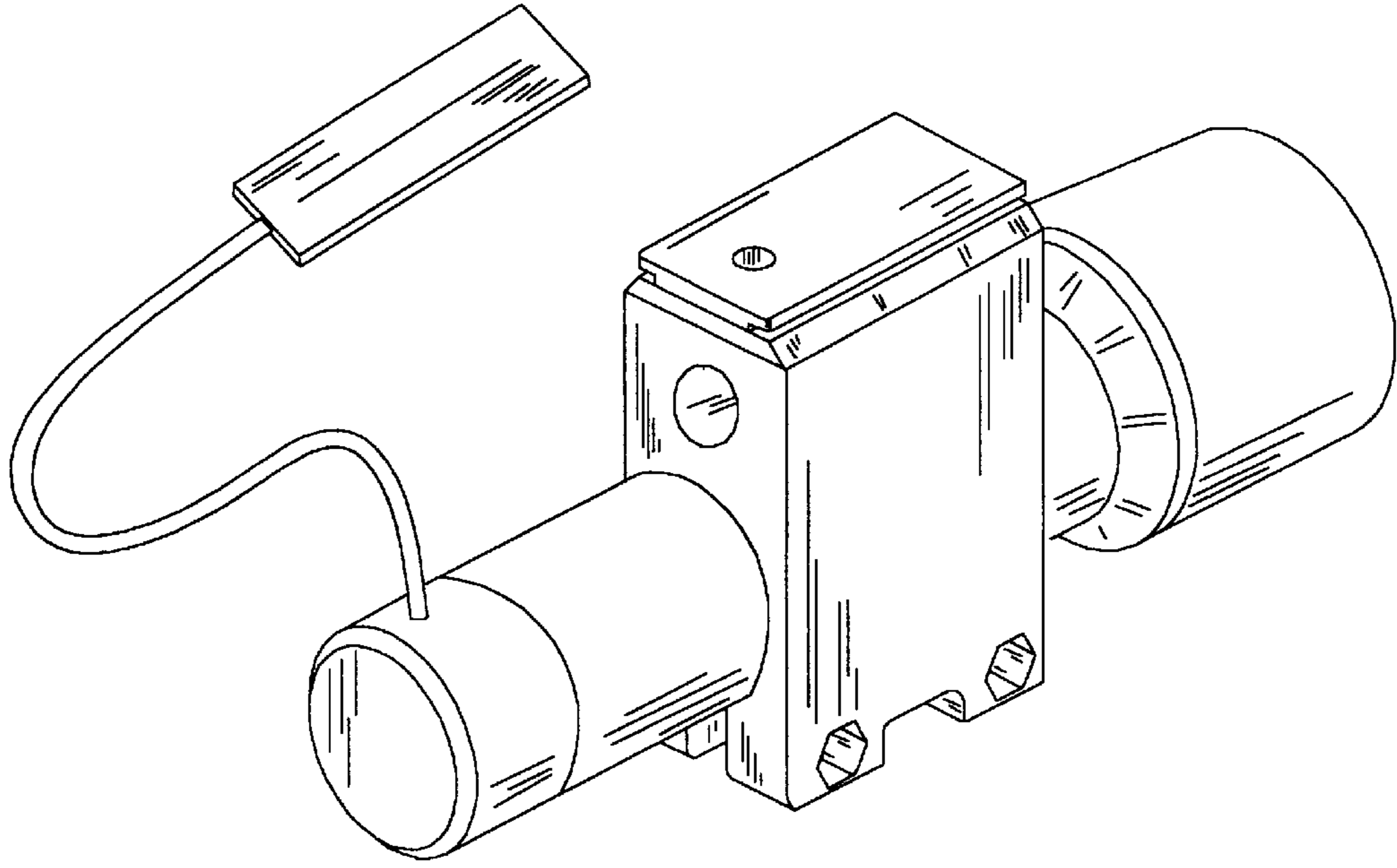


Fig. 13

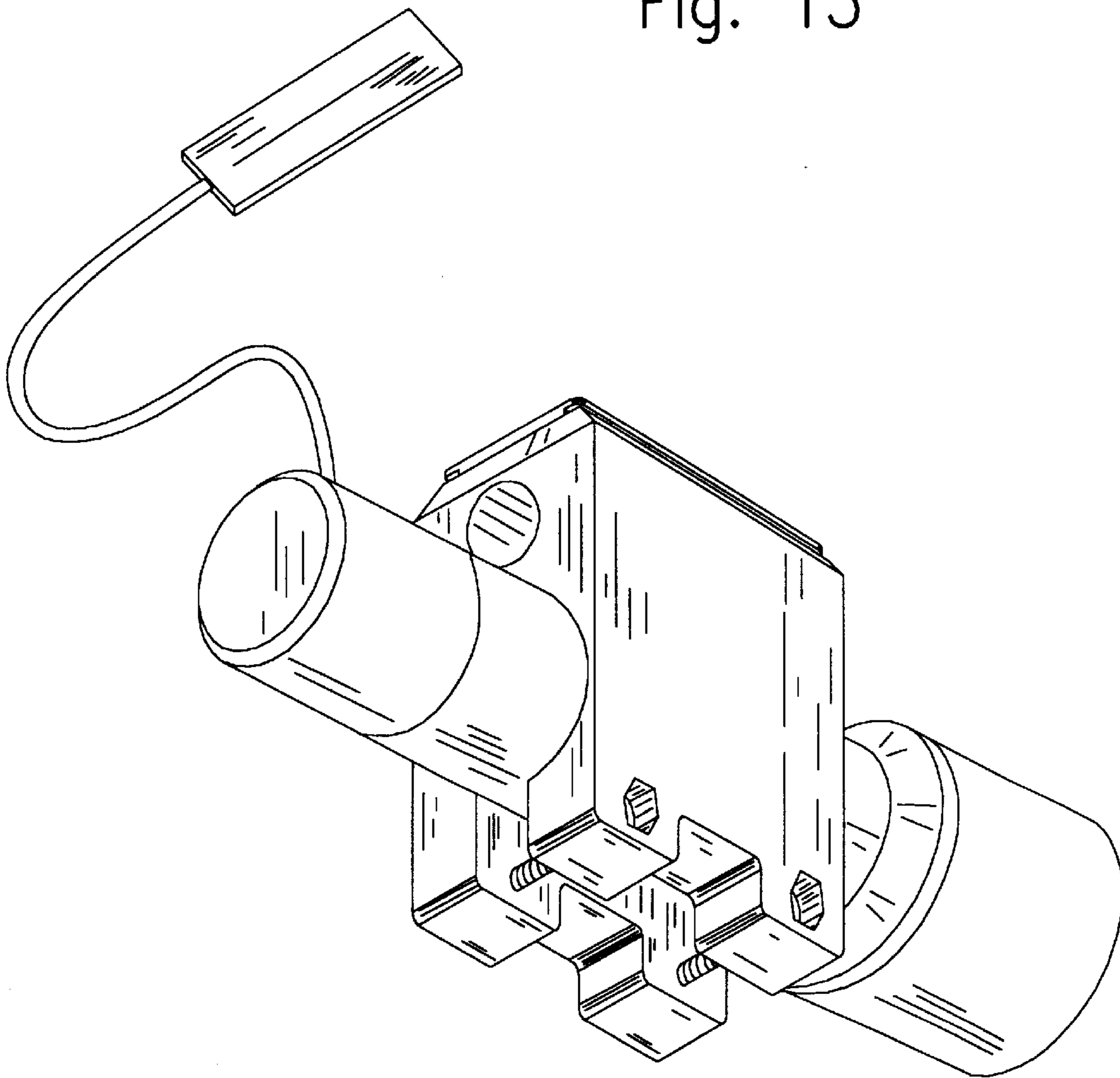


Fig. 14

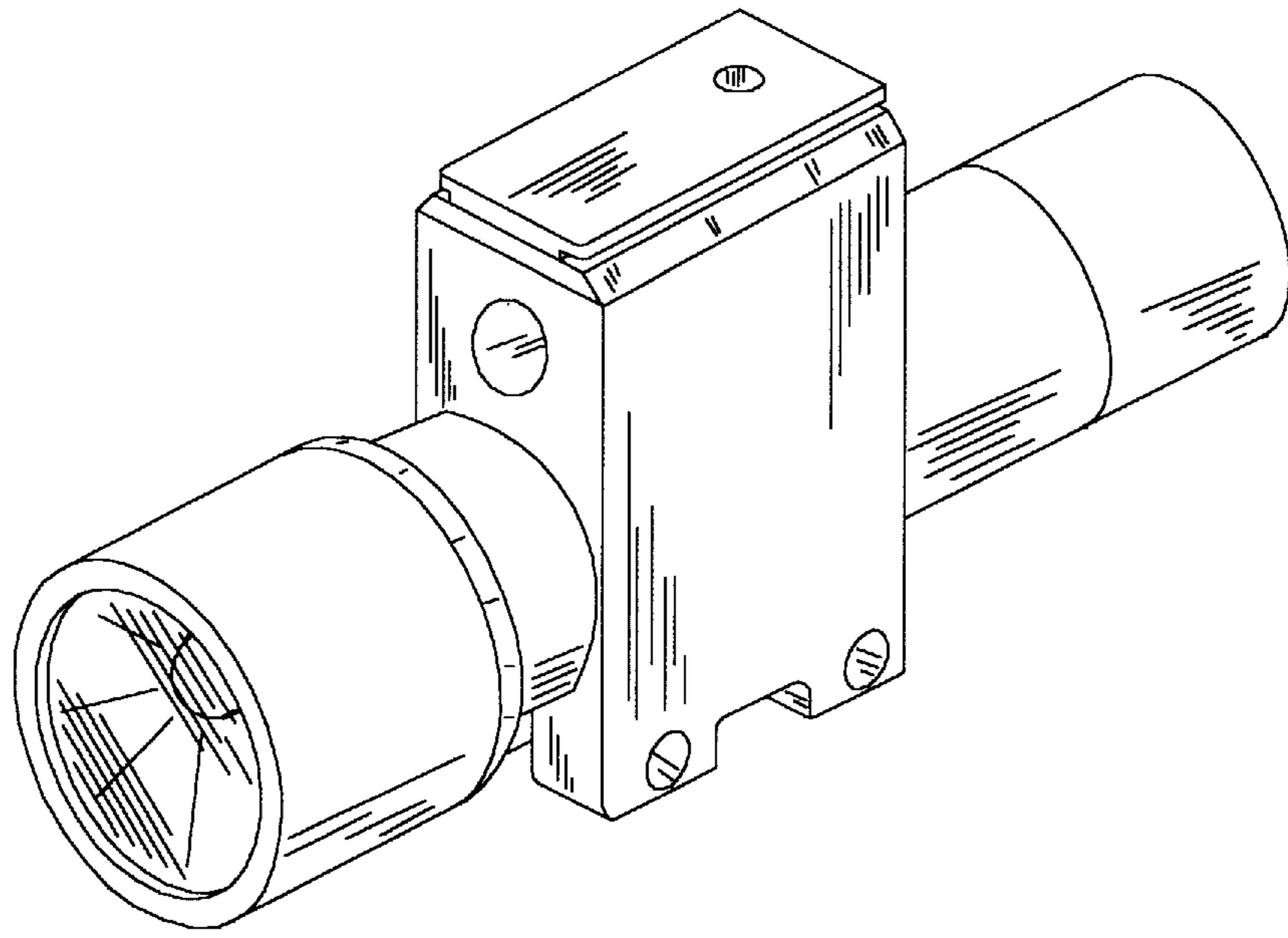


Fig. 15

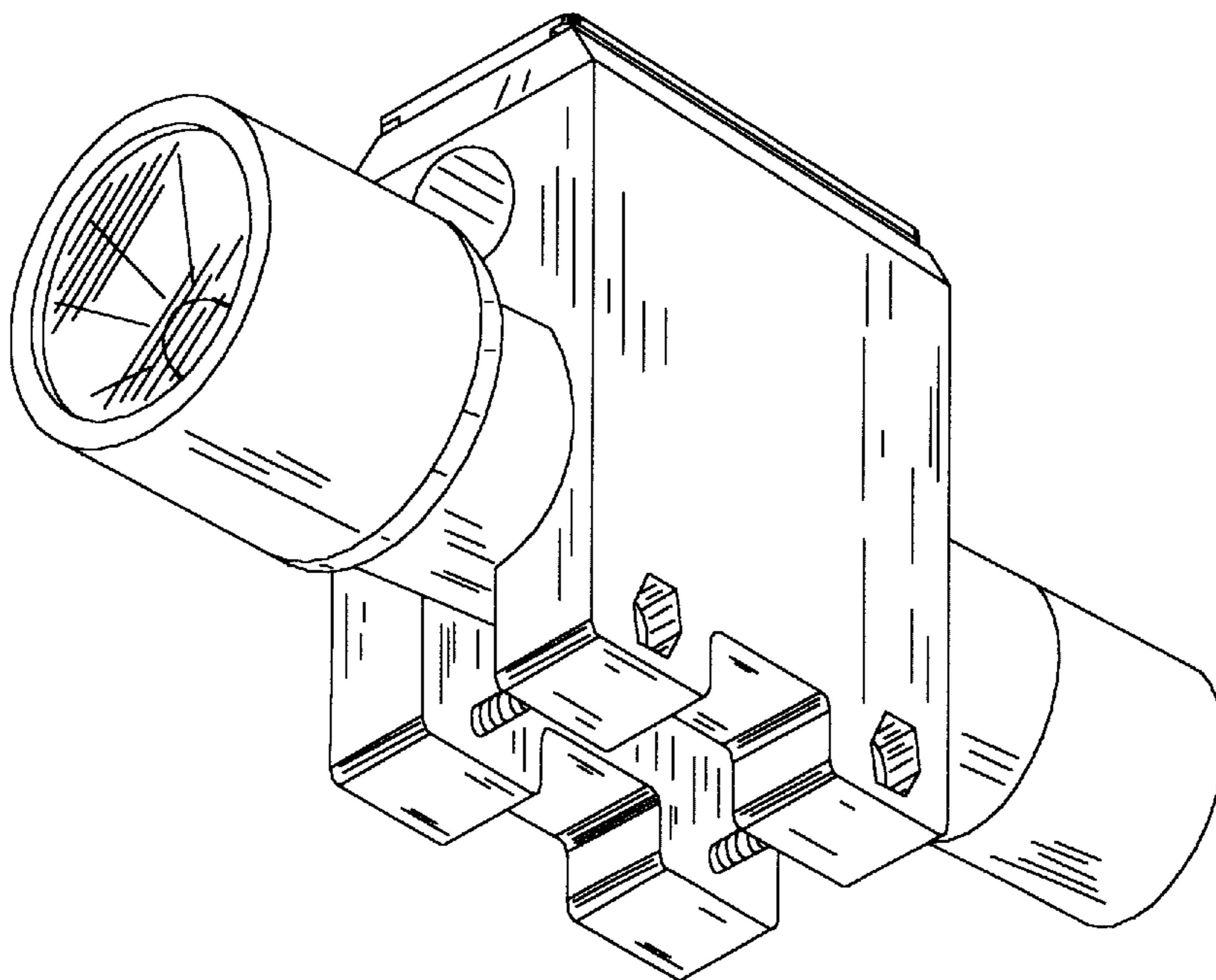


Fig. 16