



US00D398409S

United States Patent [19]

Jessa

[11] **Patent Number: Des. 398,409**

[45] **Date of Patent: **Sep. 15, 1998**

[54] **ILLUMINATED CAB SIGN**

3,153,294 10/1964 Hay et al. D20/10
3,290,813 12/1966 Rose, Sr. D20/10

[76] Inventor: **Anis Jessa**, 24245 Fern Crescent,
Maple Ridge, Canada, V2X 7E7

Primary Examiner—Marcus A. Jackson

[**] Term: **14 Years**

[57] **CLAIM**

[21] Appl. No.: **69,060**

The ornamental design for an illuminated cab sign, as shown and described.

[22] Filed: **Mar. 19, 1997**

DESCRIPTION

[51] **LOC (6) Cl.** **26-06**

[52] **U.S. Cl.** **D26/31; D20/10**

[58] **Field of Search** D20/10, 35, 40,
D20/41, 42; D26/30, 31, 32; 40/584, 591,
592, 593, 617, 618, 624

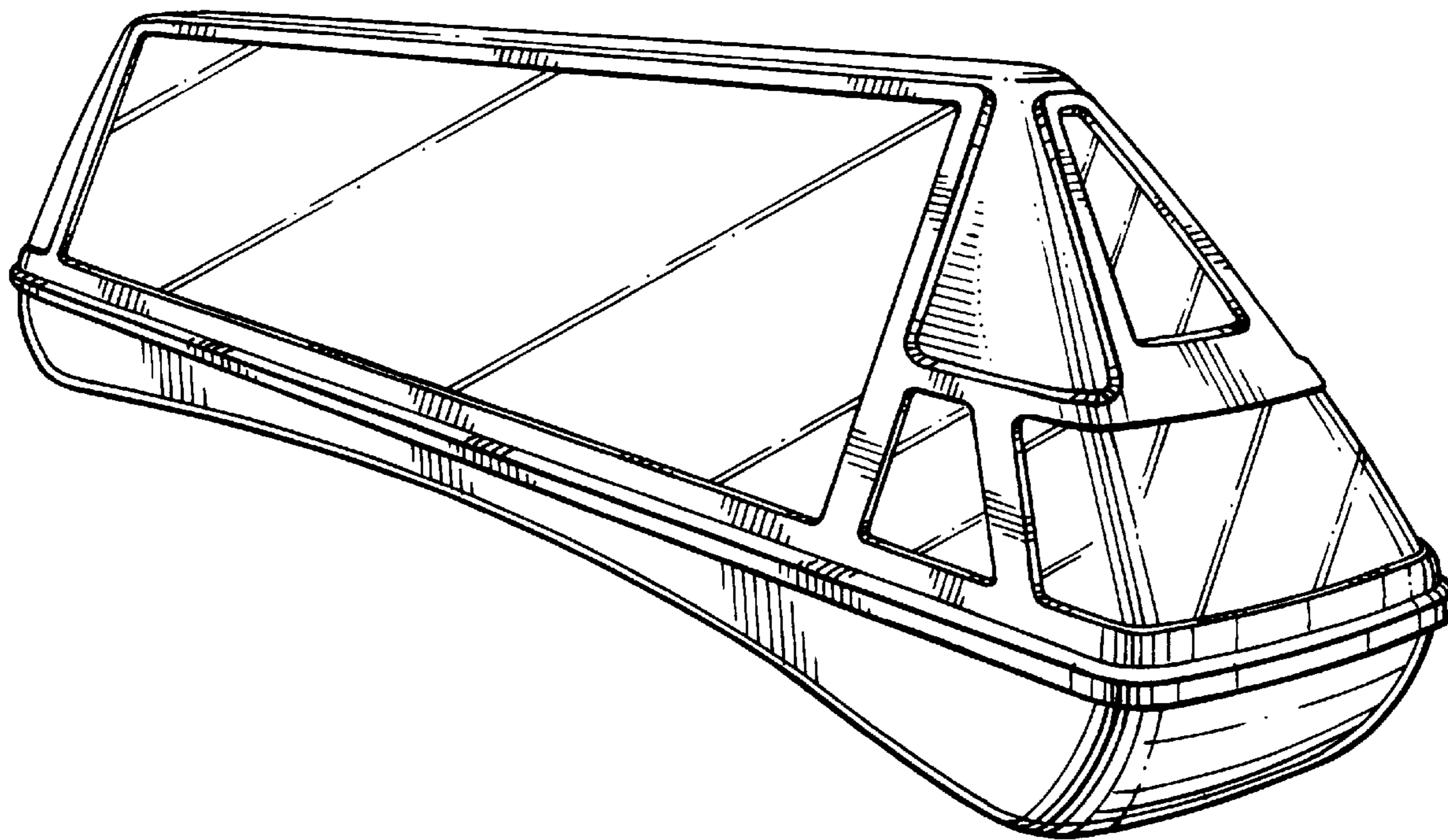
FIG. 1 is a front perspective view thereof;
FIG. 2 is a top plan view thereof;
FIG. 3 is side elevation view thereof;
FIG. 4 is a bottom plan view thereof;
FIG. 5 is back elevation view thereof;
FIG. 6 is a front elevation view thereof; and,
FIG. 7 is a side elevational view of a second embodiment thereof, wherein the only difference resides in the display panels at the bottom portion.

[56] **References Cited**

U.S. PATENT DOCUMENTS

- D. 225,726 1/1973 Zeuthesser D26/31
- D. 327,333 6/1992 Elmer D26/31
- D. 328,143 7/1992 Elmer D26/31

1 Claim, 3 Drawing Sheets



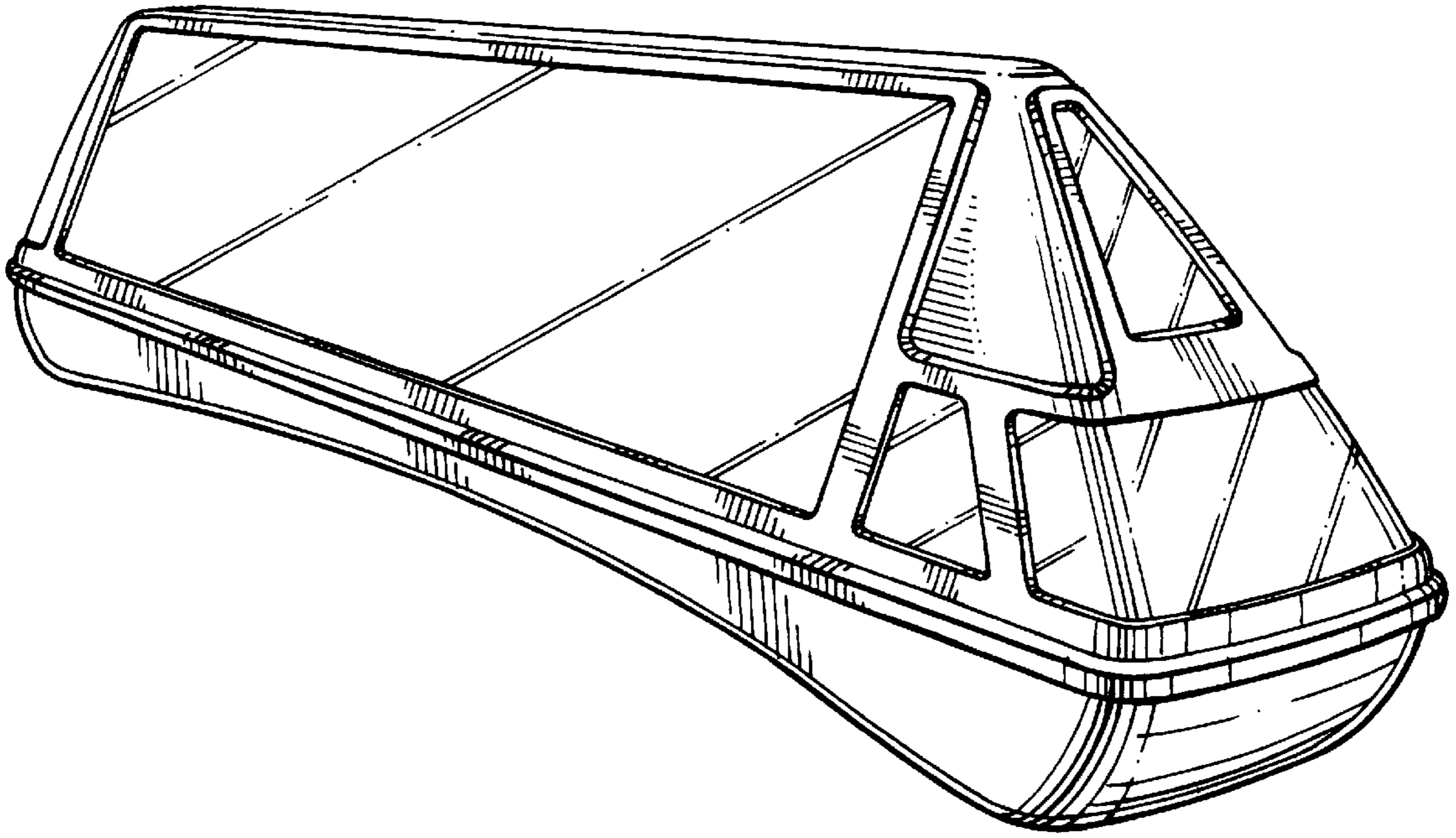


FIG. 1

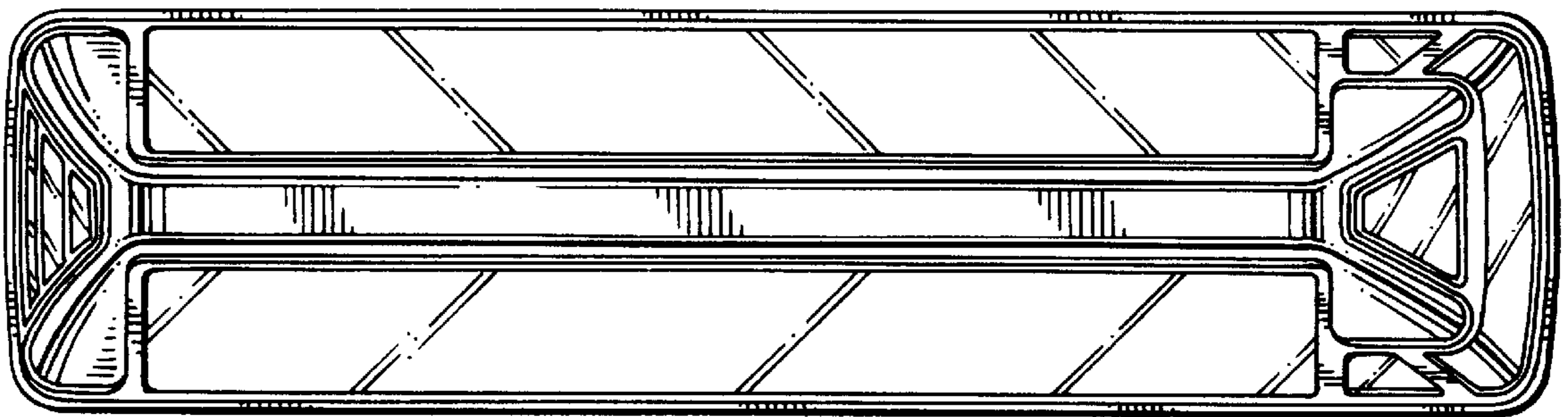


FIG. 2

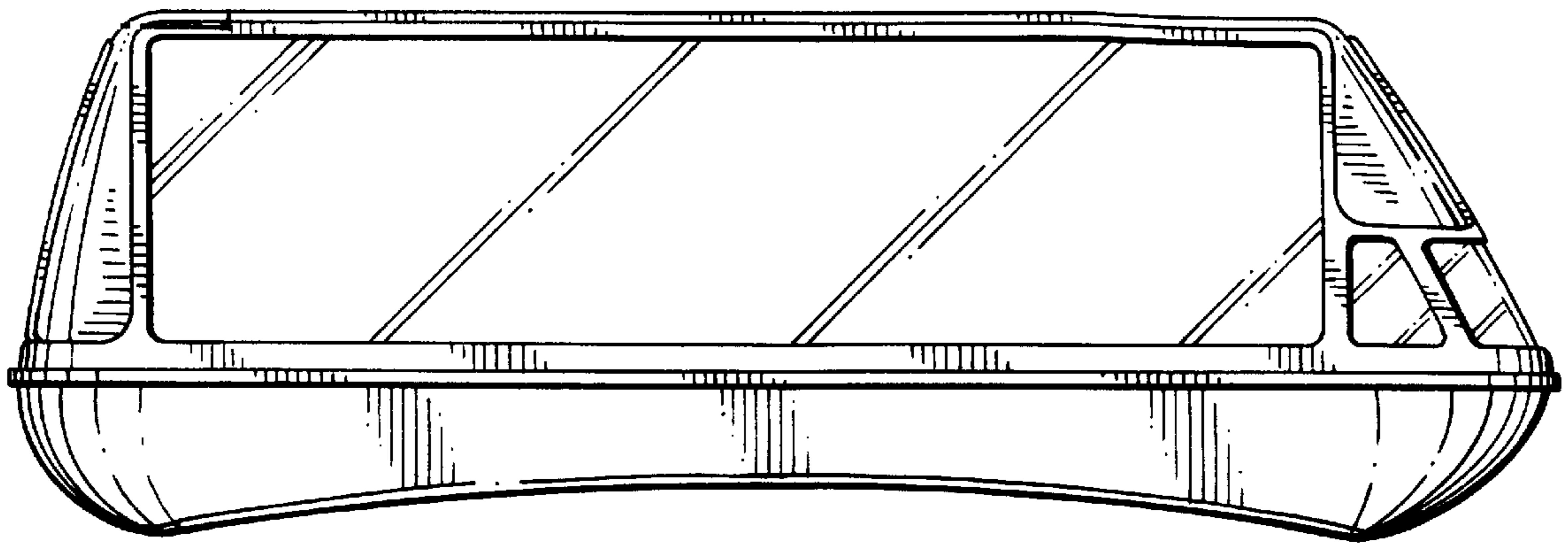


FIG. 3

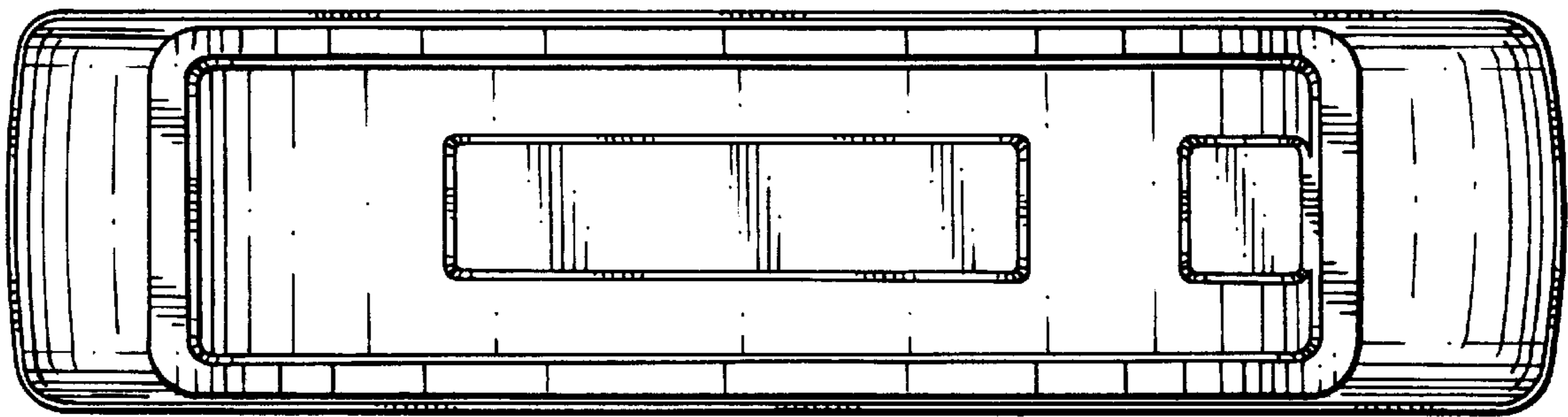


FIG. 4

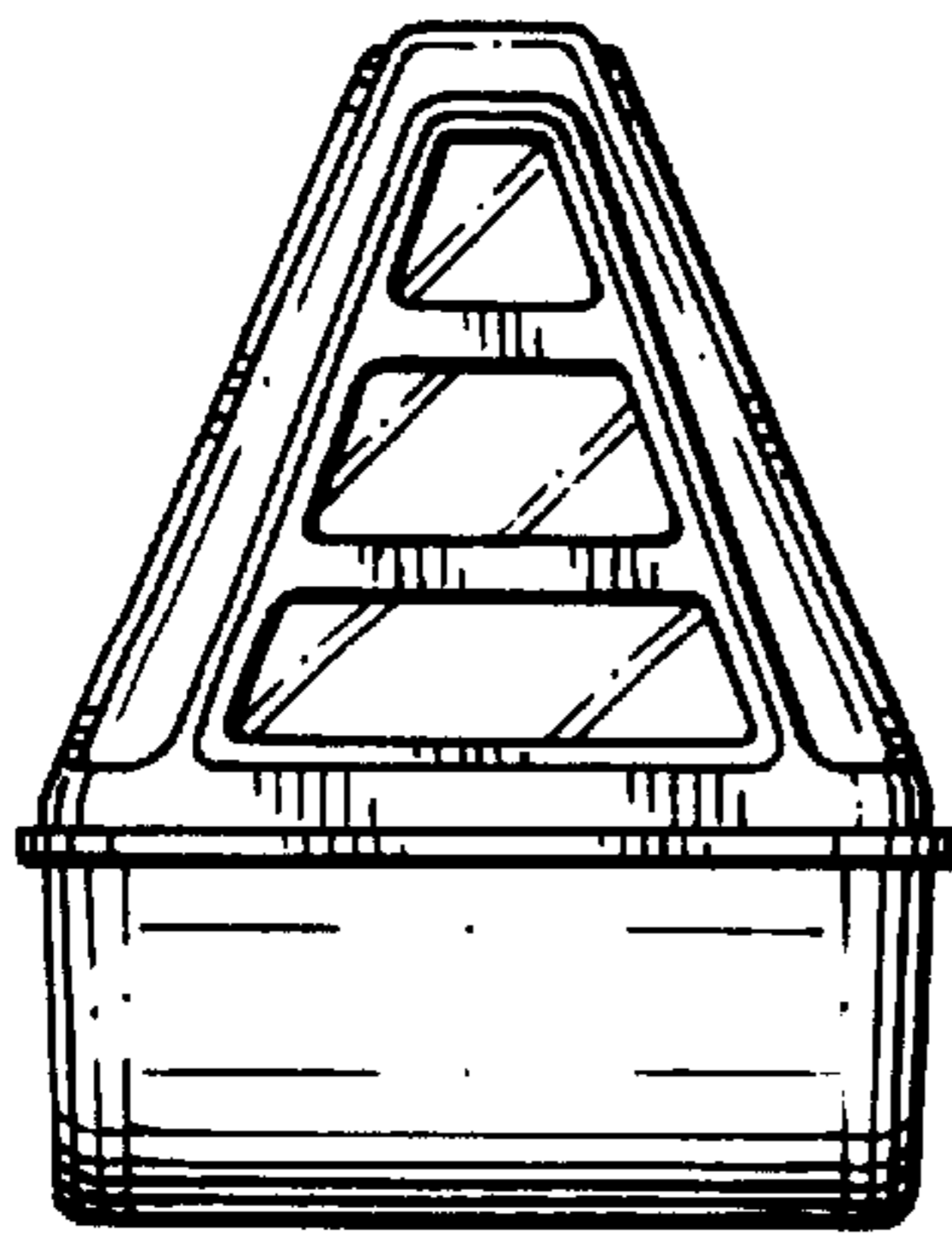


FIG. 5

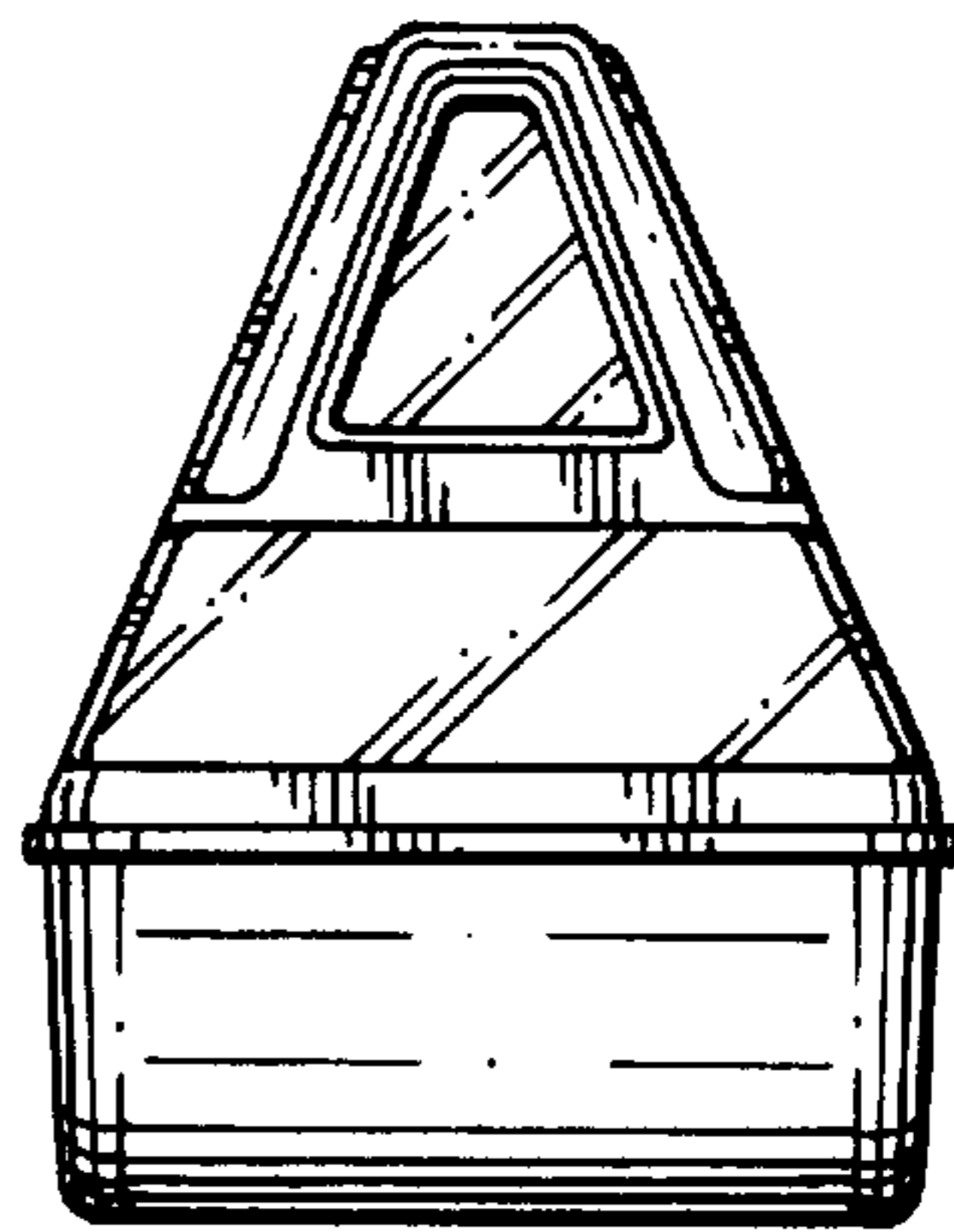


FIG. 6

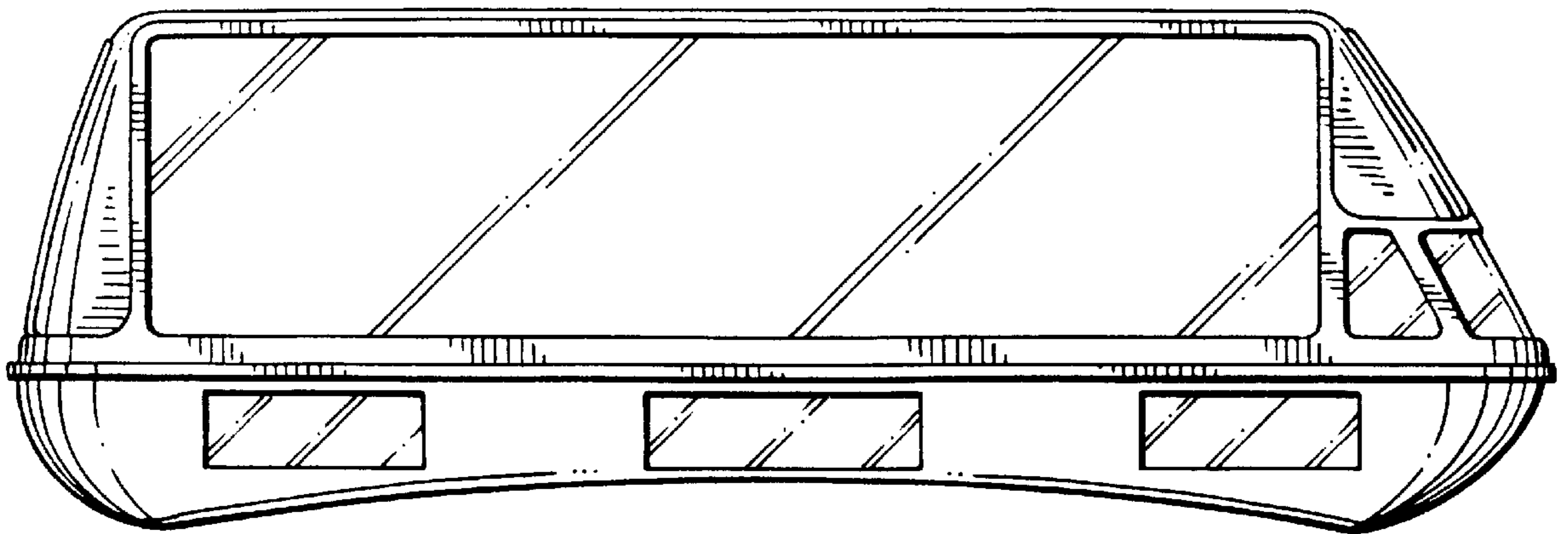


FIG. 7