



US00D398405S

United States Patent [19]

Beard, Jr.

[11] Patent Number: **Des. 398,405**

[45] Date of Patent: *****Sep. 15, 1998**

[54] **ROUNDED CORNER SUPPORT**

[76] Inventor: **Harold W. Beard, Jr.**, P.O. Box 5485, Carefree, Ariz. 85377

[*] Notice: The term of this patent shall not extend beyond the expiration date of Pat. No. D. 349,166.

[**] Term: **14 Years**

[21] Appl. No.: **44,701**

[22] Filed: **Sep. 29, 1995**

[51] LOC (6) Cl. **25-01**

[52] U.S. Cl. **D25/102**

[58] Field of Search D25/102; 52/246, 52/264, 280, 288; 248/220.1

[56] **References Cited**

U.S. PATENT DOCUMENTS

- D. 175,229 7/1955 Neufeld D54/2
- D. 322,324 12/1991 Wolff et al. D25/102

- D. 349,166 7/1994 Beard, Jr. D25/102
- 2,041,899 5/1936 Brand 20/74
- 2,069,289 2/1937 Swendsen et al. 20/6
- 2,208,227 7/1940 Page 189/36
- 3,101,184 8/1963 Allen et al. 248/222
- 3,603,054 9/1971 Didry 52/282
- 4,037,376 7/1977 Baal-Taxa 312/257
- 4,640,491 2/1987 Grist et al. 249/219

Primary Examiner—Doris Clark
Attorney, Agent, or Firm—Snell & Wilmer, L.L.P.

[57] **CLAIM**

The ornamental design for a rounded corner support, as shown.

DESCRIPTION

FIG. 1 is a perspective view of the rounded corner support showing my new design;
FIG. 2 is a top plan view thereof;
FIG. 3 is a bottom plan view thereof;
FIG. 4 is a side elevational view thereof; and,
FIG. 5 is the opposite side elevational view thereof.

1 Claim, 2 Drawing Sheets

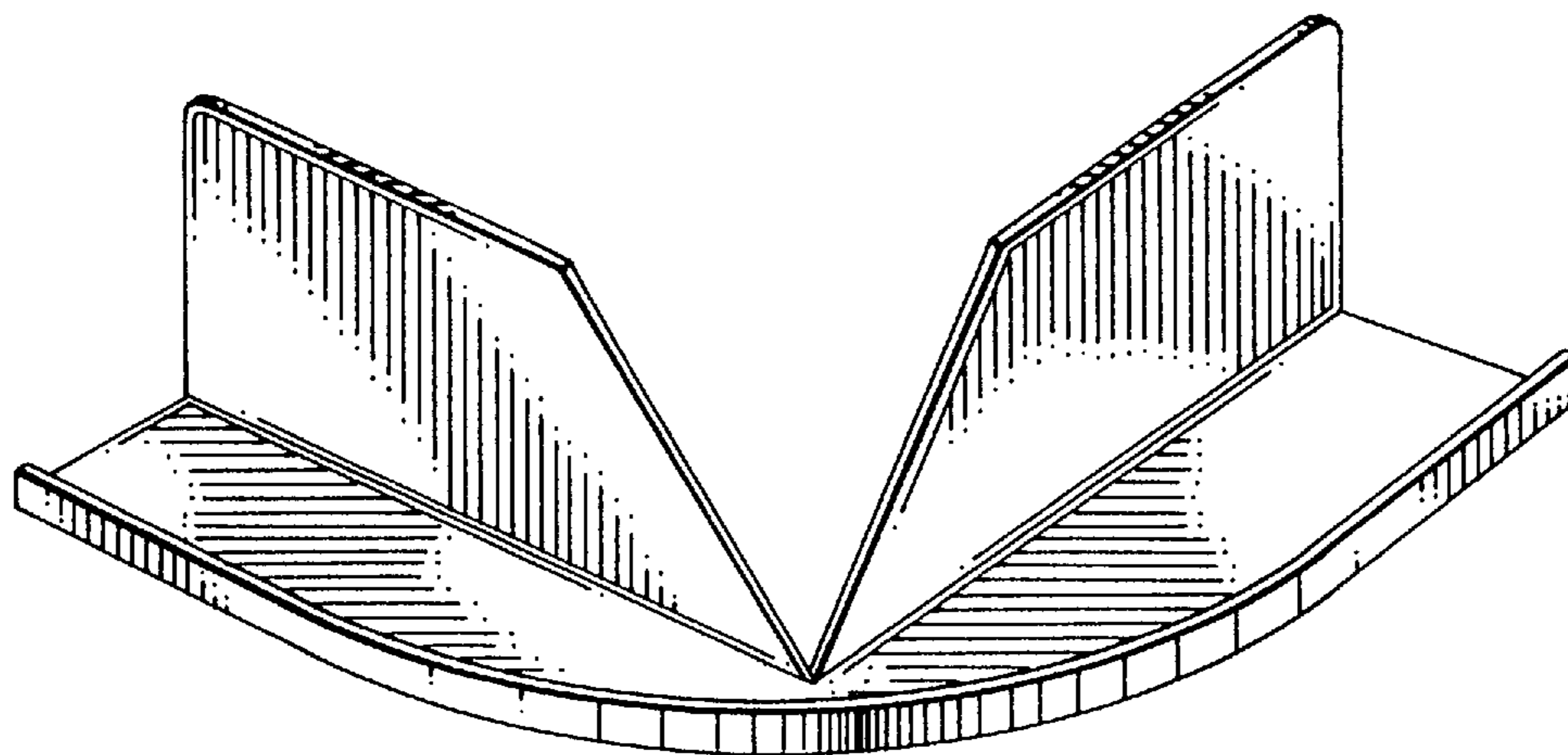


FIG. 1

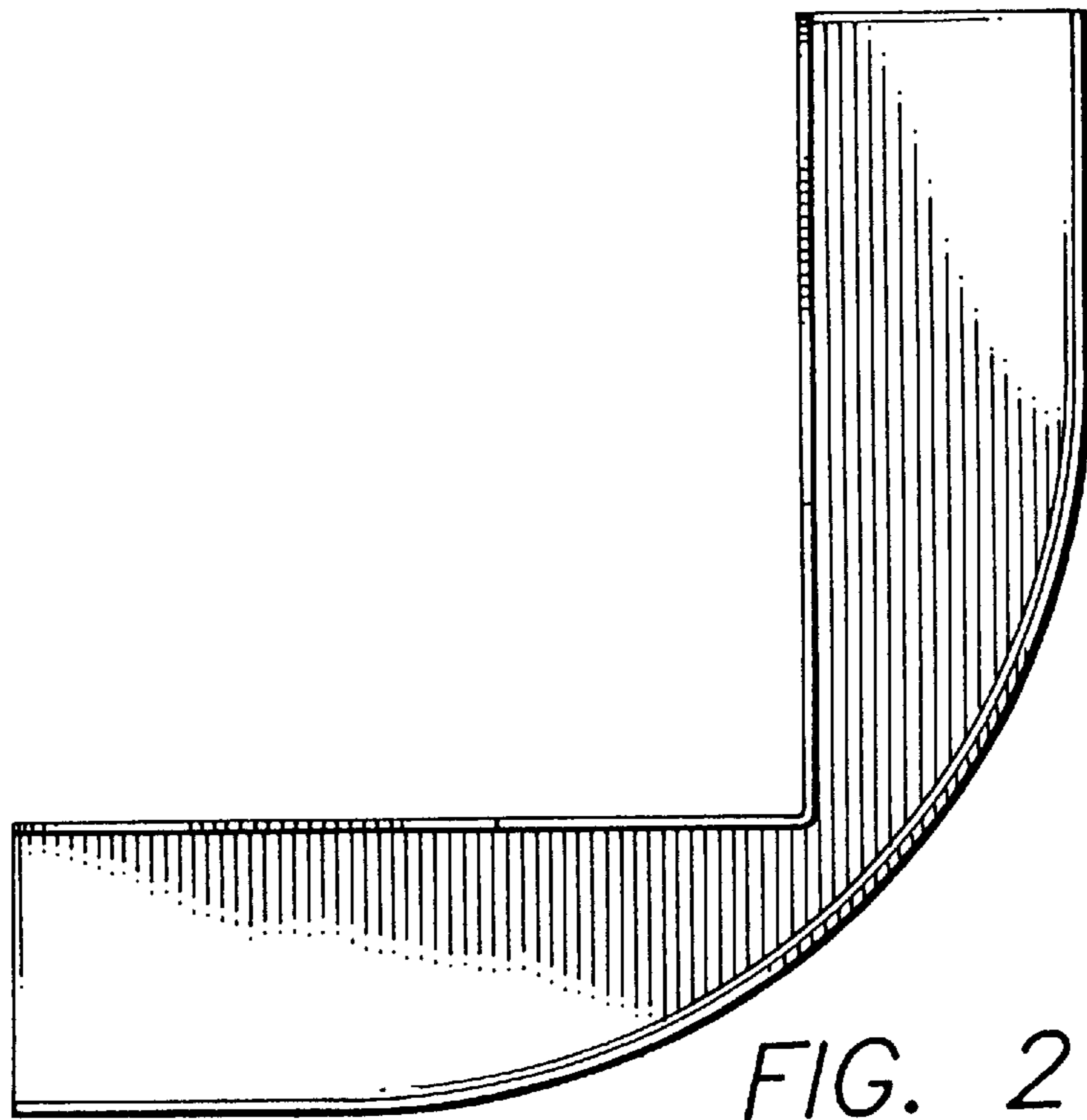
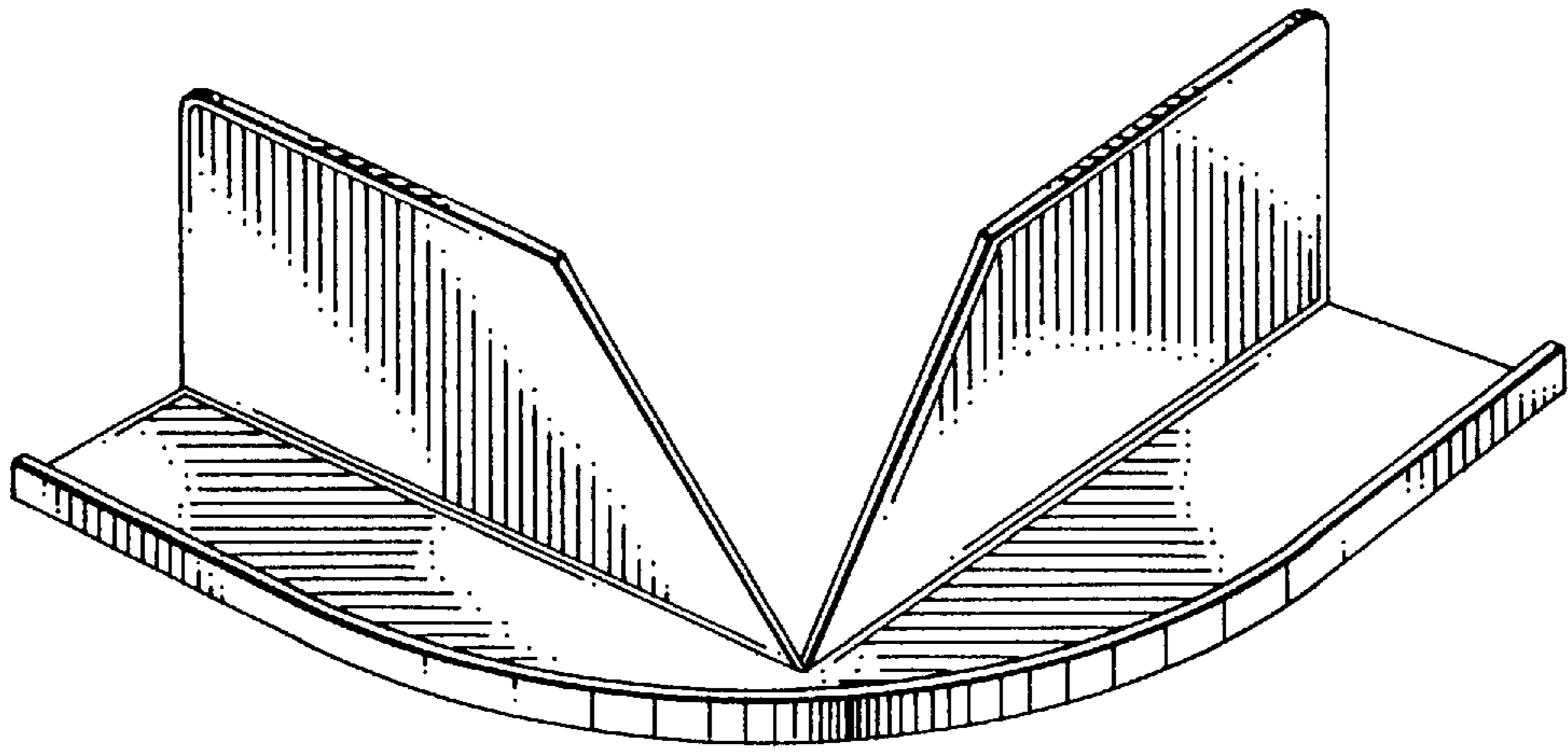


FIG. 2

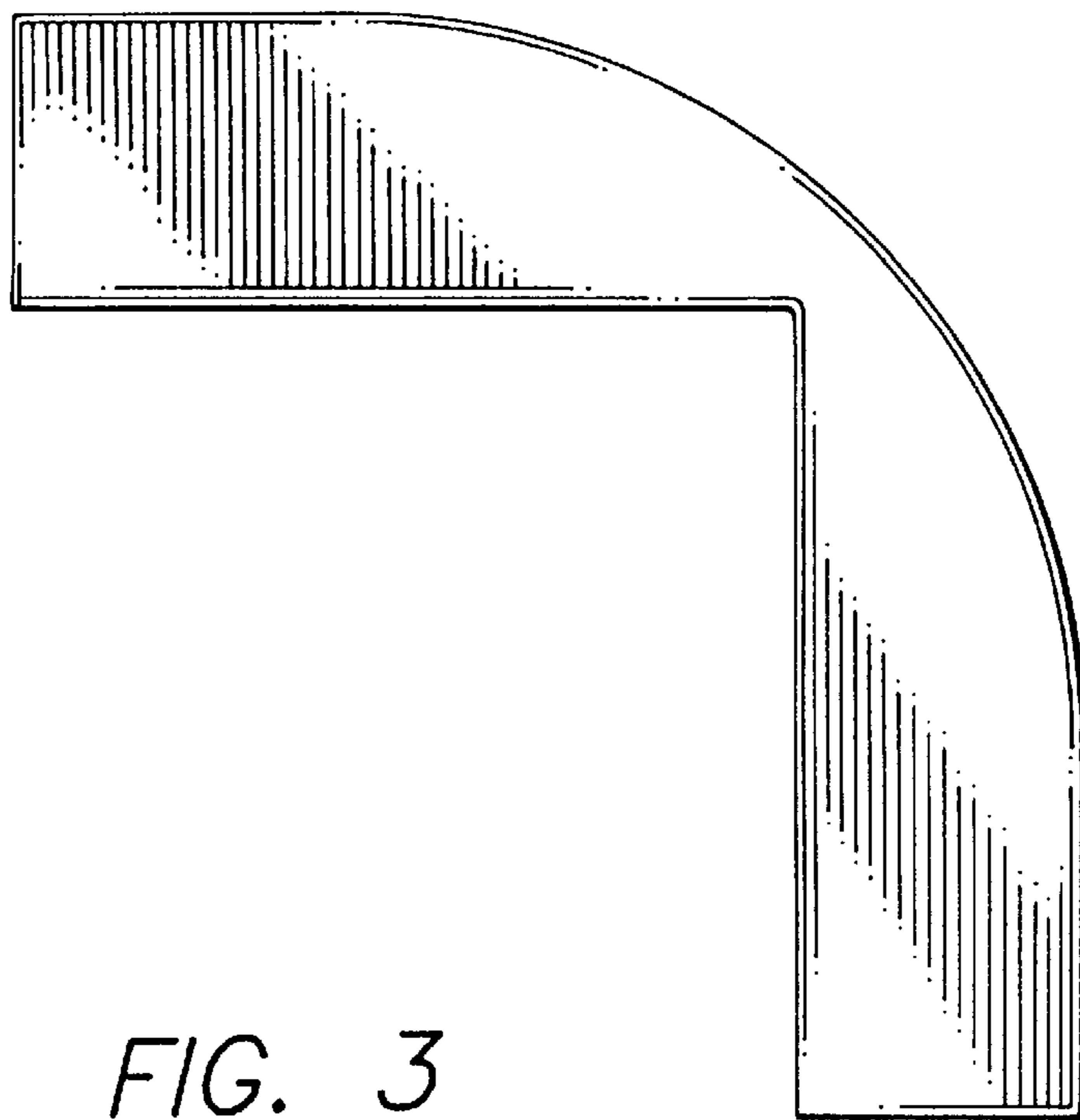


FIG. 3

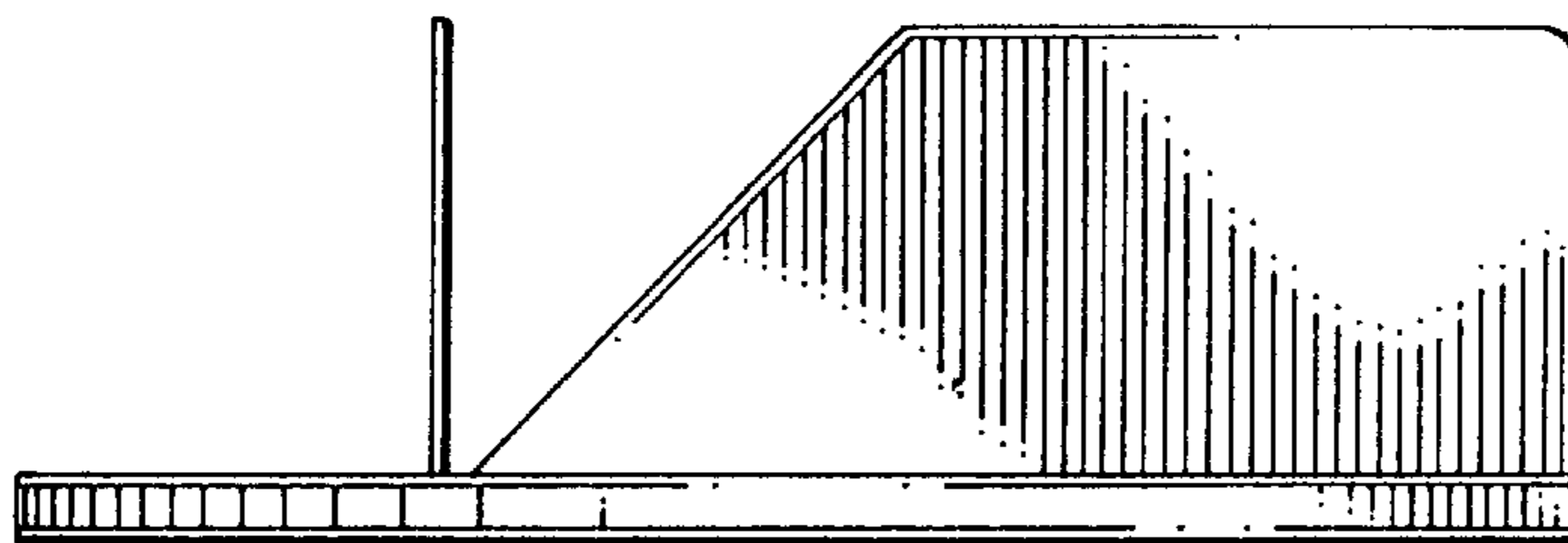


FIG. 4

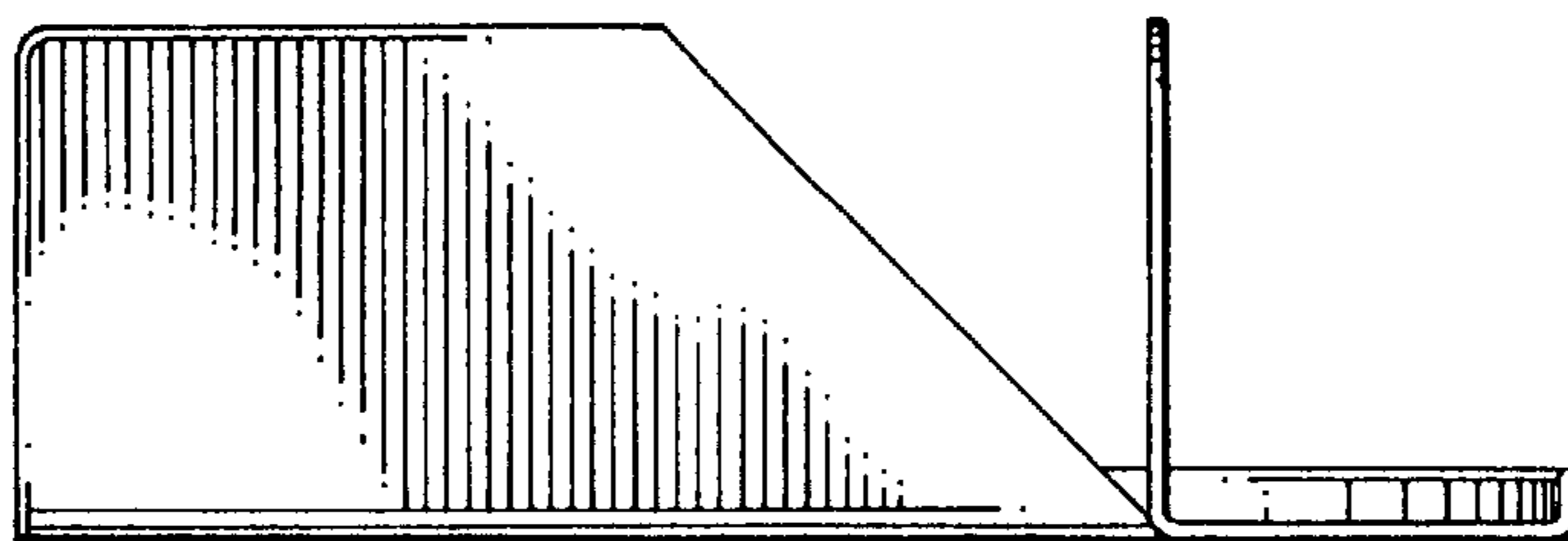


FIG. 5