



US00D398403S

United States Patent [19]

Bishop et al.

[11] Patent Number: **Des. 398,403**

[45] Date of Patent: ****Sep. 15, 1998**

[54] **HEADBAND FOR SURGEONS WITH
REMOVABLE HEADBOARD HANGER**

4,797,736 1/1989 Kloots et al. 600/249 X
5,163,420 11/1992 Van Derbel 600/249

[75] Inventors: **Stephen B. Bishop**, Hudson, Mass.;
David H. Masury, Kittery Point, Me.;
Stephen K. Guerrera, Milford, Mass.;
David G. Harting, Weymouth, Mass.;
Benjamin J. Beck, Boston, Mass.;
Youngmihn Kim, Lexington, Mass.

Primary Examiner—Stella Reid
Attorney, Agent, or Firm—Weingarten, Schurgin, Gagnebin
& Hayes LLP

[73] Assignee: **Luxttec Corporation**, Worcester, Mass.

[**] Term: **14 Years**

[57] **CLAIM**

The ornamental design for a headband for surgeons with removable headband hanger, as shown.

[21] Appl. No.: **51,169**

[22] Filed: **Mar. 4, 1996**

DESCRIPTION

[51] **LOC (6) Cl.** **24-01**

[52] **U.S. Cl.** **D24/231**

[58] **Field of Search** D24/172, 231;
600/249, 109, 111, 167, 160; 362/804

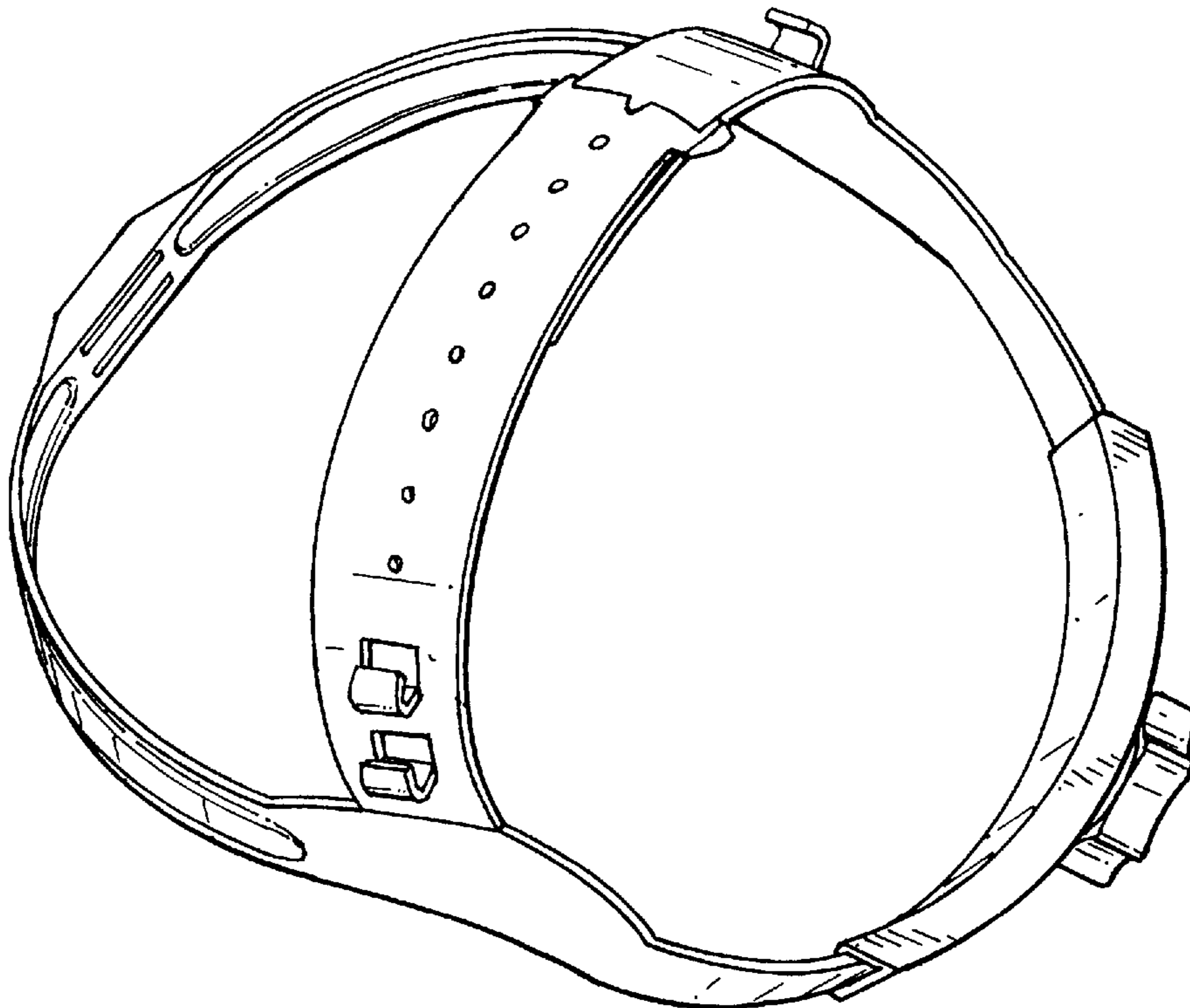
FIG. 1 is a top perspective view of the headband;
FIG. 2 is a bottom perspective view of the headband;
FIG. 3 is a side perspective view of a tightening handle of the headband;
FIG. 4 is a top perspective view of a mating mechanism of the headband showing a bottom mounting slot;
FIG. 5 is a further top perspective view of the mating mechanism of the headband showing a top mounting slot;
FIG. 6 is a top perspective view of a headband hanger;
FIG. 7 is a left side perspective view of the headband hanger;
FIG. 8 is a right side perspective view of the headband hanger; and,
FIG. 9 is a front perspective view of the headband hanger inserted into the headband.

[56] **References Cited**

U.S. PATENT DOCUMENTS

3,745,993 7/1973 Feinbloom 600/249
3,830,230 8/1974 Chester 600/249
3,947,676 3/1976 Battilana et al. 600/249 X
4,593,683 6/1986 Blaha 600/249

1 Claim, 5 Drawing Sheets



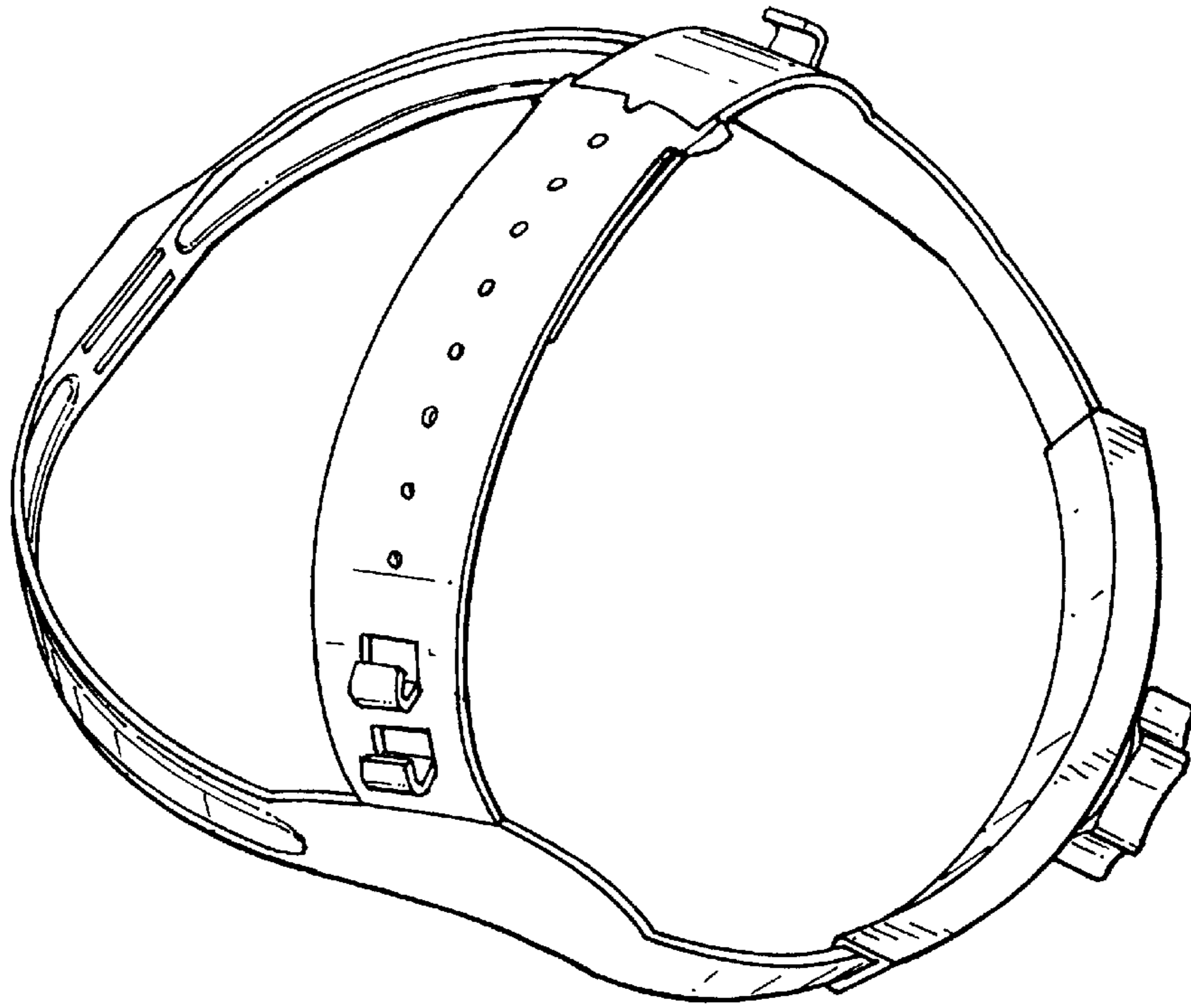


FIG. 1

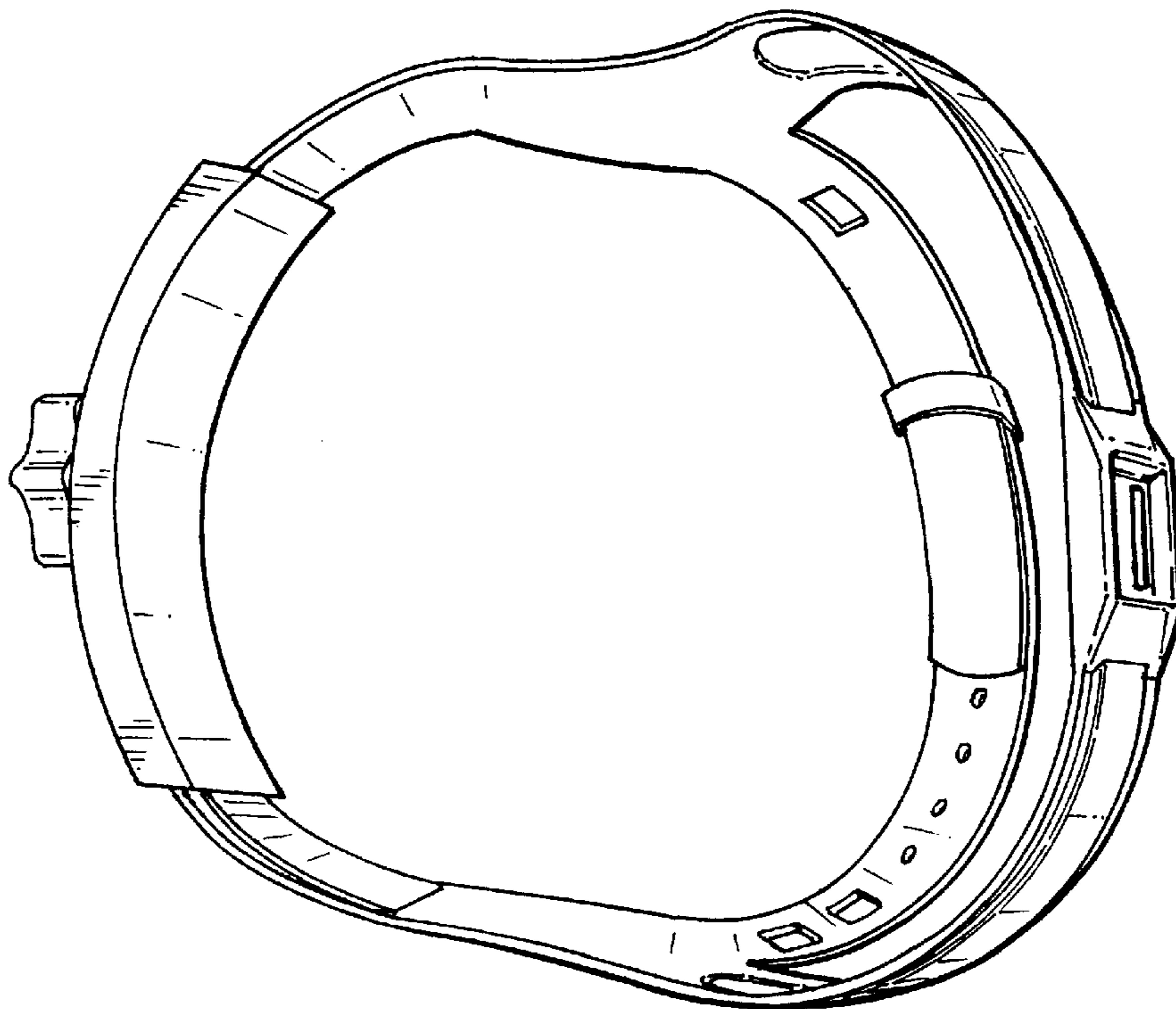


FIG. 2

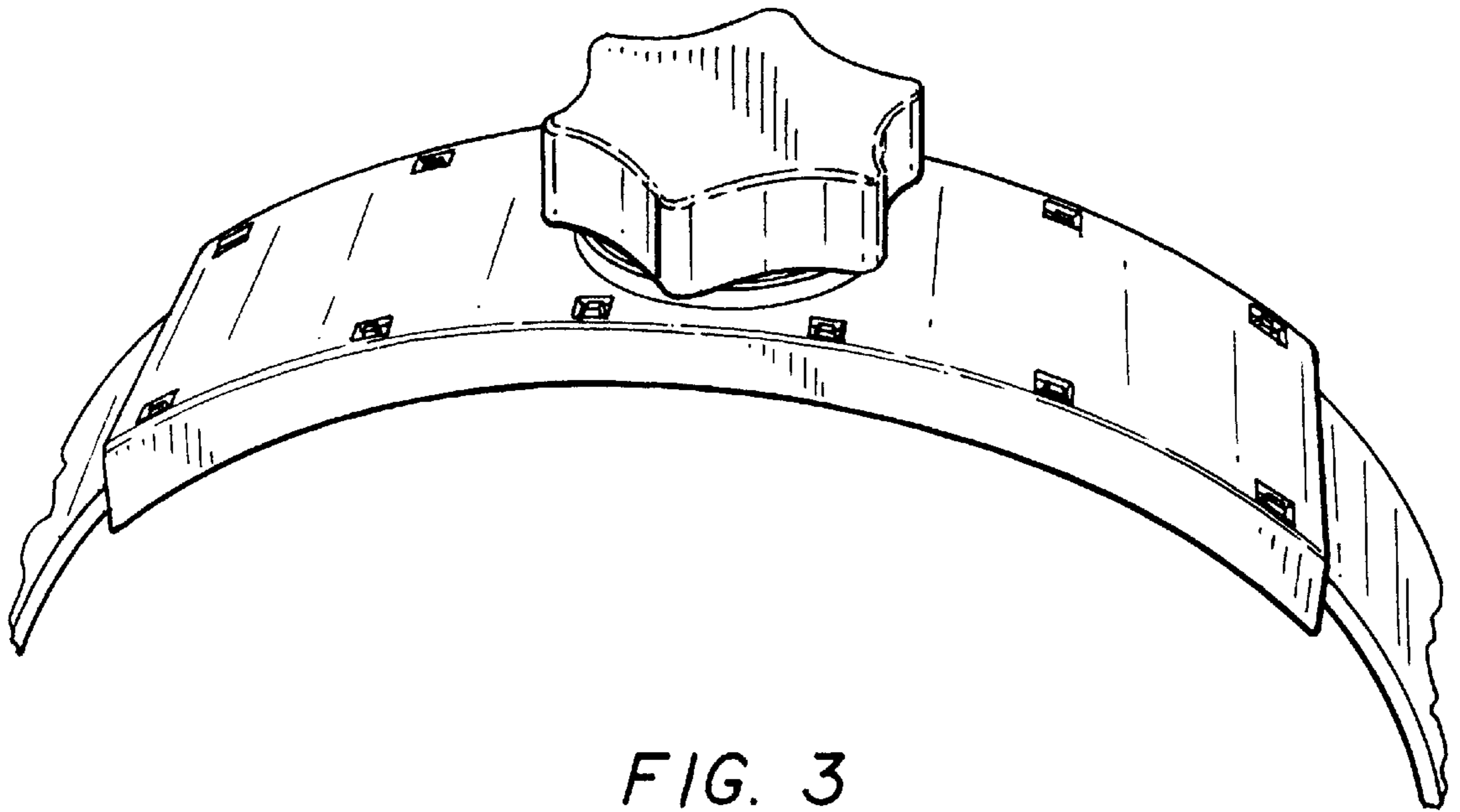


FIG. 3

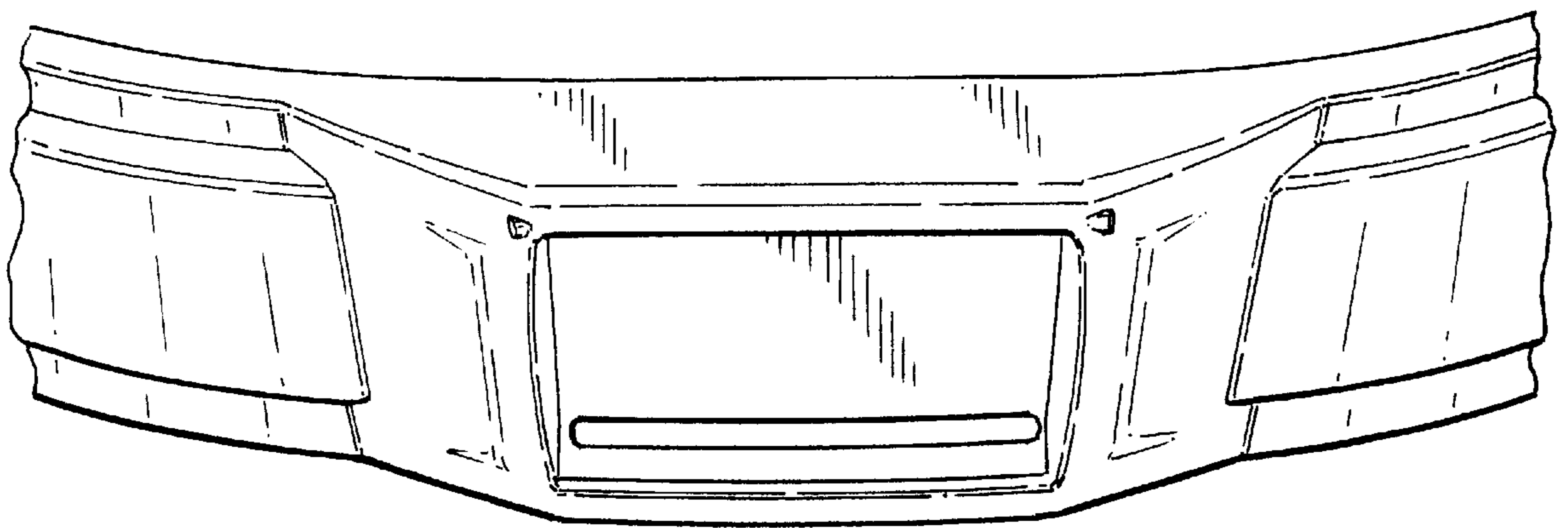


FIG. 4

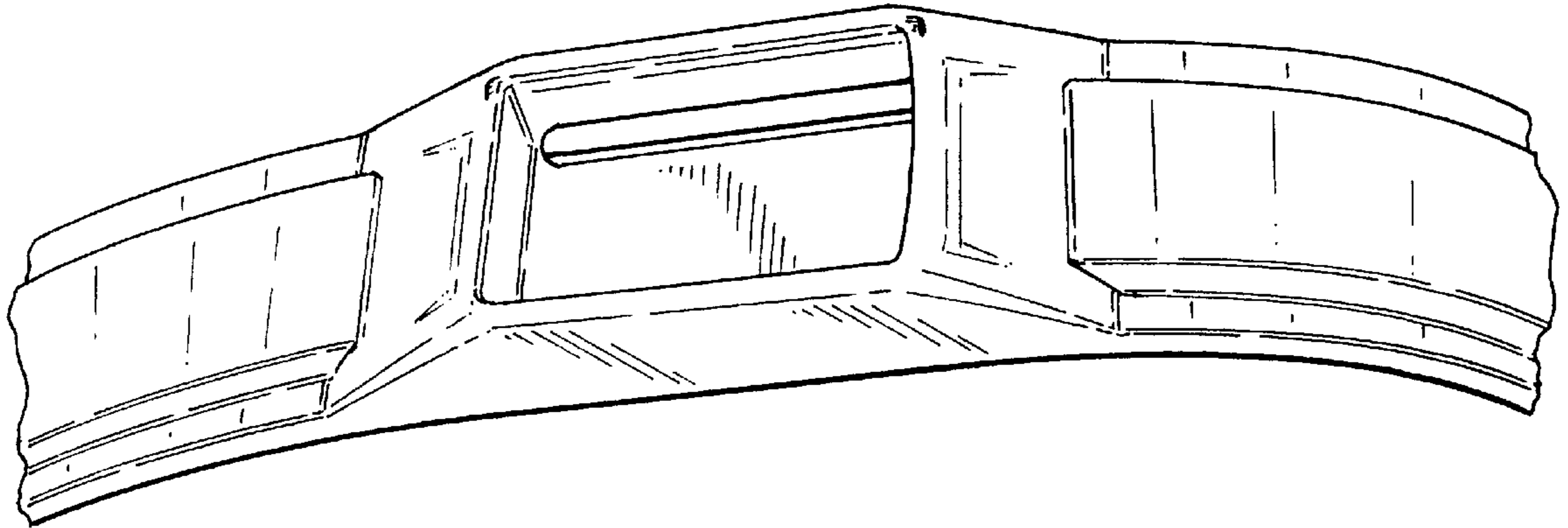


FIG. 5

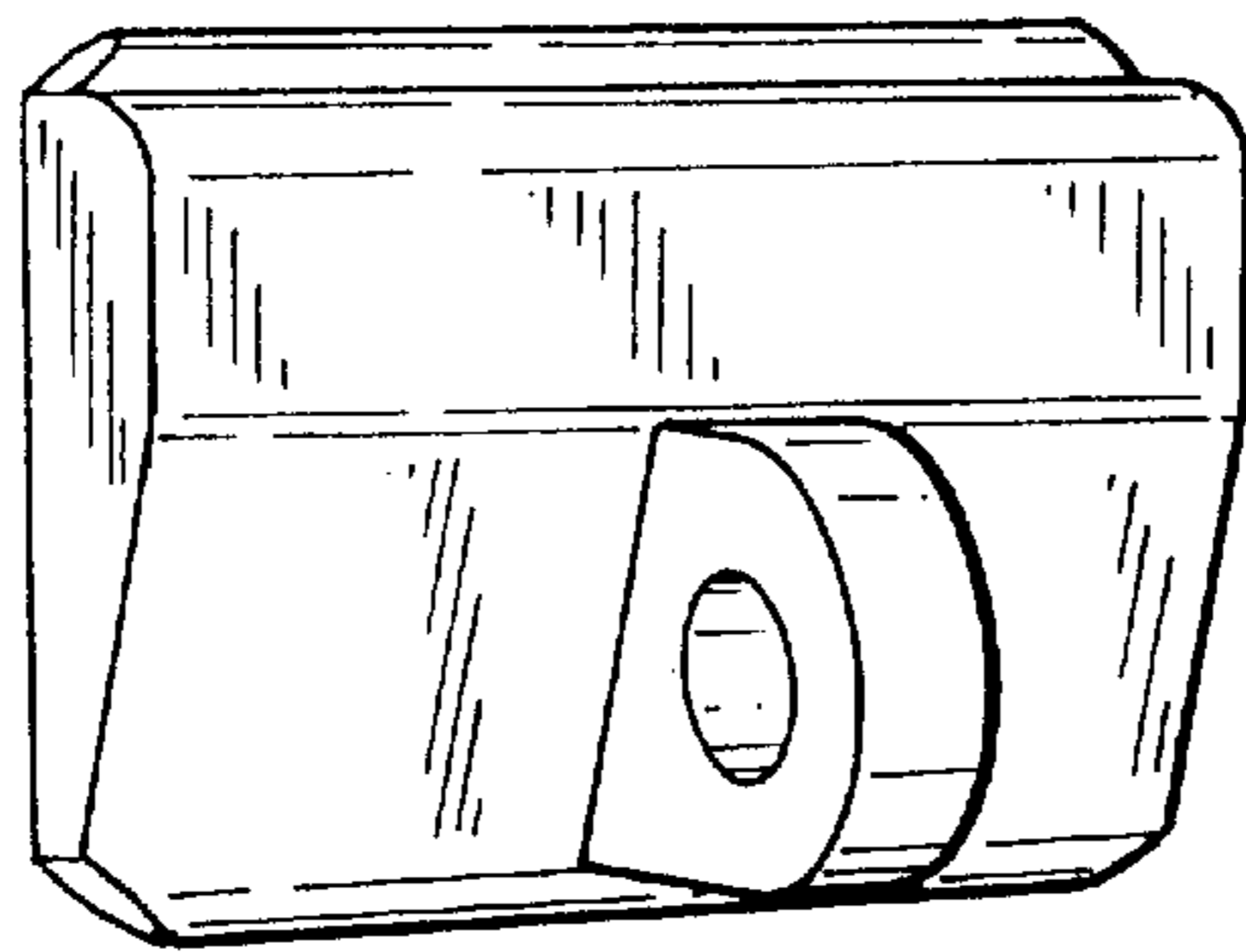


FIG. 6

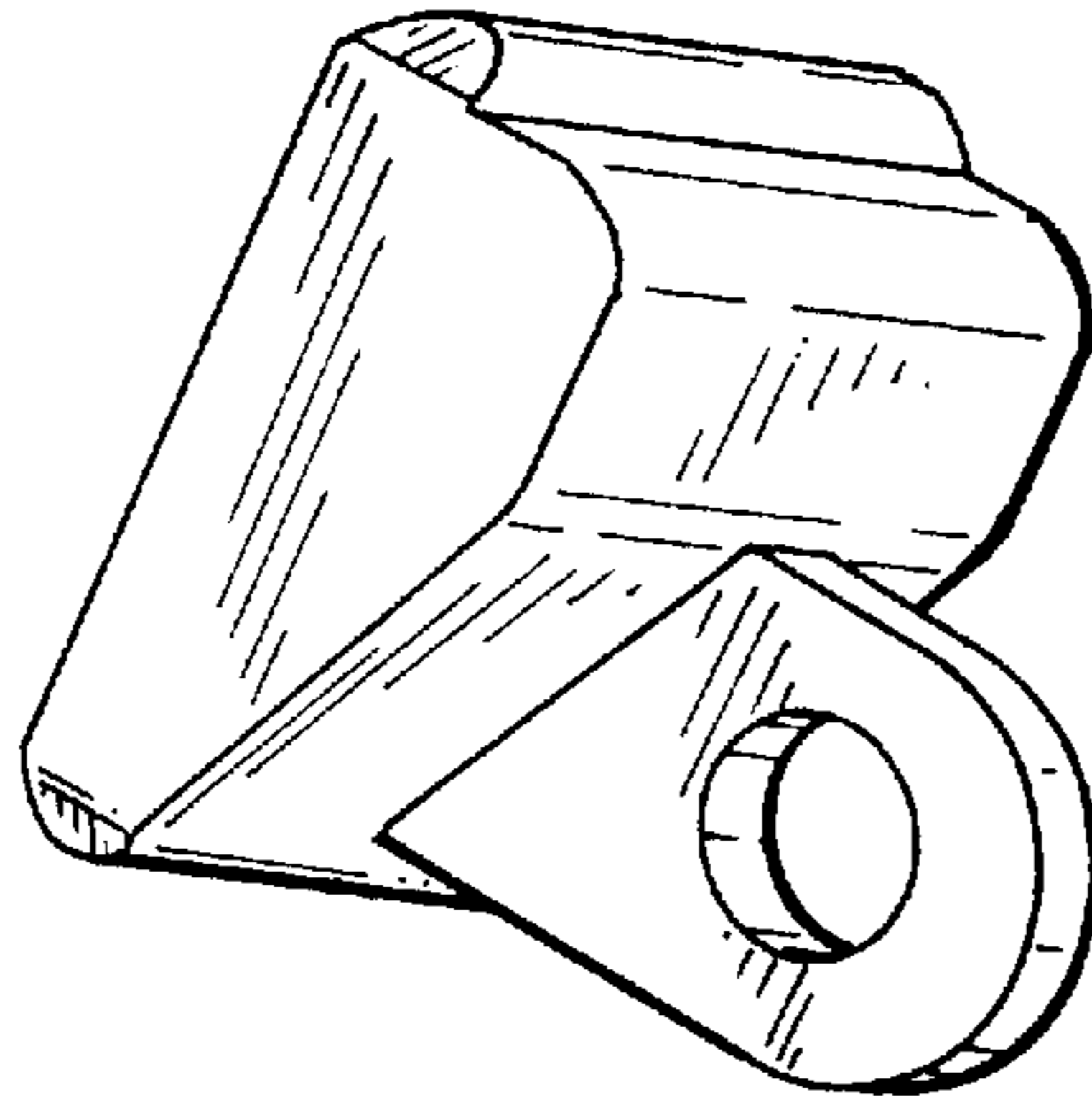


FIG. 7

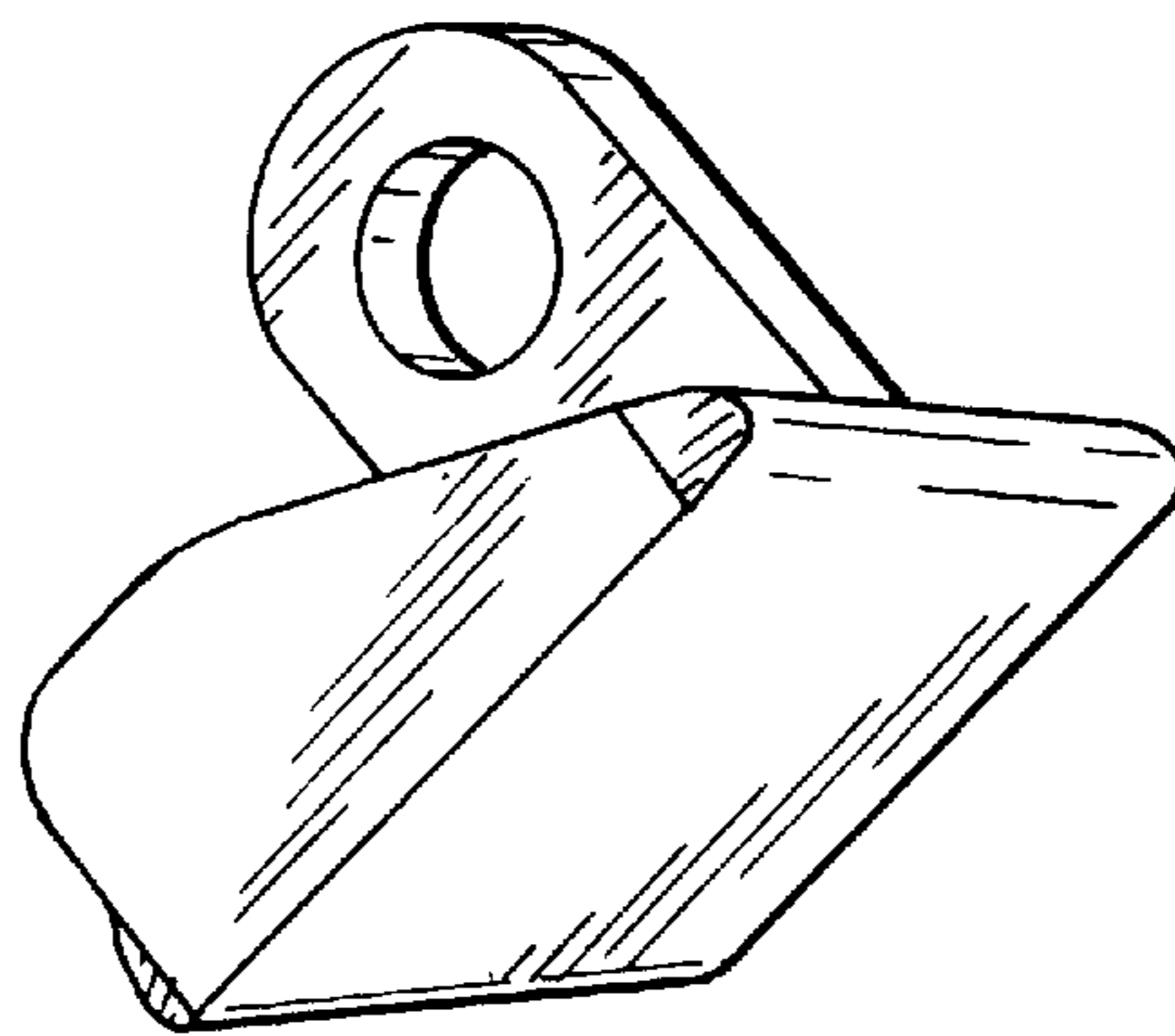


FIG. 8

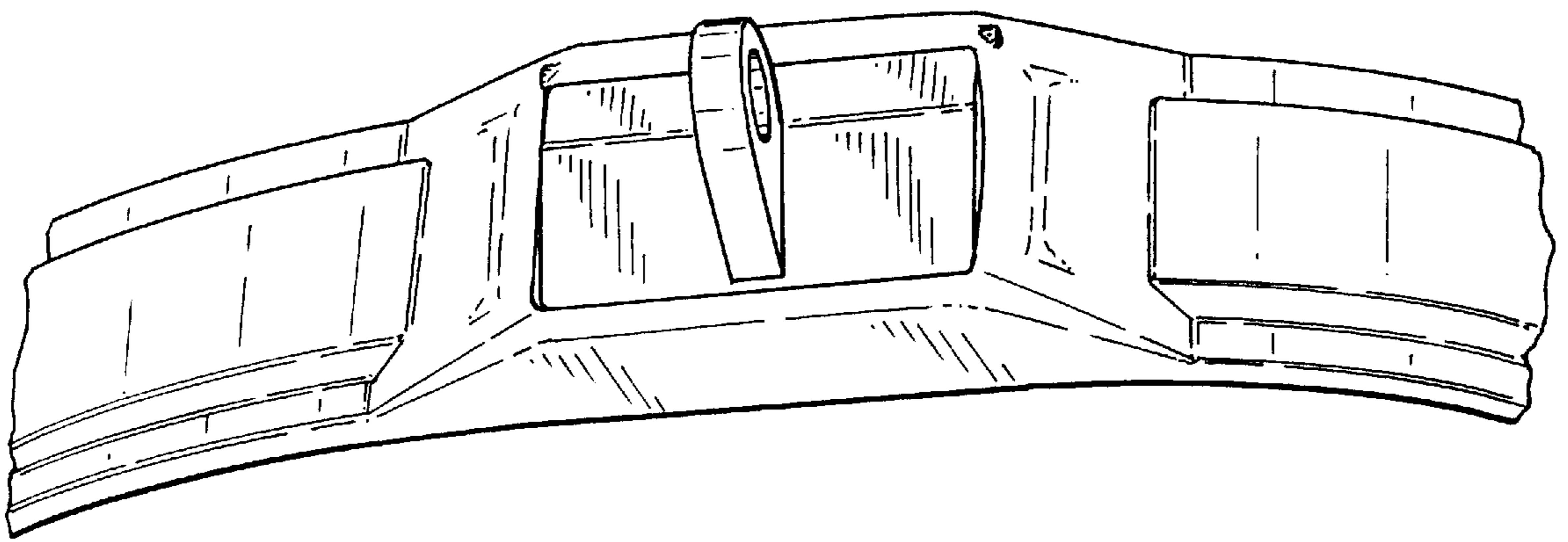


FIG. 9

UNITED STATES PATENT AND TRADEMARK OFFICE
CERTIFICATE OF CORRECTION

PATENT NO : Des. 398,403
DATED : September 15, 1998
INVENTOR(S) : Stephen B. Bishop et al.

It is certified that error appears in the above-identified patent and that said Letters Patent is hereby corrected as shown below:

In the title, item [54] reads, "[54] HEADBAND FOR SURGEONS WITH REMOVABLE HEADBOARD HANGER"

should read --HEADBAND FOR SURGEONS WITH REMOVABLE HEADBAND HANGER--

Signed and Sealed this
Twentieth Day of March, 2001



Attest:

NICHOLAS P. GODICI

Attesting Officer

Acting Director of the United States Patent and Trademark Office