



US00D398401S

United States Patent [19]

Antoskow

[11] **Patent Number: Des. 398,401**

[45] **Date of Patent: **Sep. 15, 1998**

[54] **MASSAGER**

[76] Inventor: **Christopher P. Antoskow**, 5621 Deerfield Pl., Kennesaw, Ga. 30144

[**] Term: **14 Years**

[21] Appl. No.: **62,225**

[22] Filed: **Nov. 12, 1996**

D. 328,328 7/1992 Juarez D24/211
D. 369,219 4/1996 Huang D24/211
D. 369,661 5/1996 Taylor D24/211

Primary Examiner—Louis S. Zarfaz
Attorney, Agent, or Firm—Watson Cole Grindle Watson, P.L.L.C.

Related U.S. Application Data

[62] Division of Ser. No. 44,564, Sep. 26, 1995, Pat. No. Des. 381,431.

[51] **LOC (6) Cl.** **24-04**

[52] **U.S. Cl.** **D24/211**

[58] **Field of Search** D24/211, 214, D24/200; 601/134, 135, 136, 137

[57] CLAIM

The ornamental design for a massager, as shown and described.

DESCRIPTION

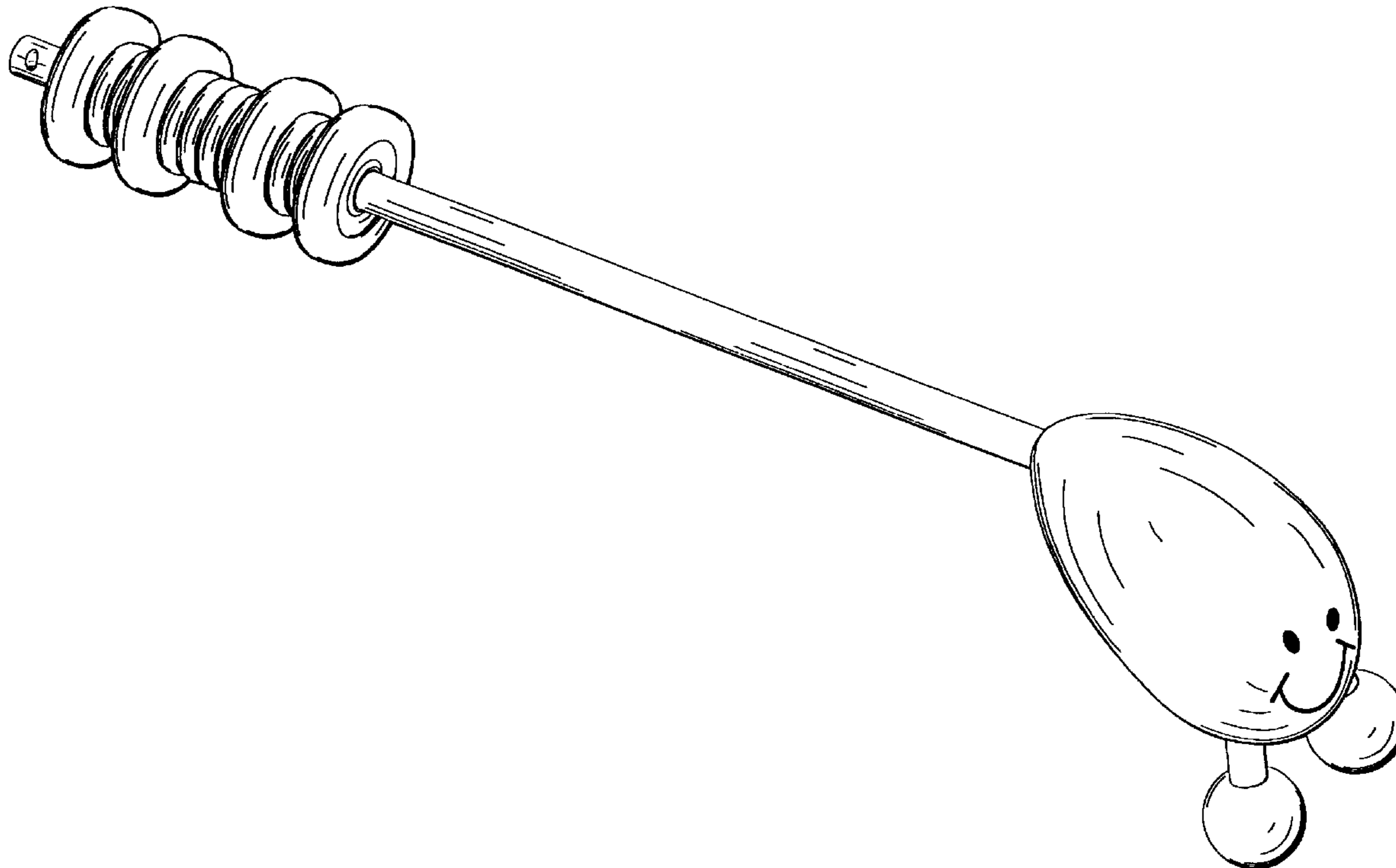
FIG. 1 is a top right perspective view of a massager, showing my new design;
FIG. 2 is a front elevational view thereof;
FIG. 3 is a rear elevational view thereof;
FIG. 4 is a left side elevational view thereof, the right side elevational view being a mirror image thereof;
FIG. 5 is a top plan view thereof; and,
FIG. 6 is a bottom plan view thereof.

[56] References Cited

U.S. PATENT DOCUMENTS

D. 273,042 3/1984 Jackson D24/211

1 Claim, 2 Drawing Sheets



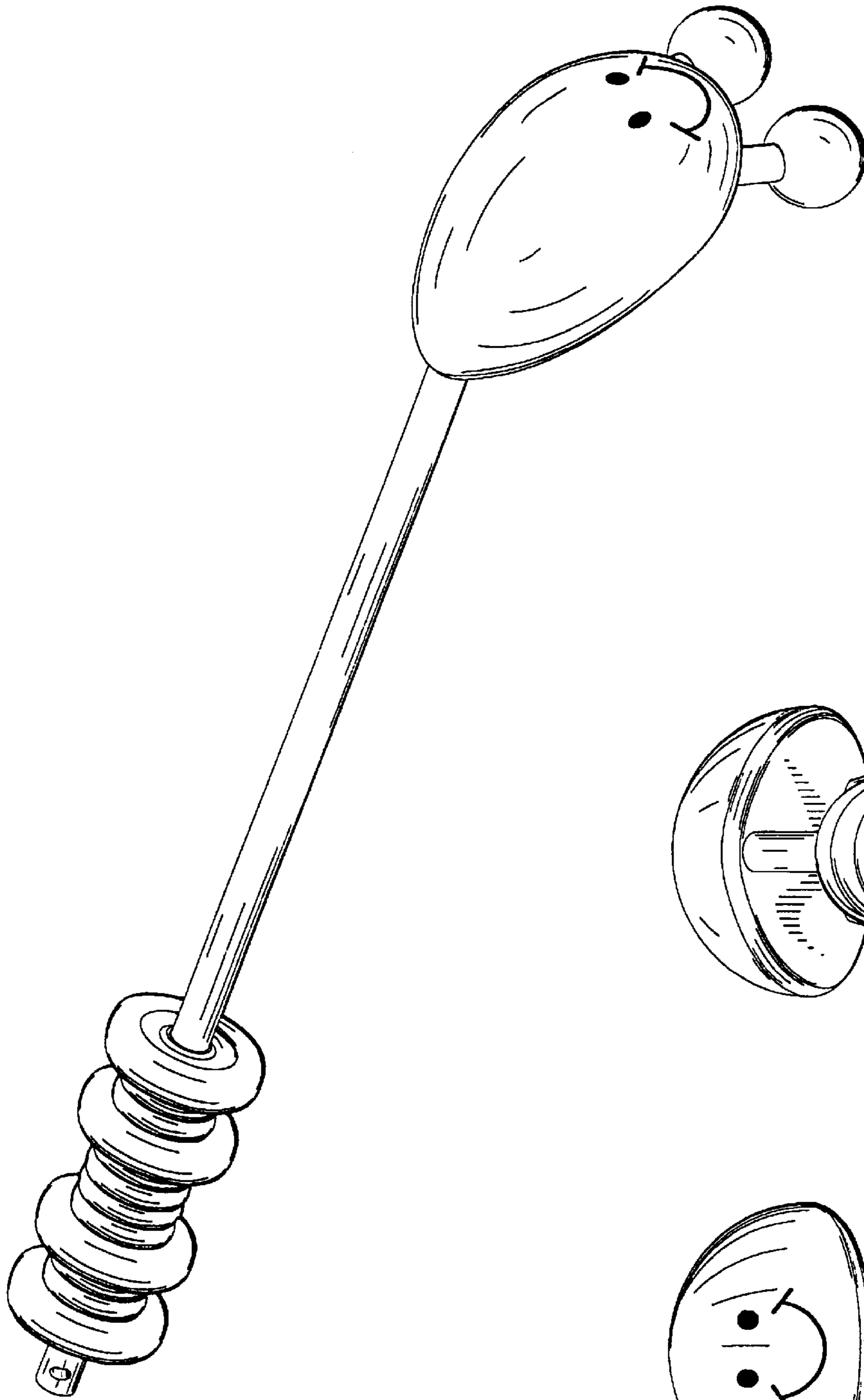


FIG. 1

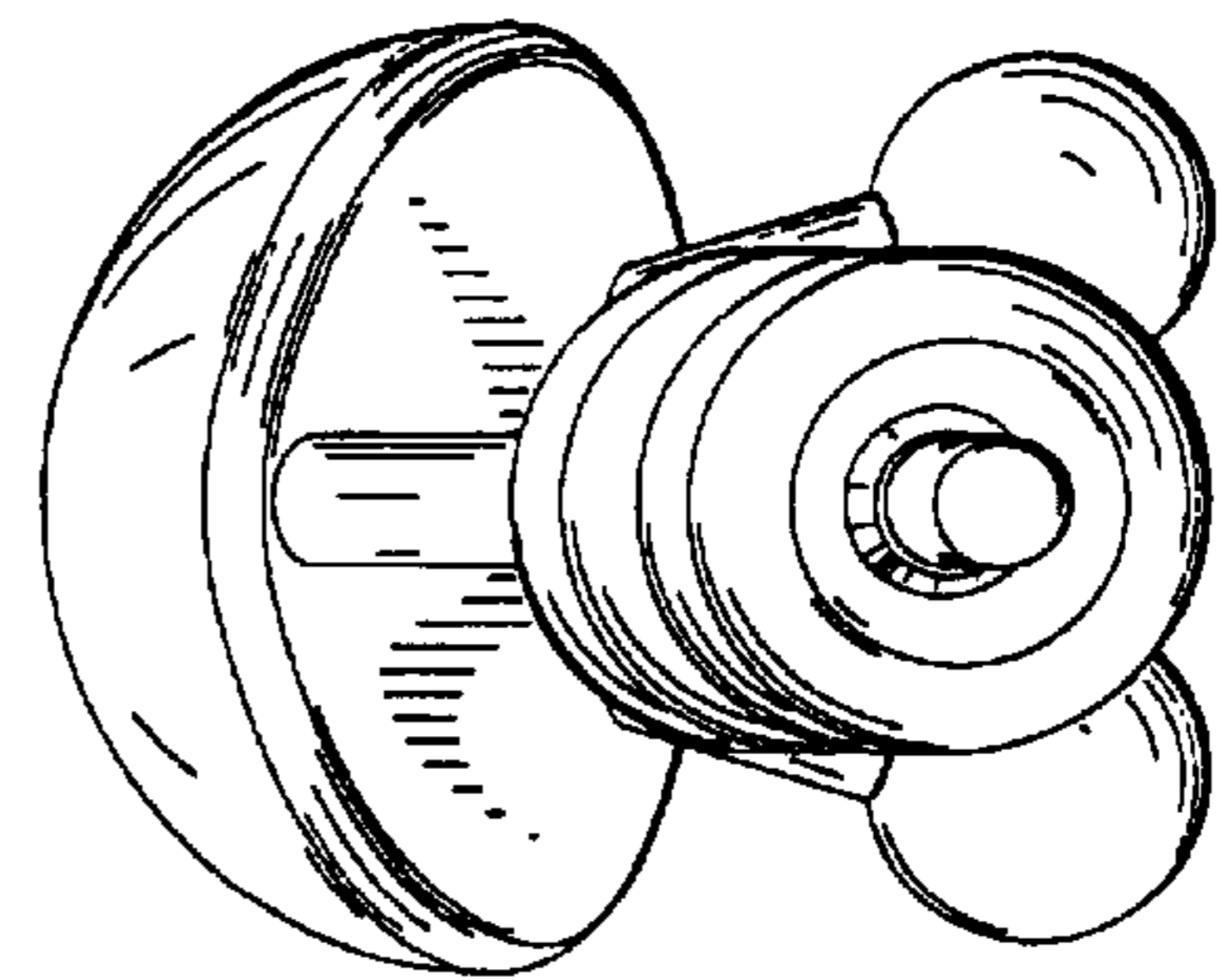


FIG. 2

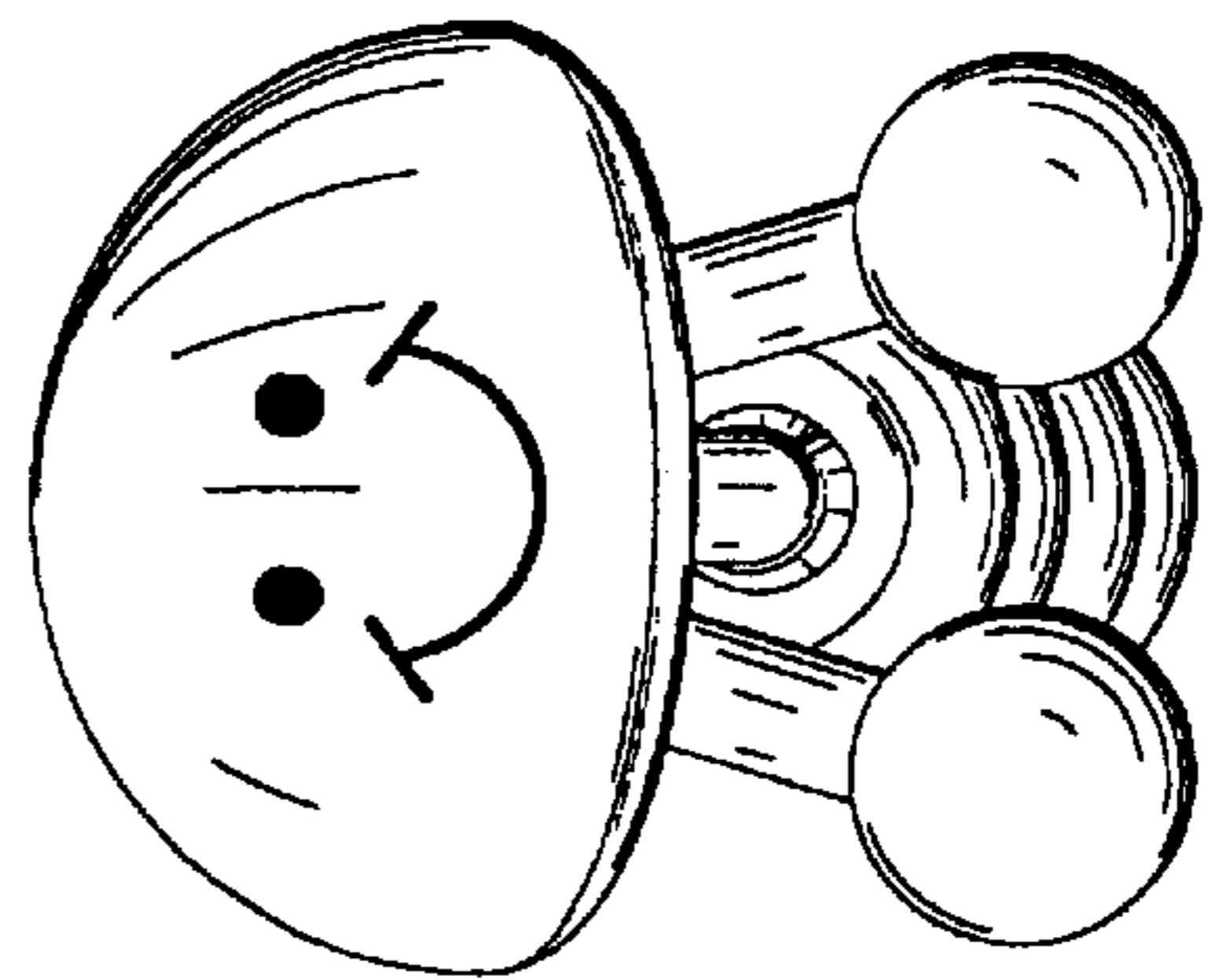


FIG. 3

