



US00D398399S

United States Patent [19]

Vincent et al.

[11] **Patent Number: Des. 398,399**

[45] **Date of Patent: **Sep. 15, 1998**

[54] **BACK STRETCHER**

[75] Inventors: **Rodney Vincent**, Bellair, Fla.; **Marco Herrera Parrales**, San Jose, Calif.

[73] Assignee: **Manualidades De Mimbres De Costa**, San Jose, Calif.

[**] Term: **14 Years**

[21] Appl. No.: **75,028**

[22] Filed: **Aug. 14, 1997**

[51] **LOC (6) Cl.** **24-04**

[52] **U.S. Cl.** **D24/200**

[58] **Field of Search** D24/212, 200,
D24/215; 601/97, 98, 100, 115, 128, 131,
134, 136

[56] **References Cited**

U.S. PATENT DOCUMENTS

D. 312,694 12/1990 Yanazaki D24/215

D. 348,519 7/1994 Cagle D24/211
4,350,152 9/1982 Strakowski D24/200 X
4,383,342 5/1983 Forster D24/211 X

Primary Examiner—Stella Reid

Attorney, Agent, or Firm—James E. Larson; Larson & Larson, P.A.

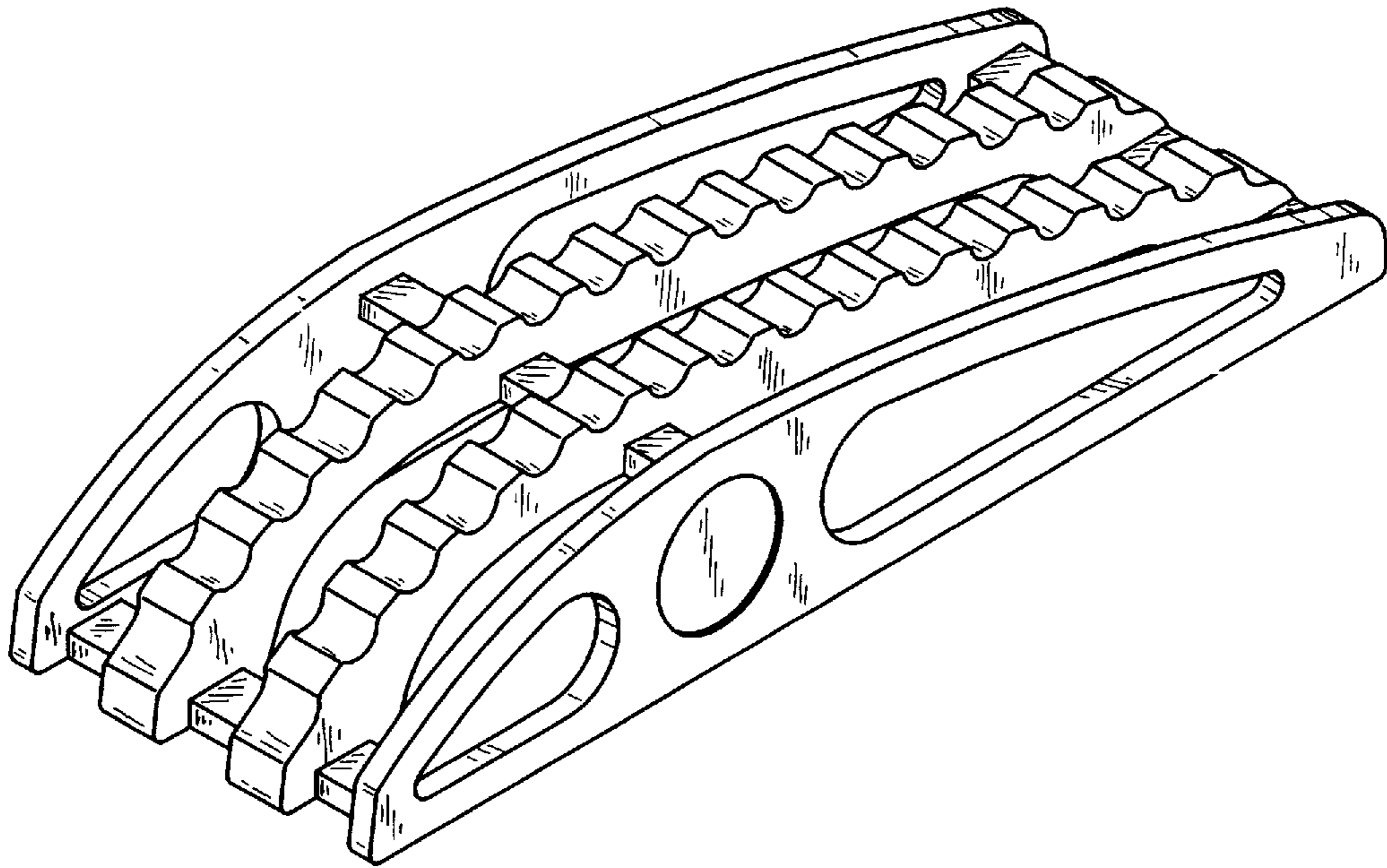
[57] **CLAIM**

The ornamental design for a back stretcher, as shown and described.

DESCRIPTION

FIG. 1 is a perspective view of a back stretcher, showing my novel design;
FIG. 2 is a front view thereof;
FIG. 3 is a rear view thereof;
FIG. 4 is a top plan view thereof;
FIG. 5 is a bottom plan view thereof;
FIG. 6 is a right side elevational view thereof; and,
FIG. 7 is a left side elevational view thereof.

1 Claim, 3 Drawing Sheets



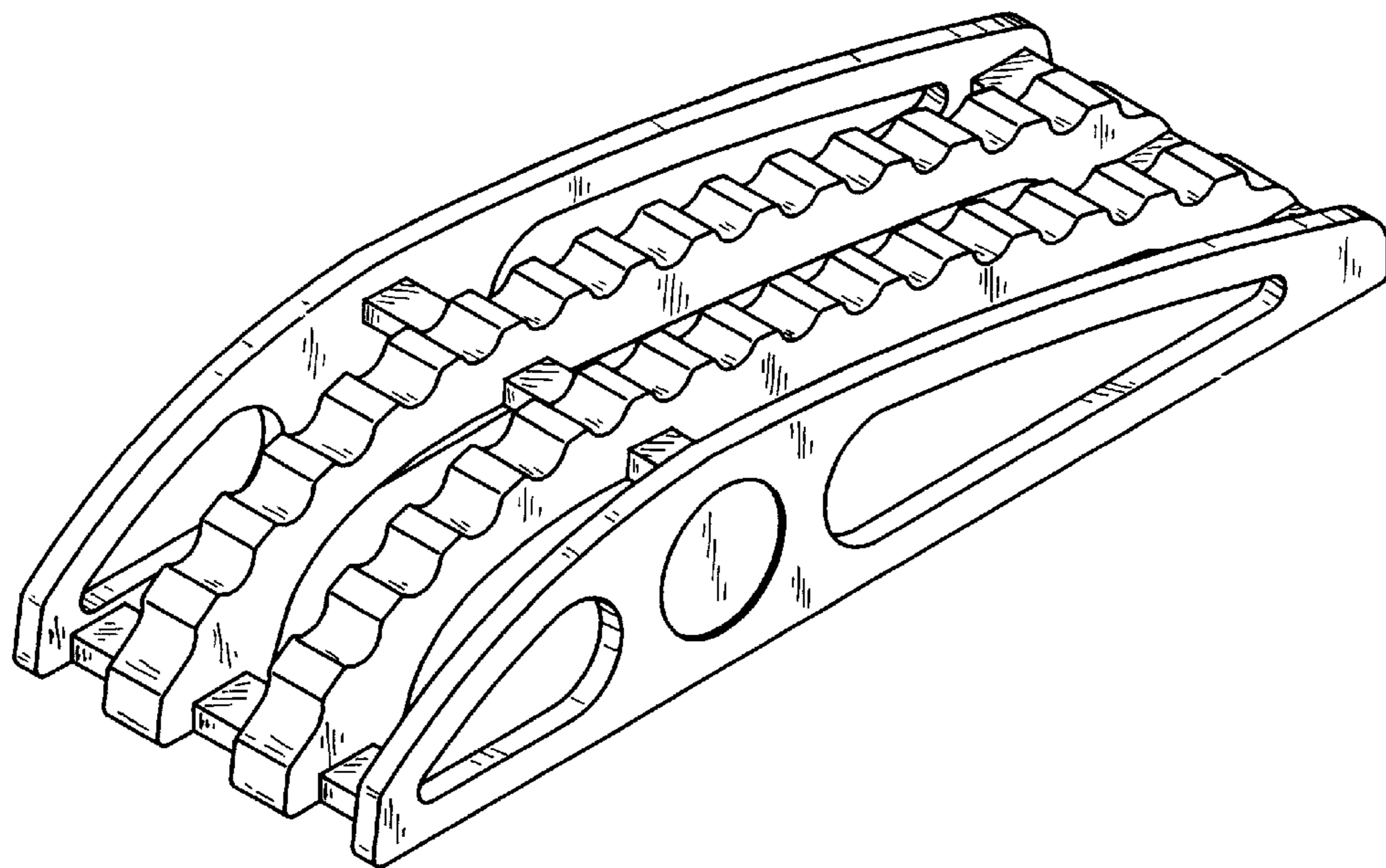


Fig. 1

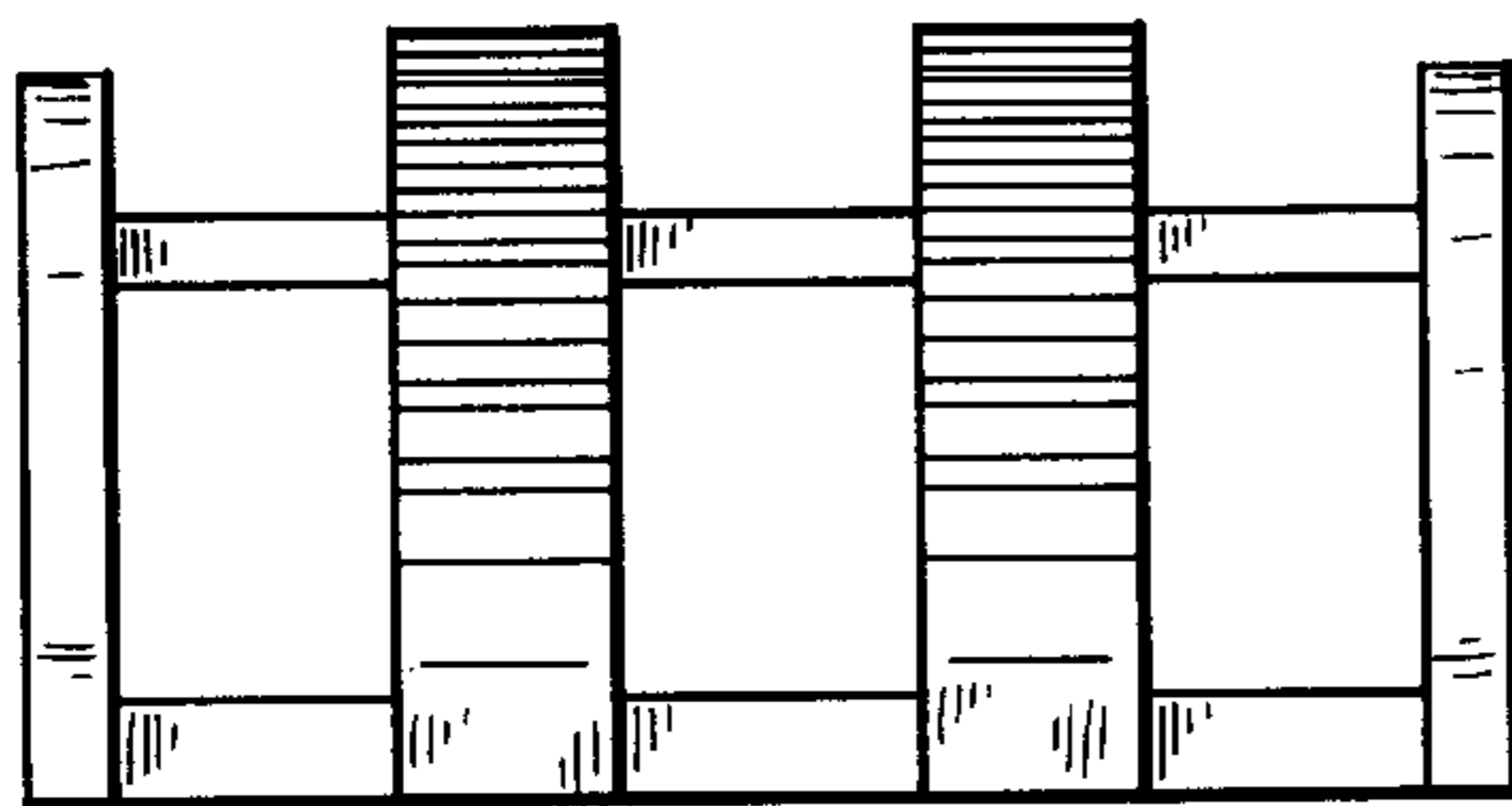


Fig. 2

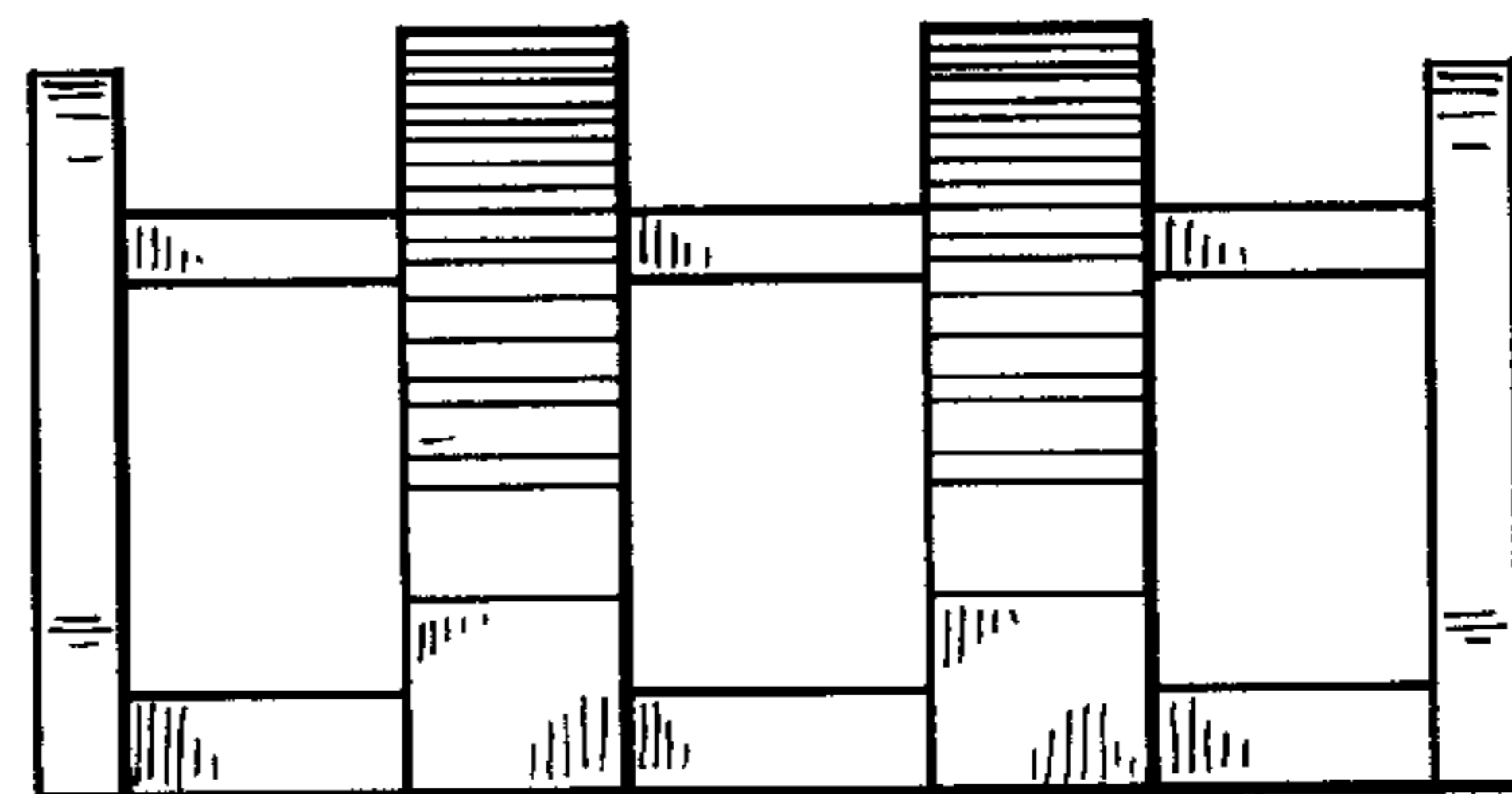


Fig. 3

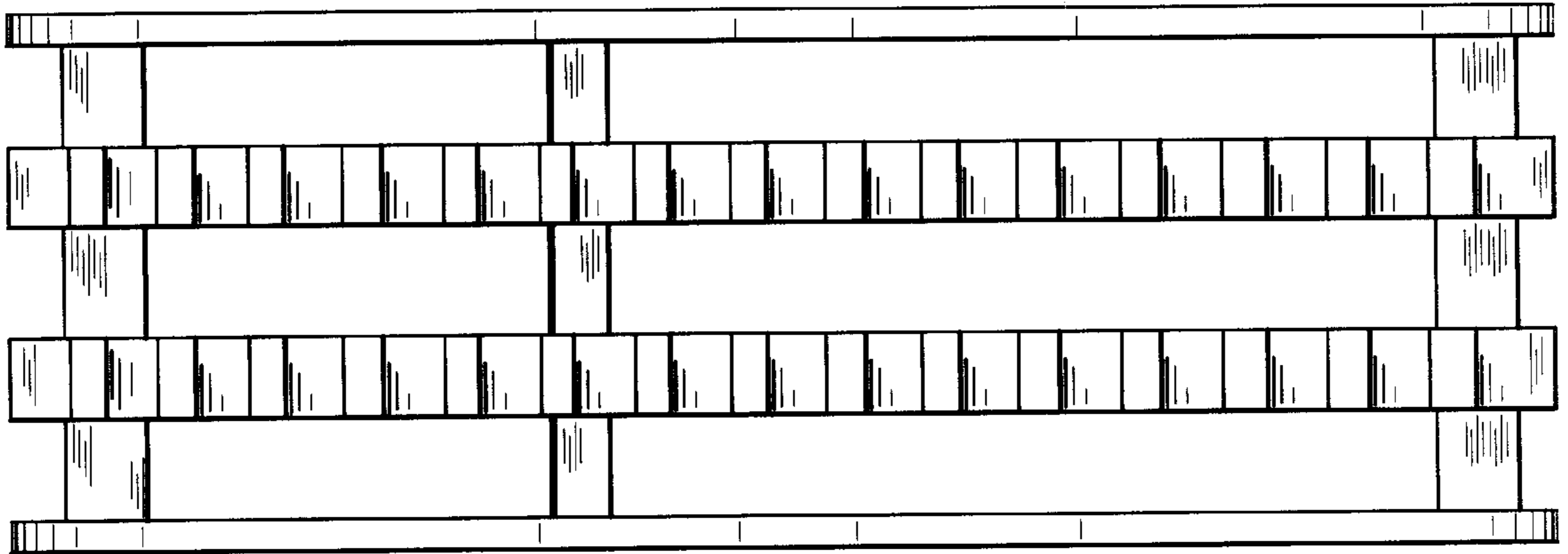


Fig. 4

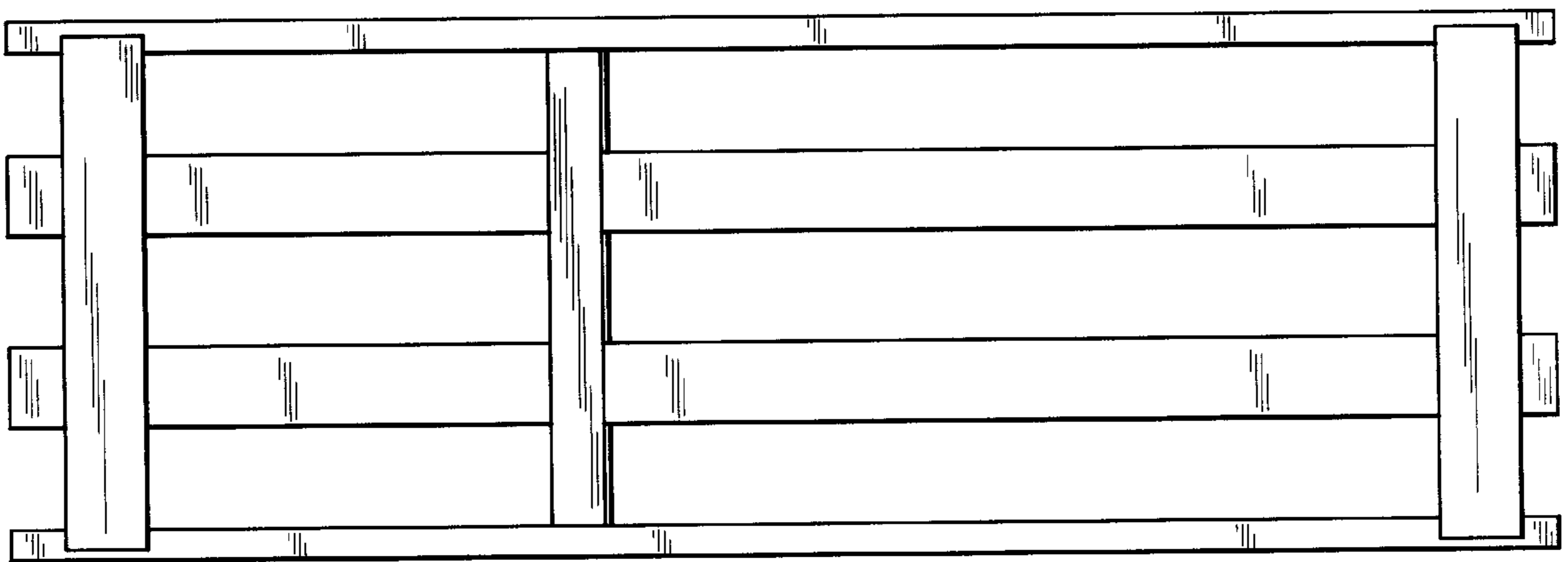


Fig. 5

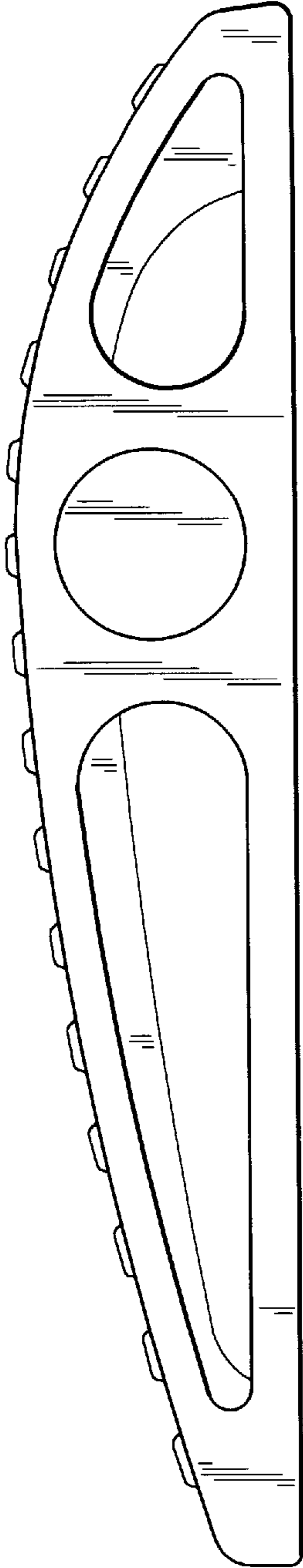


Fig. 6

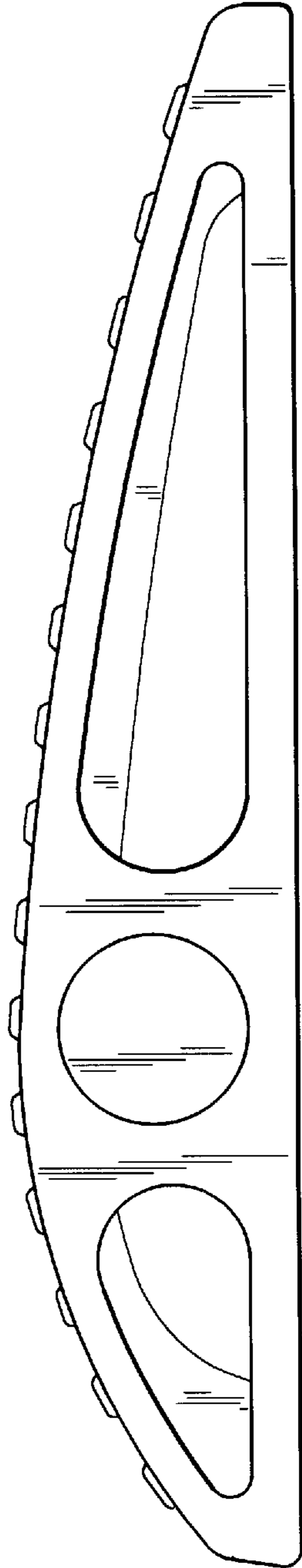


Fig. 7