



US00D398394S

United States Patent [19]
Pickett

[11] **Patent Number: Des. 398,394**

[45] **Date of Patent: **Sep. 15, 1998**

[54] **COMBINED CEILING FAN AND LIGHT FIXTURE**

[75] Inventor: **Mark Pickett**, Rancho Palos Verdes, Calif.

[73] Assignee: **Minka Lighting, Inc.**, Corona, Calif.

[**] Term: **14 Years**

[21] Appl. No.: **60,975**

[22] Filed: **Oct. 15, 1996**

[51] **LOC (6) Cl.** **23-04**

[52] **U.S. Cl.** **D23/277; D23/379; D23/385**

[58] **Field of Search** **D23/377, 379, D23/385, 411; D26/81-86, 88, 72, 51, 59, 80; 416/5; 392/364; 362/96**

[56] **References Cited**
PUBLICATIONS

Beverly Hills Co. Inc. Adv. Brochure, p. 3, Ceiling Fan A, bottom left side of page.

Winnower Fan Co. Adv. Brochure, p. 1, Society Ceiling Fan and p. 16, Spectrum Ceiling Fan.

Homestead Ceiling Fan Cat. ©1987, p. 15, ceiling fan B, top right side of page.

Primary Examiner—Lisa Lichtenstein
Attorney, Agent, or Firm—Jenkins & Gilchrist, P.C.

[57] **CLAIM**

The ornamental design for a combined ceiling fan and light fixture, as shown and described.

DESCRIPTION

FIG. 1 is a front perspective view of a combined ceiling fan and light fixture incorporating my ornamental design;

FIG. 2 is a rear view of the combined ceiling fan and light fixture of FIG. 1;

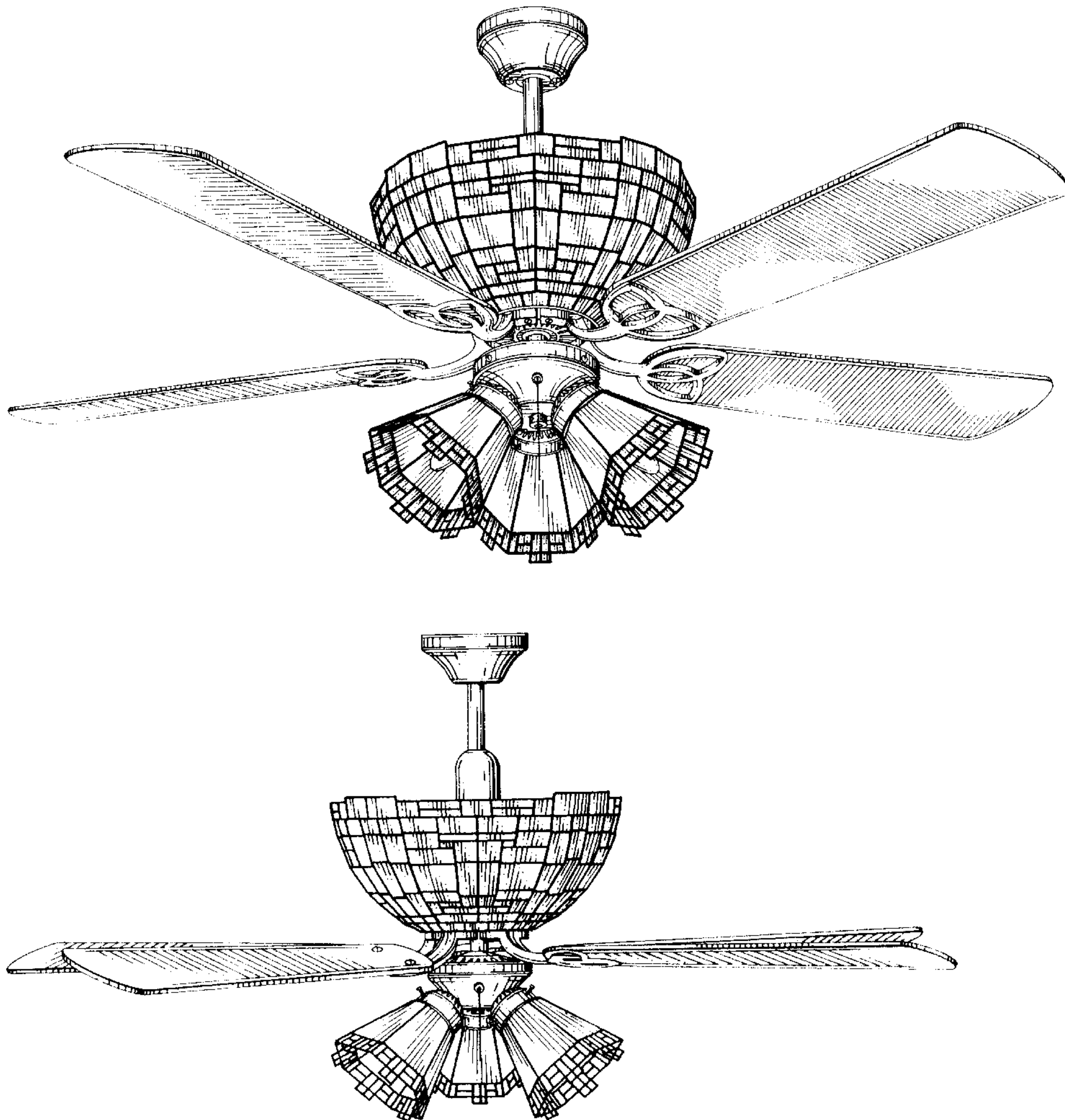
FIG. 3 is a side view of a representative side of the combined ceiling fan and light fixture of FIG. 1;

FIG. 4 is a bottom view of the combined ceiling fan and light fixture of FIG. 1; and,

FIG. 5 is a top view of the combined ceiling fan and light fixture of FIG. 1.

Some of the blades have been shown broken-away in FIGS. 4 and 5 for ease of illustration.

1 Claim, 5 Drawing Sheets



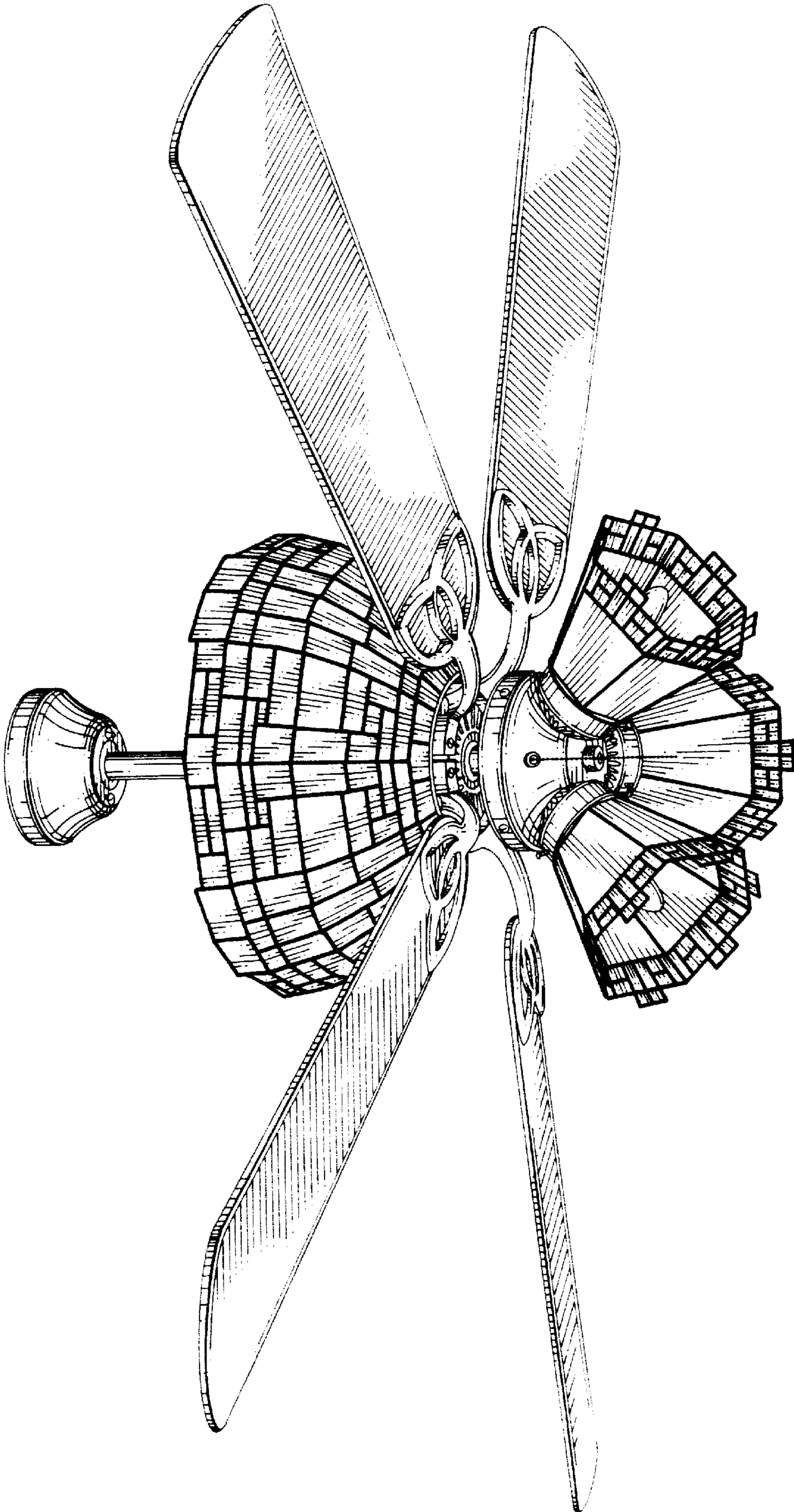


FIG. 1

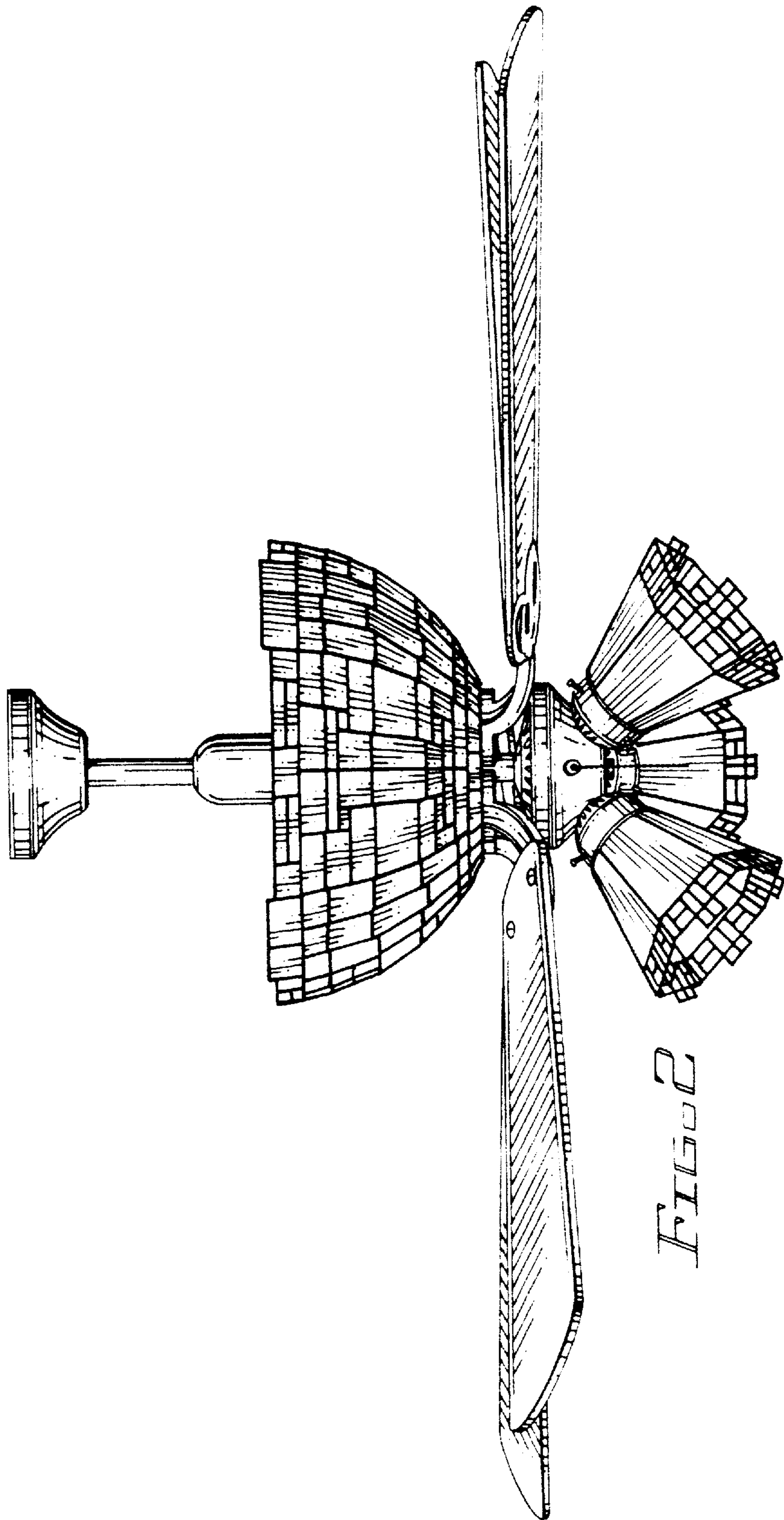
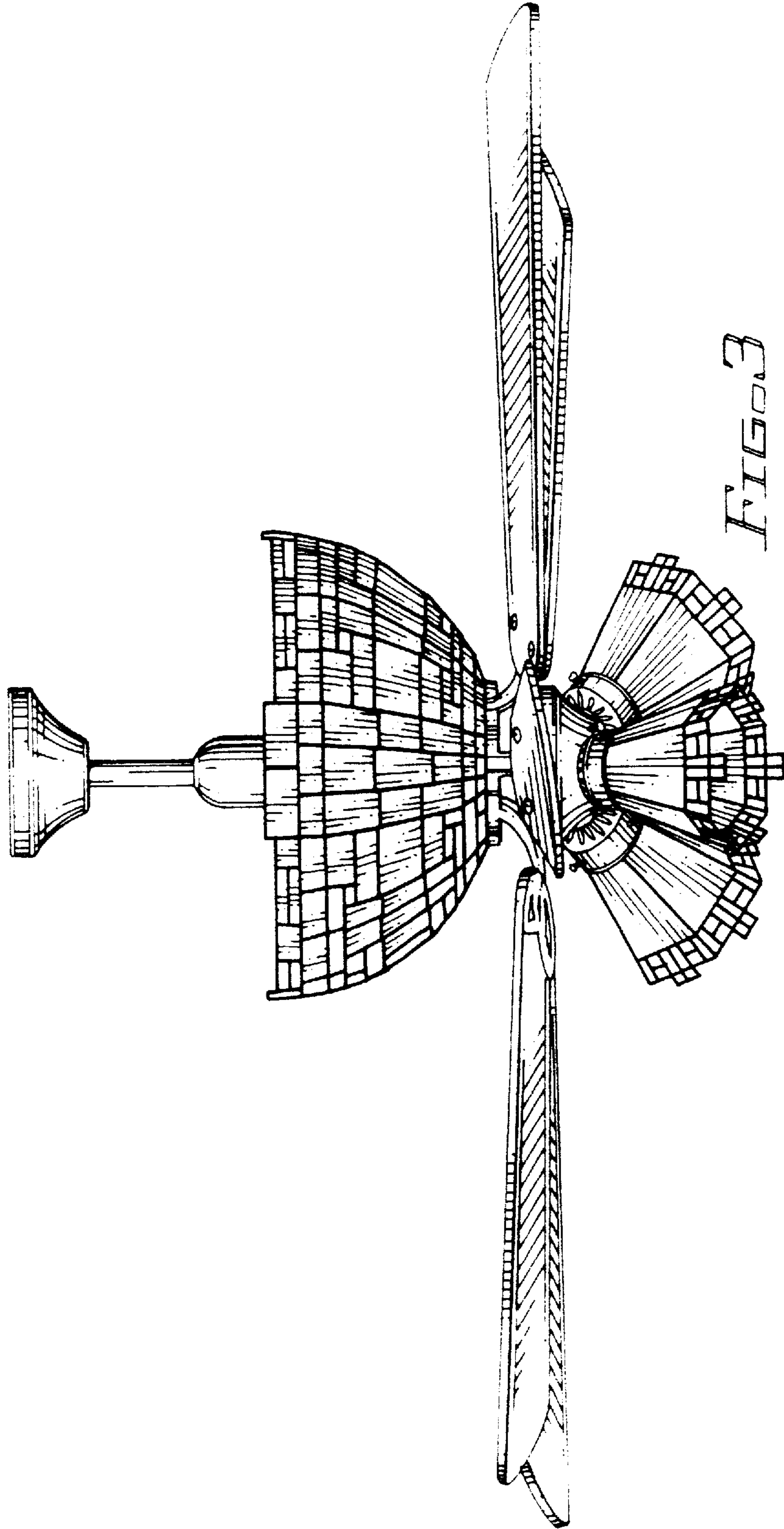


FIG. 2



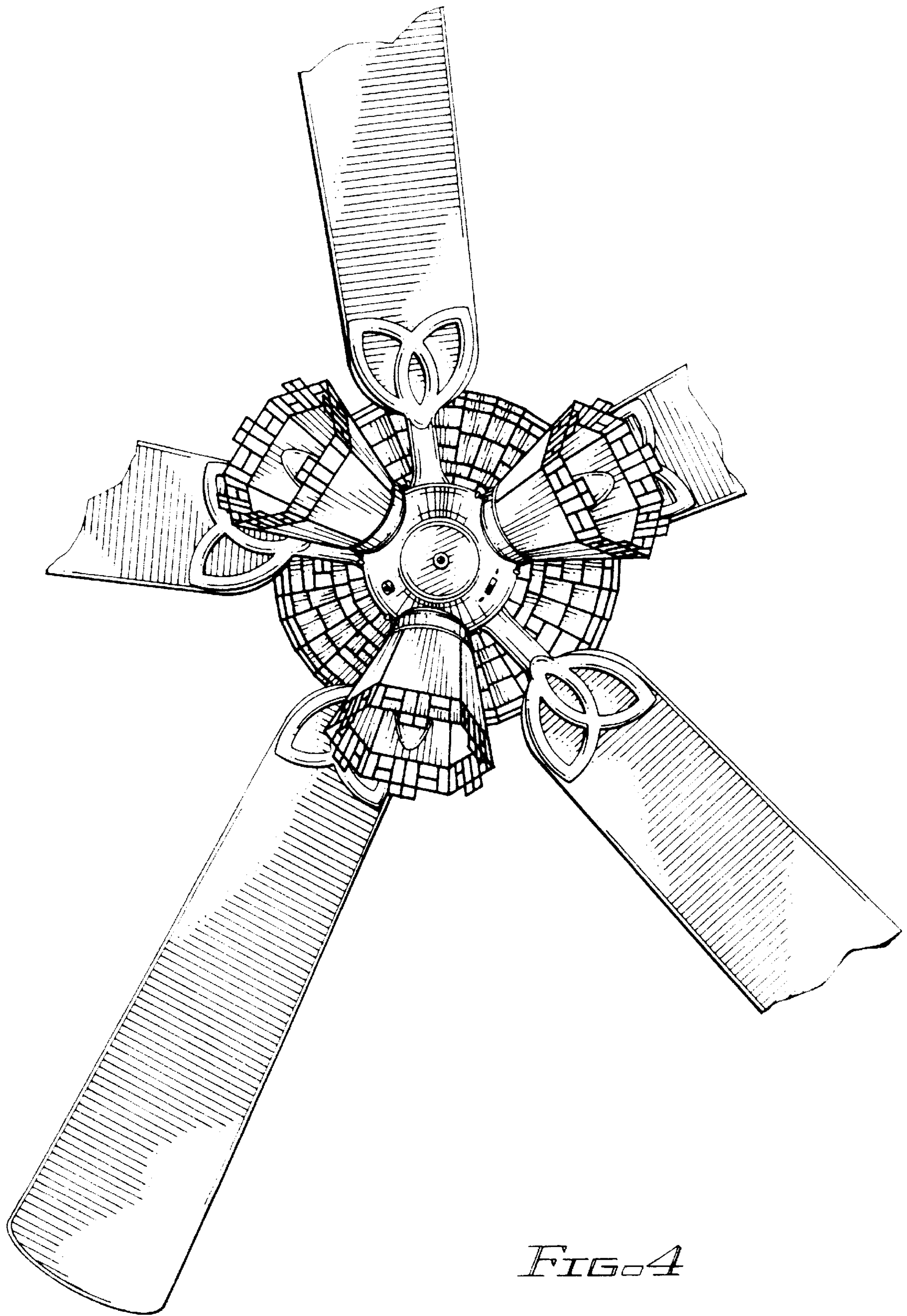


FIG. 4

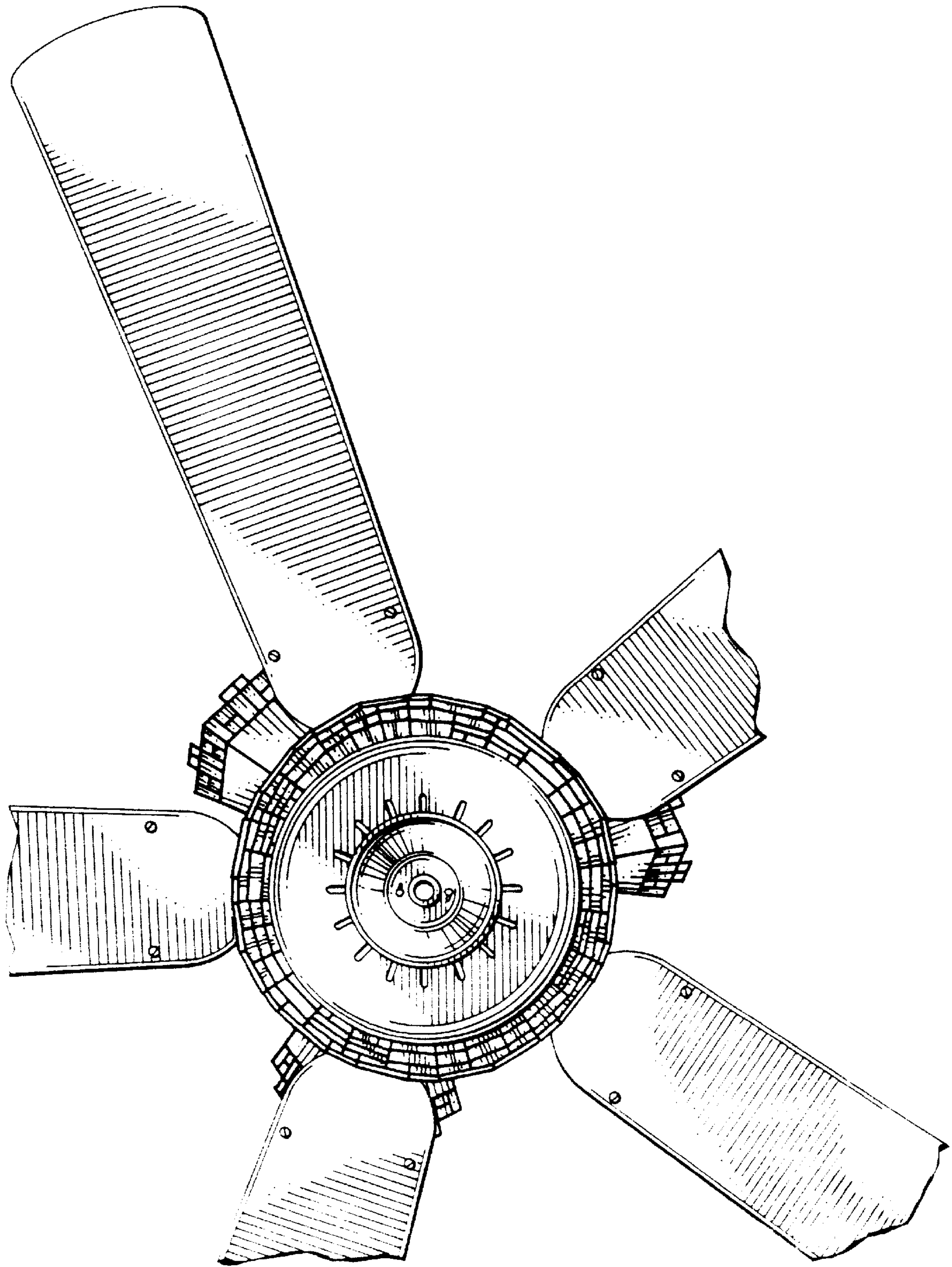


FIG. 5