



US00D398392S

# United States Patent [19] Horng

[11] **Patent Number: Des. 398,392**

[45] **Date of Patent: \*\*Sep. 15, 1998**

[54] **HEAT DISSIPATION FAN**

5,638,895 6/1997 Dodson ..... 165/80.3  
5,689,404 11/1997 Katsui ..... 415/178

[75] Inventor: **Alex Horng**, Kaohsiung, Taiwan

### FOREIGN PATENT DOCUMENTS

[73] Assignee: **Sunonwealth Electric Machine Industry Co. Ltd.**, Taiwan

2230147 10/1990 United Kingdom ..... 361/695

[\*\*] Term: **14 Years**

*Primary Examiner*—Lisa Lichtenstein  
*Attorney, Agent, or Firm*—Cushman Darby & Cushman IP Group of Pillsbury Madison & Sutro LLP

[21] Appl. No.: **77,603**

### [57] CLAIM

[22] Filed: **Oct. 7, 1997**

I claim the ornamental design for a heat dissipation fan, as shown.

[51] **LOC (6) Cl.** ..... **23-04**

### DESCRIPTION

[52] **U.S. Cl.** ..... **D23/370; D14/114**

[58] **Field of Search** ..... D23/370; 415/176, 415/177, 178, 211.2; 361/697, 695; 165/80.3, 121; D14/114

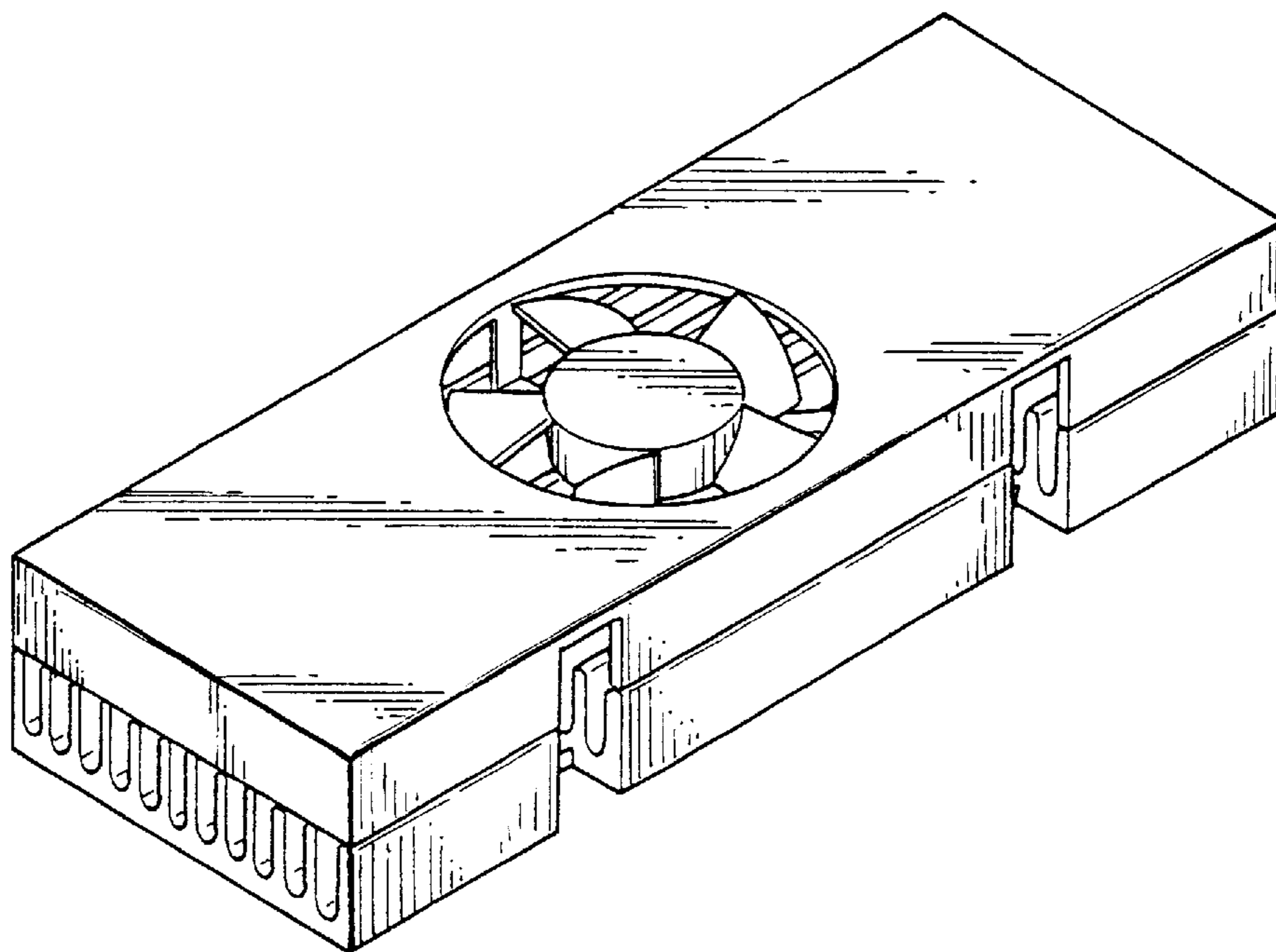
FIG. 1 is a perspective view of the heat dissipation fan showing my new design;  
FIG. 2 is a top plan view thereof;  
FIG. 3 is a right side elevational view thereof;  
FIG. 4 is a front elevational view thereof;  
FIG. 5 is a rear elevational view thereof;  
FIG. 6 is a left side elevational view thereof; and,  
FIG. 7 is a bottom plan view thereof.

### [56] References Cited

#### U.S. PATENT DOCUMENTS

5,079,438 1/1992 Heung ..... 361/695  
5,288,203 2/1994 Thomas ..... 415/176  
5,309,983 5/1994 Bailey ..... 165/80.3  
5,582,506 12/1996 Hong ..... 415/177

**1 Claim, 4 Drawing Sheets**



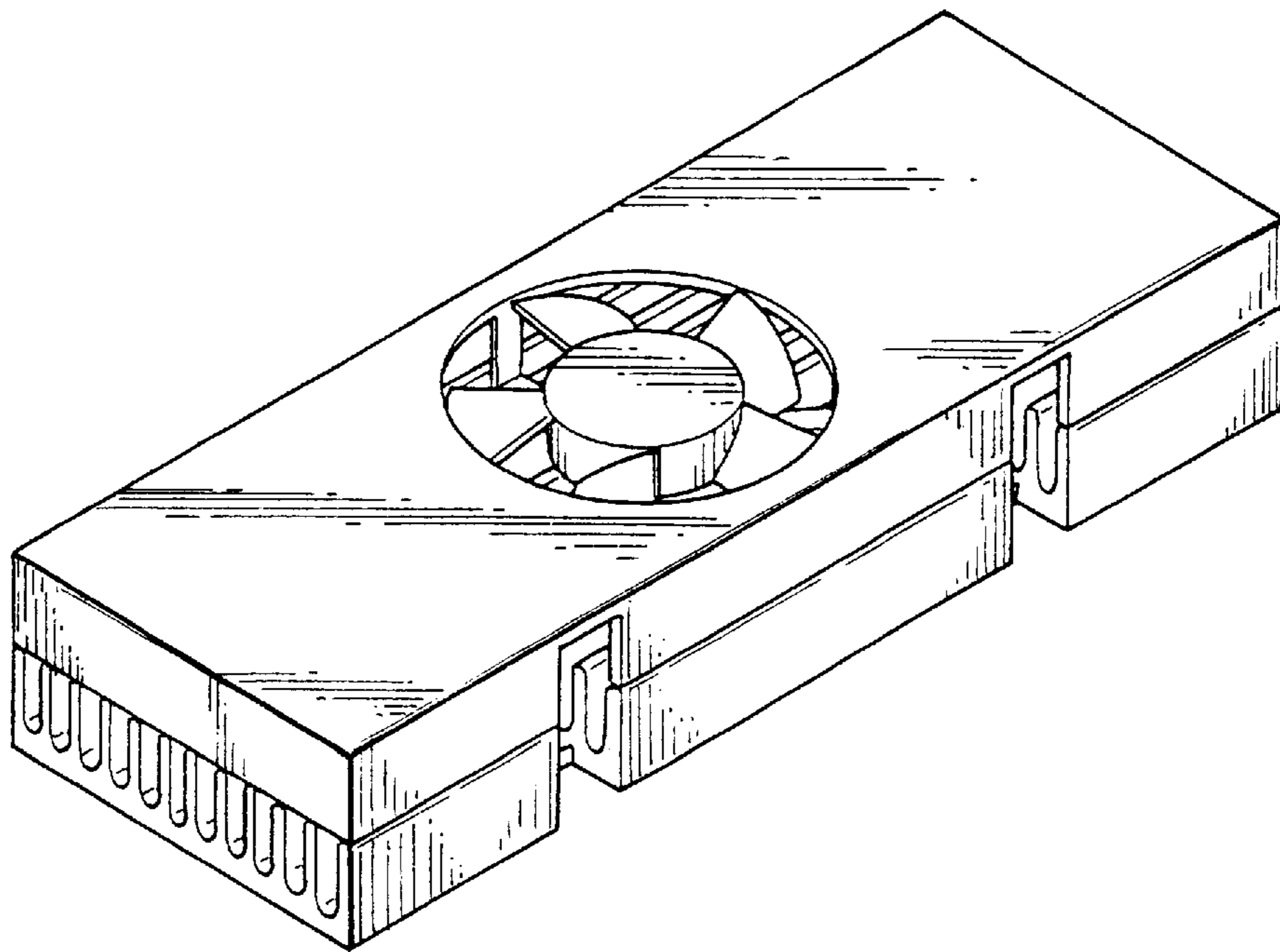


FIG.1

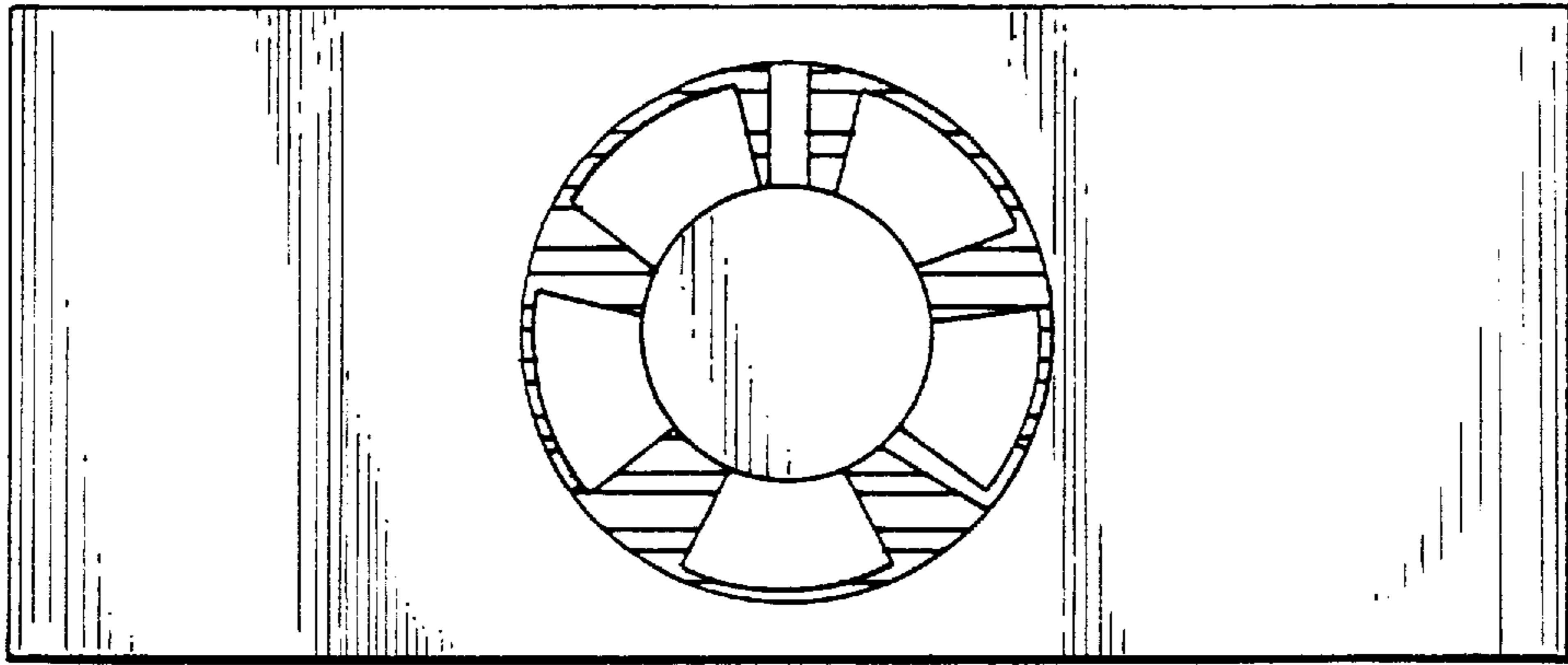


FIG. 2

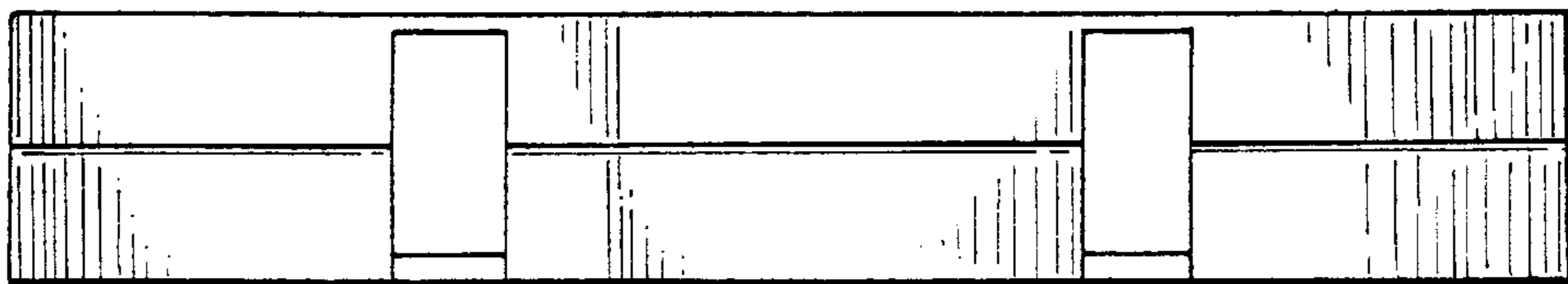


FIG. 3

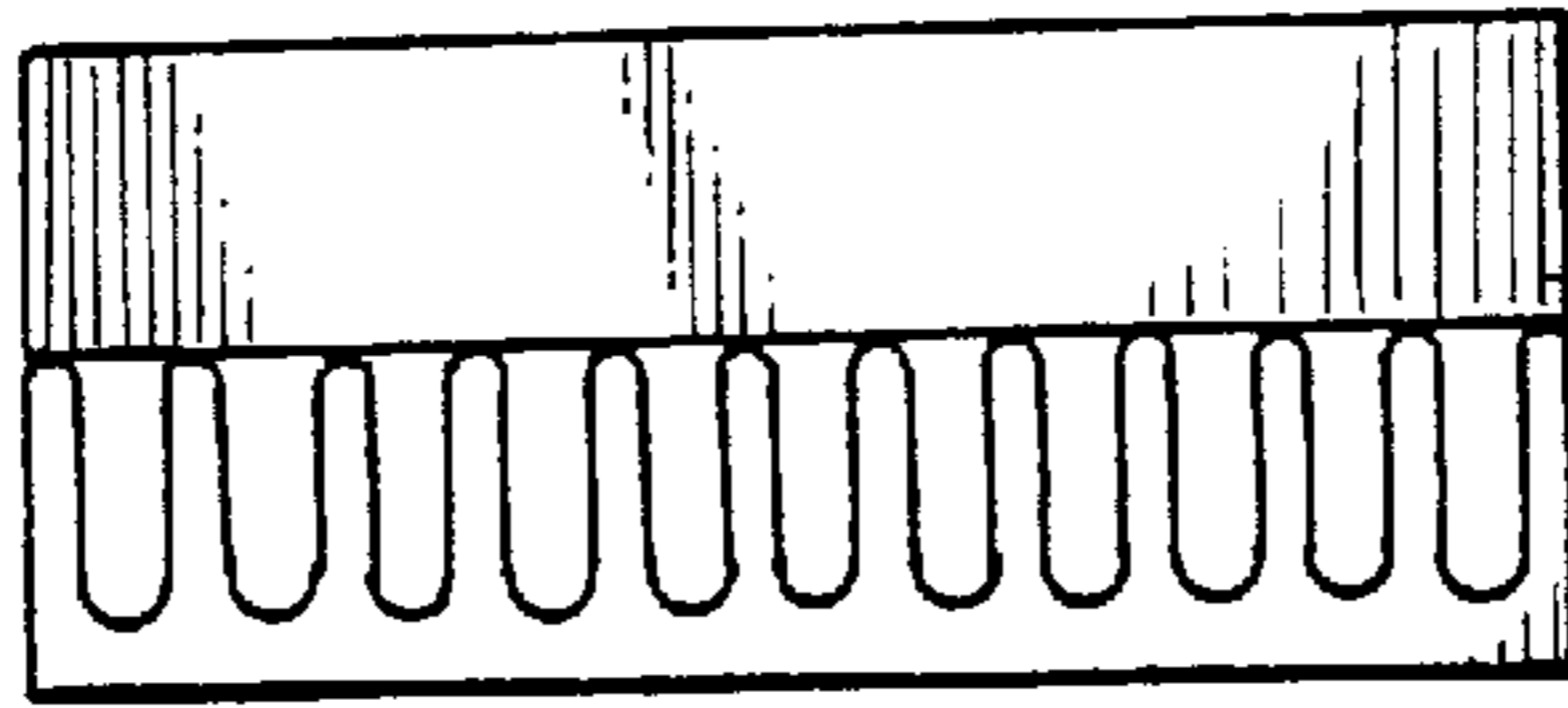


FIG. 4

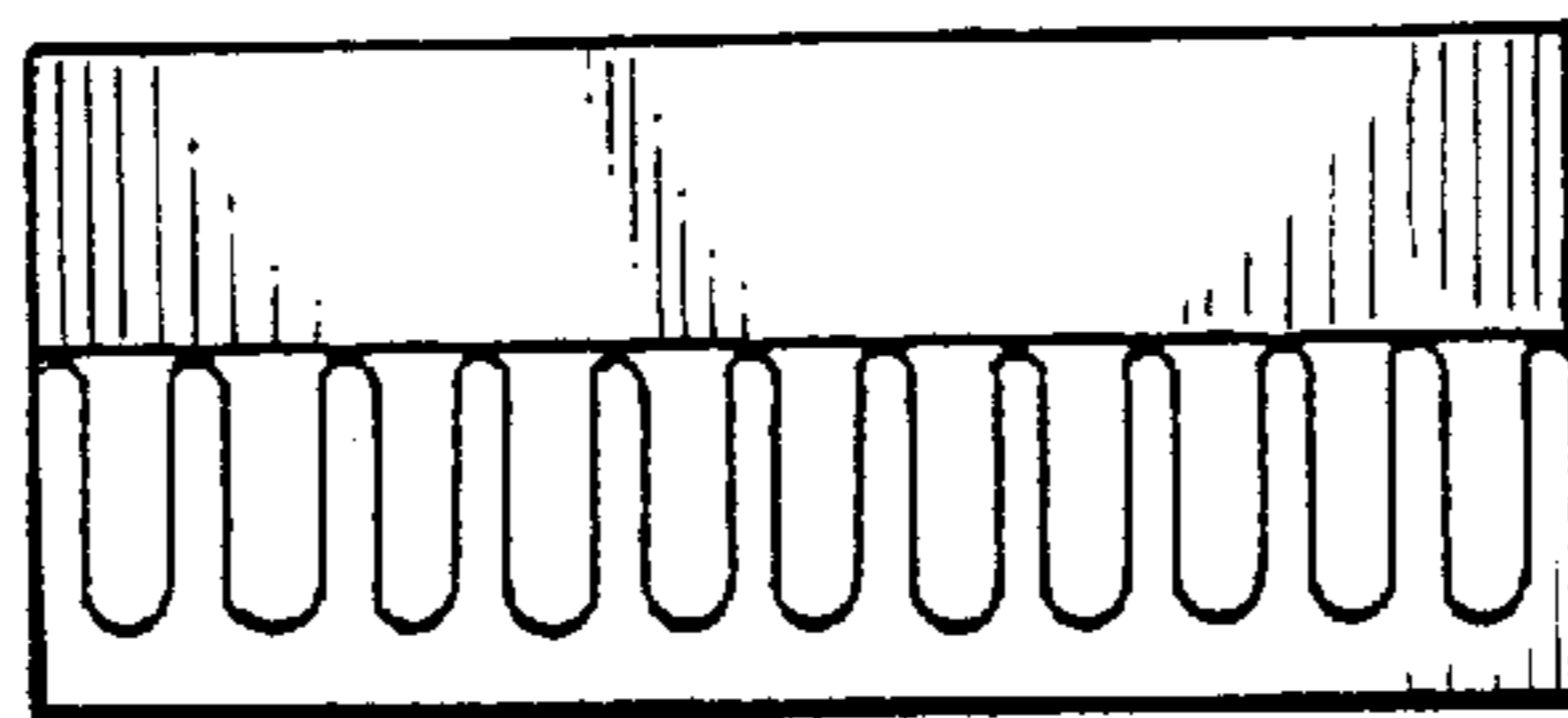


FIG. 5

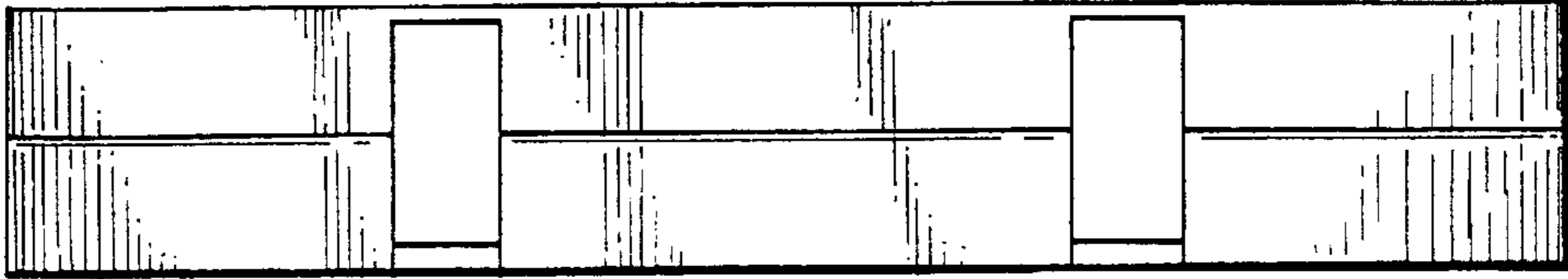


FIG. 6

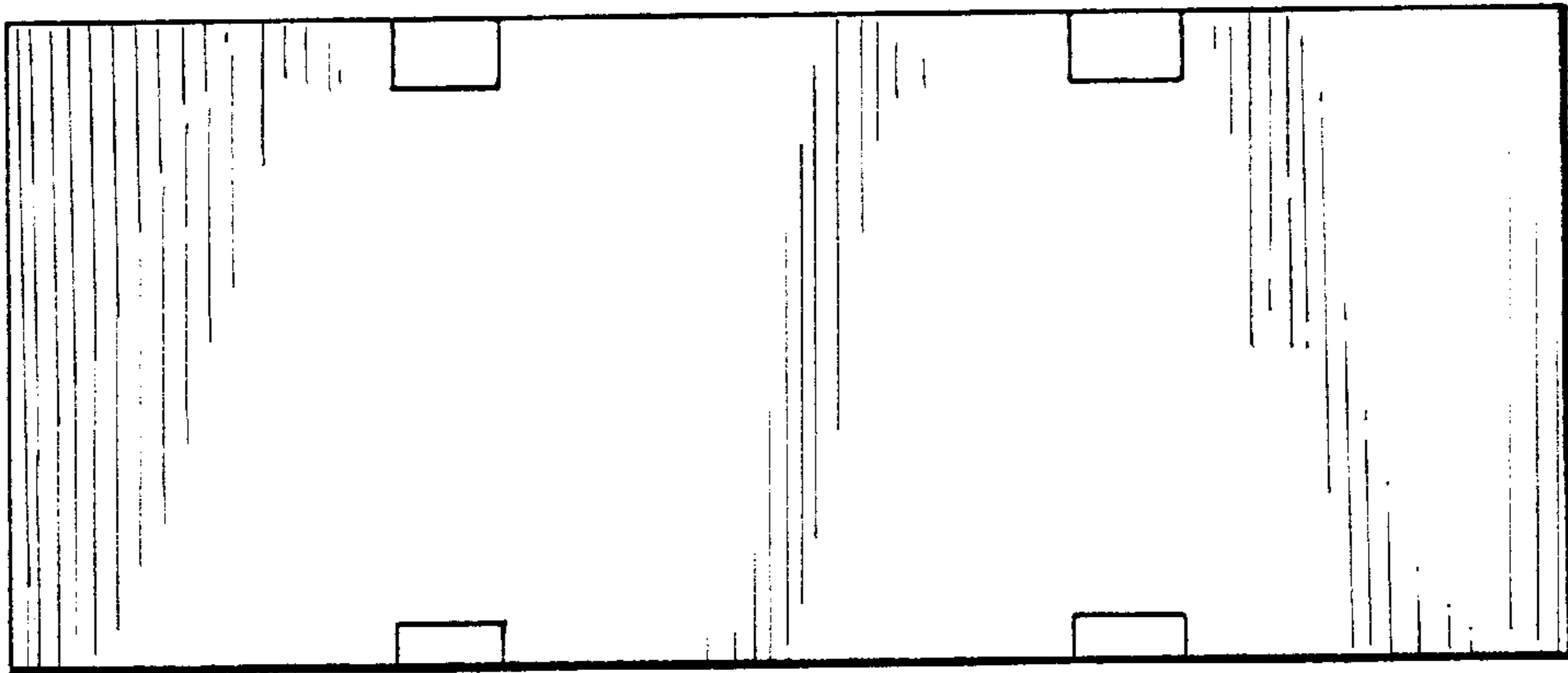


FIG. 7