



US00D398385S

**United States Patent** [19]  
**Martin**

[11] **Patent Number: Des. 398,385**  
[45] **Date of Patent: \*\*Sep. 15, 1998**

- [54] **PRESSURIZED VESSEL FOR A WATER CLOSET FLUSHING SYSTEM**
- [75] Inventor: **Raymond Bruce Martin**, Bloomfield Hills, Mich.
- [73] Assignee: **W/C Technology Corporation**, Troy, Mich.
- [\*\*] Term: **14 Years**
- [21] Appl. No.: **68,215**
- [22] Filed: **Mar. 20, 1997**
- [51] **LOC (6) Cl.** ..... **23-02**
- [52] **U.S. Cl.** ..... **D23/309**
- [58] **Field of Search** ..... D23/303, 309; 4/313, 354, 361, 362, 379, 407, 415, DIG. 3

5,553,333 9/1996 Andersson ..... 4/354  
5,603,127 2/1997 Veol ..... 4/246.1

*Primary Examiner*—Louis S. Zarfes  
*Assistant Examiner*—Eric Watterson  
*Attorney, Agent, or Firm*—Lyon, P.C.

[57] **CLAIM**

The ornamental design for a pressurized vessel for a water closet flushing system, as shown.

**DESCRIPTION**

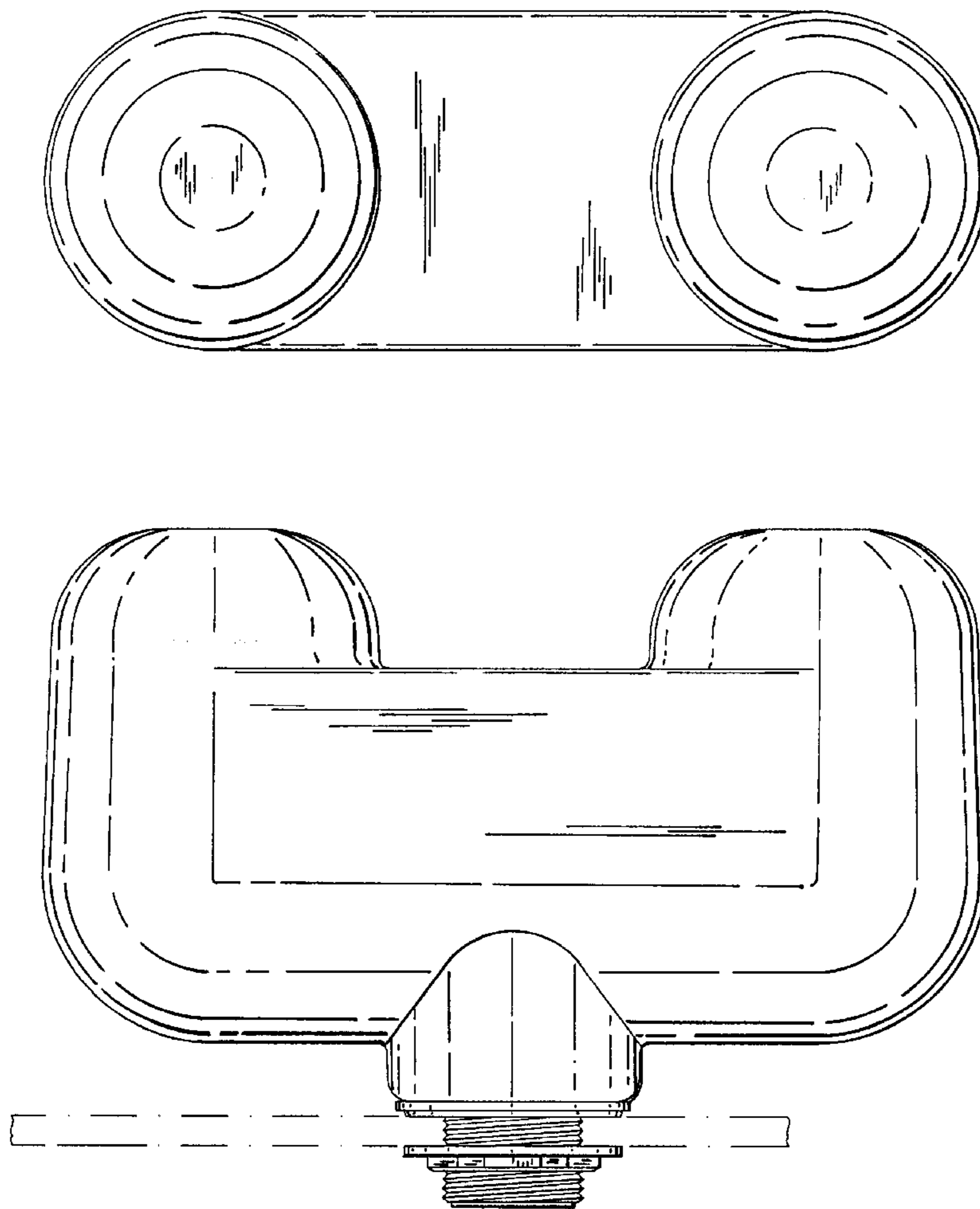
FIG. 1 is a top plan view of the pressurized vessel for a water closet flushing system in accordance with the present invention;  
FIG. 2 is a front view of the pressurized vessel of FIG. 1;  
FIG. 3 is a bottom plan view of the pressurized vessel of FIG. 1;  
FIG. 4 is the pressurized vessel of FIG. 1 as seen from the left hand side of FIG. 2;  
FIG. 5 is the pressurized vessel of FIG. 1 as seen from the right hand side of FIG. 2; and,  
FIG. 6 is a rear view of the pressurized vessel of FIG. 1.  
The broken lines shown in the drawings are for illustrative purposes only and form no part of the claimed design.

[56] **References Cited**

**U.S. PATENT DOCUMENTS**

- D. 382,941 8/1997 Dortier ..... D23/303
- D. 382,948 8/1997 Veol ..... D23/303
- 5,136,732 8/1992 Andersson ..... 4/354
- 5,361,426 11/1994 Martin ..... 4/361
- 5,363,513 11/1994 Blankenbenburg ..... 4/354

**1 Claim, 2 Drawing Sheets**



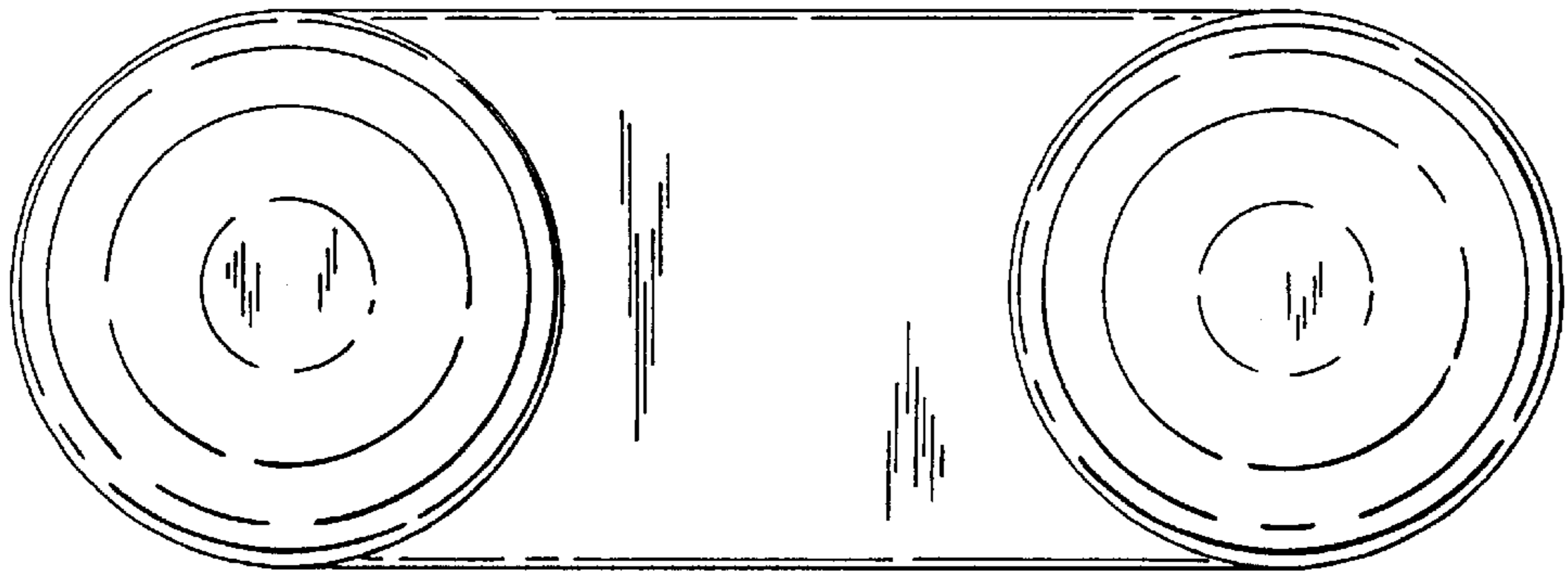


FIG. 1.

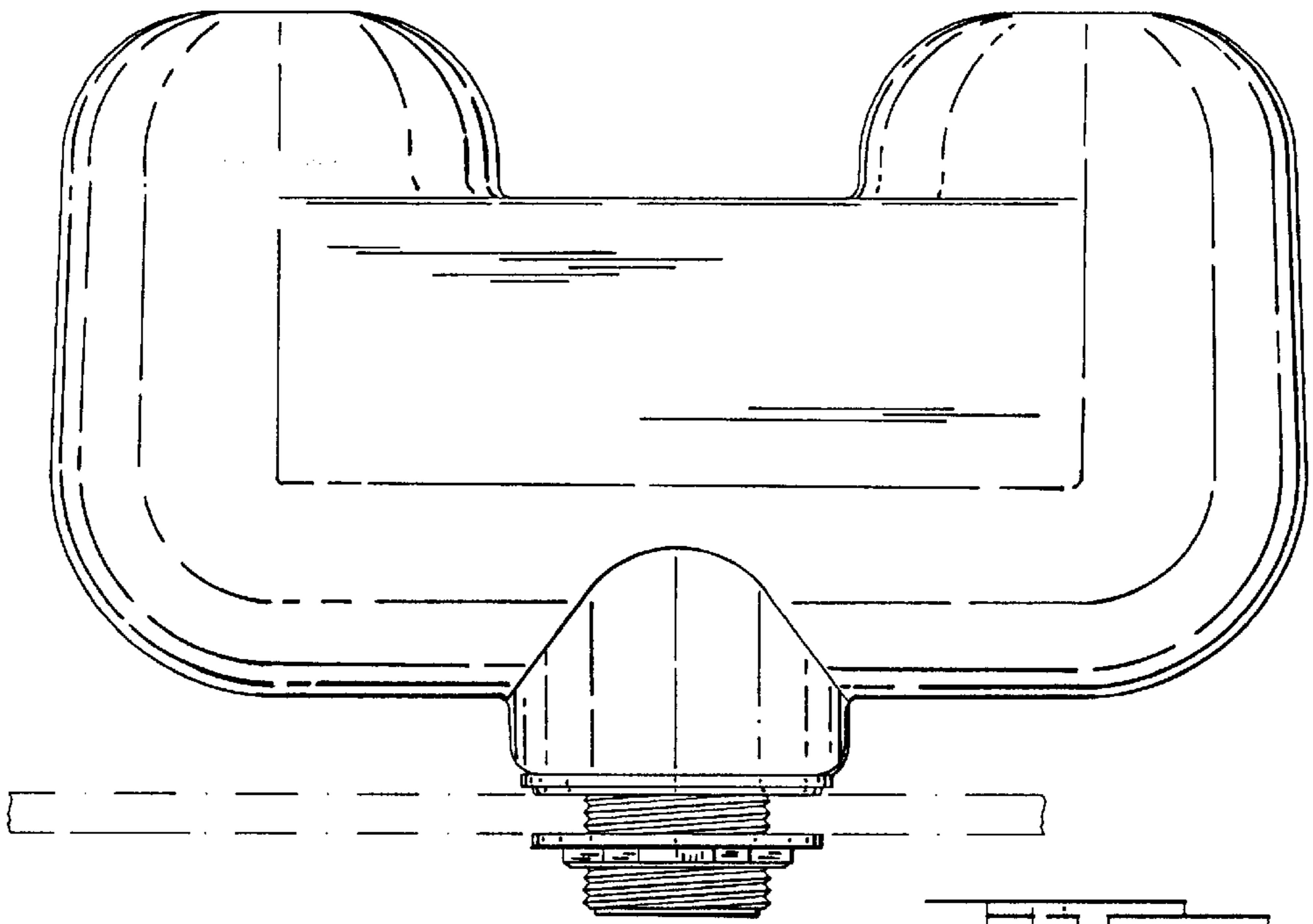


FIG. 2.

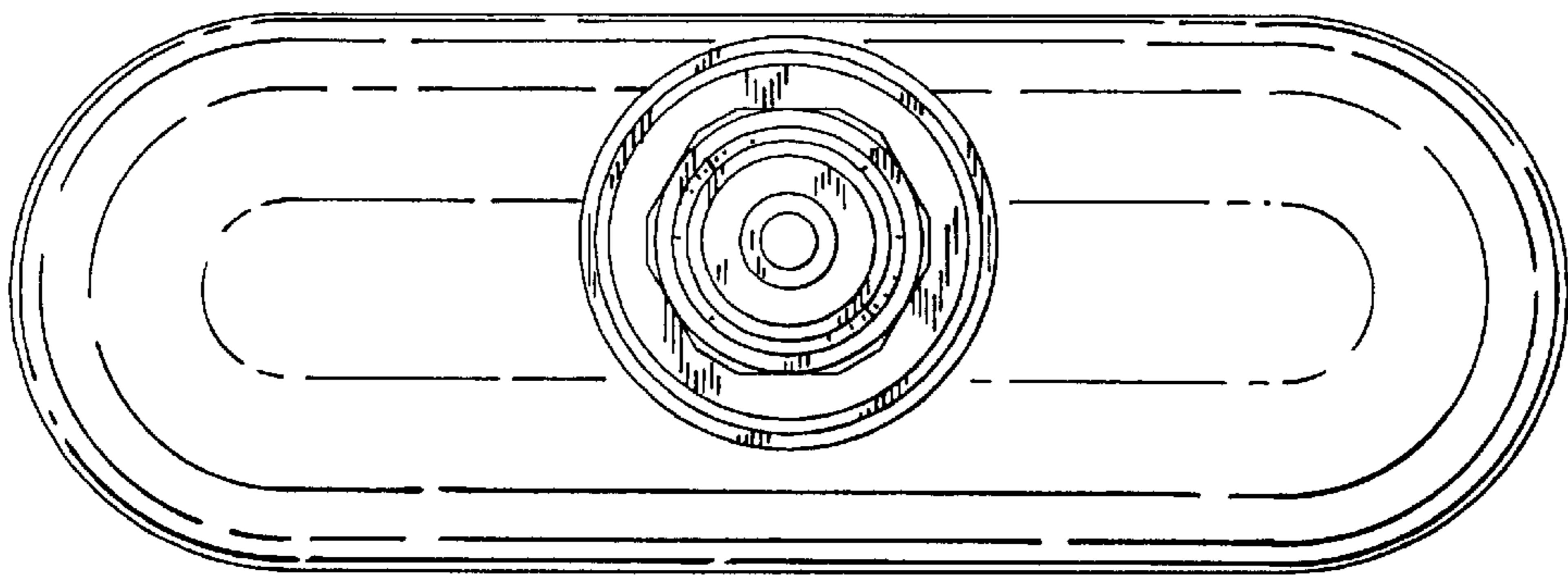


FIG. 3.

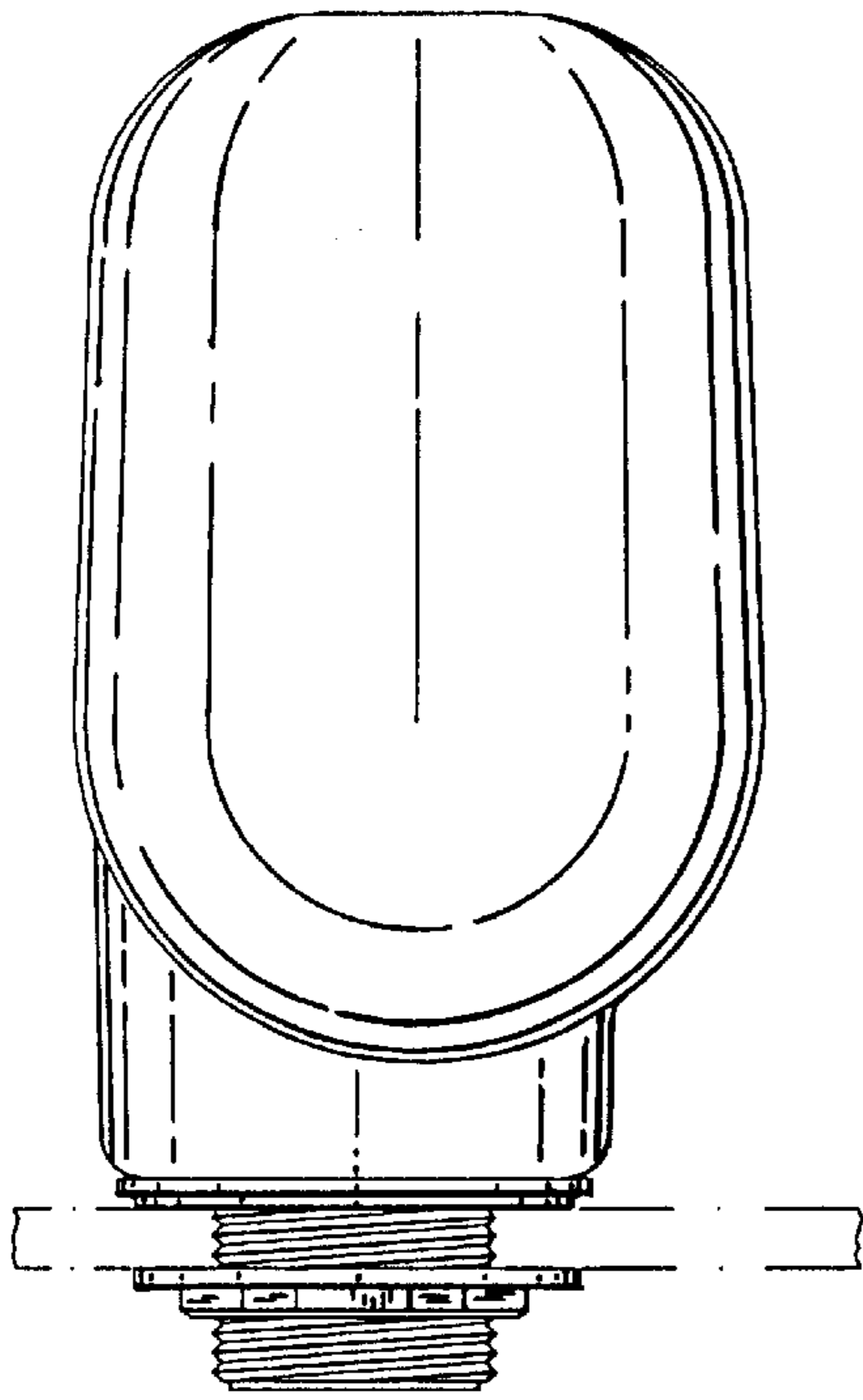


FIG. 4.

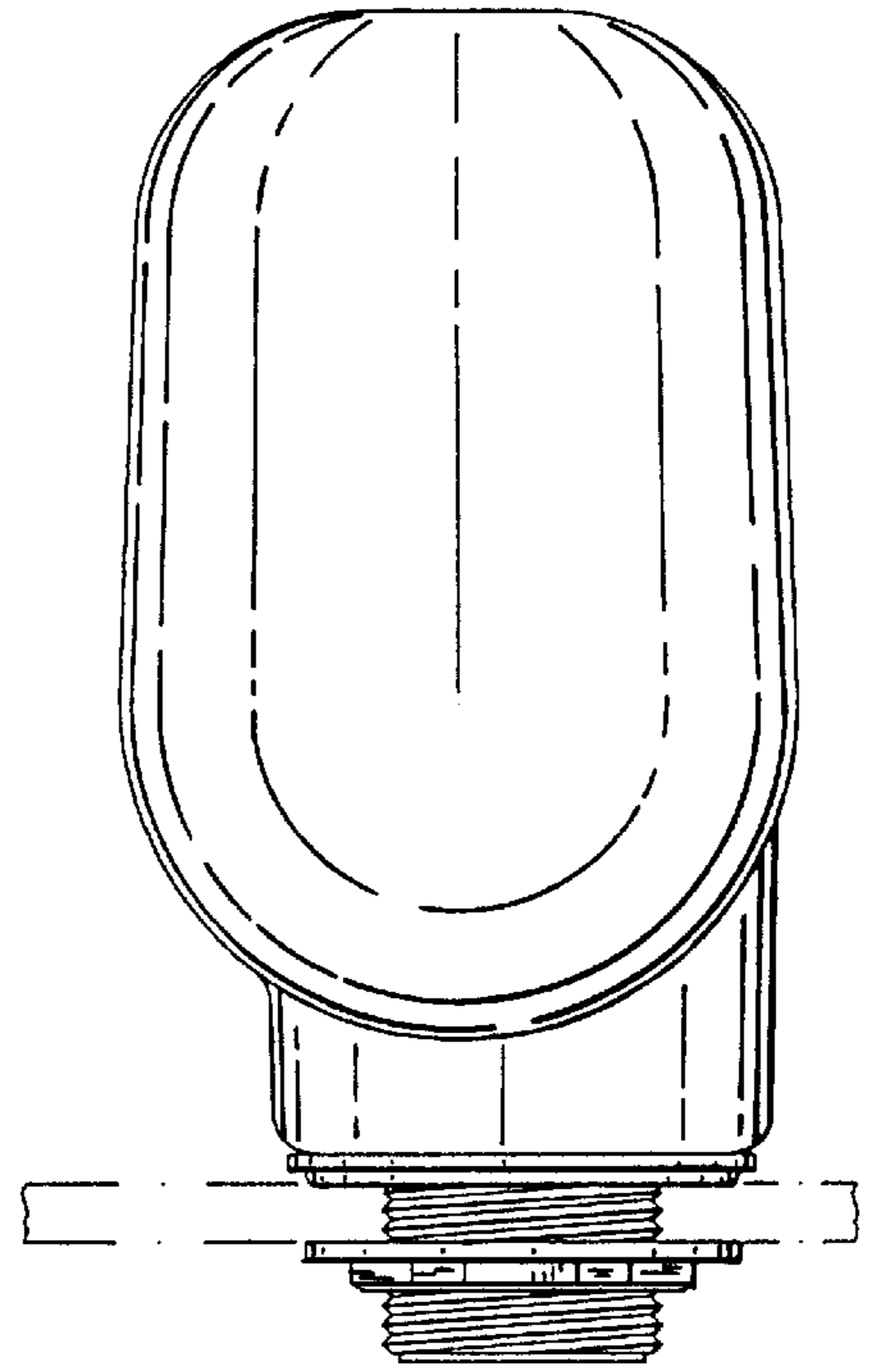


FIG. 5.

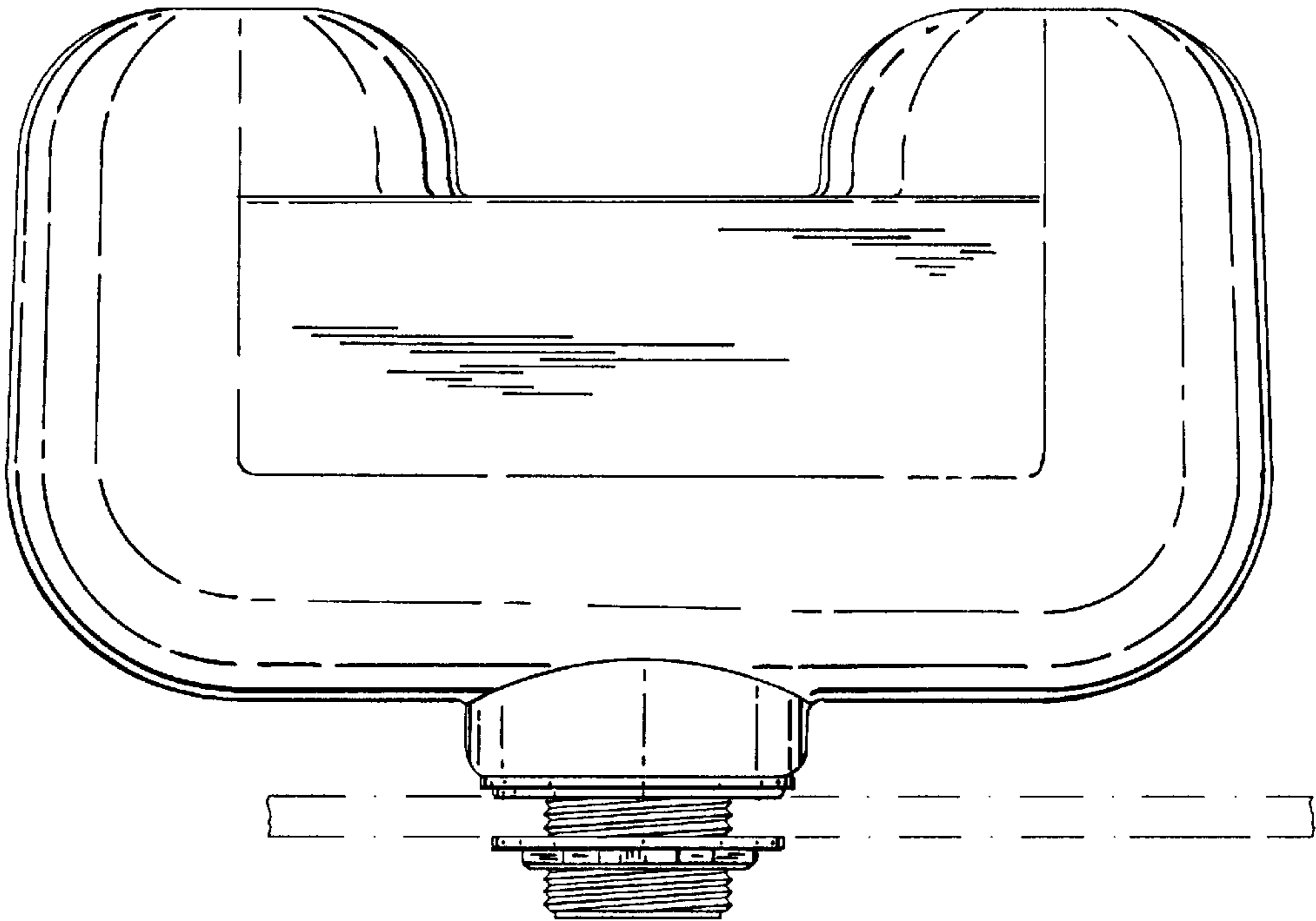


FIG. 6.