



US00D398381S

**United States Patent** [19]  
**Singla Palacin**

[11] **Patent Number: Des. 398,381**  
[45] **Date of Patent: \*\*Sep. 15, 1998**

[54] **BATHTUB**

D. 358,456 5/1995 Patterson ..... D23/277

[75] Inventor: **Jaime Singla Palacin**, Gava, Spain

*Primary Examiner*—Louis S. Zarfes  
*Assistant Examiner*—Eric Watterson  
*Attorney, Agent, or Firm*—Jacobson, Price, Holman & Stern, PLLC

[73] Assignee: **Compania Roca Radiadores, S.A.**,  
Gava, Spain

[\*\*] Term: **14 Years**

[57] **CLAIM**

[21] Appl. No.: **62,752**

The ornamental design for the bathtub, as shown and described.

[22] Filed: **Nov. 22, 1996**

**DESCRIPTION**

[30] **Foreign Application Priority Data**

May 23, 1996 [ES] Spain ..... 137556A

FIG. 1 is a front perspective view of the bathtub embodying my design;  
FIG. 2 is a right side elevational view of FIG. 1;  
FIG. 3 is a top plan view of FIG. 1;  
FIG. 4 is a cross-sectional view taken along line 4—4 of FIG. 3;  
FIG. 5 is a cross-sectional view taken along line 5—5 of FIG. 3;  
FIG. 6 is a left side elevational view of FIG. 1;  
FIG. 7 is a front view of FIG. 1;  
FIG. 8 is a rear view of FIG. 1; and,  
FIG. 9 is a lower bottom of FIG. 1.

[51] **LOC (6) Cl.** ..... **23-02**

[52] **U.S. Cl.** ..... **D23/277**

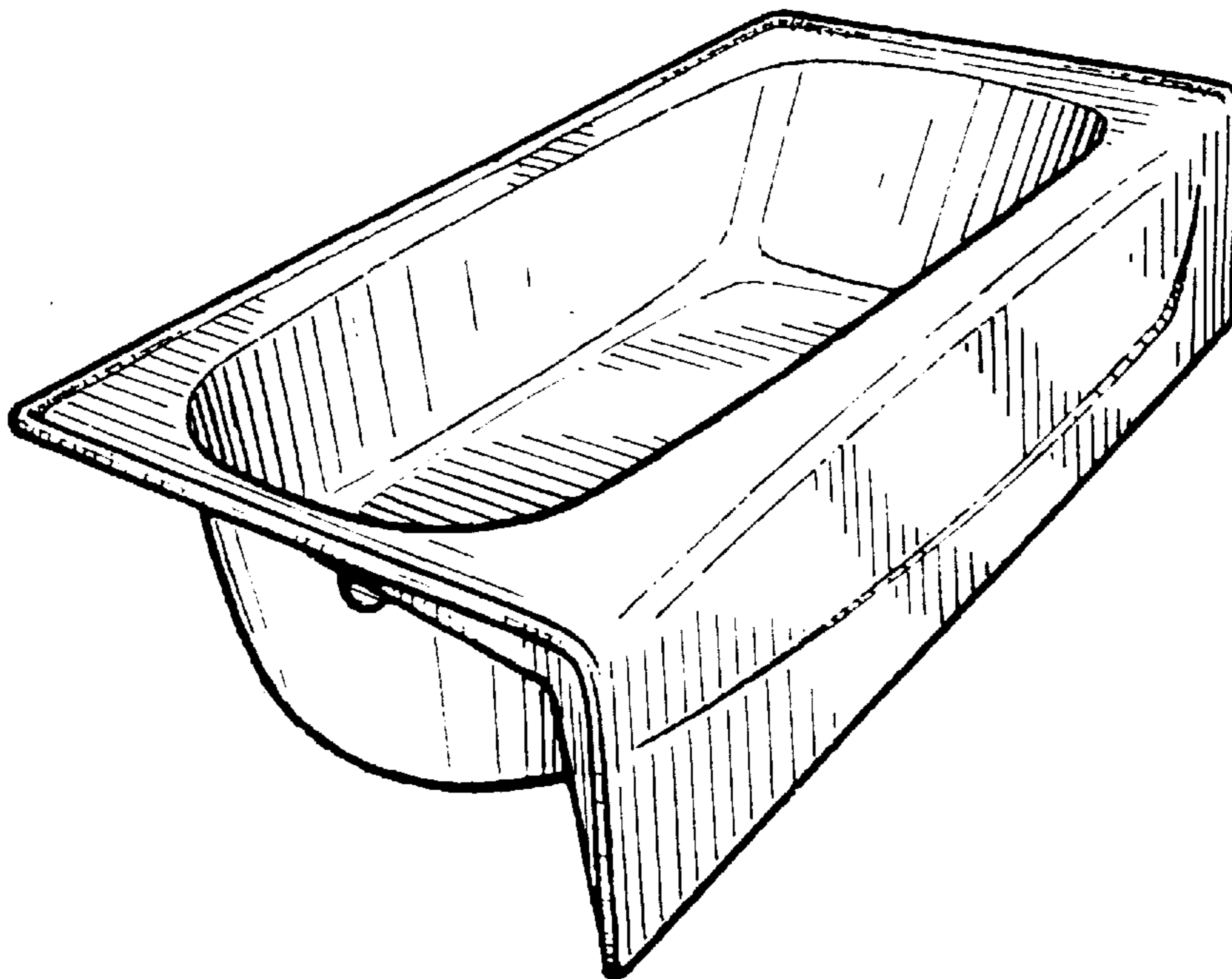
[58] **Field of Search** ..... D23/277-280.4;  
4/538, 539, 546, 548, 551, 589, 584, 590

[56] **References Cited**

**U.S. PATENT DOCUMENTS**

- D. 331,622 12/1992 Dannenberg ..... D23/277
- D. 337,324 7/1993 Stairs, Jr. .... D23/277
- D. 350,185 8/1994 Clark et al. .... D23/277

**1 Claim, 2 Drawing Sheets**



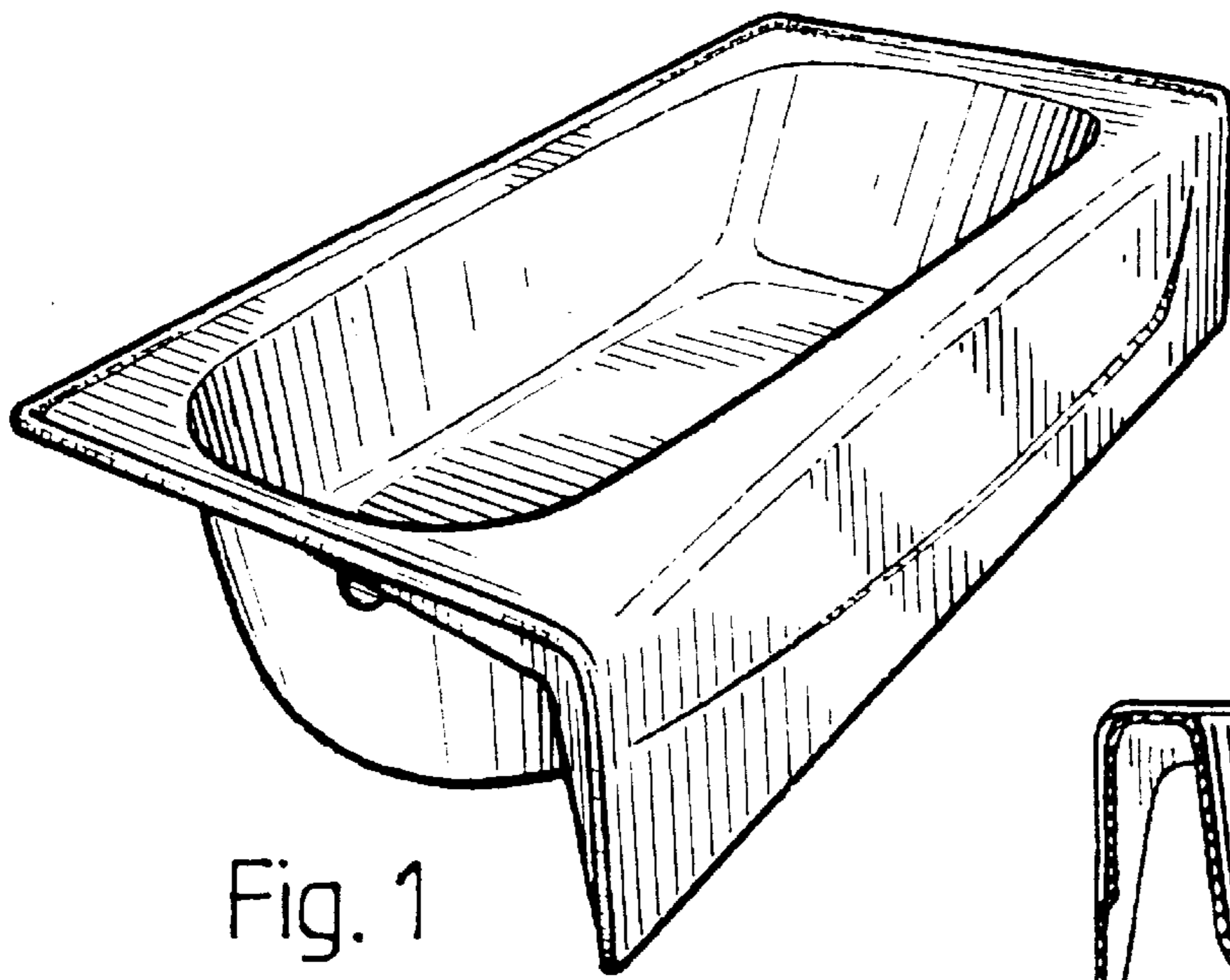


Fig. 1

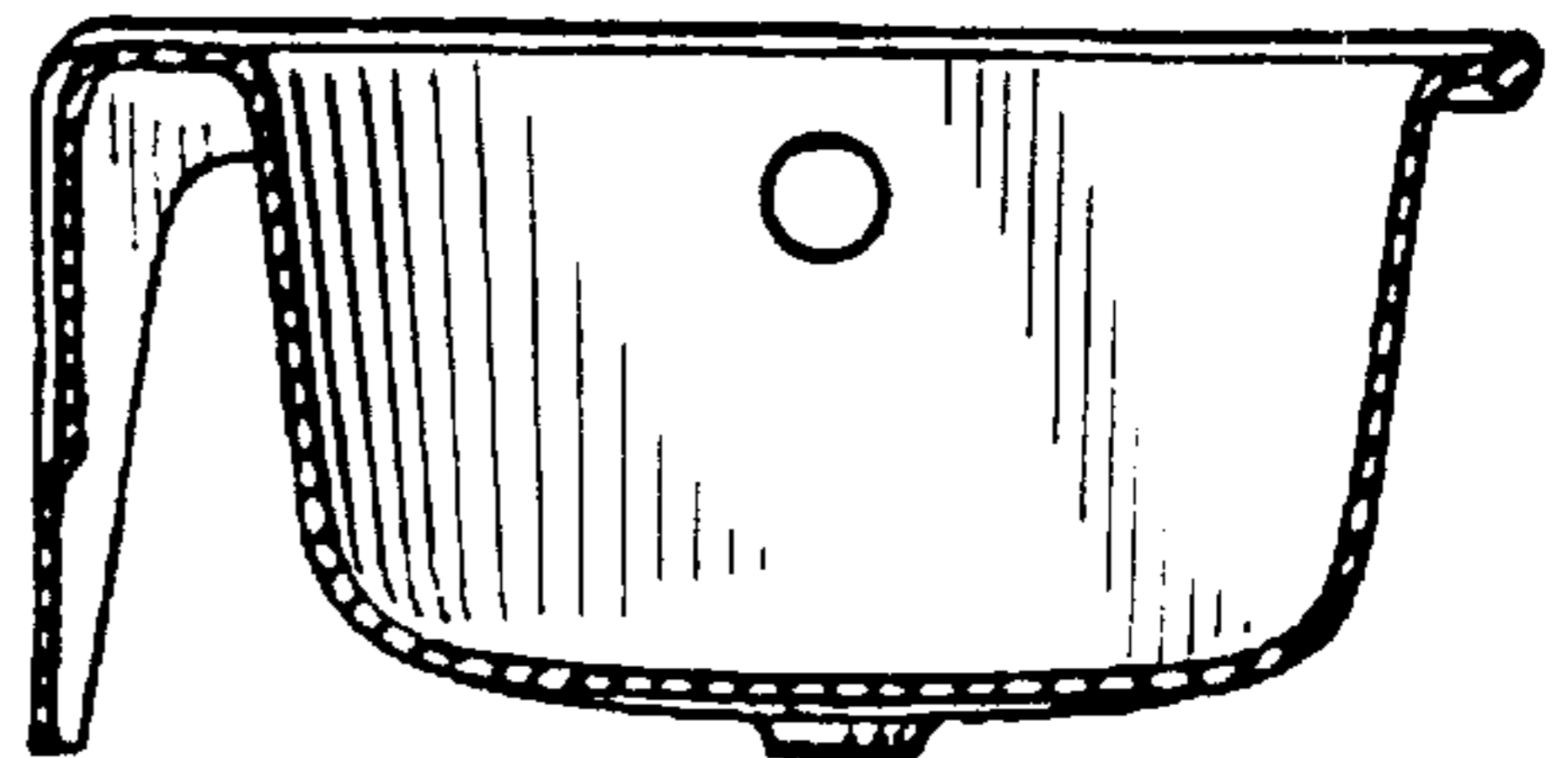


Fig. 4

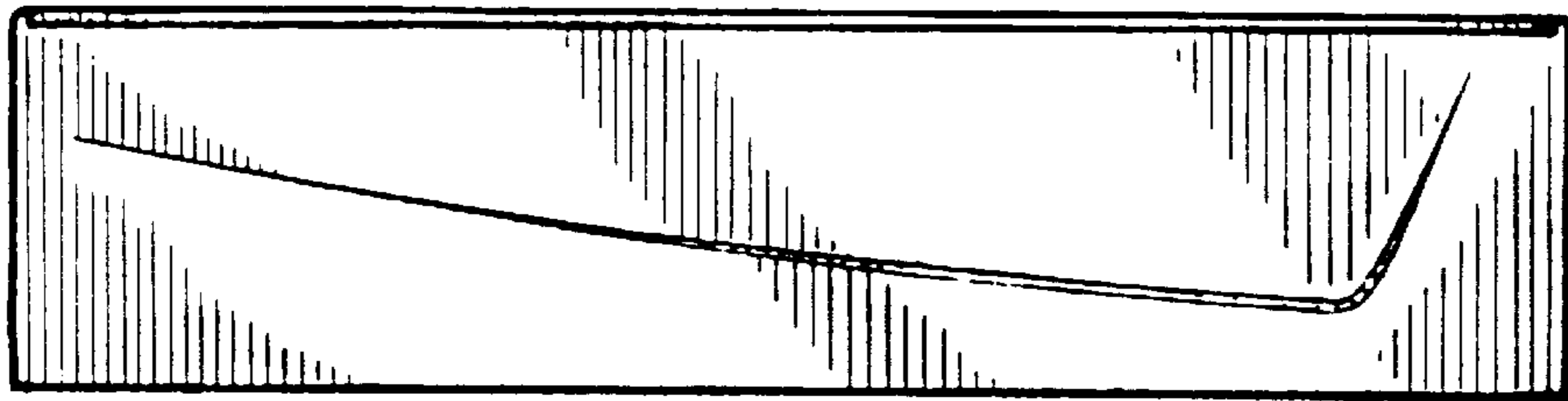


Fig. 2

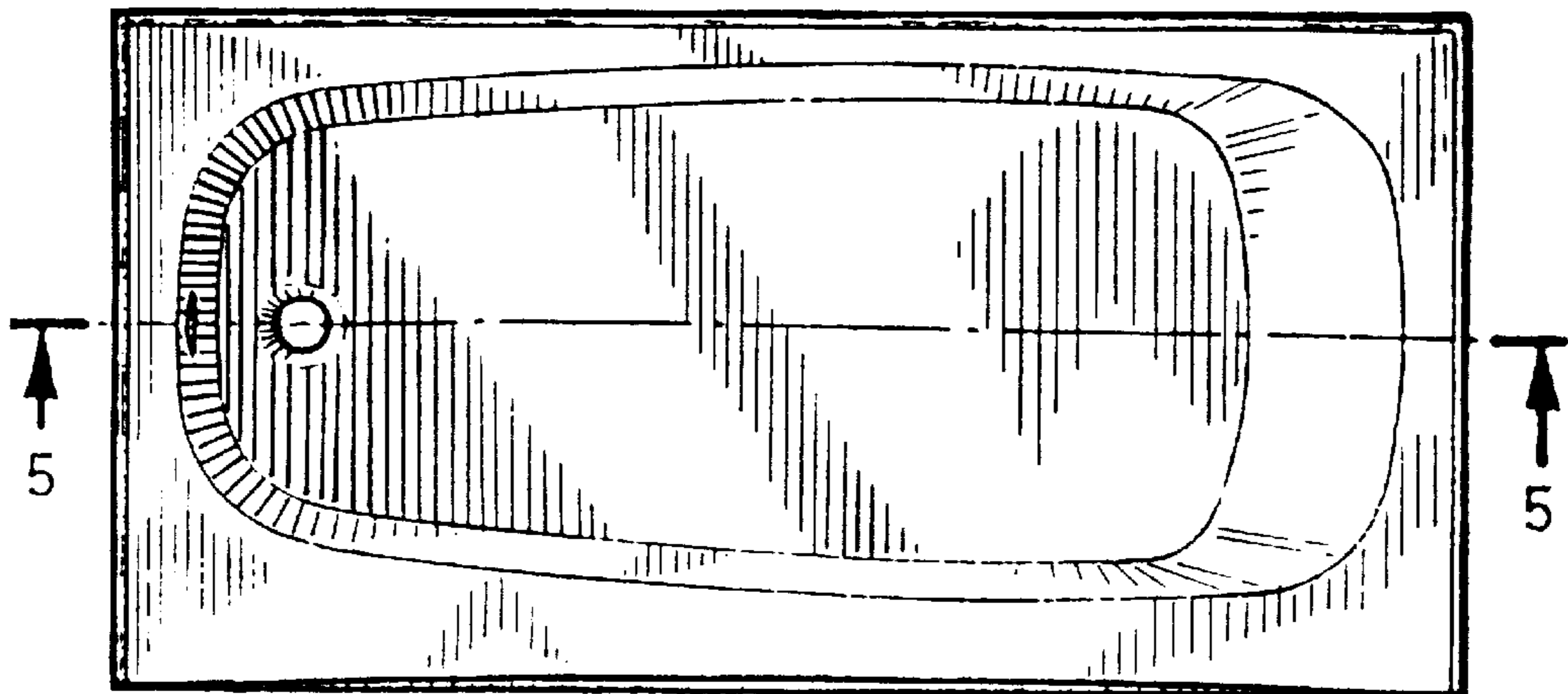


Fig. 3



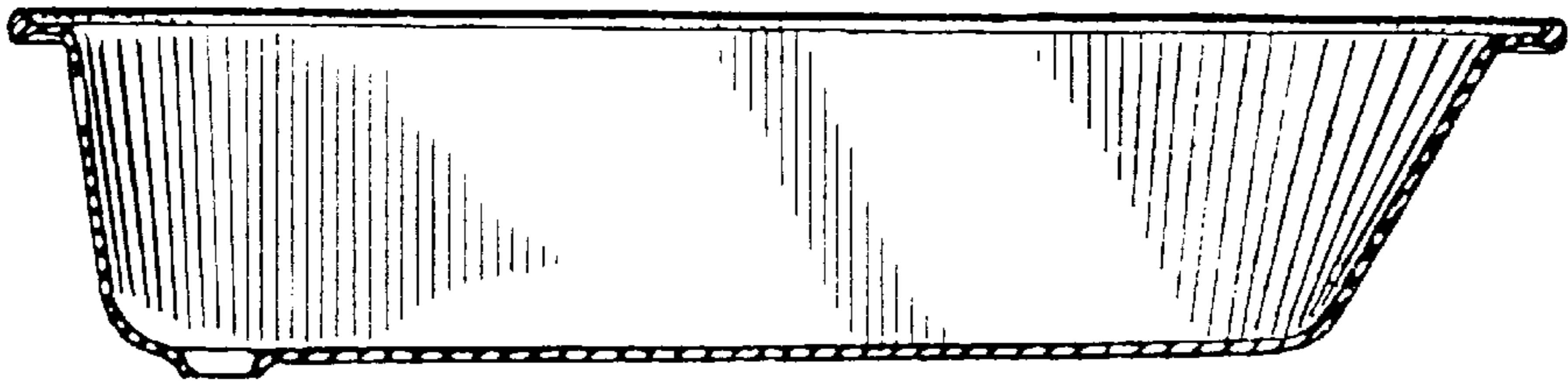


Fig. 5

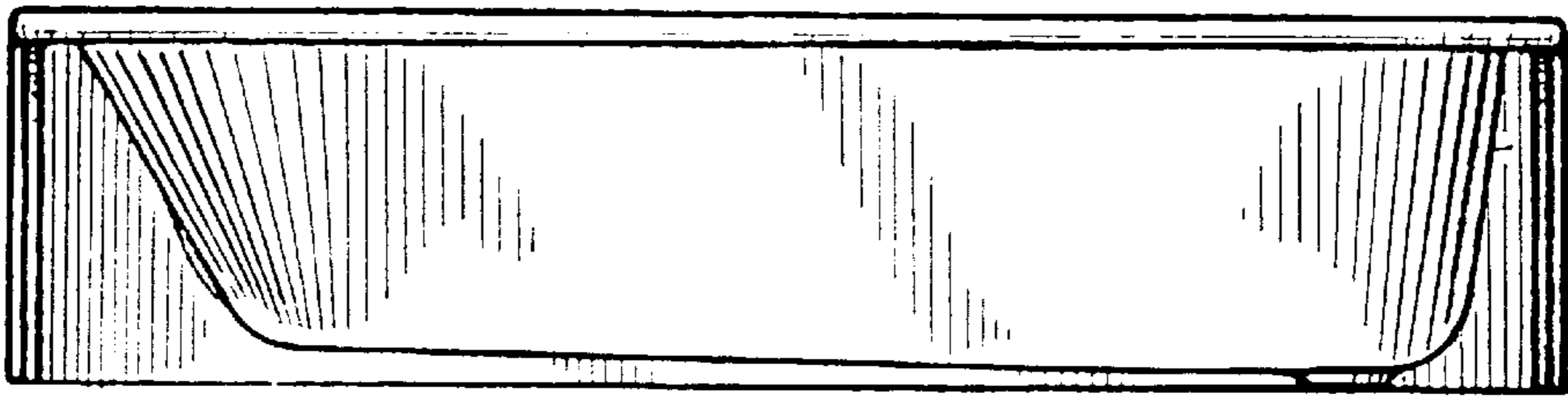


Fig. 6

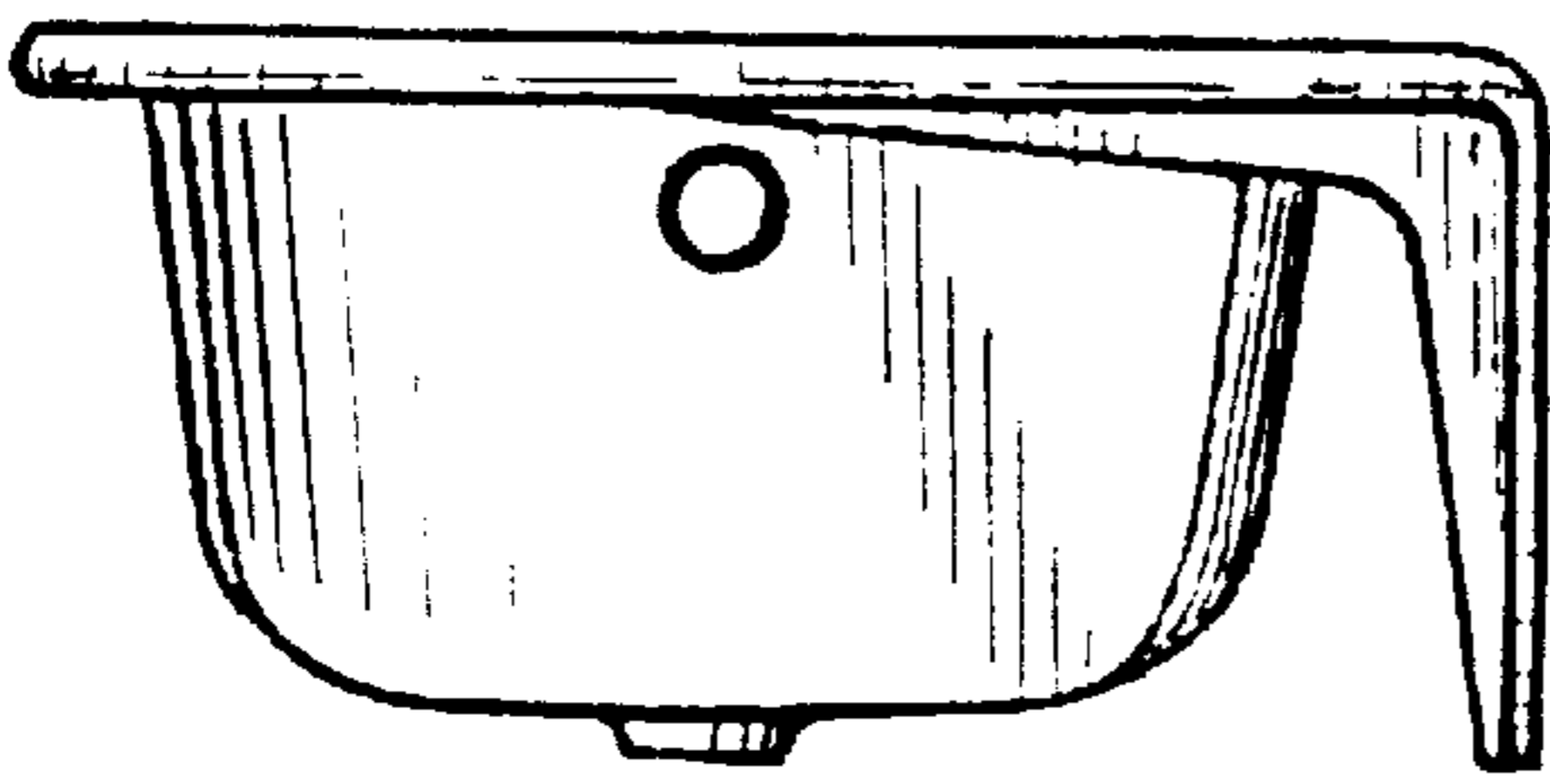


Fig. 7

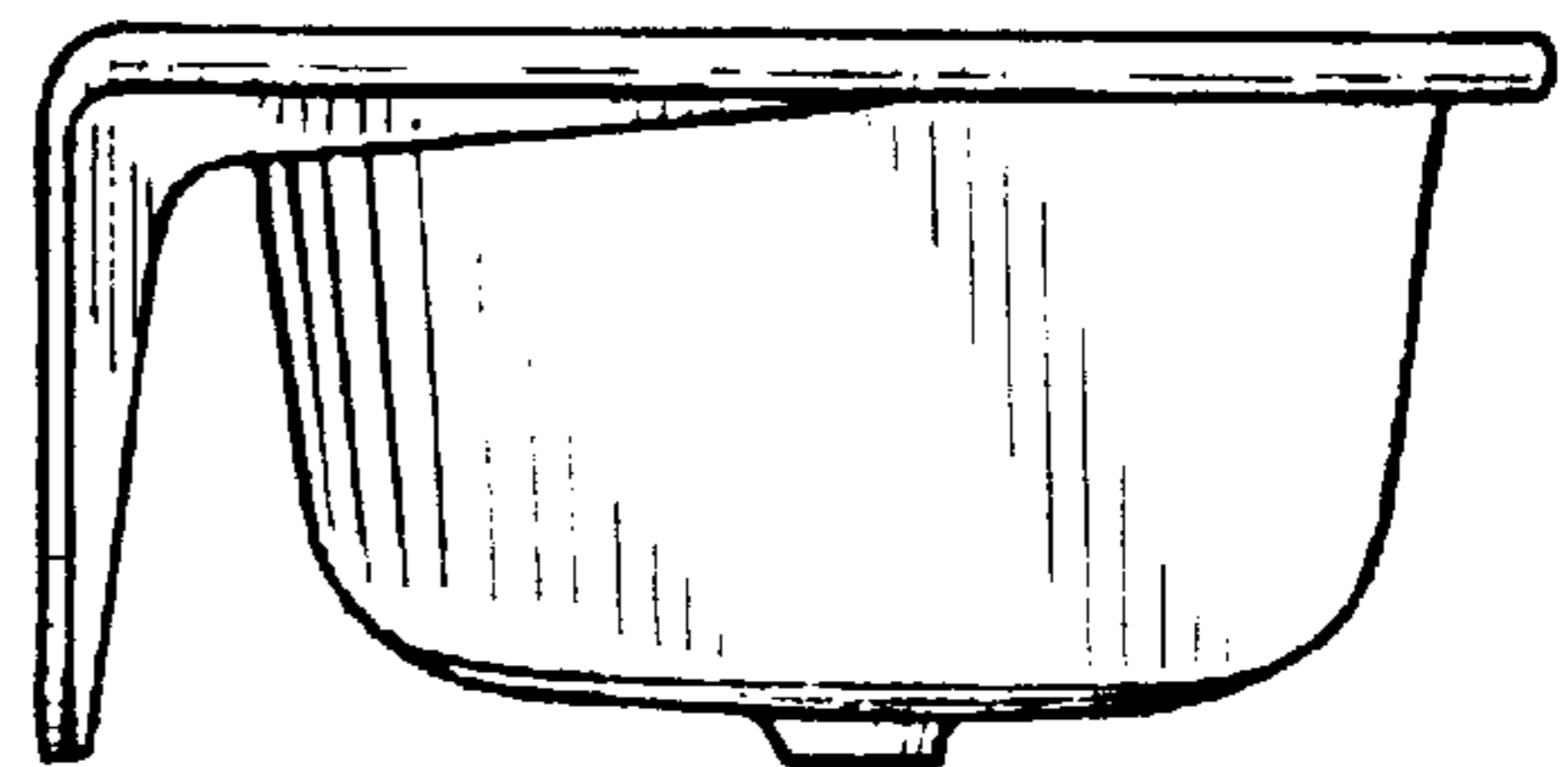


Fig. 8

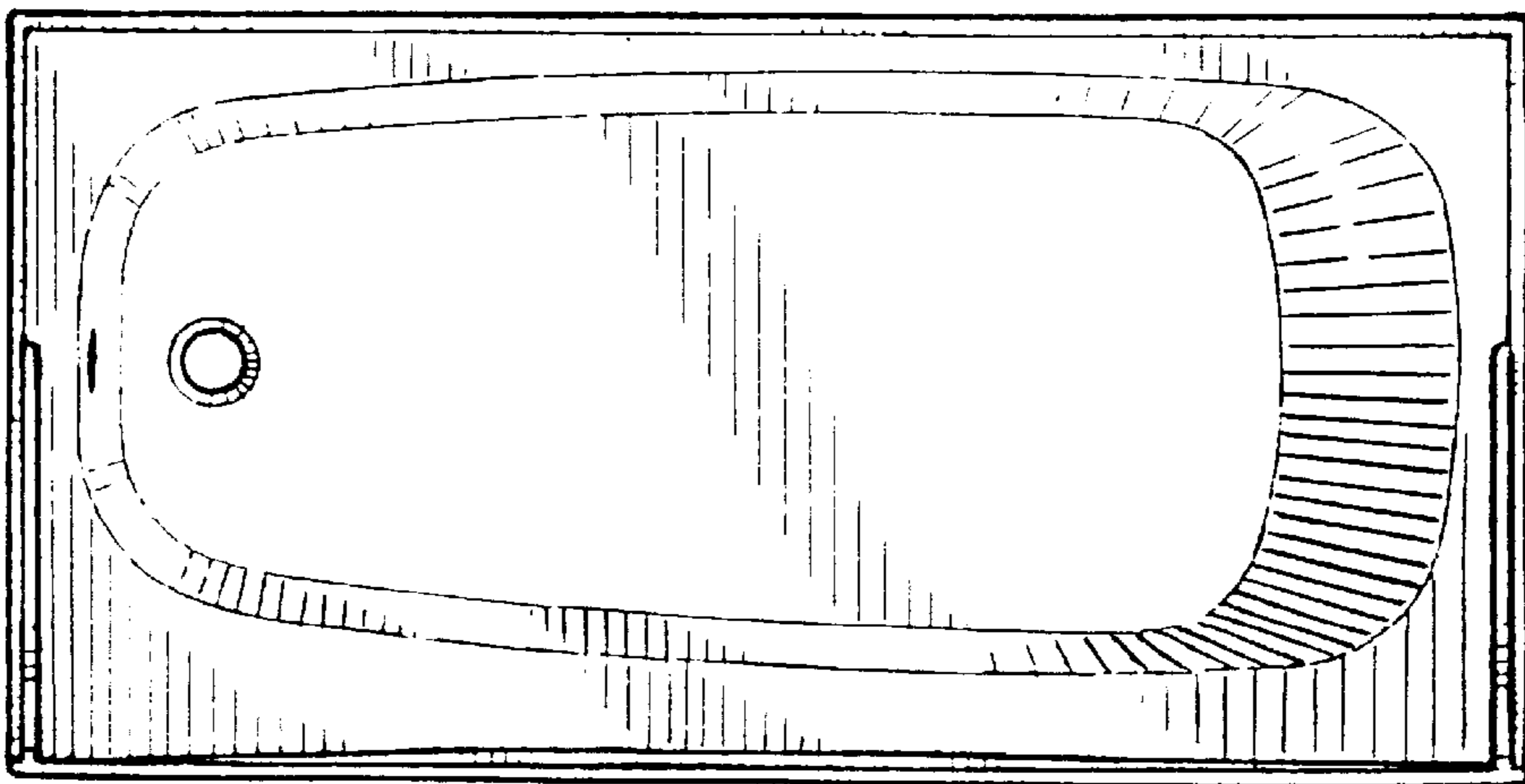


Fig. 9