



US00D398380S

# United States Patent [19] Bevacco

[11] **Patent Number: Des. 398,380**

[45] **Date of Patent: \*\*Sep. 15, 1998**

[54] **PNEUMATIC PLUG WITH LARGE BYPASS**

[75] Inventor: **Marc P. Bevacco**, New Hope, Minn.

[73] Assignee: **Cherne Industries Incorporated**,  
Minneapolis, Minn.

[\*\*] Term: **14 Years**

[21] Appl. No.: **61,130**

[22] Filed: **Oct. 16, 1996**

[51] **LOC (6) Cl. .... 23-01**

[52] **U.S. Cl. .... D23/260**

[58] **Field of Search** ..... D23/259, 260;  
4/286, 287, 288, 290, 292, 256.1, 295;  
138/89, 97, 83, 88, 109

[56] **References Cited**

**U.S. PATENT DOCUMENTS**

D. 350,704	9/1994	Mathison et al. ....	D23/260
D. 358,871	5/1995	Mathison et al. ....	D23/260
D. 369,652	5/1996	Mathison et al. ....	D23/260
D. 370,715	6/1996	Hamer .....	D23/260

**OTHER PUBLICATIONS**

Plug-It Products, Combi Plugs, Product Sheet, 3 Pages prior to Oct. 16, 1996.

Vanderlans and Sons, Inc., Lansas Products, product sheet, Lansas Multi-Worker MW Plugs 2 Pages Prior to Oct. 16, 1996.

Seelye Plastics, Inc., product sheet, Cap-T, 4 Pages prior to Oct. 16, 1996.

*Primary Examiner*—Marcus A. Jackson  
*Attorney, Agent, or Firm*—Anthony G. Eggink

[57] **CLAIM**

The ornamental design for a pneumatic plug with large bypass, as shown and described.

**DESCRIPTION**

FIG. 1 is a perspective view taken from the front and side of the pneumatic plug with large bypass of my invention;

FIG. 2 is a perspective view taken from the rear and side of the pneumatic plug with large bypass;

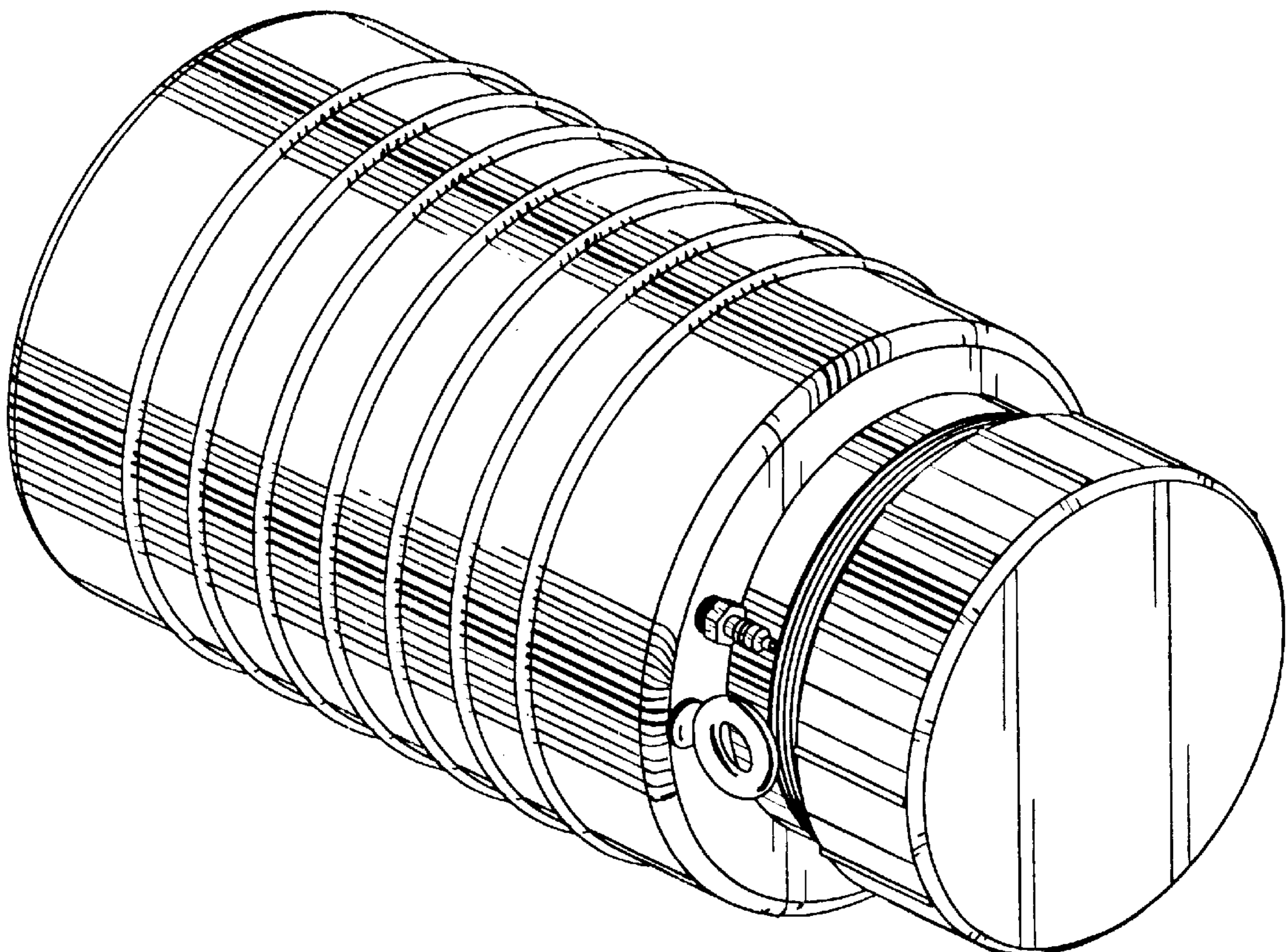
FIG. 3 is a perspective view of the pneumatic plug with large bypass of FIG. 1 and having the cap removed from the front thereof;

FIG. 4 is a side plan view of the pneumatic plug with large bypass of FIG. 3, with the opposite side being a mirror image;

FIG. 5 is a front plan view of the pneumatic plug with large bypass shown in FIGS. 1 and 2; and,

FIG. 6 is a rear plan view thereof.

**1 Claim, 3 Drawing Sheets**



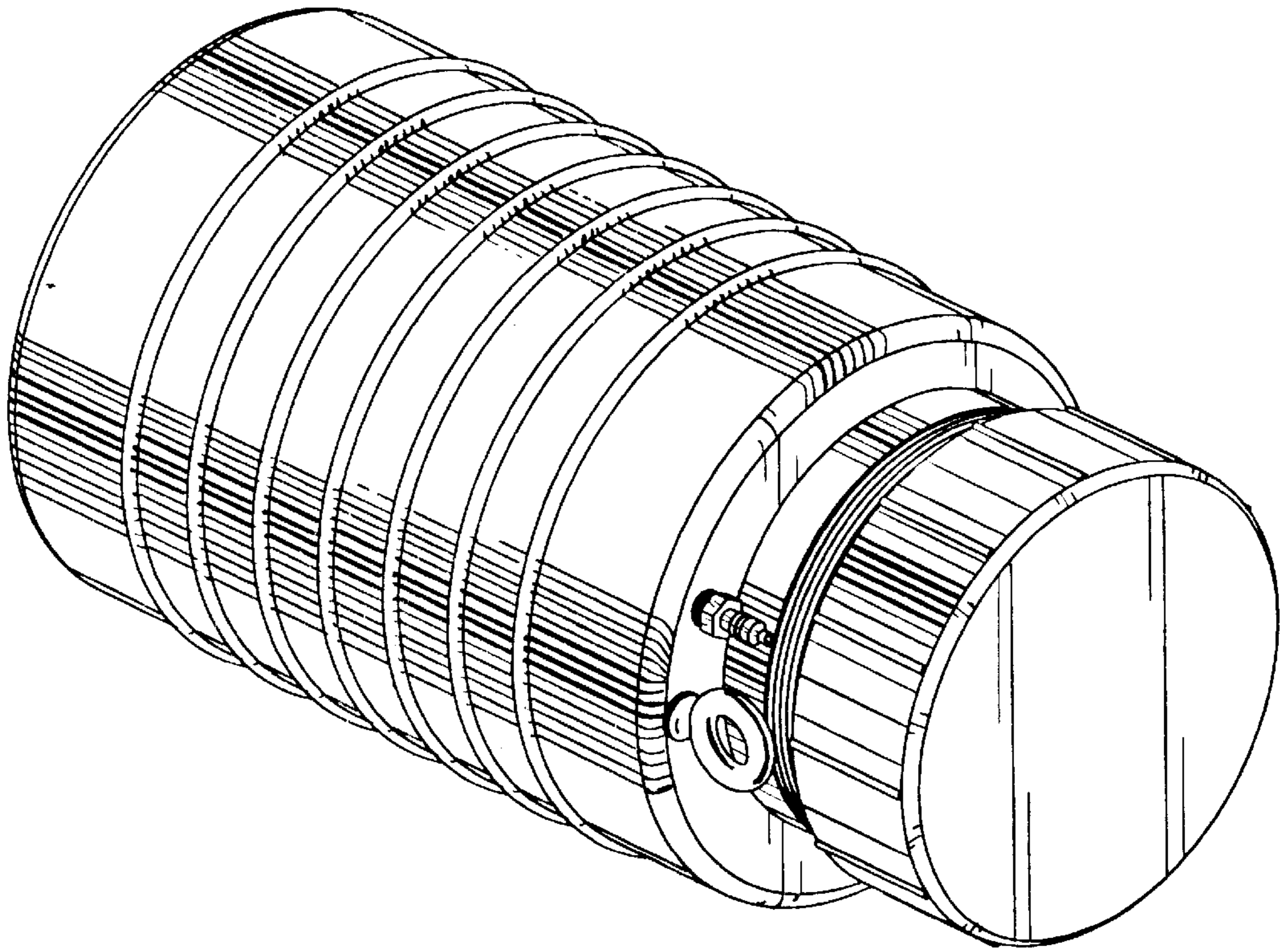


FIG-1

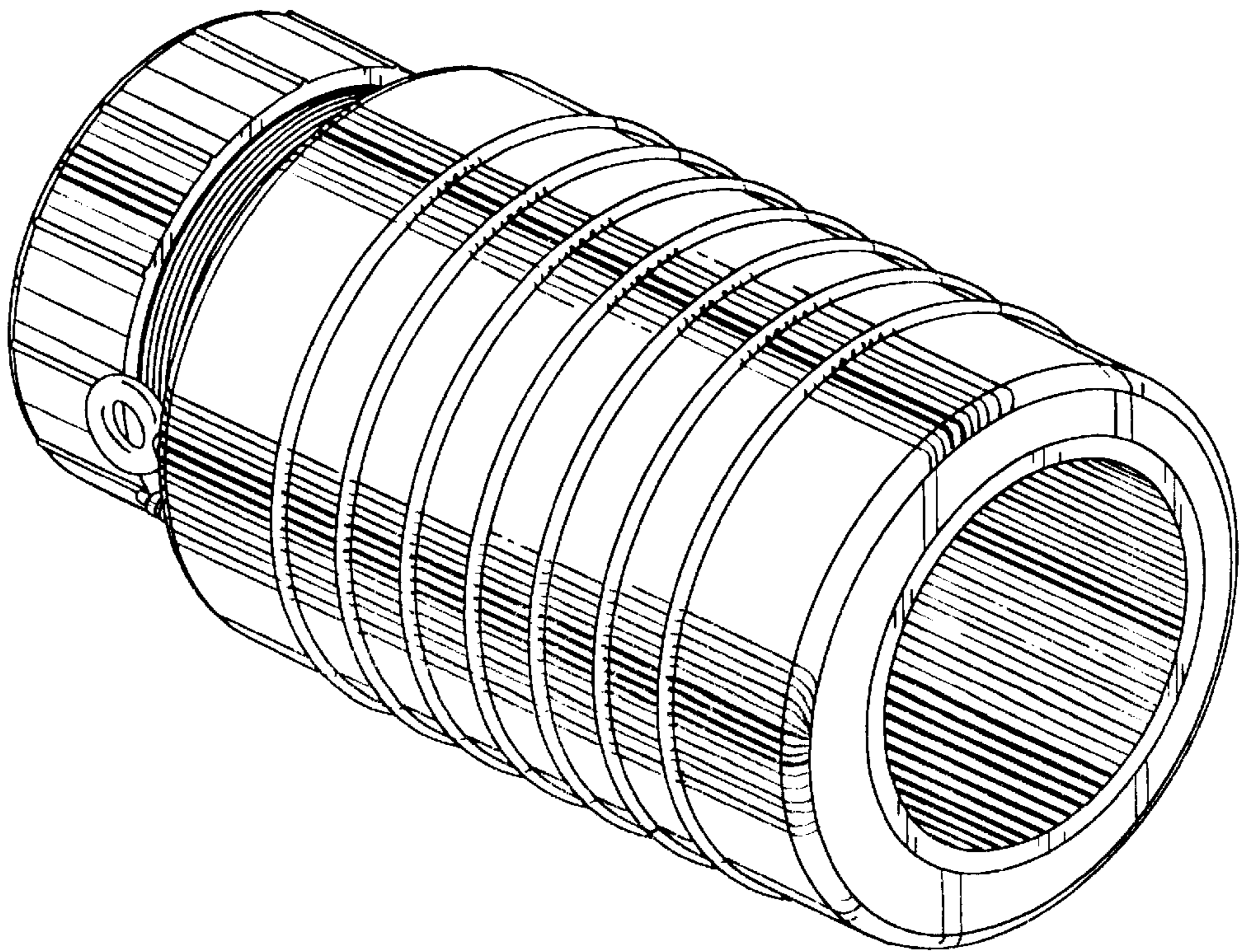


FIG-2

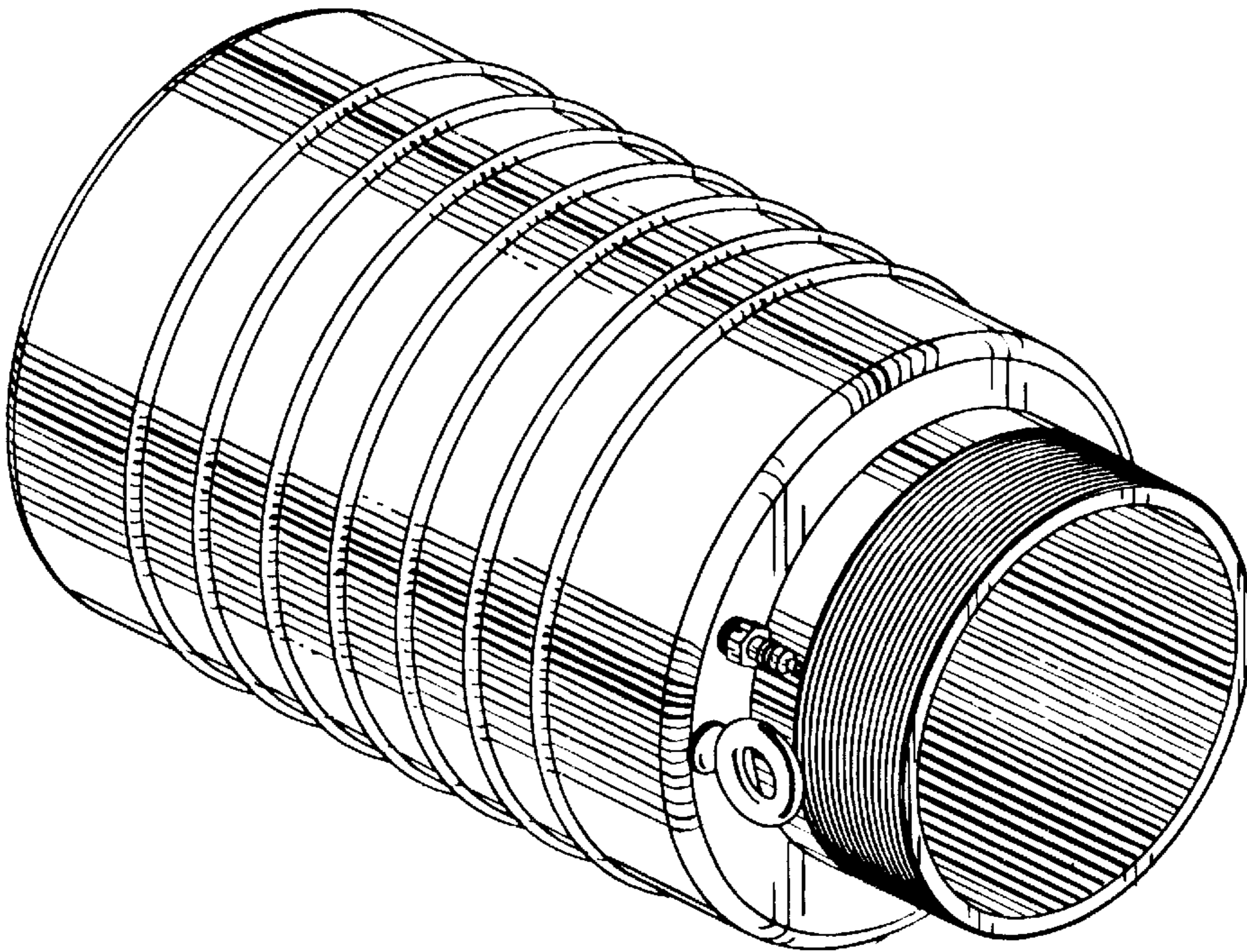


FIG-3

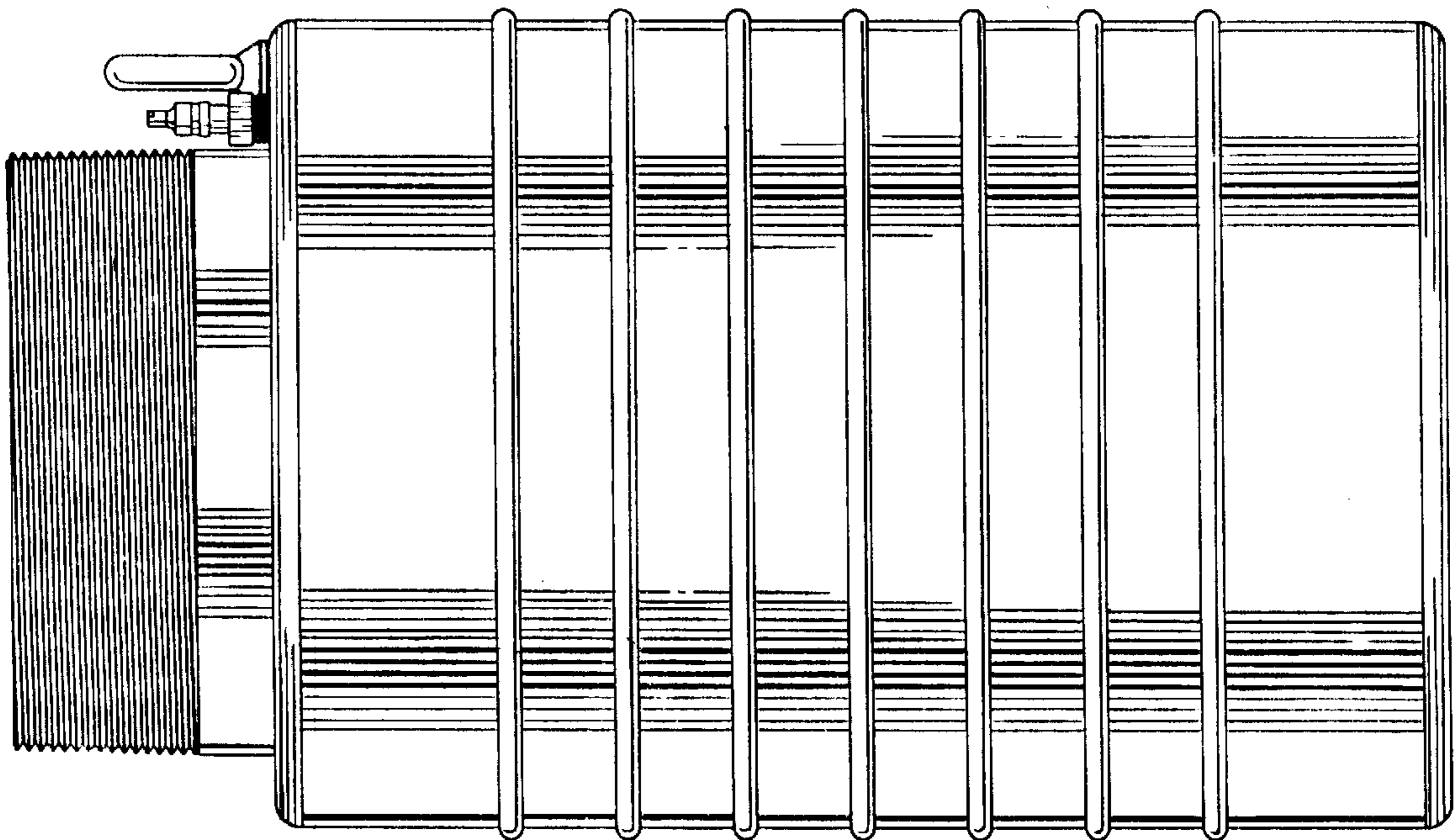


FIG-4

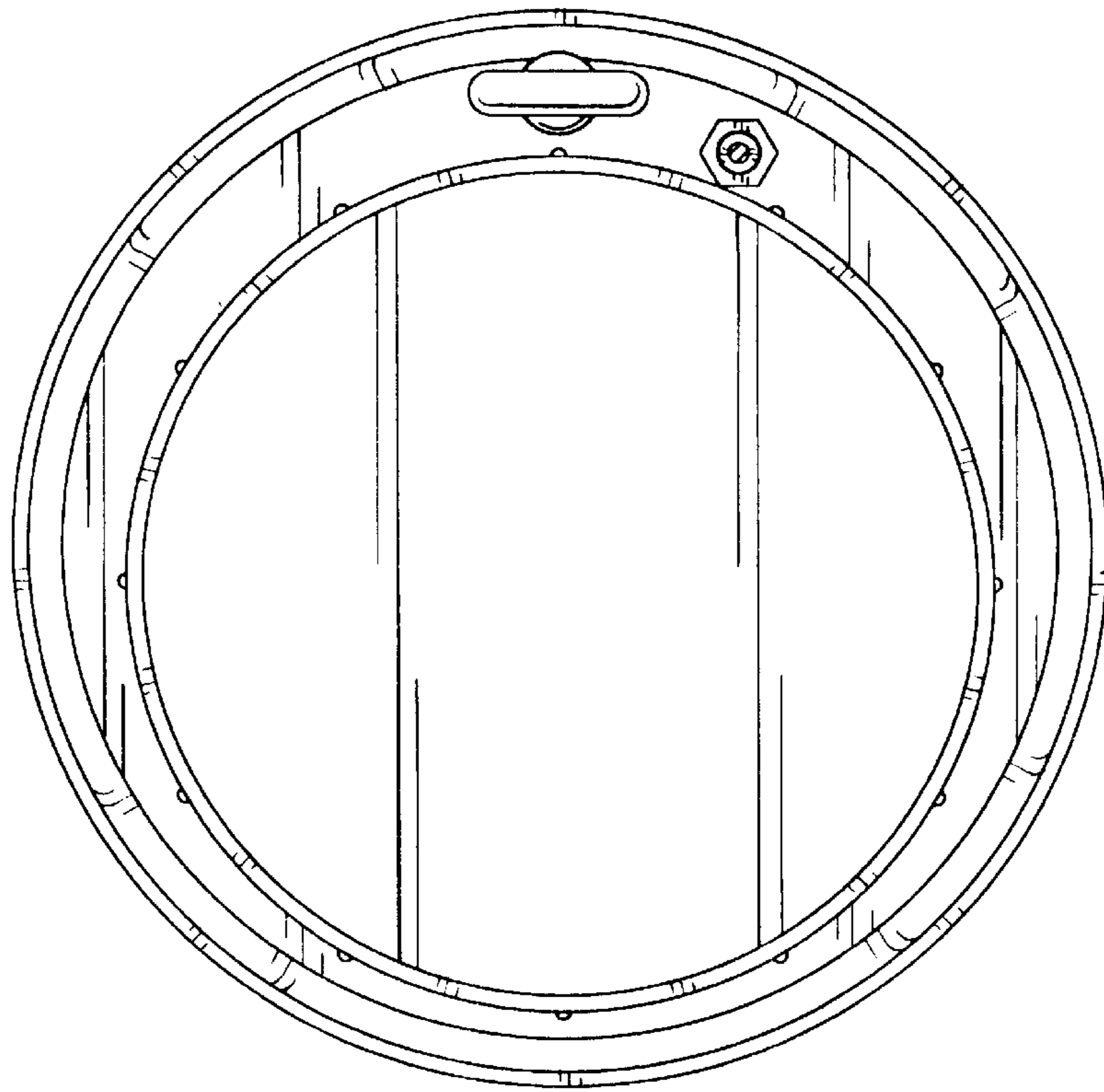


FIG-5

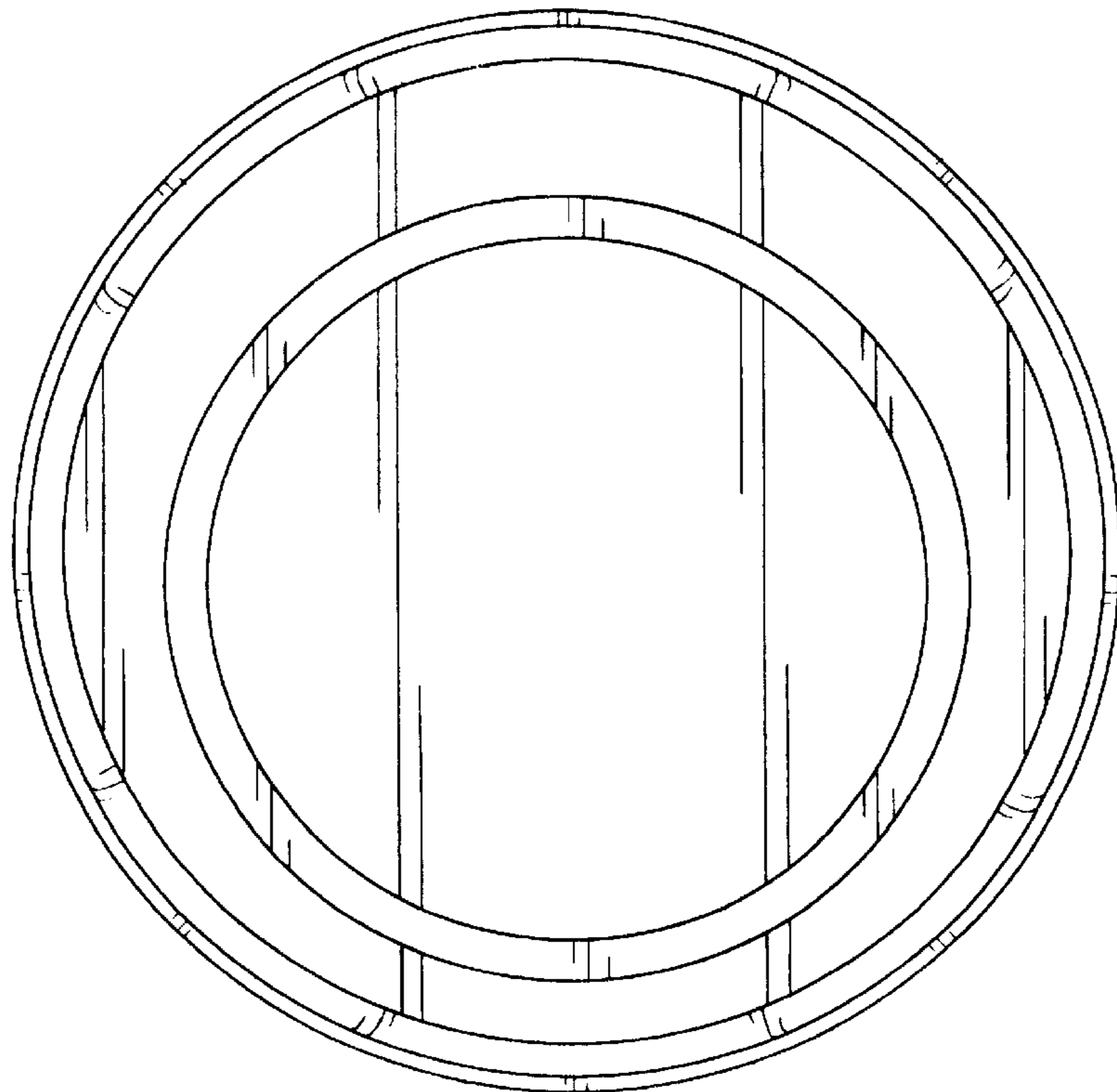


FIG-6