



US00D398379S

# United States Patent [19] Vidal

[11] **Patent Number: Des. 398,379**

[45] **Date of Patent: \*\*Sep. 15, 1998**

[54] **AIR GAP ADAPTER**

[75] Inventor: **Jose Freddy Vidal**, North Hollywood, Calif.

[73] Assignee: **QMP, Inc.**, Sun Valley, Calif.

[\*\*] Term: **14 Years**

[21] Appl. No.: **59,123**

[22] Filed: **Jul. 23, 1996**

[51] **LOC (6) Cl.** ..... **23-01**

[52] **U.S. Cl.** ..... **D23/259**

[58] **Field of Search** ..... D23/249, 259;  
285/330; 137/356; 210/163, 164, 165, 166

[56] **References Cited**

**U.S. PATENT DOCUMENTS**

- D. 138,613 8/1944 Patten ..... D28/249
- D. 374,067 9/1996 Crook ..... D23/259

*Primary Examiner*—Marcus A. Jackson  
*Attorney, Agent, or Firm*—Wagner, Middlebrook & Kimbell, LLP

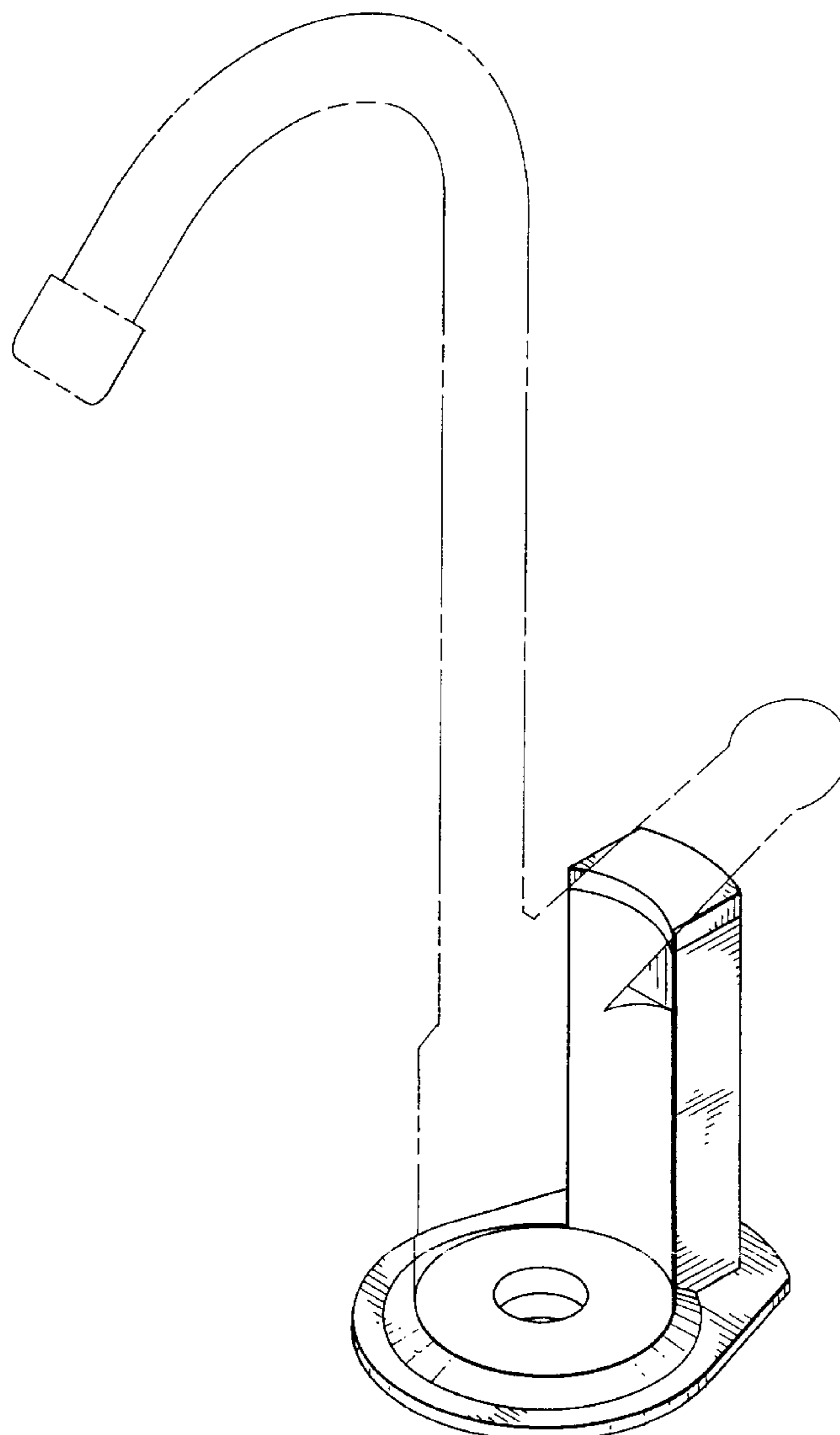
[57] **CLAIM**

An ornamental design for “air gap adapter,” as shown and described.

**DESCRIPTION**

FIG. 1 is a front perspective view of my new design for an air gap adapter for use with a water valve, with the water faucet shown in phantom lines;  
FIG. 2 is a front elevational view of FIG. 1;  
FIG. 3 is a left side elevational view of the FIG. 1;  
FIG. 4 is a rear elevational view of FIG. 1; and,  
FIG. 5 is a top plan view of FIG. 1;  
FIG. 6 is a right side elevational view of FIG. 1; and,  
FIG. 7 is a bottom plan view of FIG. 1.

**1 Claim, 3 Drawing Sheets**



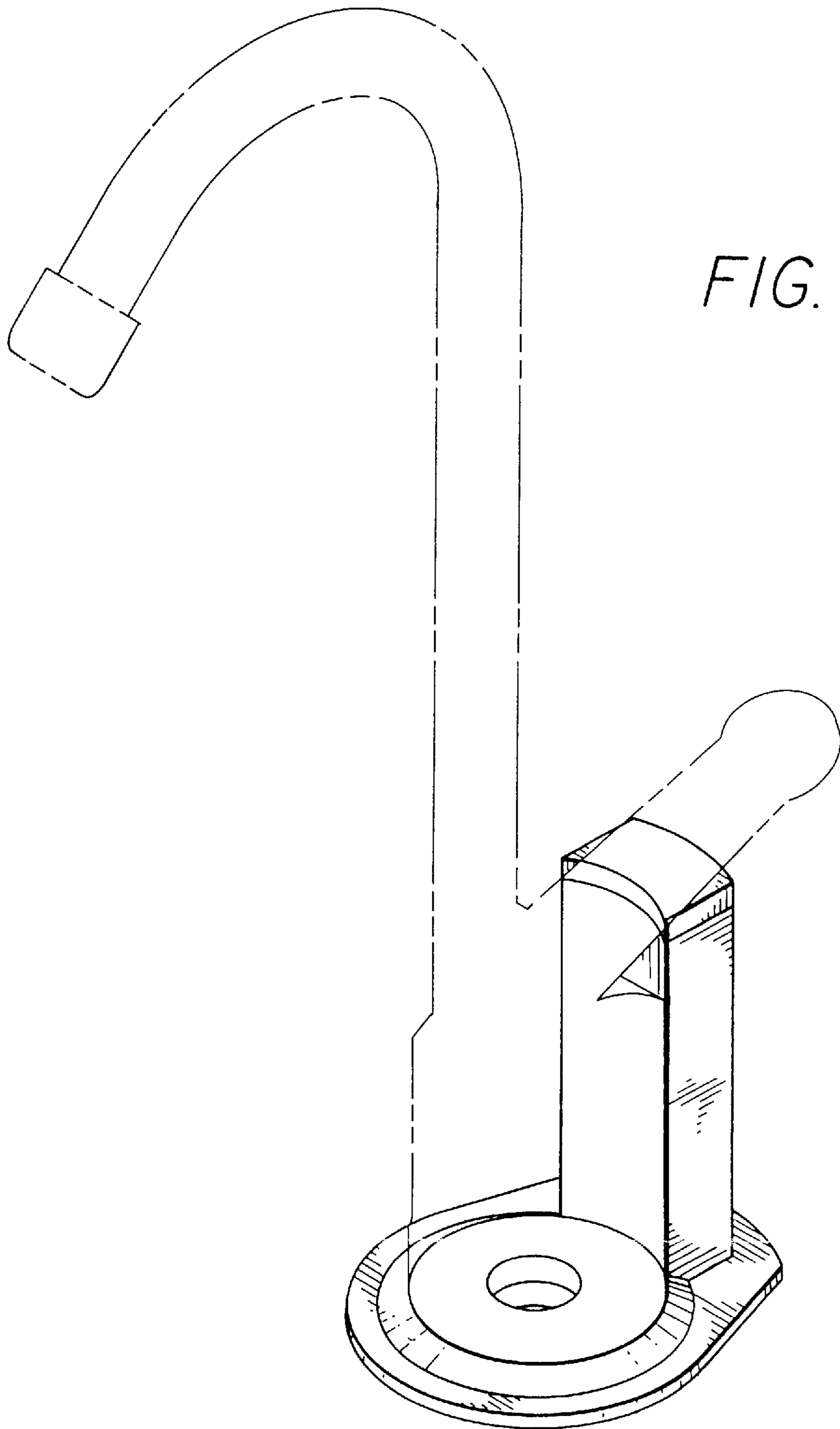


FIG. 1

FIG. 2

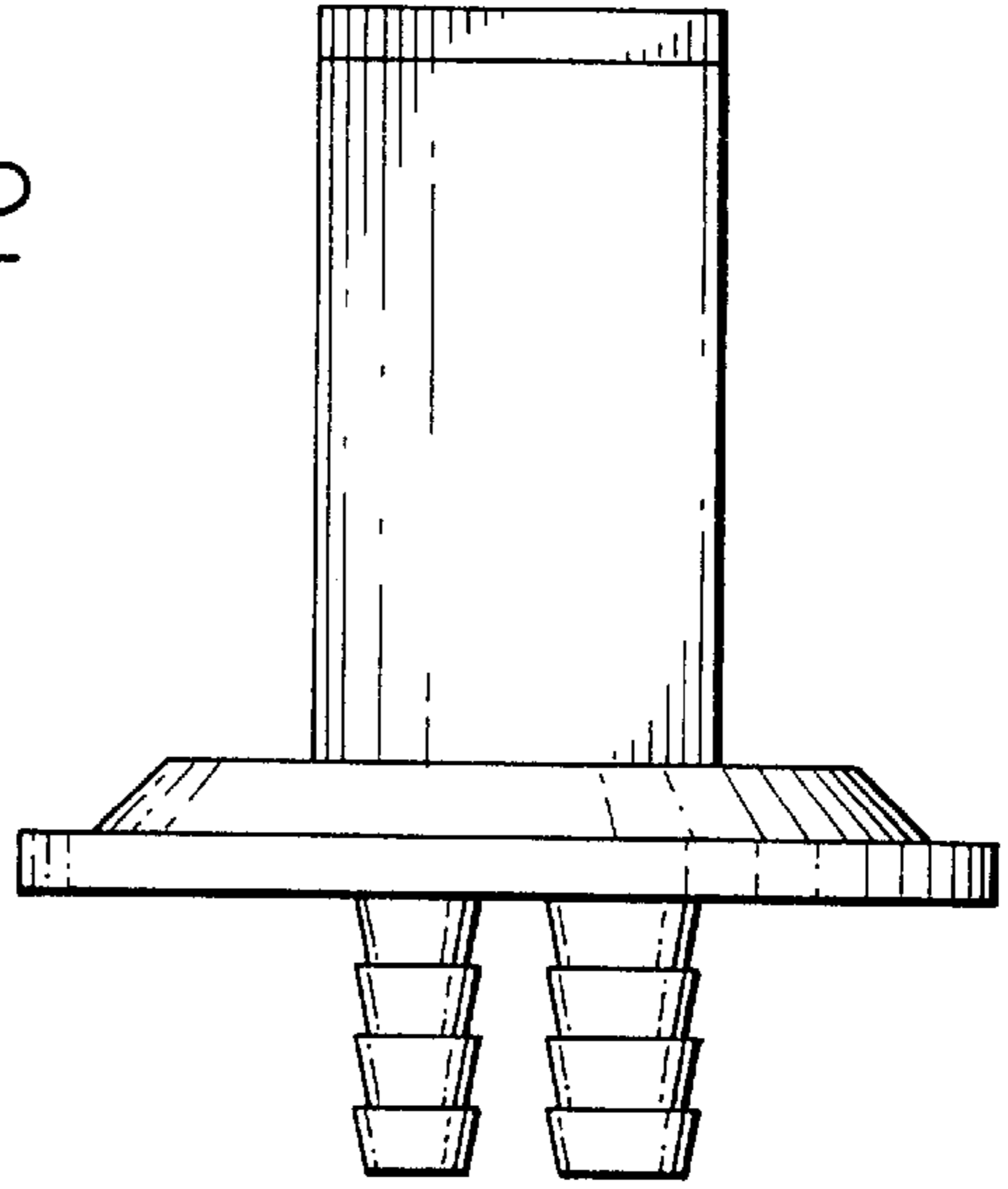


FIG. 3

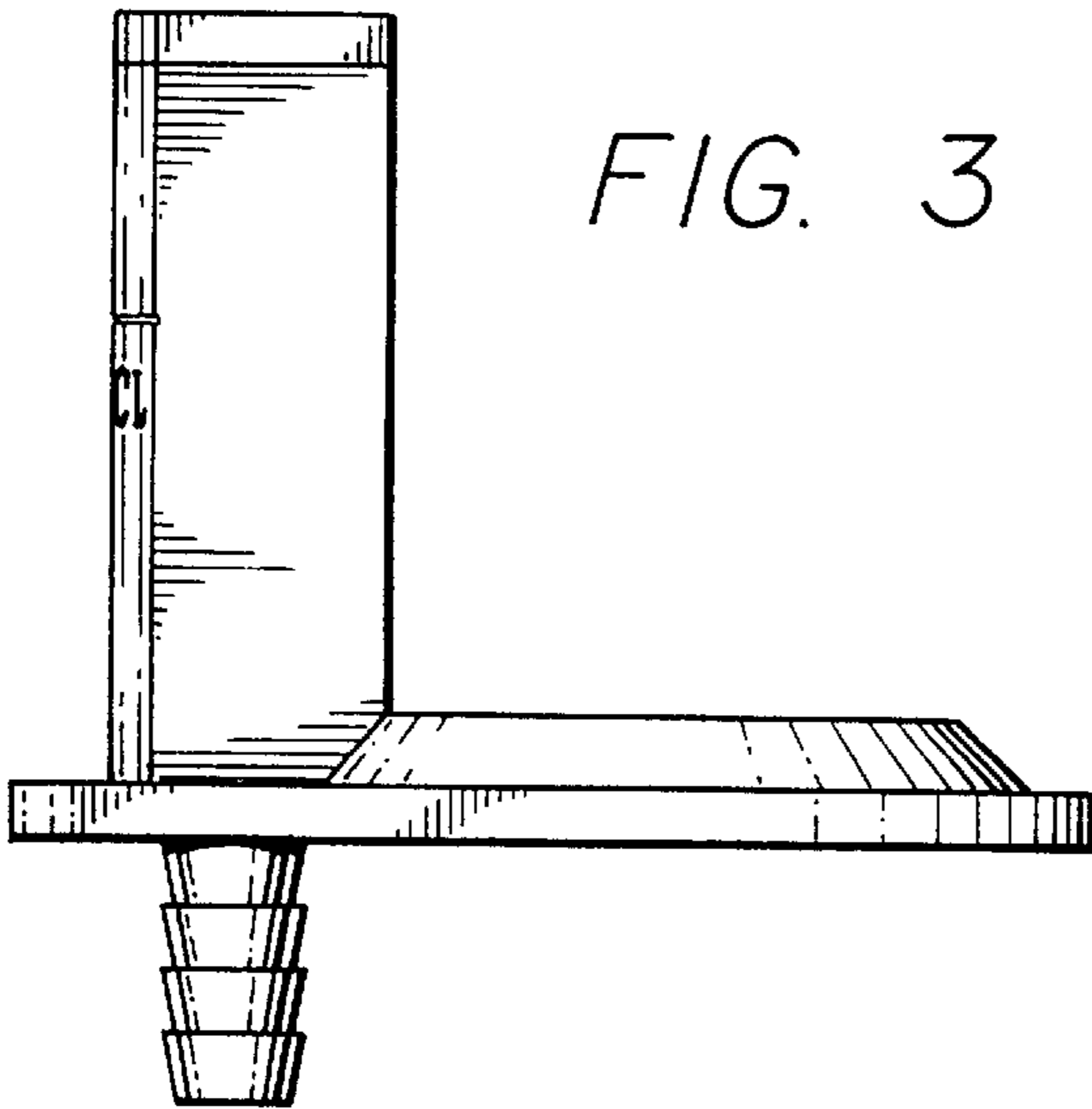


FIG. 4

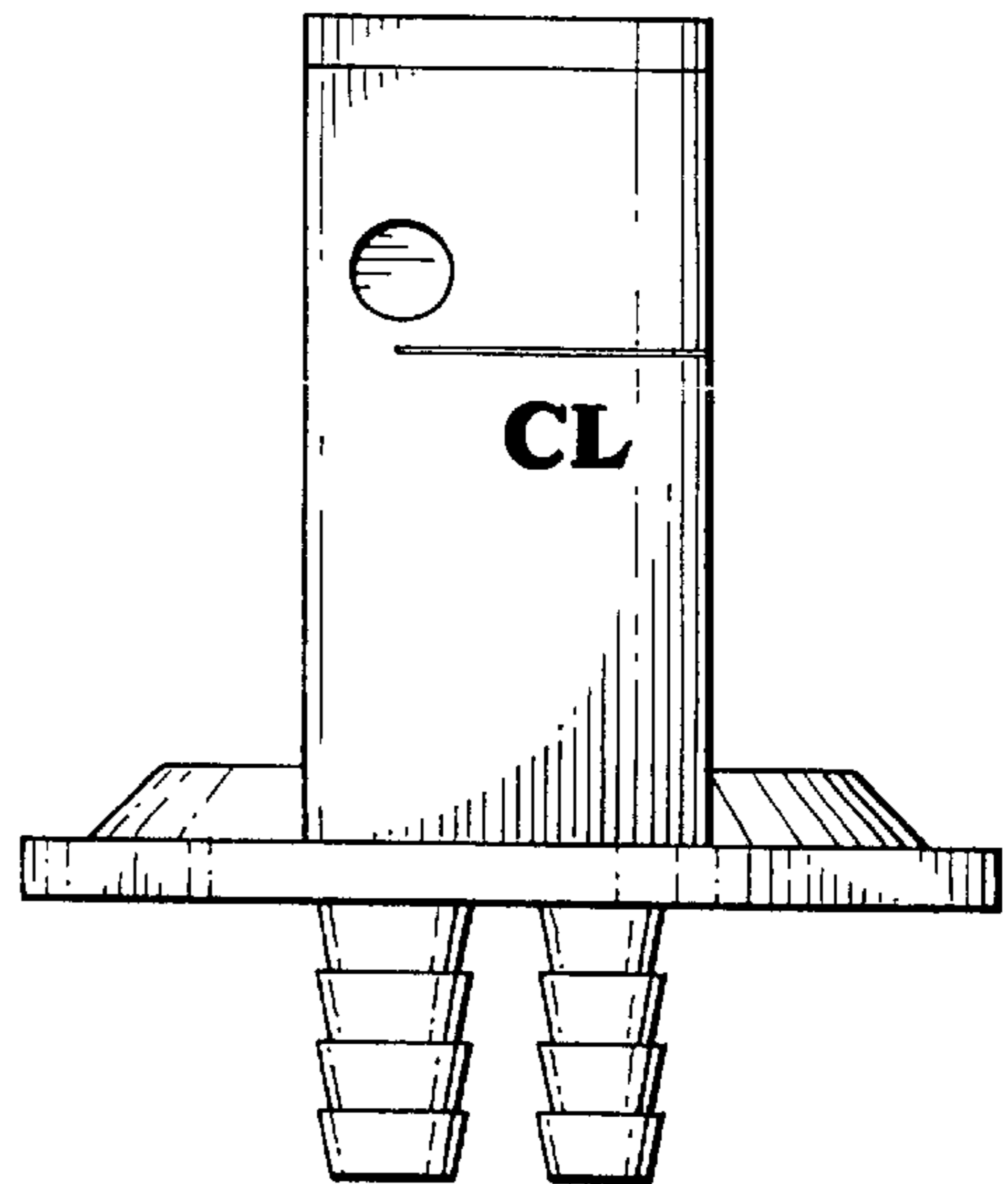


FIG. 5

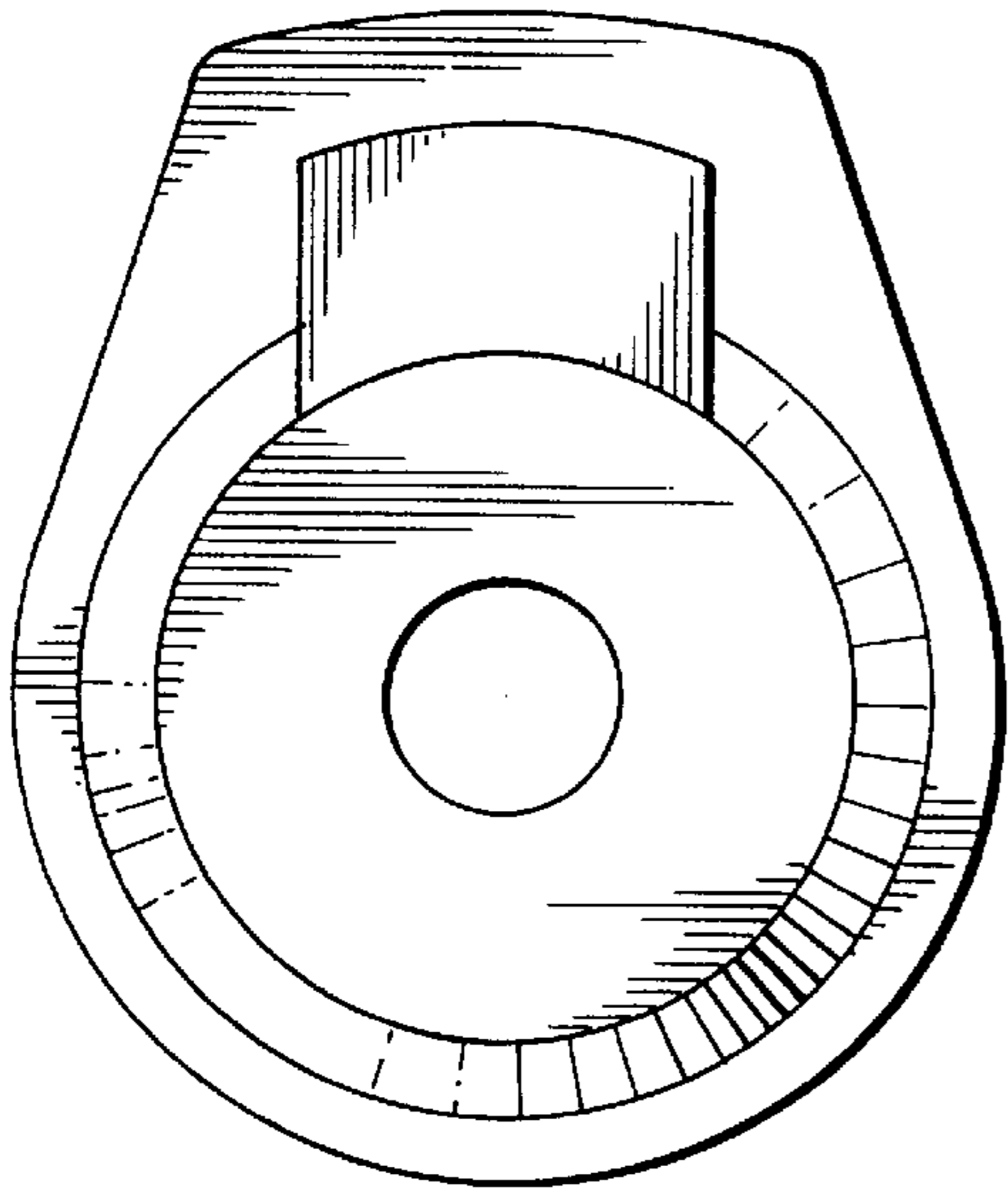


FIG. 6

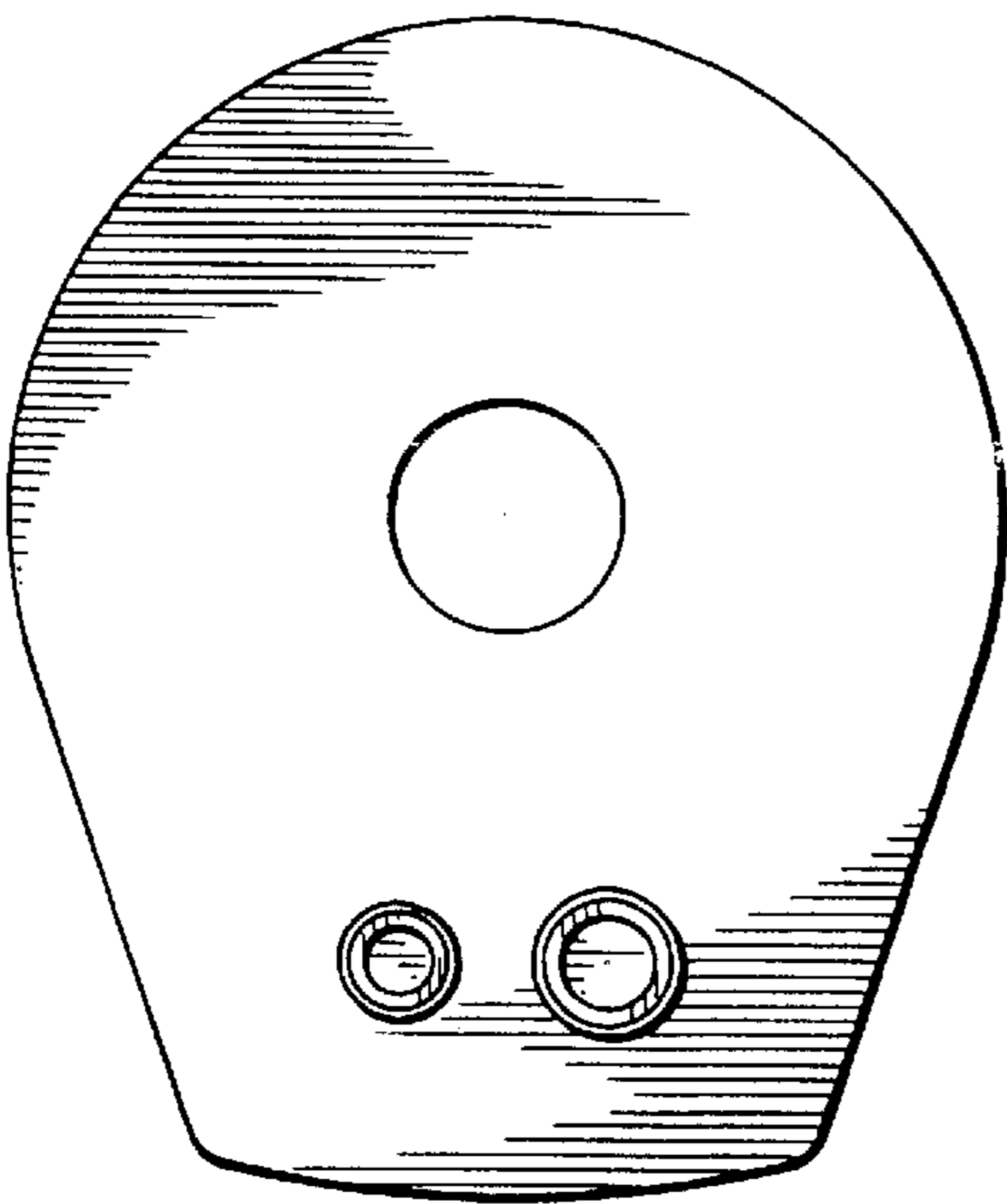
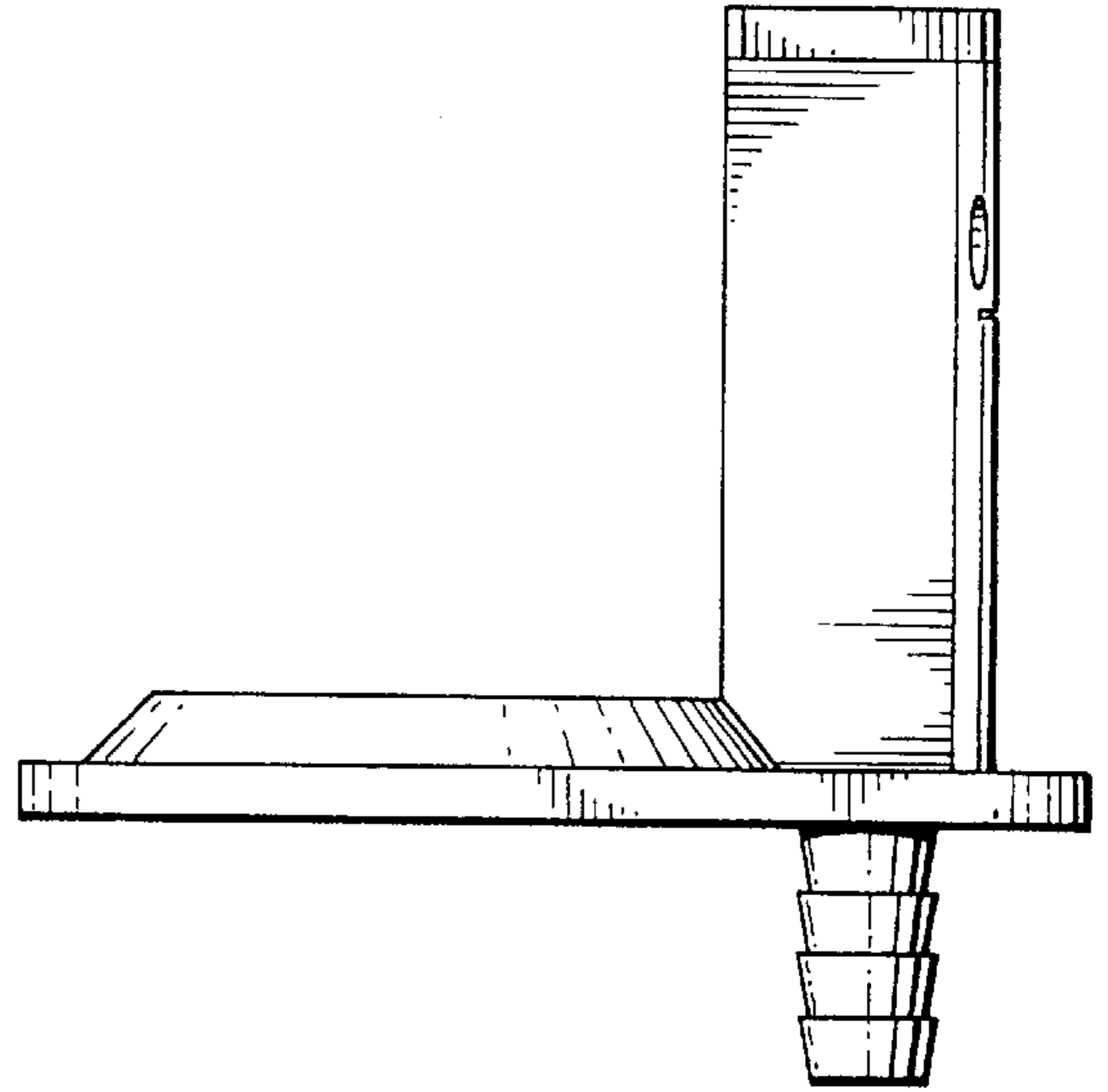


FIG. 7