



US00D398376S

United States Patent [19]

Hundley et al.

[11] Patent Number: Des. 398,376

[45] Date of Patent: **Sep. 15, 1998

[54] HANDLE FOR PLUMBING FITTING

[75] Inventors: **Jill E. Hundley; Mary J. Reid; Thomas A. Bonnell**, all of Sheboygan, Wis.

[73] Assignee: **Kohler Co.**, Kohler, Wis.

[**] Term: **14 Years**

[21] Appl. No.: **71,934**

[22] Filed: **Jun. 9, 1997**

Related U.S. Application Data

[62] Division of Ser. No. 49,418, Jan. 24, 1996, Pat. No. 8,385, 954.

[51] **LOC (6) Cl.** **23-01**

[52] **U.S. Cl.** **D23/252**

[58] **Field of Search** D23/238-243, D23/250-257; D8/300-308; 4/675-678; 16/110 R, 118, 121, 123, 125

References Cited

U.S. PATENT DOCUMENTS

D. 271,561	11/1983	Valli	D8/308
D. 300,719	4/1989	Rhoades et al.	D8/308
D. 345,901	4/1994	Fojtasek et al.	D8/308
D. 348,509	7/1994	Bollenbacher	D6/550
D. 349,328	8/1994	Bollenbacher	D23/252
D. 355,578	2/1995	Mark et al.	D8/308

OTHER PUBLICATIONS

Undated Harden catalog ad, p. 25, showing a "56 Series" faucet handle escutcheon, admitted prior art.

Undated Dorn Bracht catalog ad showing "Obina" faucet handle, admitted prior art.

Undated Dorn Bracht catalog ad showing "Obina" faucet handles, admitted prior art.

1989 WICO catalog ad showing a "Retro" faucet handle escutcheon.

Primary Examiner—Louis S. Zarfes

Assistant Examiner—Eric Watterson

Attorney, Agent, or Firm—Quarles & Brady

[57] CLAIM

The ornamental design for a handle for plumbing fitting, as shown and described.

DESCRIPTION

FIG. 1 is a top, right, front perspective view of a plumbing handle embodying our new design;

FIG. 2 is a front elevational view thereof, the rear elevational view being a mirror image of the front side shown;

FIG. 3 is a left side elevational view thereof;

FIG. 4 is a right side elevational view thereof;

FIG. 5 is a top plan view thereof;

FIG. 6 is a front elevational view of a second embodiment which is essentially identical to the first embodiment but for a spacer and truncated escutcheon. The spacer has identical front and rear views;

FIG. 7 is a left side elevational view thereof;

FIG. 8 is a right side elevational view thereof;

FIG. 9 is a front elevational view of a third embodiment which is essentially identical to the second embodiment but for a decorative space. The spacer has an identical front and rear view. The rear elevational view of this embodiment is a mirror image of the front view;

FIG. 10 is a front elevational view of fourth embodiment which is essentially identical to the first embodiment but for the inversion of the handle;

FIG. 11 is a front elevational view of a fifth embodiment which is essentially identical to the second embodiment but for the inversion of the handle;

FIG. 12 is a front elevational view of a sixth embodiment which is essentially identical to the third embodiment but for the inversion of the handle;

FIG. 13 is a top, right, front perspective view of a seventh embodiment;

FIG. 14 is a front elevational view thereof, the rear elevational view being a mirror image of the front side shown;

FIG. 15 is a left side elevational view thereof;

FIG. 16 is a right side elevational view thereof;

FIG. 17 is a top plan view thereof;

FIG. 18 is a front elevational view of an eighth embodiment which is essentially identical to the seventh embodiment but for a spacer and truncated escutcheon. The spacer has identical front and rear views;

FIG. 19 is a left side elevational view thereof;

FIG. 20 is a right side elevational view thereof;

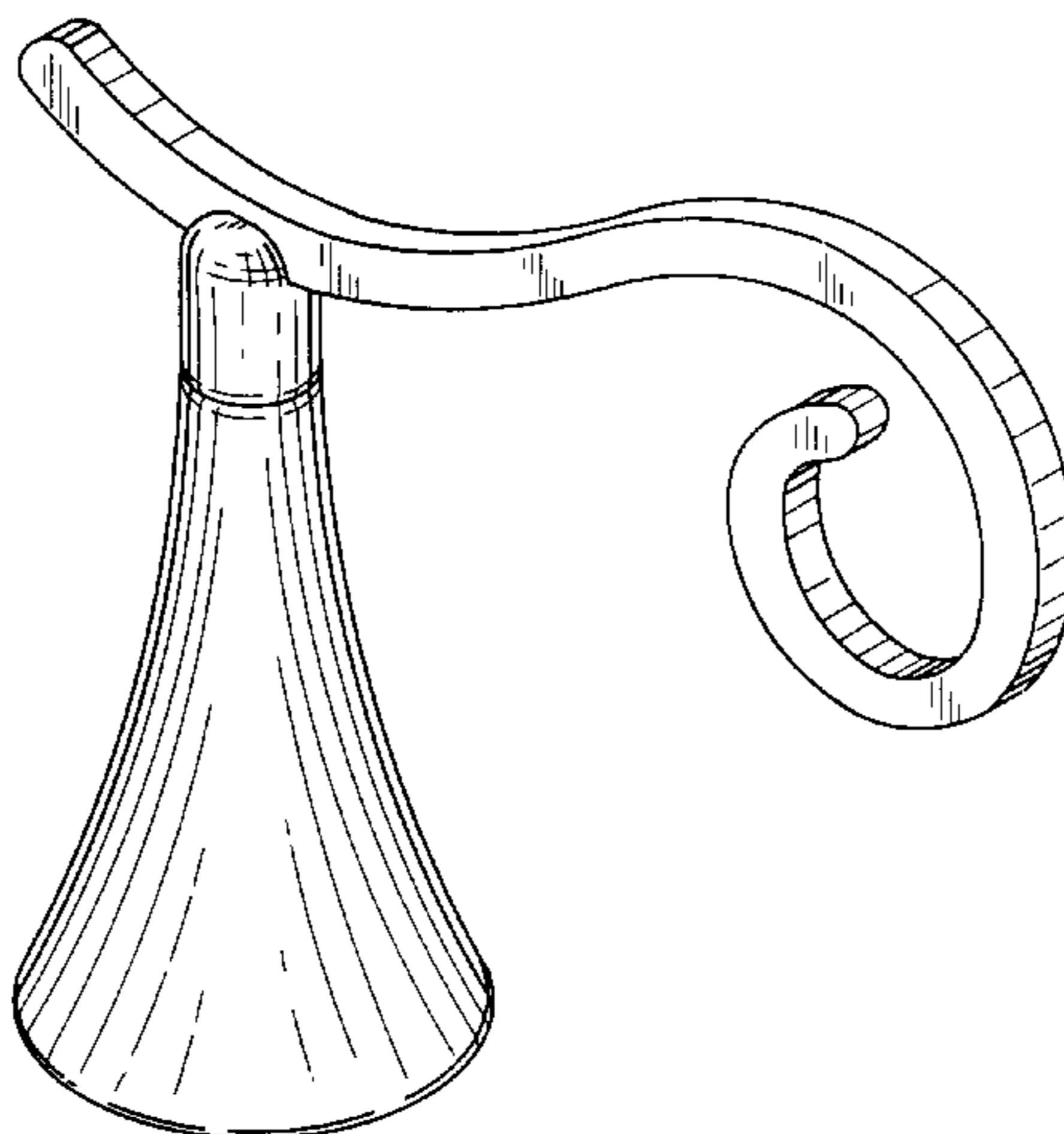


FIG. 21 is a front elevational view of a ninth embodiment which is essentially identical to the eighth embodiment but for a decorative spacer. The spacer has an identical front and rear view. The rear elevational view of this embodiment is a mirror image of the front view;

FIG. 22 is a front elevational view of a tenth embodiment which is essentially identical to the seventh embodiment but for the inversion of the handle;

FIG. 23 is a front elevational view of an eleventh embodiment which is essentially identical to the eighth embodiment but for the inversion of the handle;

FIG. 24 is a front elevational view of a twelfth embodiment which is essentially identical to the ninth embodiment but for the inversion of the handle;

FIG. 25 is a top, front perspective view of a thirteenth embodiment which is essentially identical to the seventh embodiment but for a decorative spacer and the decorative treatment on the handle and the escutcheon. The design is a mirror image front to back; and,

FIG. 26 is a top, front perspective view of a fourteenth embodiment which is essentially identical to the thirteenth embodiment but for the inversion of the handle.

The dotted line representations of an escutcheon in FIGS. 6-9, 11-12, 18-21, and 19-24 are for purposes of illustration only and form no part of the claimed design.

1 Claim, 13 Drawing Sheets

FIG. 1

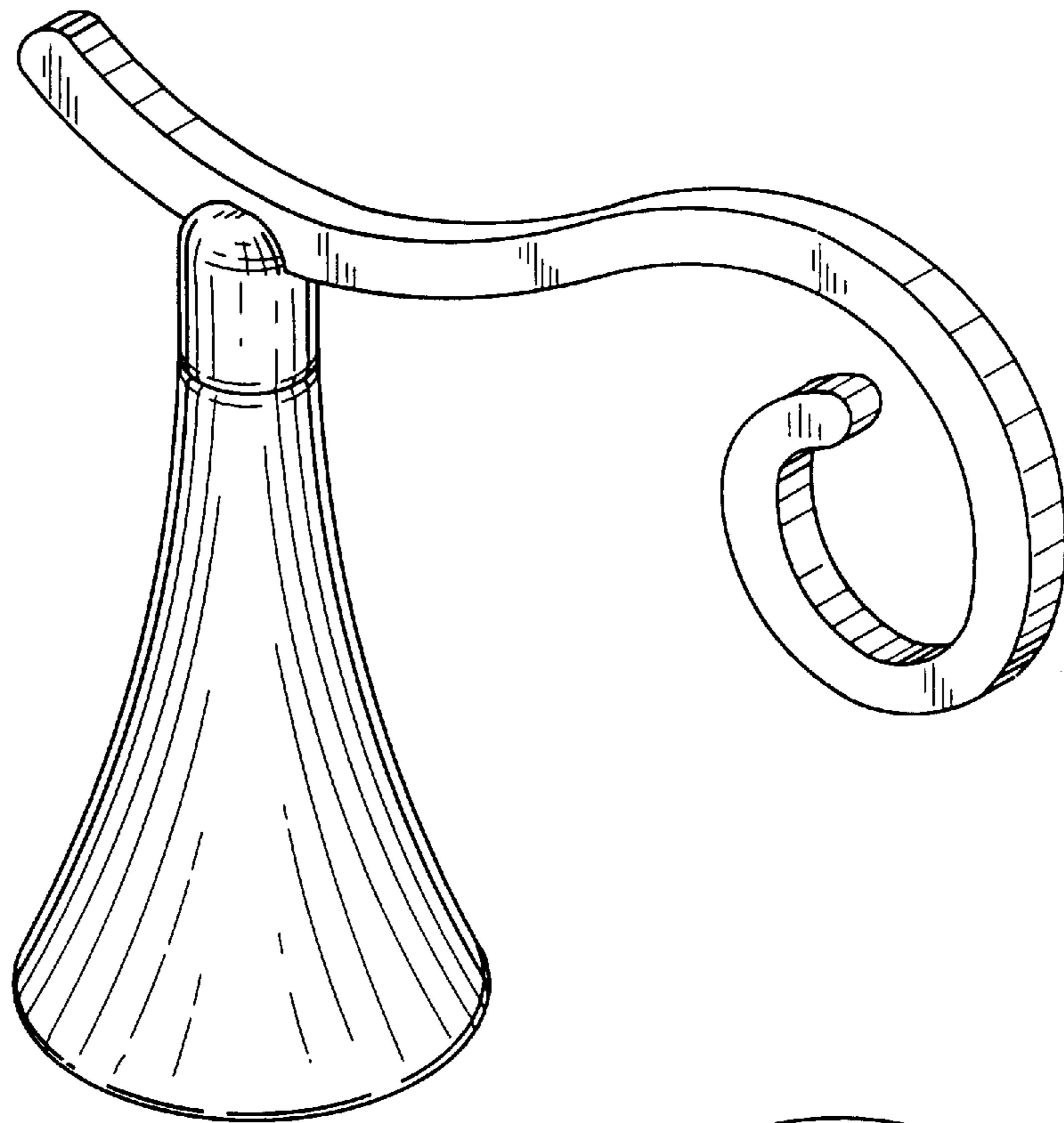


FIG. 2

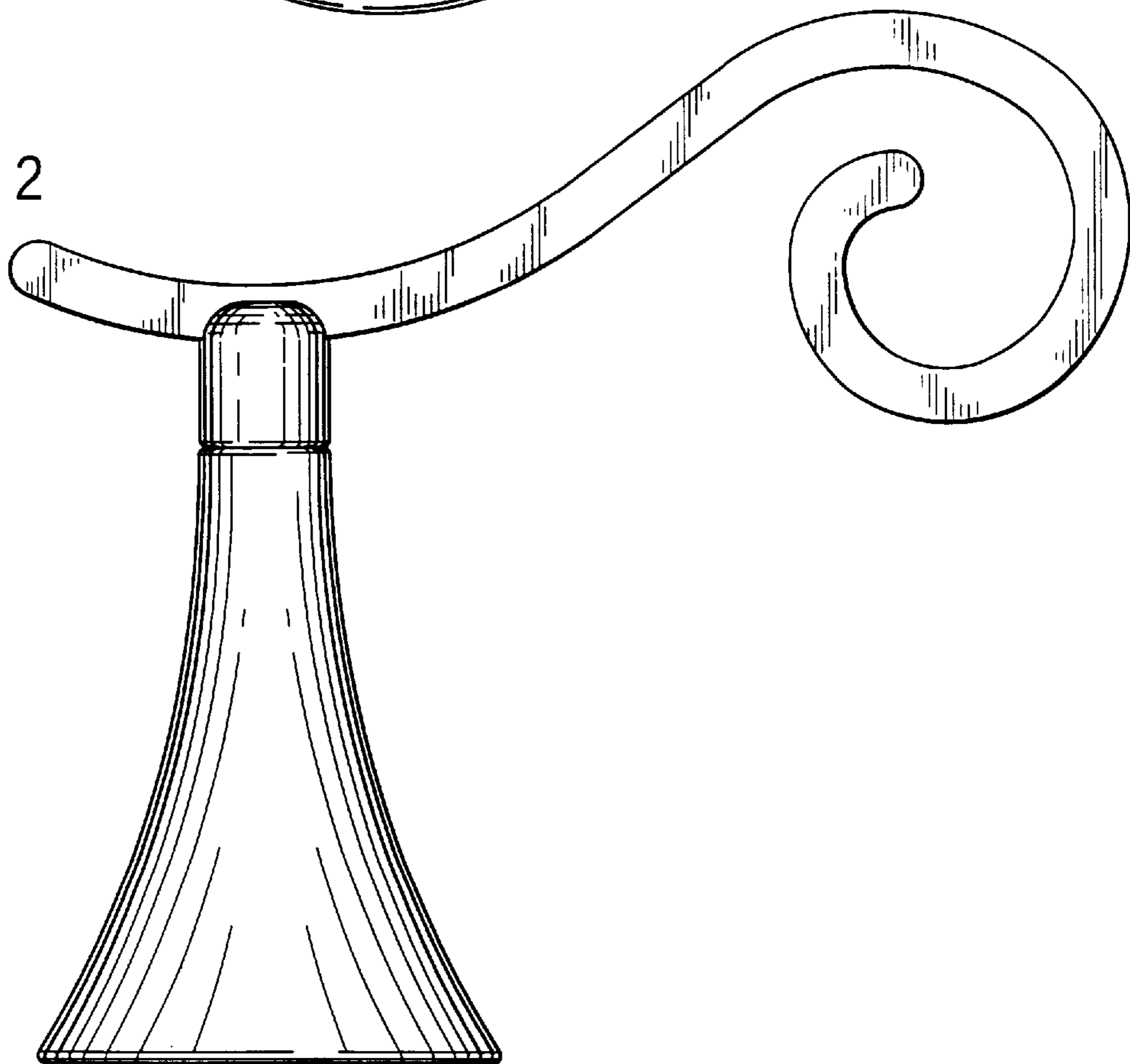


FIG. 5

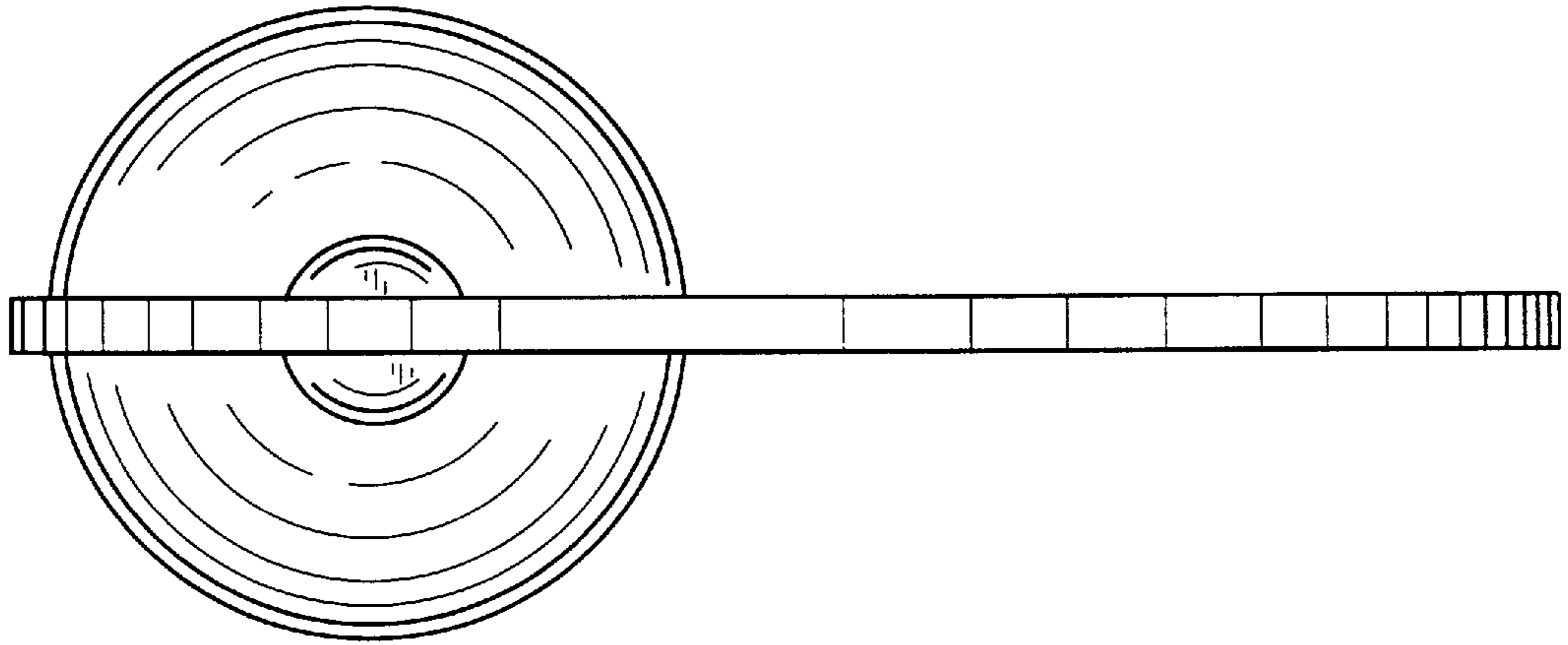


FIG. 3

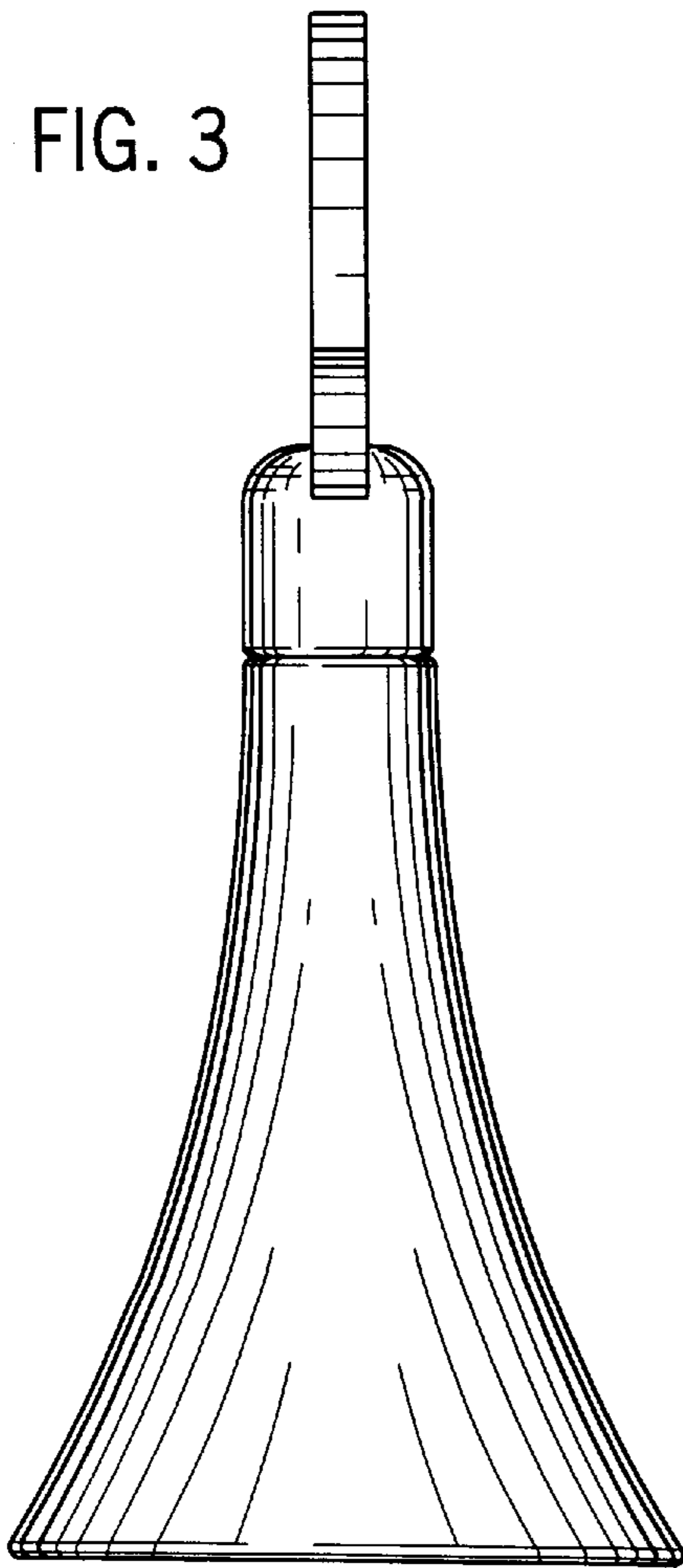
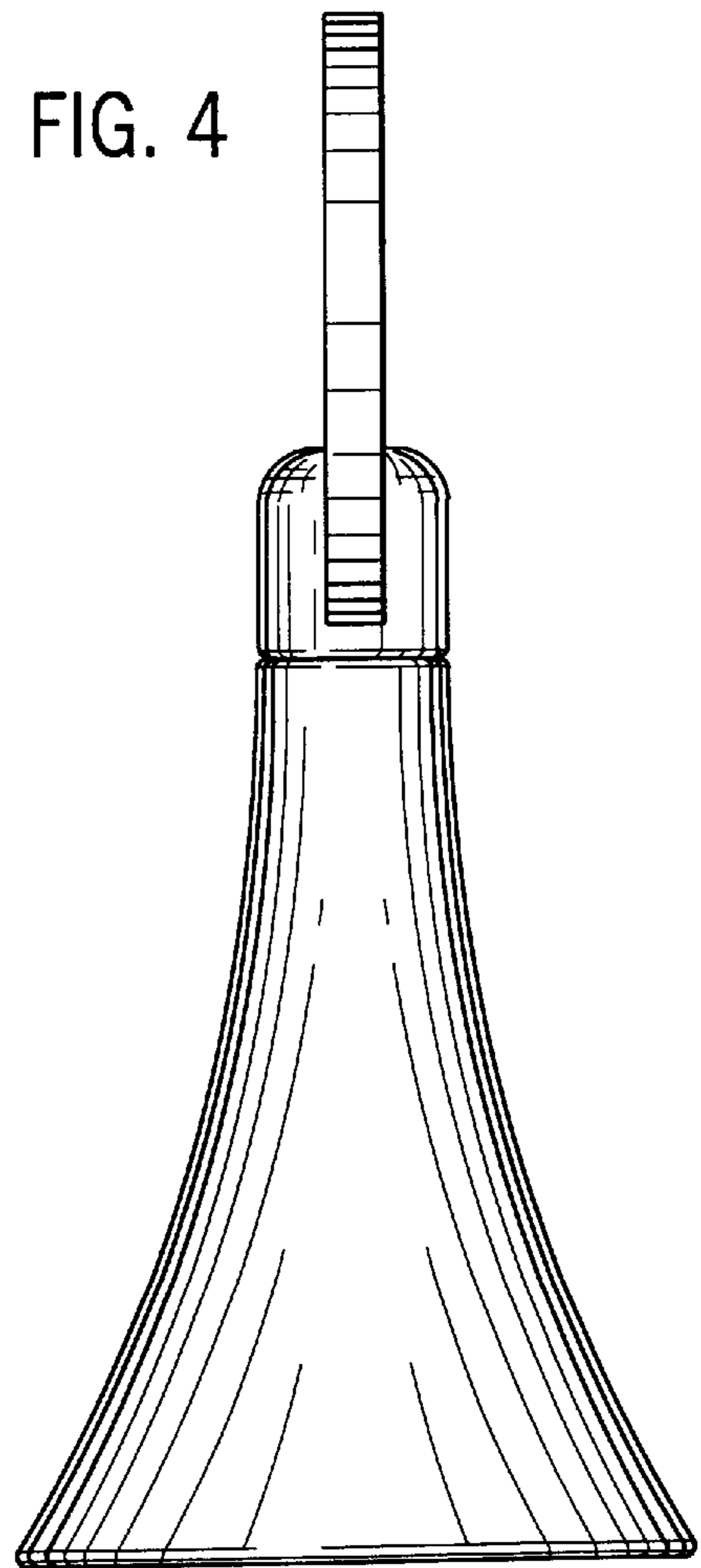
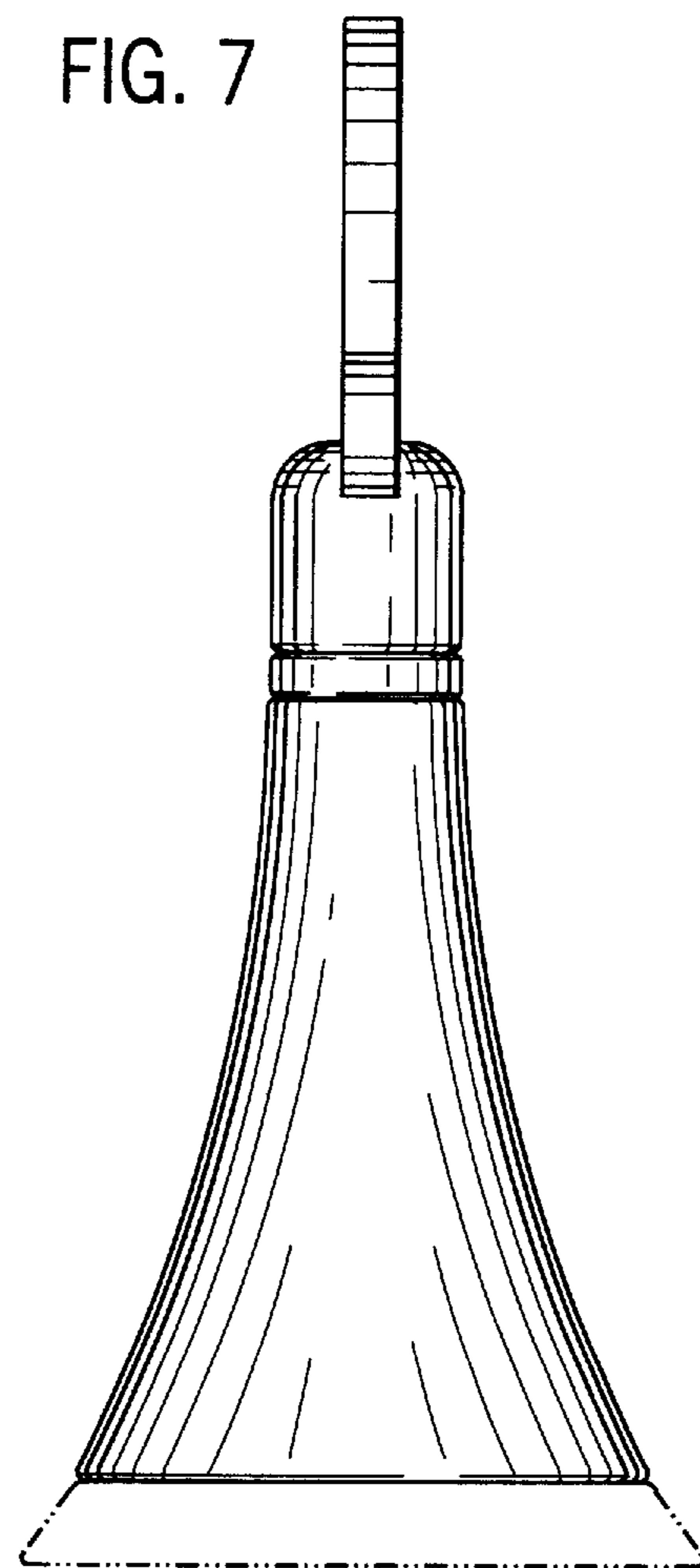
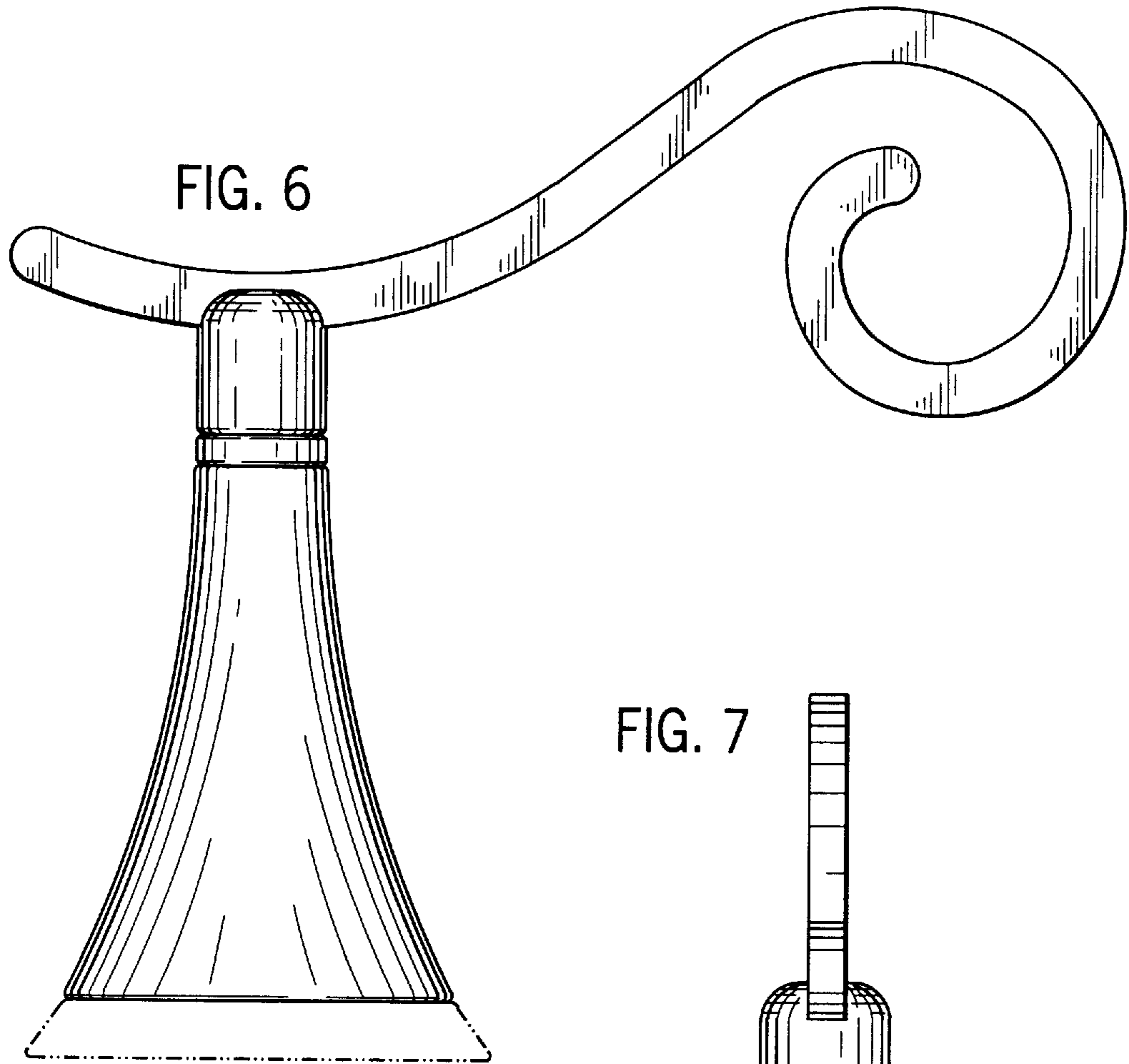


FIG. 4





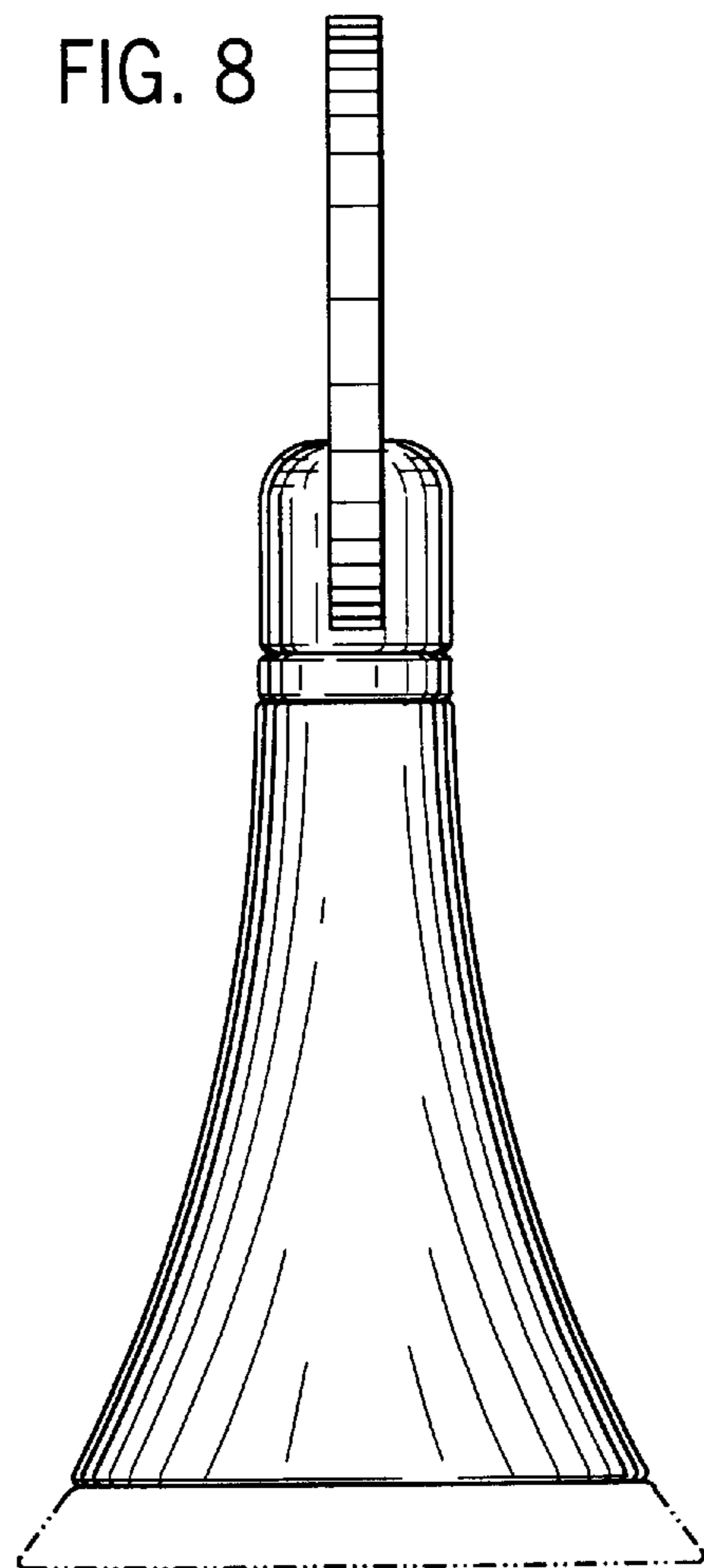
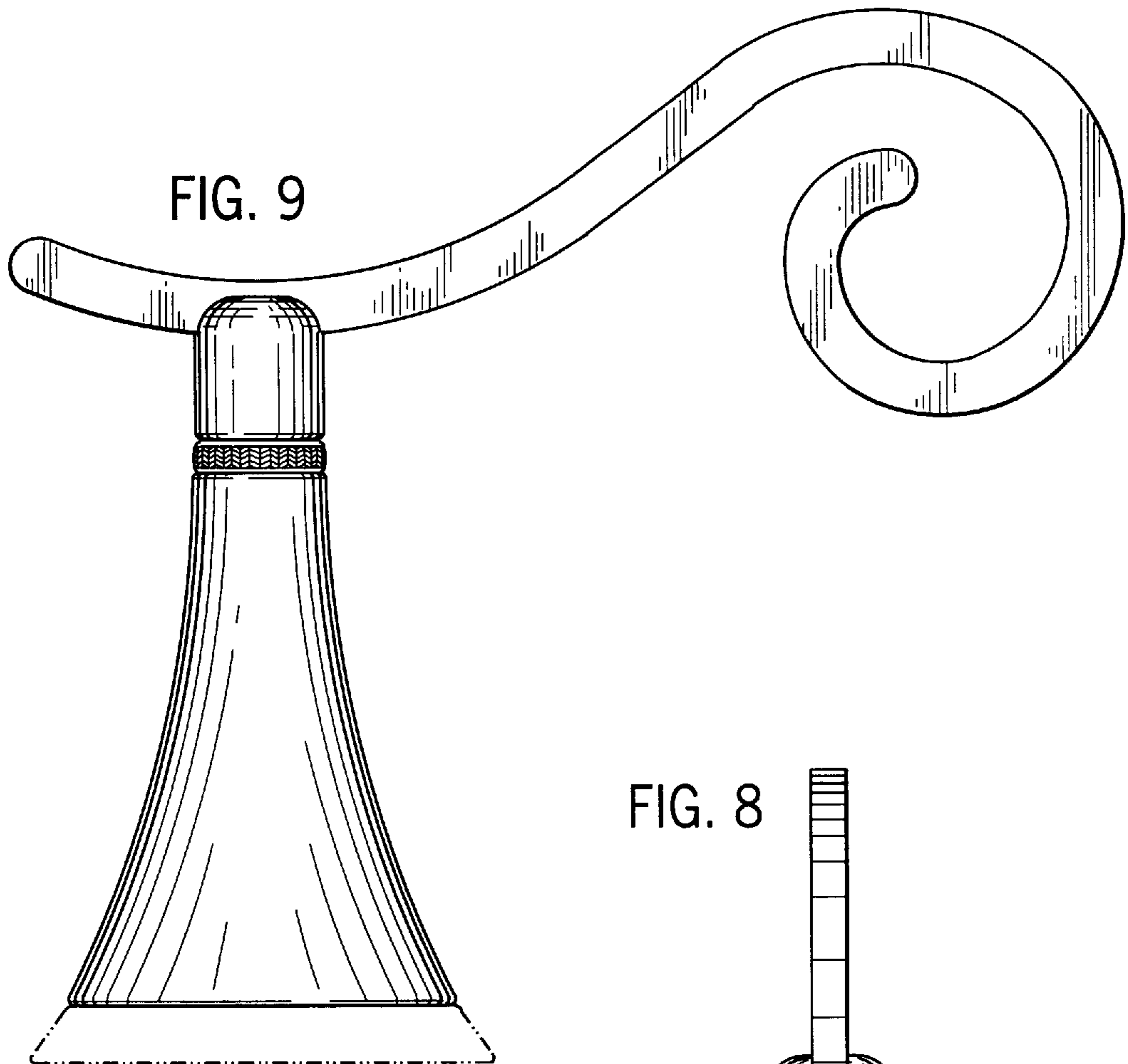


FIG. 10

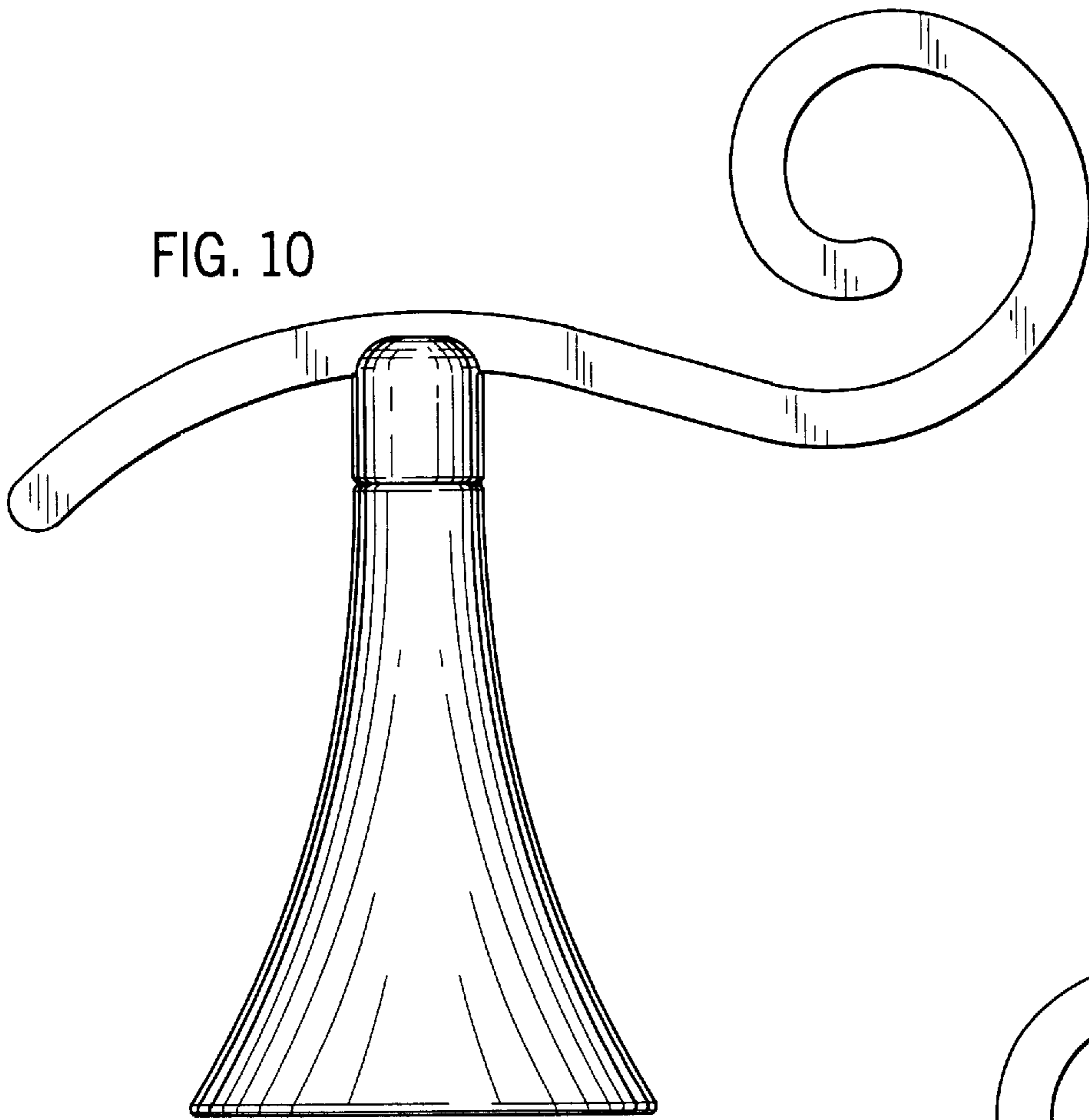
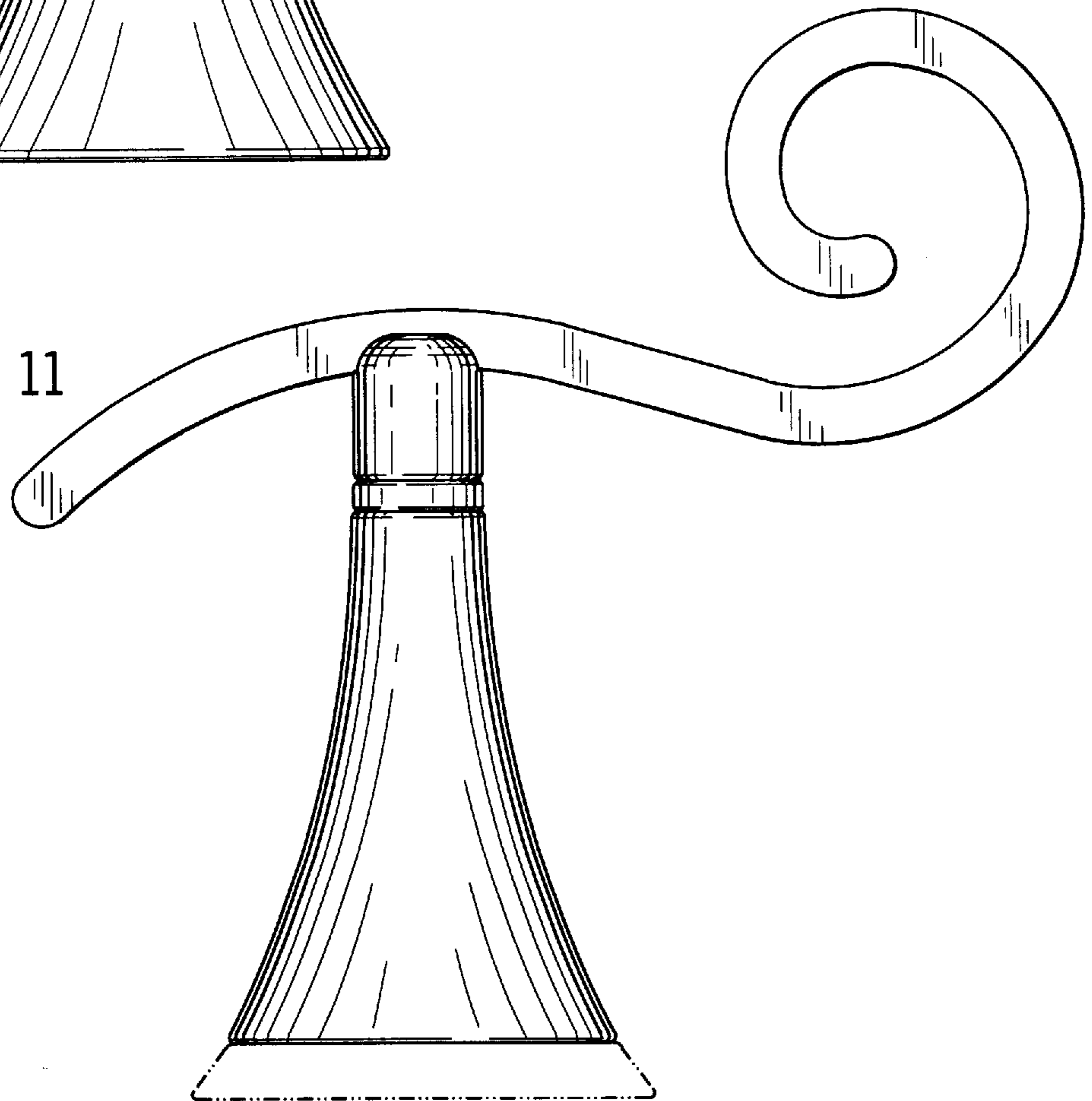


FIG. 11



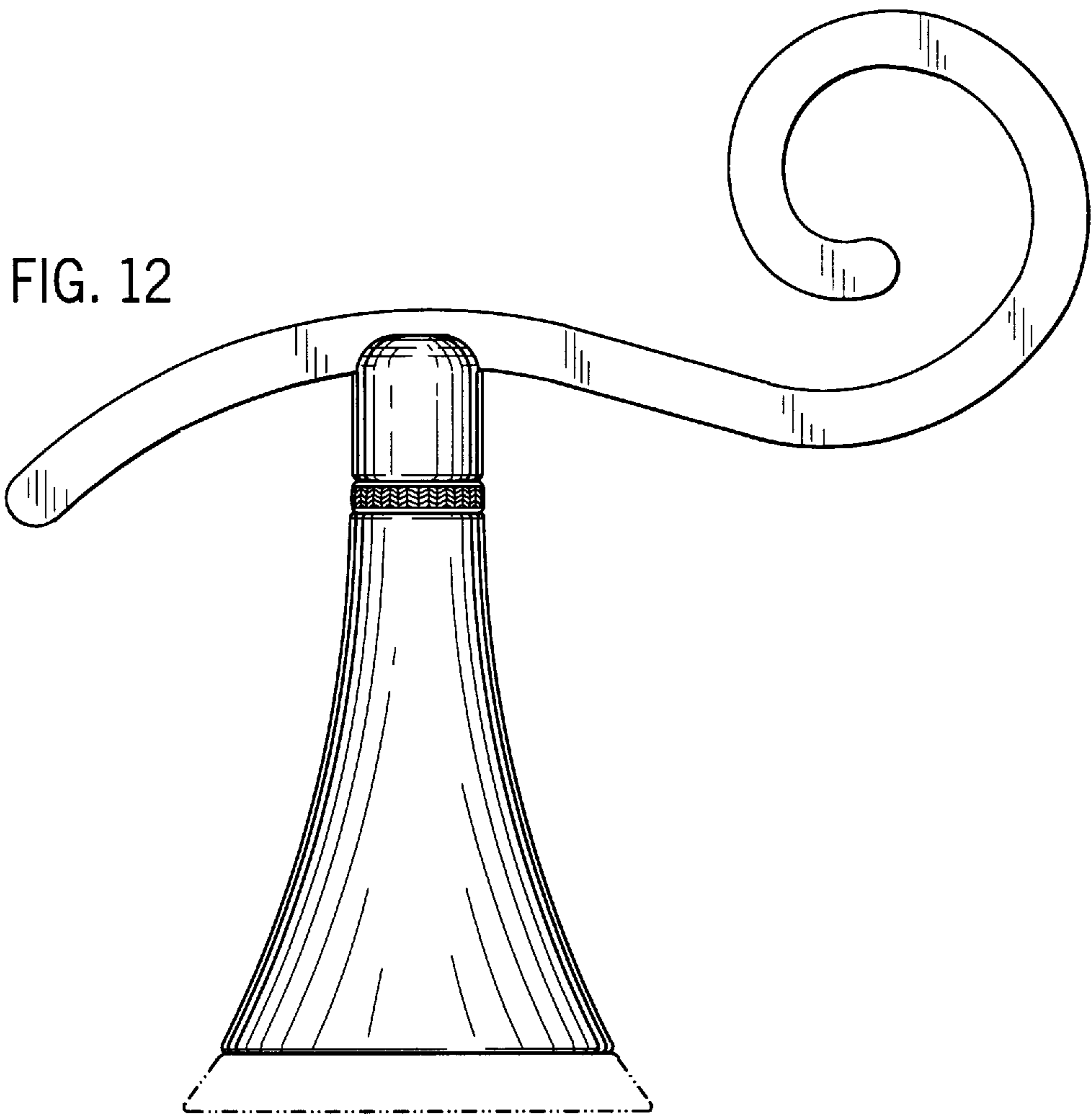


FIG. 13

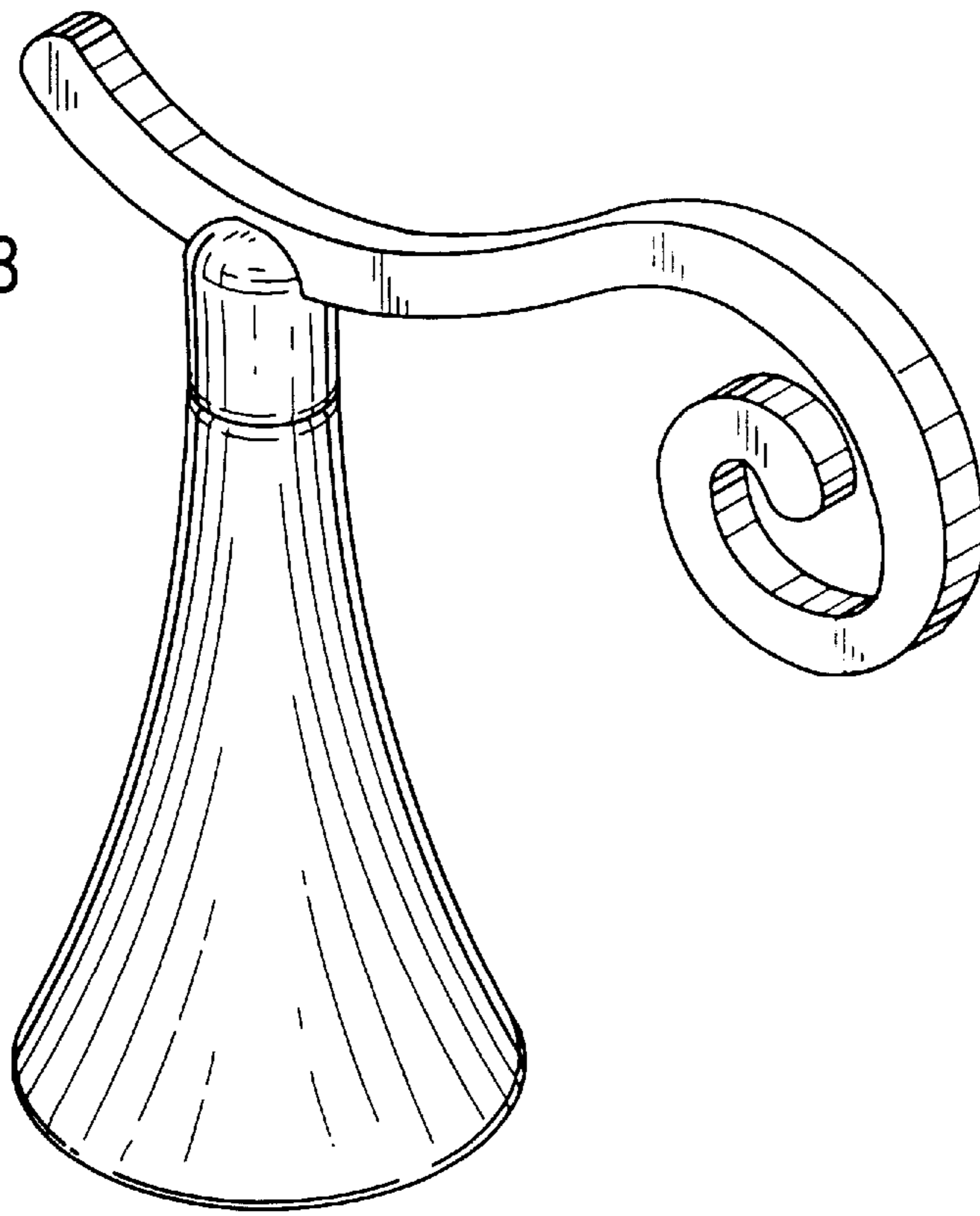


FIG. 14

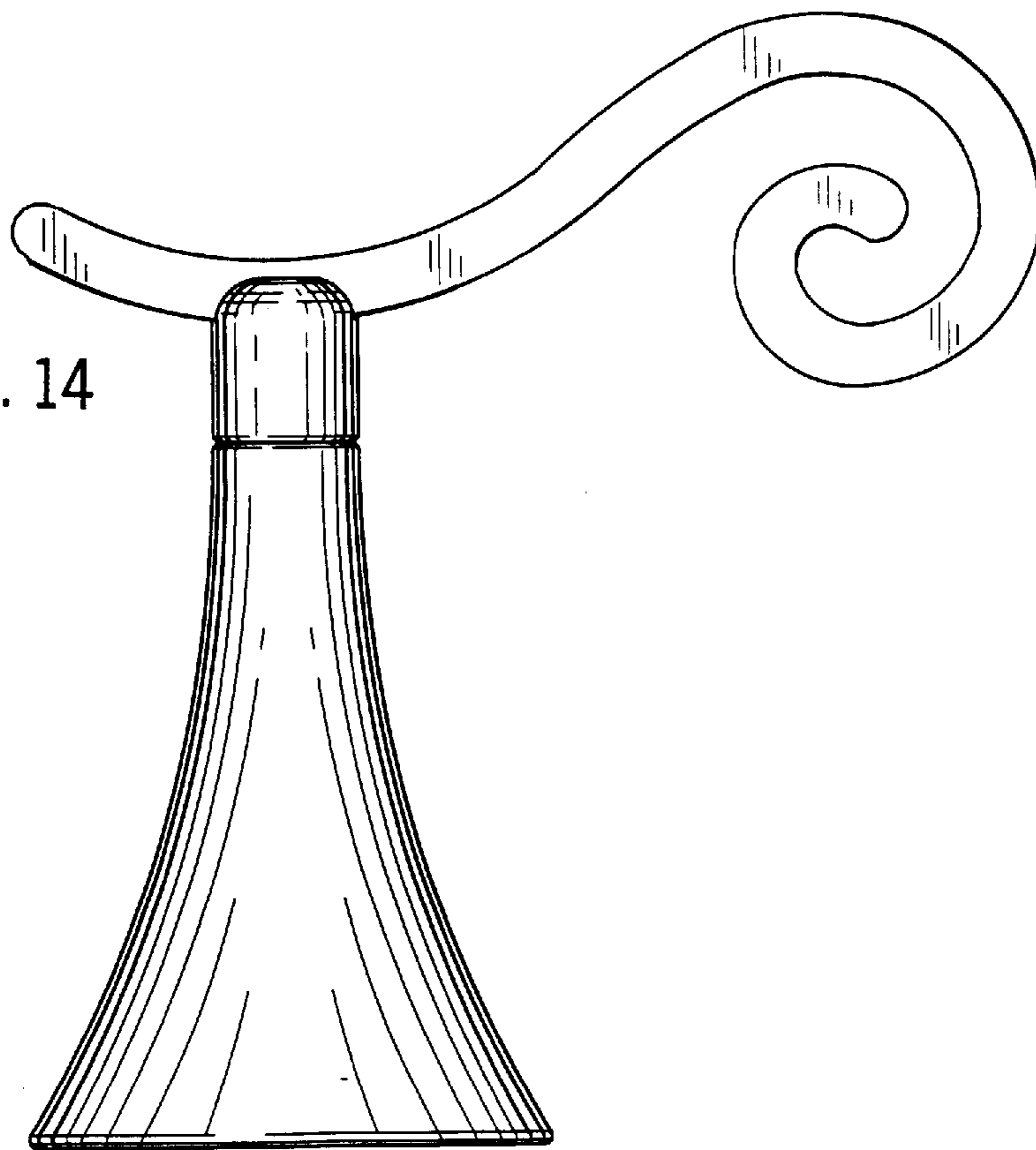


FIG. 17

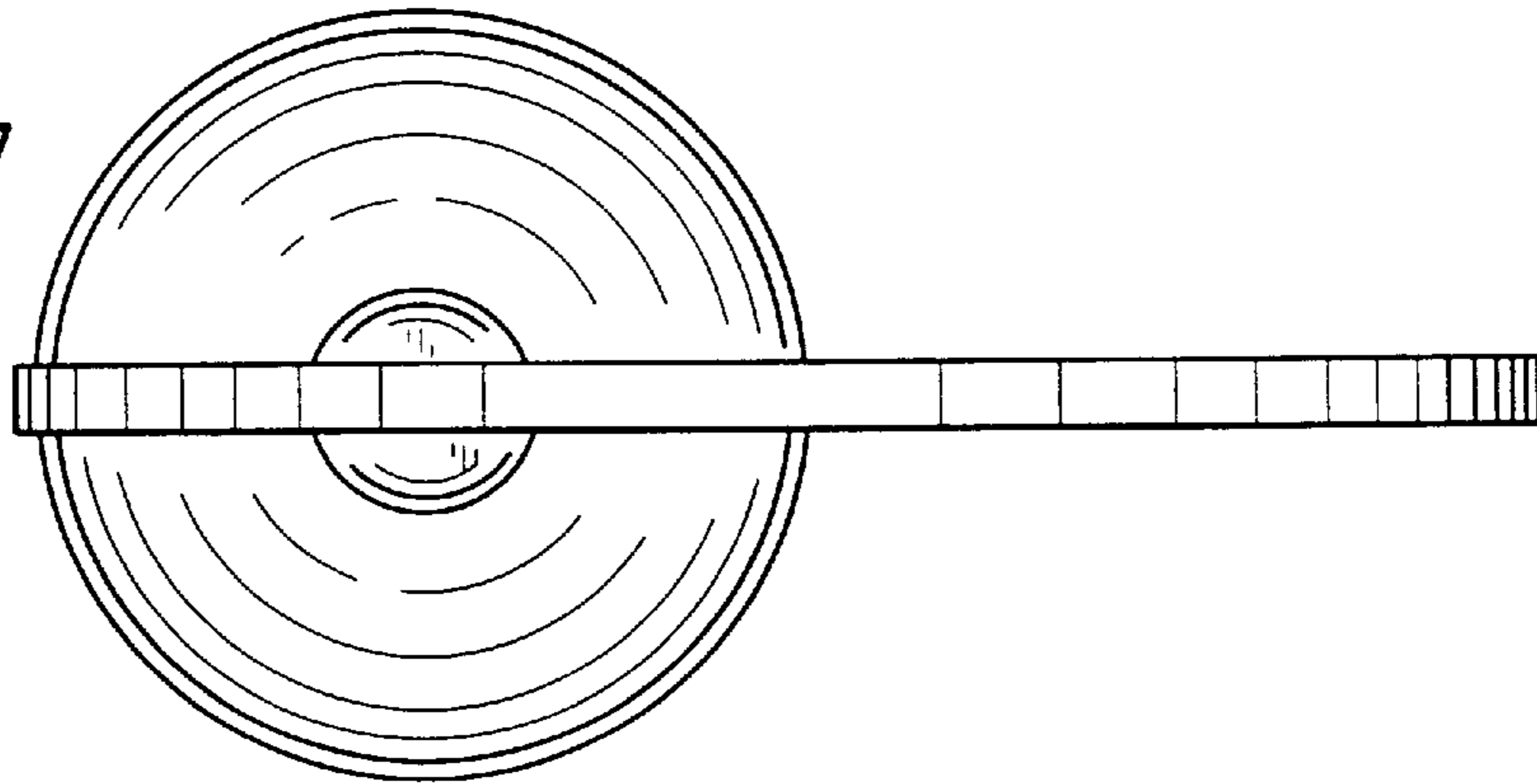


FIG. 15

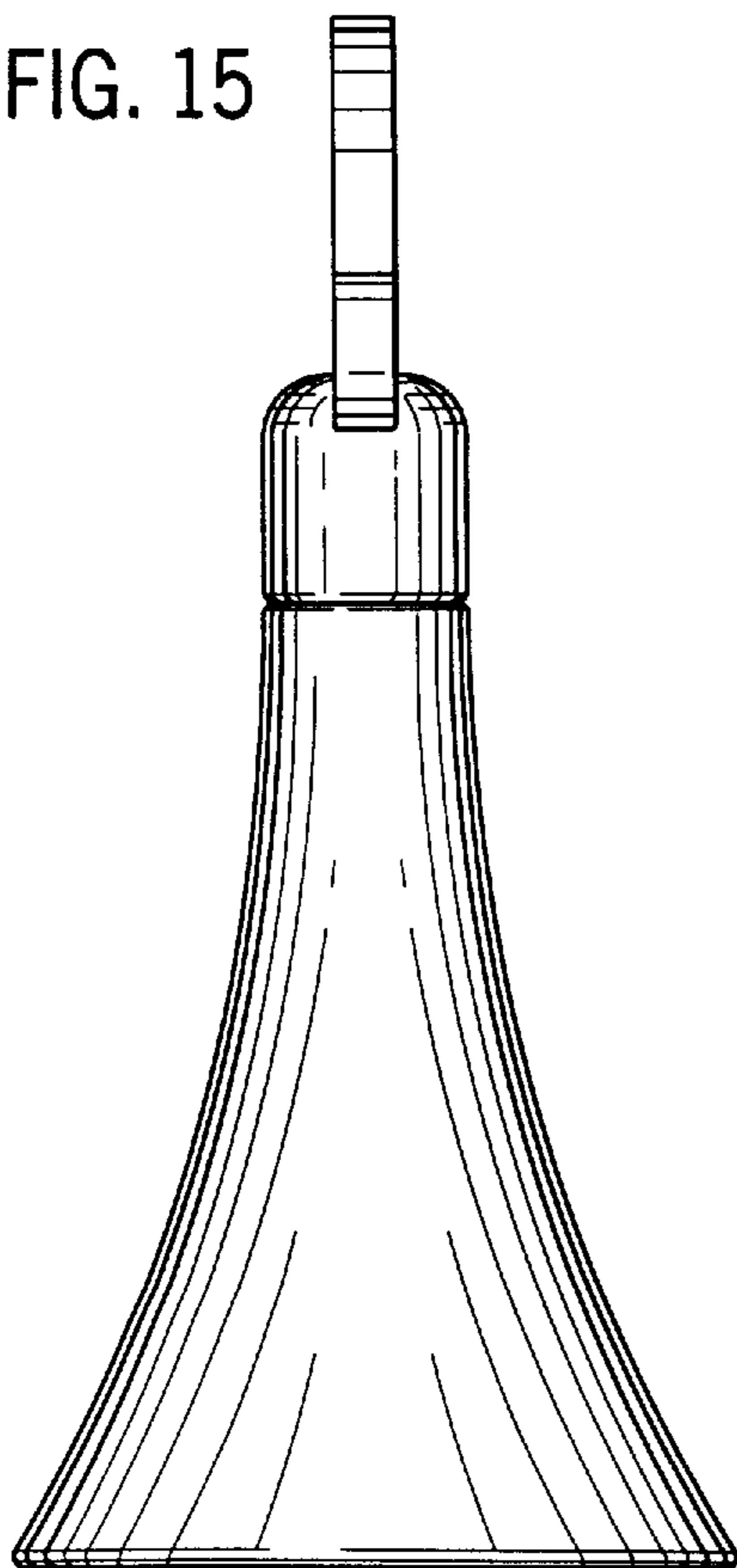


FIG. 16

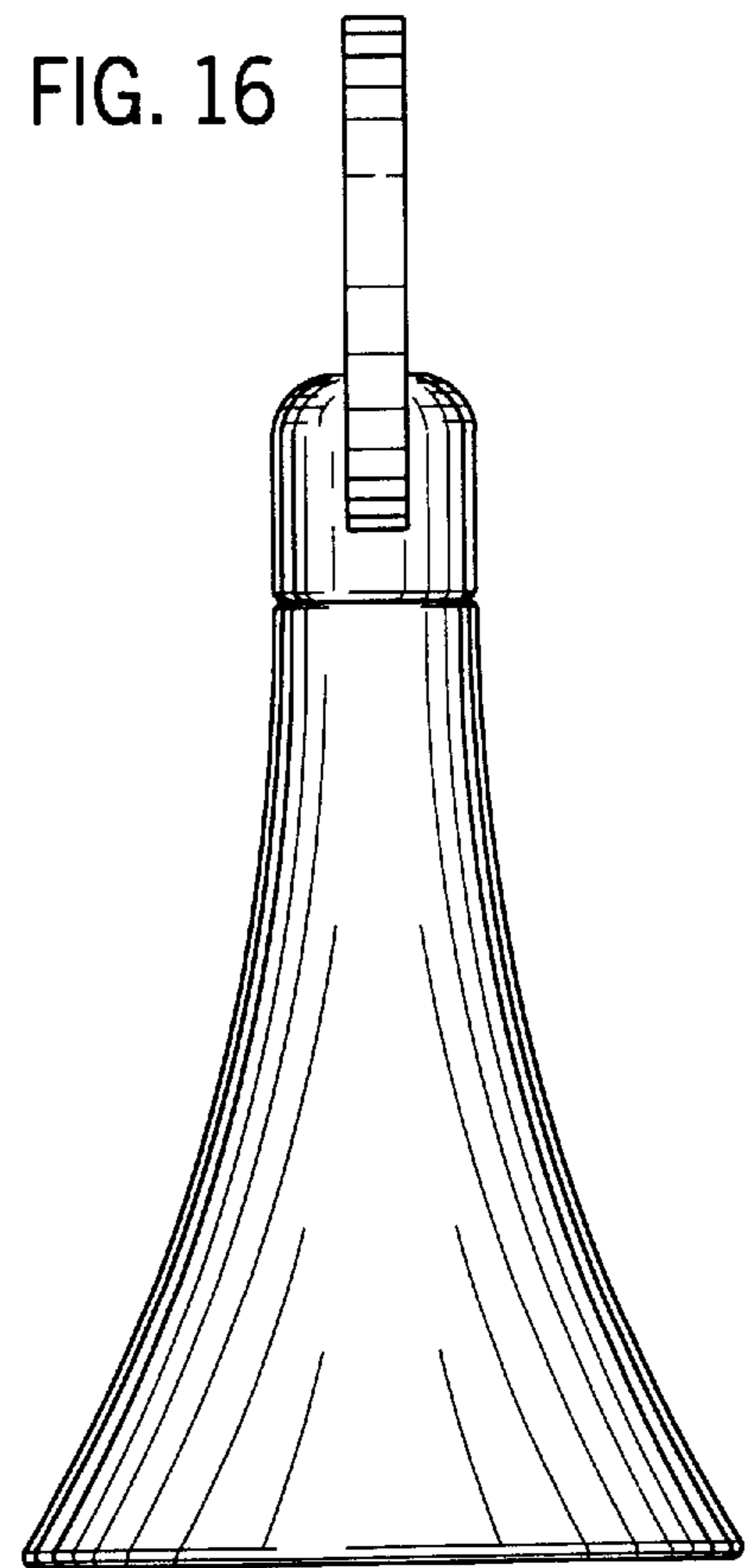


FIG. 18

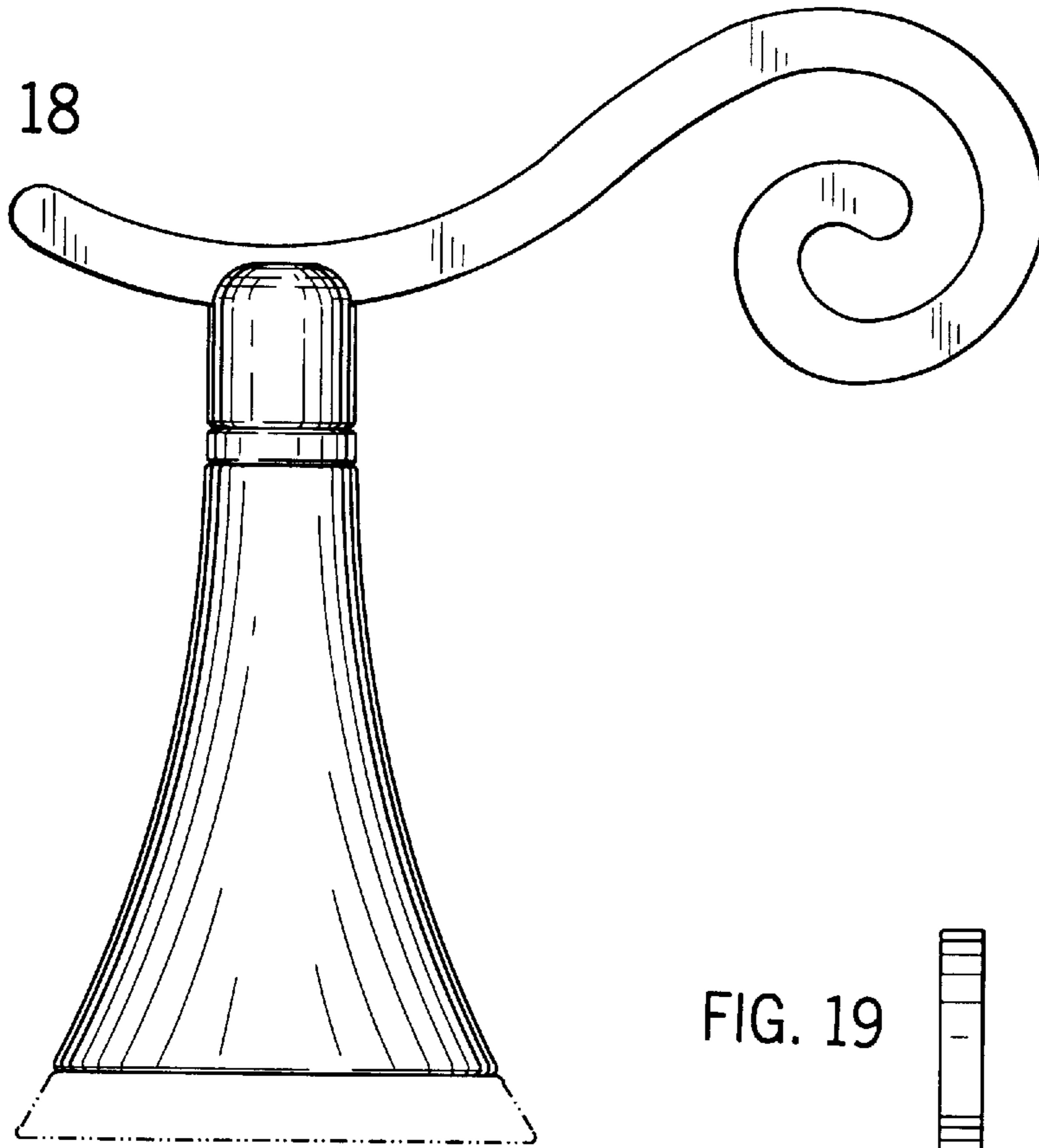


FIG. 19

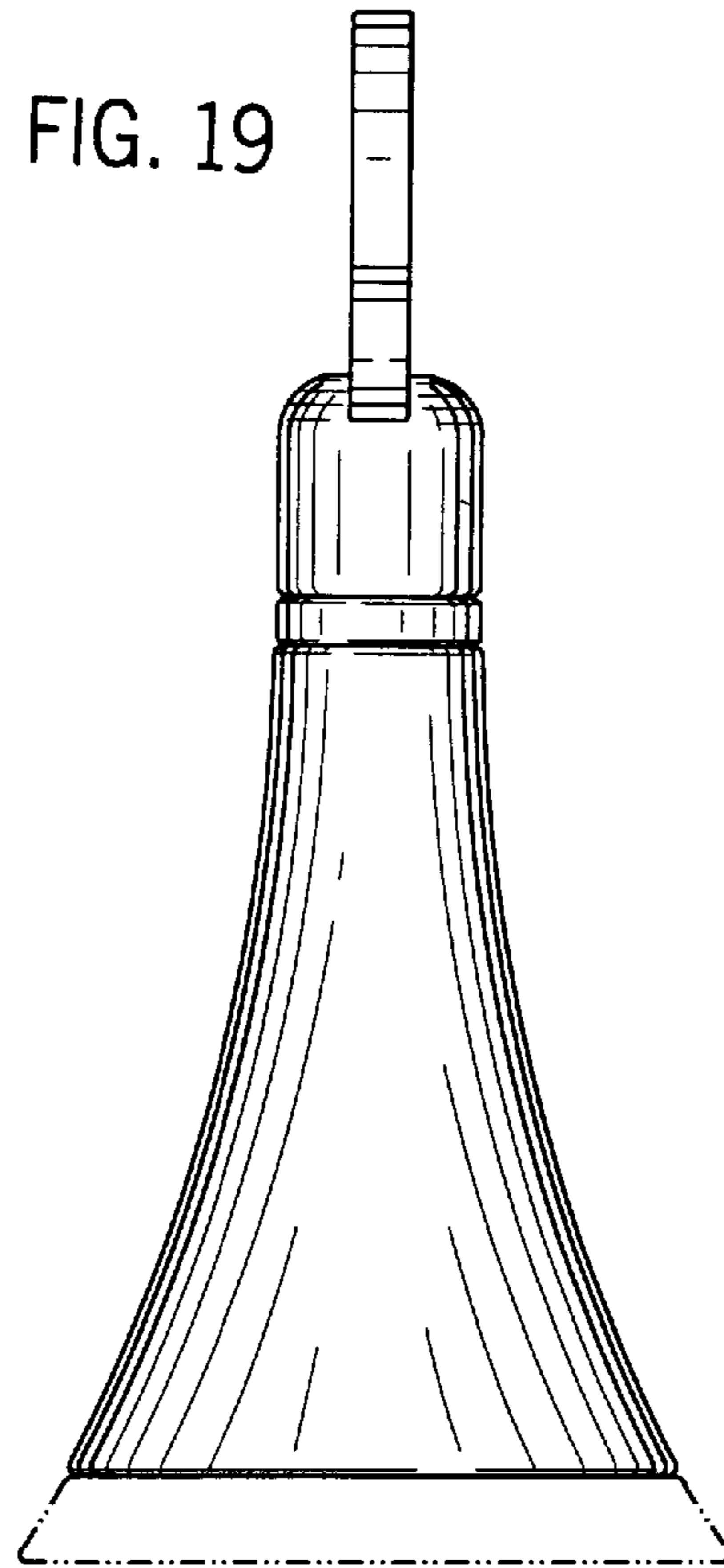


FIG. 21

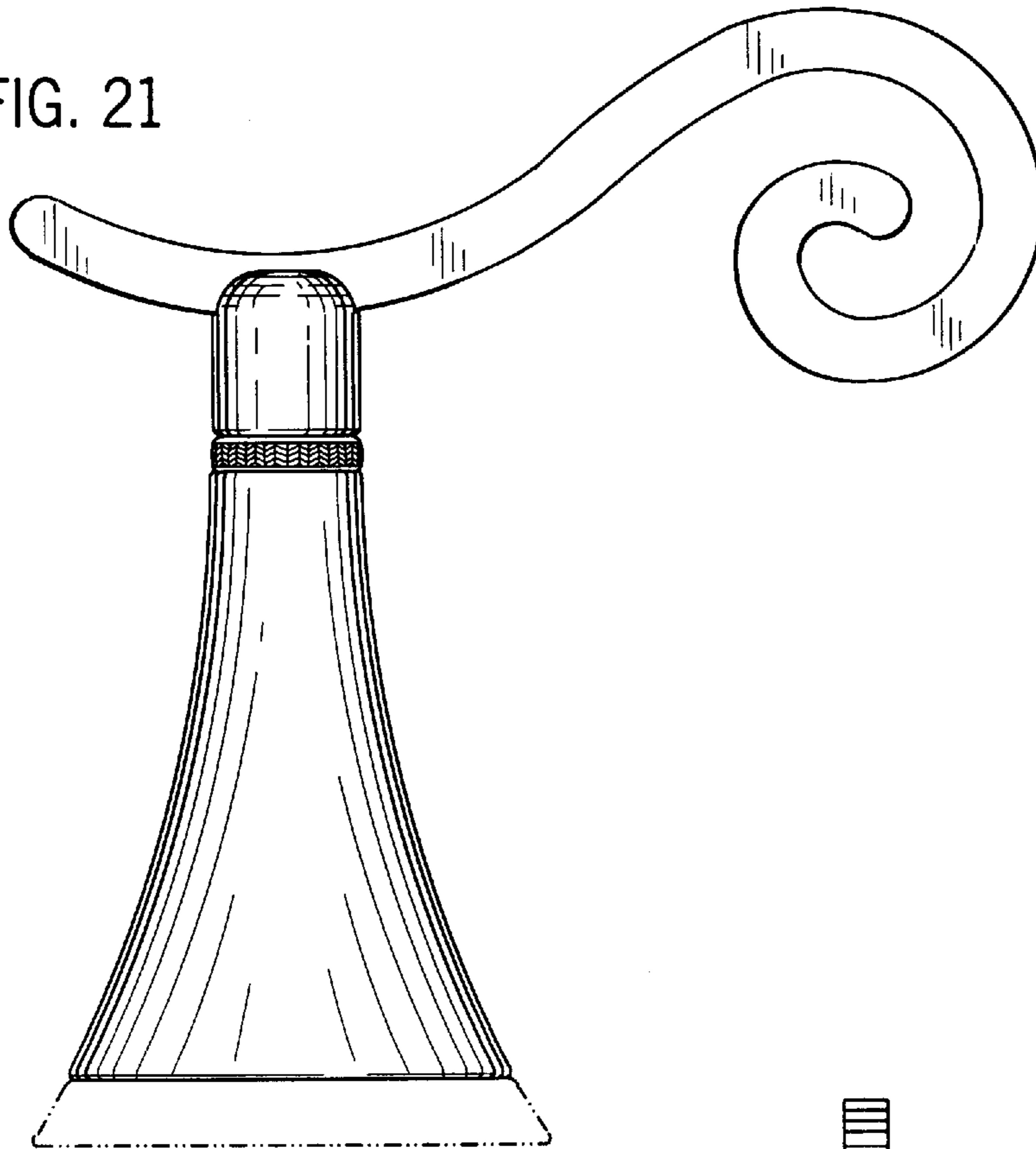
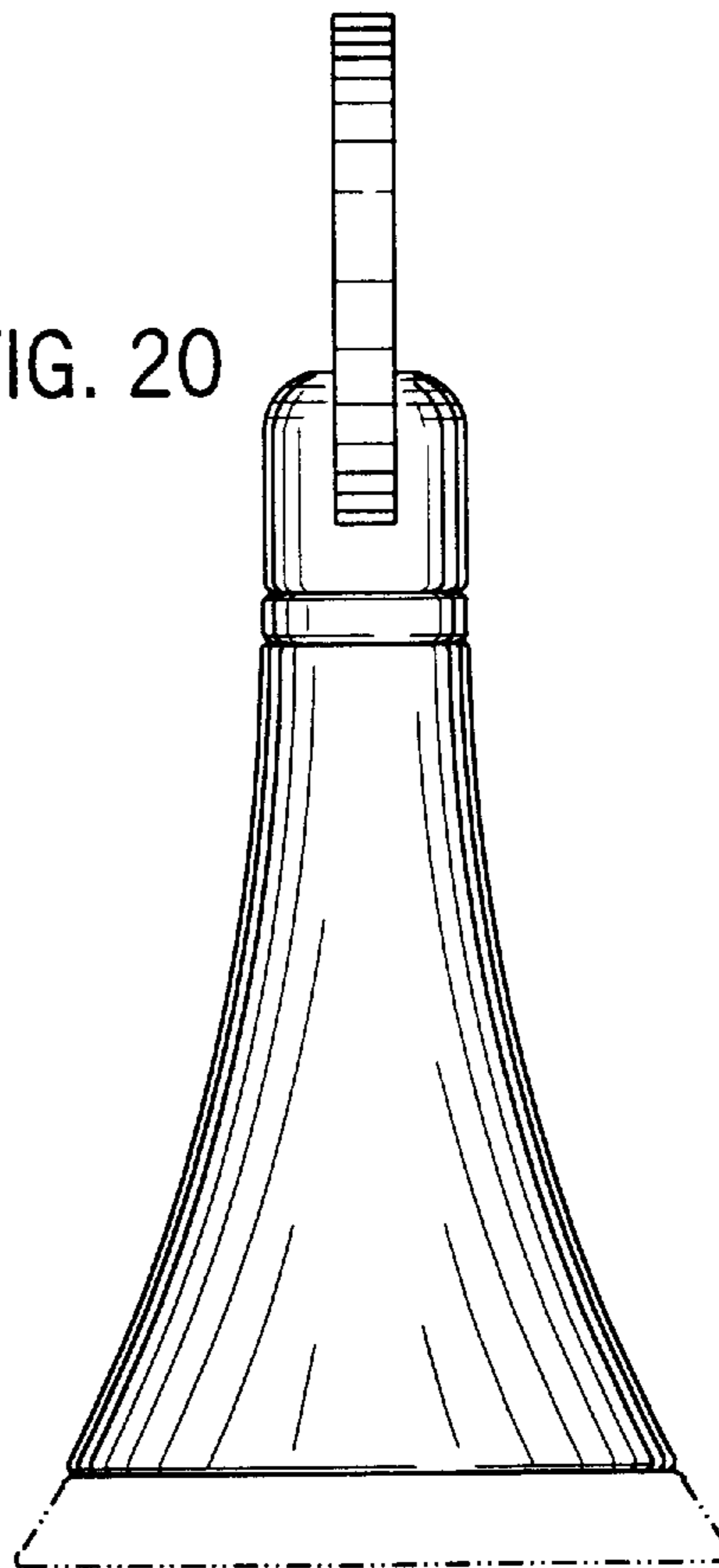


FIG. 20



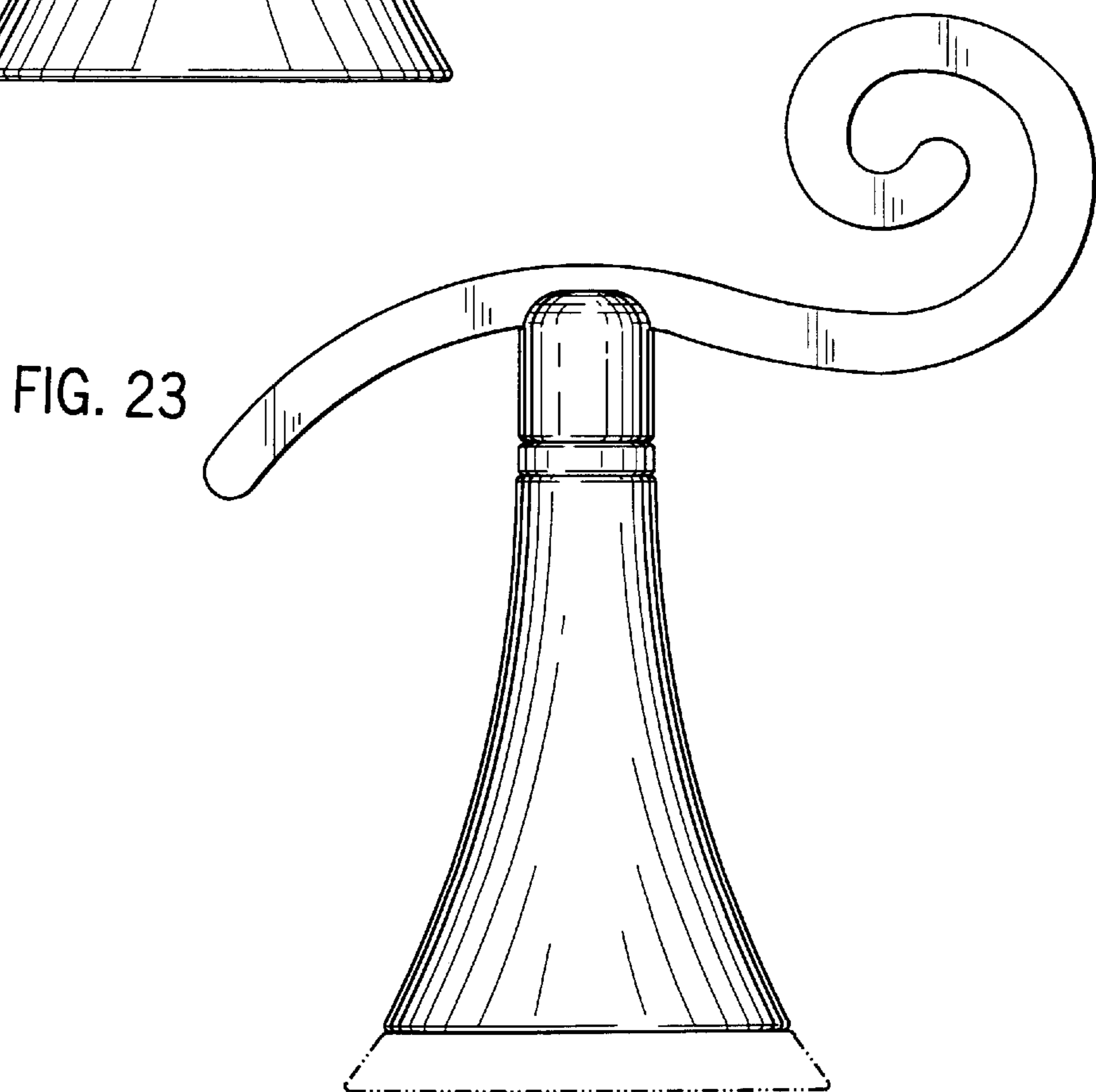
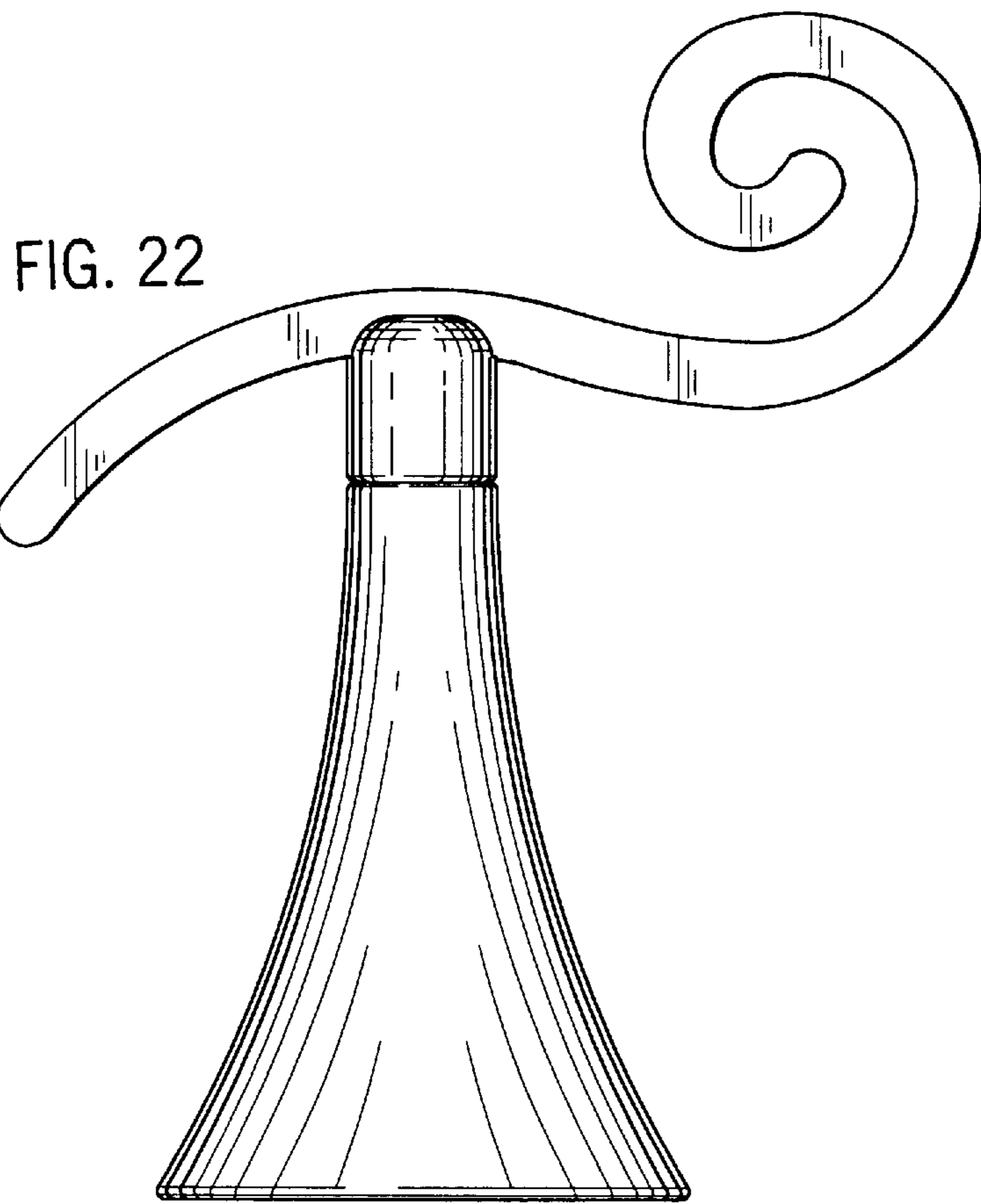


FIG. 24

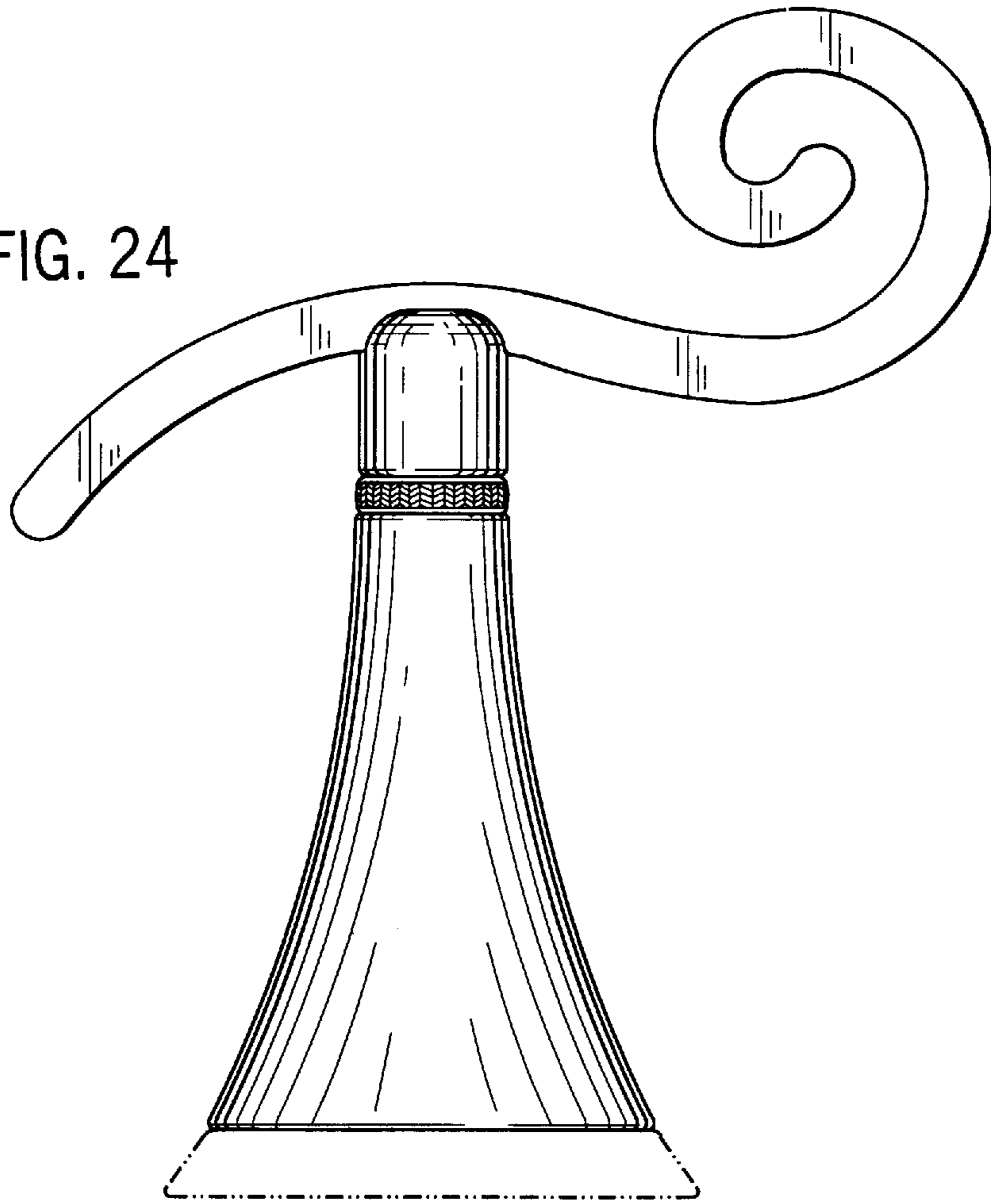


FIG. 25

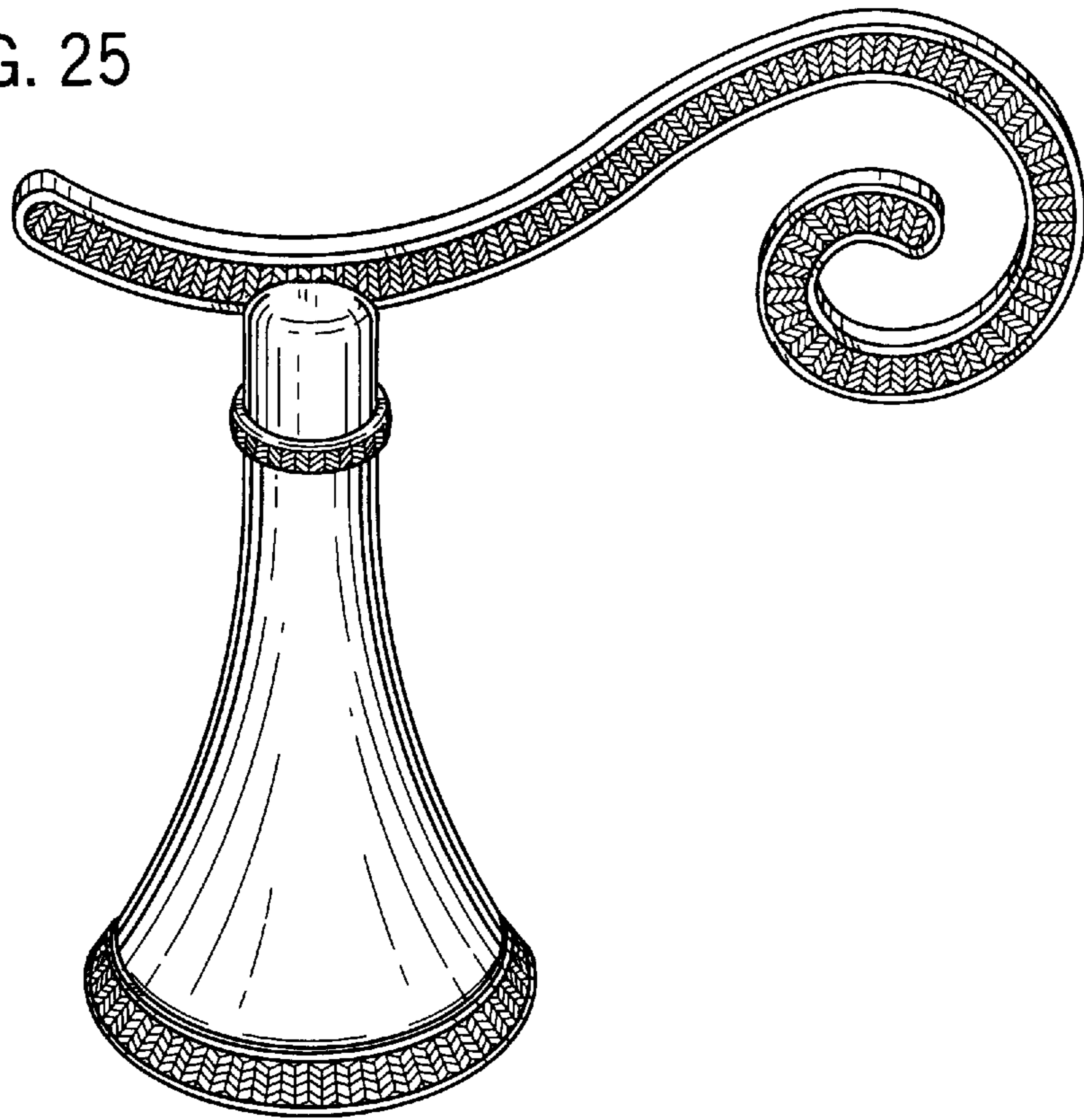


FIG. 26



UNITED STATES PATENT AND TRADEMARK OFFICE
CERTIFICATE OF CORRECTION

PATENT NO. : D398,376
DATED : September 15, 1998
INVENTOR(S) : Jill E. Hundley, et al.

It is certified that error appears in the above-identified patent and that said Letters Patent is hereby corrected as shown below:

In the Fig. 9 description replace "space" with
--spacer--.

In the Fig. 10 description insert --a-- before
"fourth".

In the Fig. 13 description replace "seveth" with
--seventh--.

Signed and Sealed this
Twelfth Day of January, 1999

Attest:



Attesting Officer

Acting Commissioner of Patents and Trademarks