



US00D398375S

United States Patent [19]

Lynch et al.

[11] Patent Number: **Des. 398,375**

[45] Date of Patent: ****Sep. 15, 1998**

[54] **MANIFOLD**

[75] Inventors: **Jeffrey T. Lynch**, Sugar Land; **Chris M. Yohner**, Houston, both of Tex.

[73] Assignee: **Keystone International Holdings Corp.**, Houston, Tex.

[**] Term: **14 Years**

[21] Appl. No.: **52,417**

[22] Filed: **Mar. 29, 1996**

[51] **LOC (6) Cl.** **23-01**

[52] **U.S. Cl.** **D23/245**

[58] **Field of Search** D23/233, 245, D23/247; D10/85, 99; 137/595, 597

[56] **References Cited**

U.S. PATENT DOCUMENTS

- D. 197,755 3/1964 Myers D23/247
- D. 297,256 8/1988 Schwarz D23/233

- 3,596,680 8/1971 Adams 137/597 X
- 4,596,426 6/1986 Clapp 137/597 X
- 5,277,224 1/1994 Hutton et al. 137/597

Primary Examiner—Holly Baynham
Attorney, Agent, or Firm—Browning Bushman

[57] **CLAIM**

The ornamental design for a manifold, as shown and designed.

DESCRIPTION

FIG. 1 is a perspective view of the front and top of a manifold showing my new design; FIG. 2 is a top plan view thereof; FIG. 3 is a front, elevational view thereof; FIG. 4 is a perspective view of the rear and bottom thereof; FIG. 5 is a rear, elevational view thereof; FIG. 6 is a bottom plan view thereof; and, FIG. 7 is an elevational view of one side thereof, the other side view being identical.

1 Claim, 2 Drawing Sheets

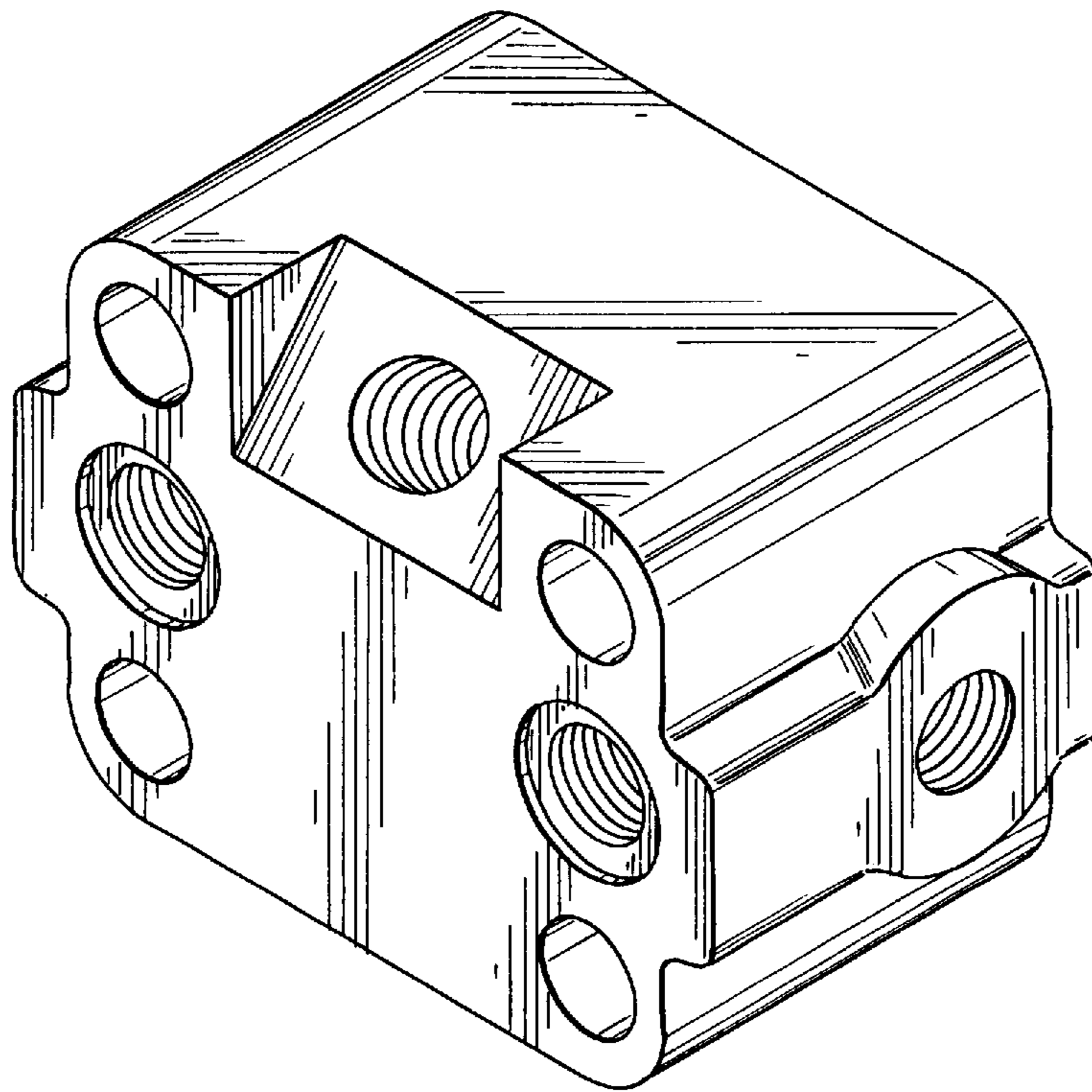


FIG. 1

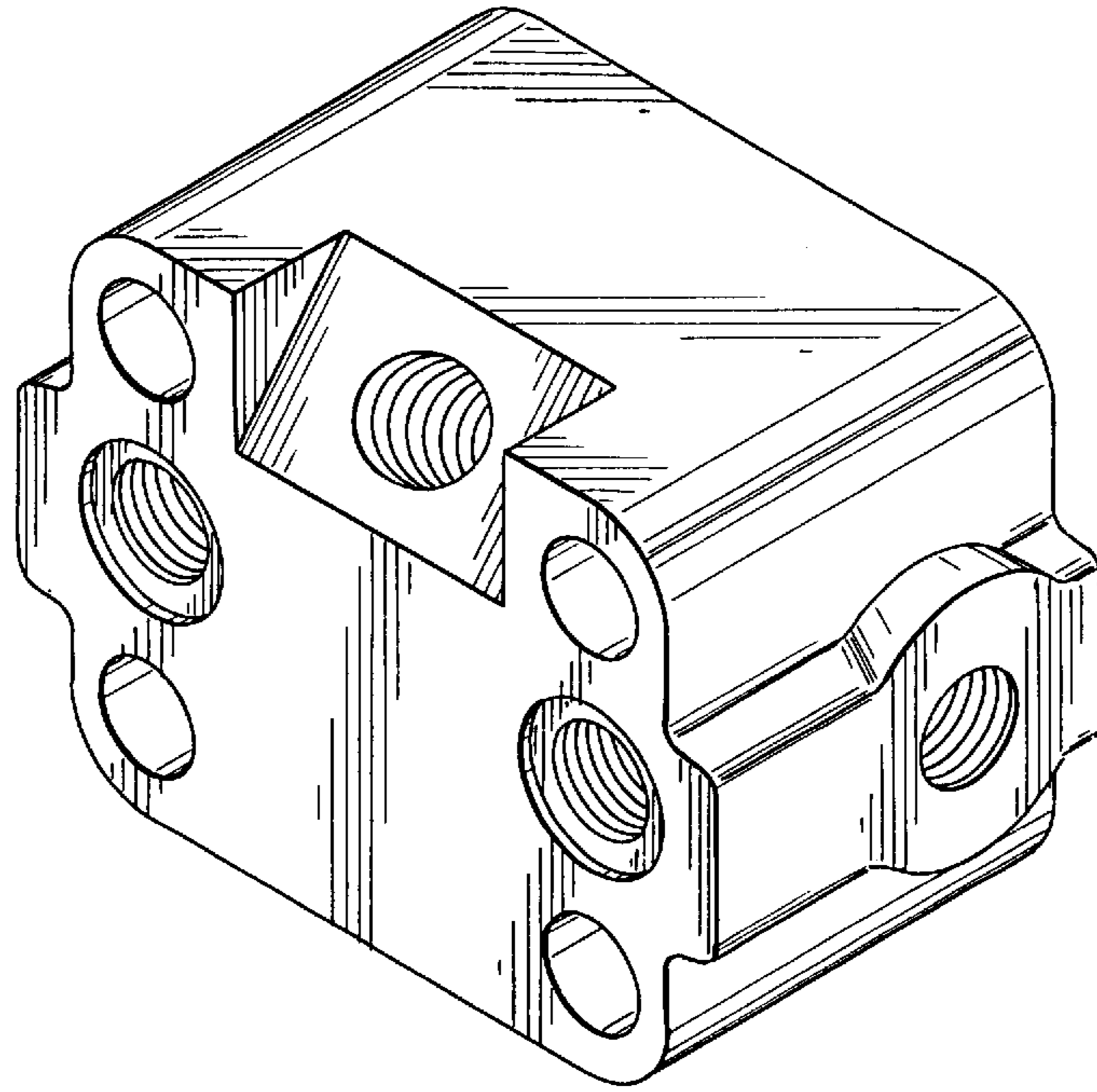


FIG. 2

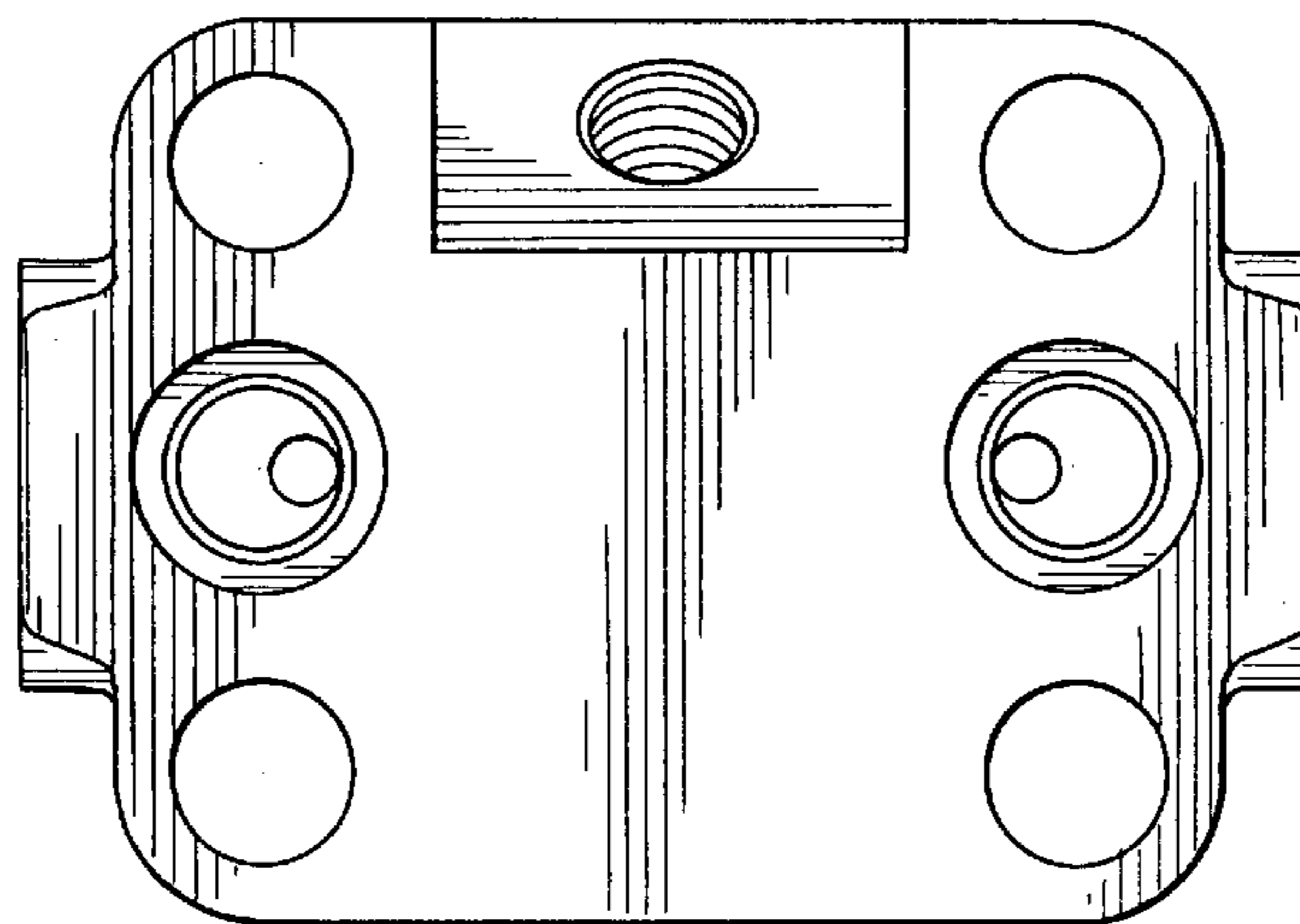
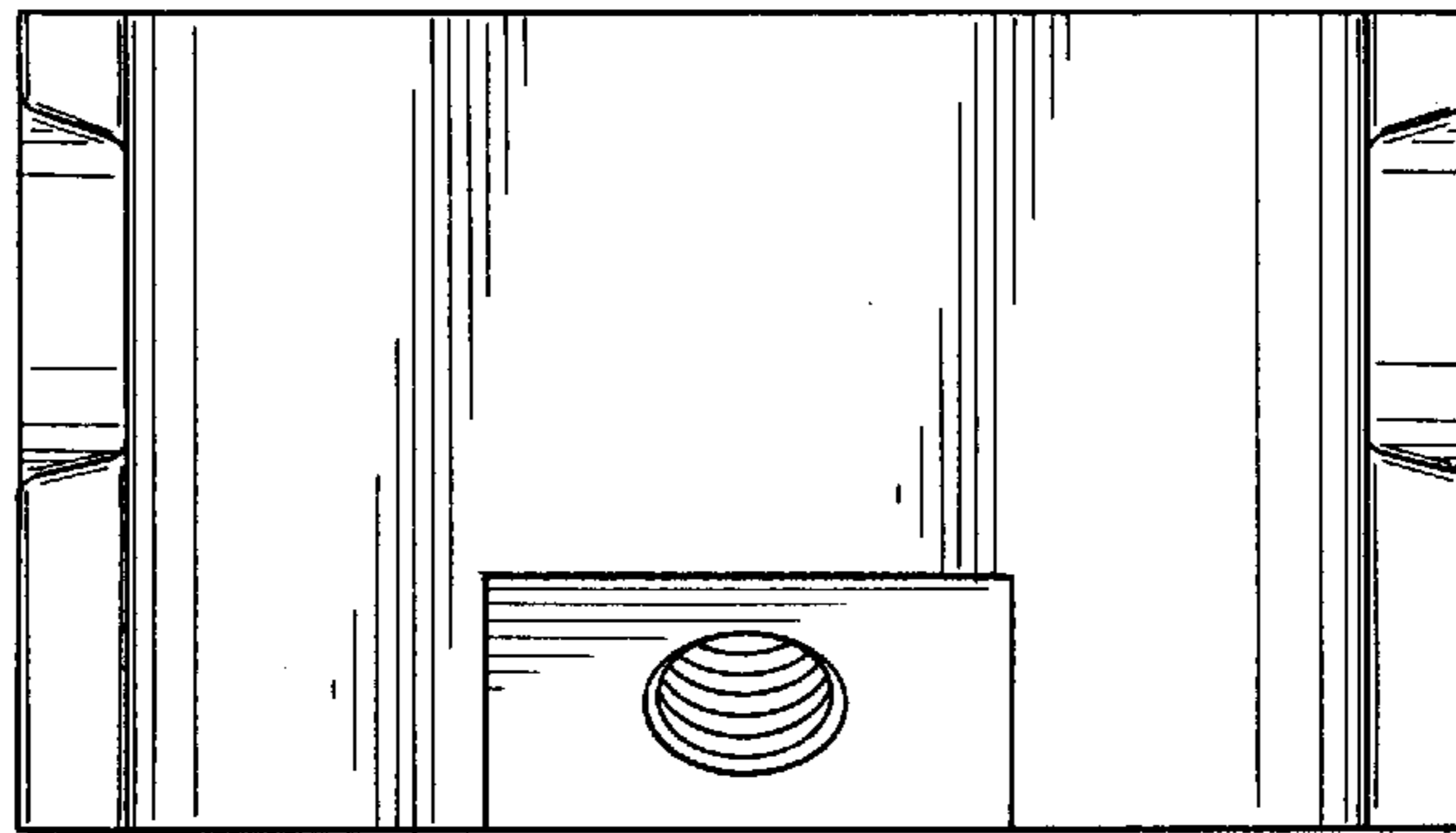


FIG. 3

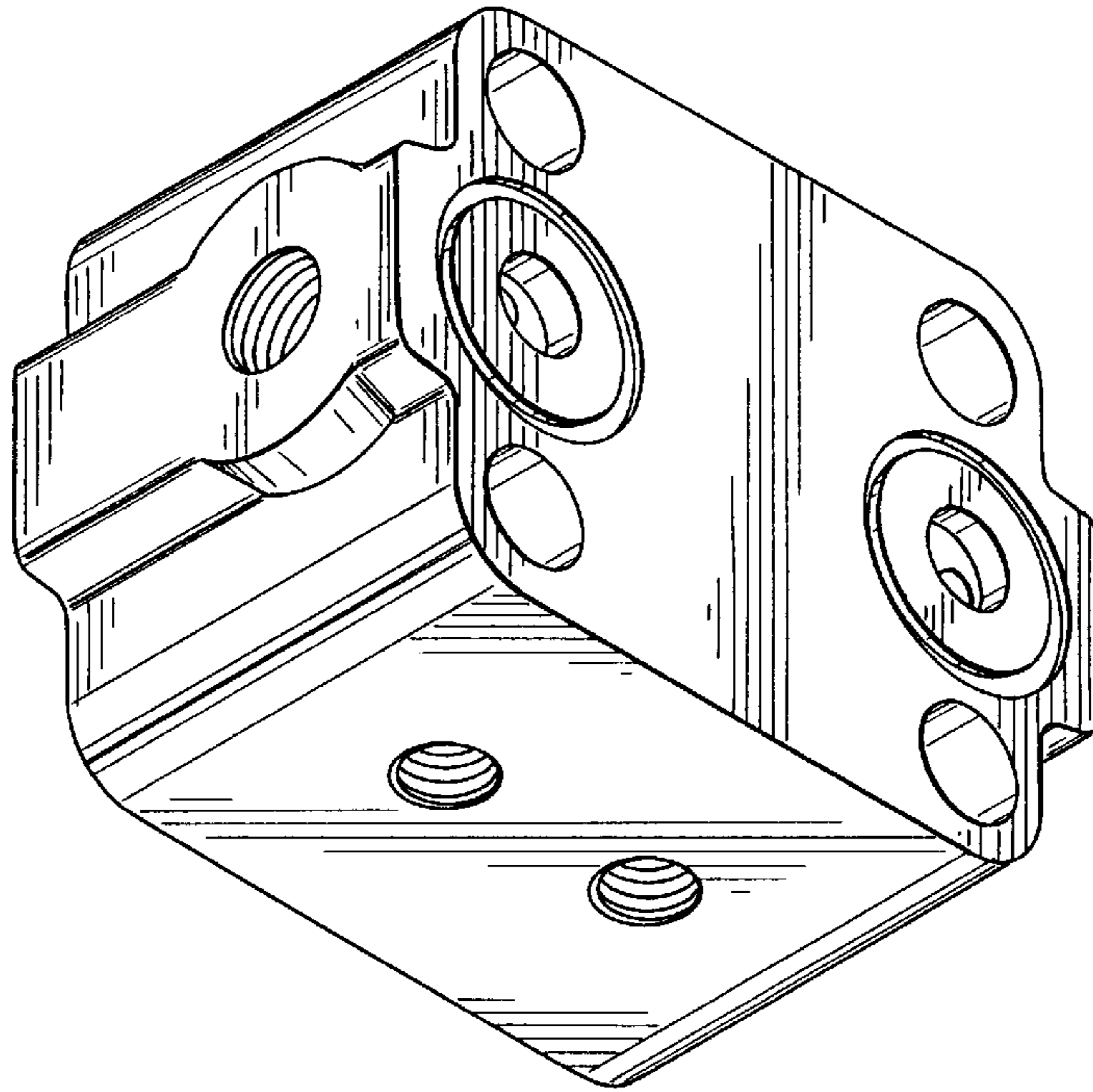


FIG. 4

FIG. 5

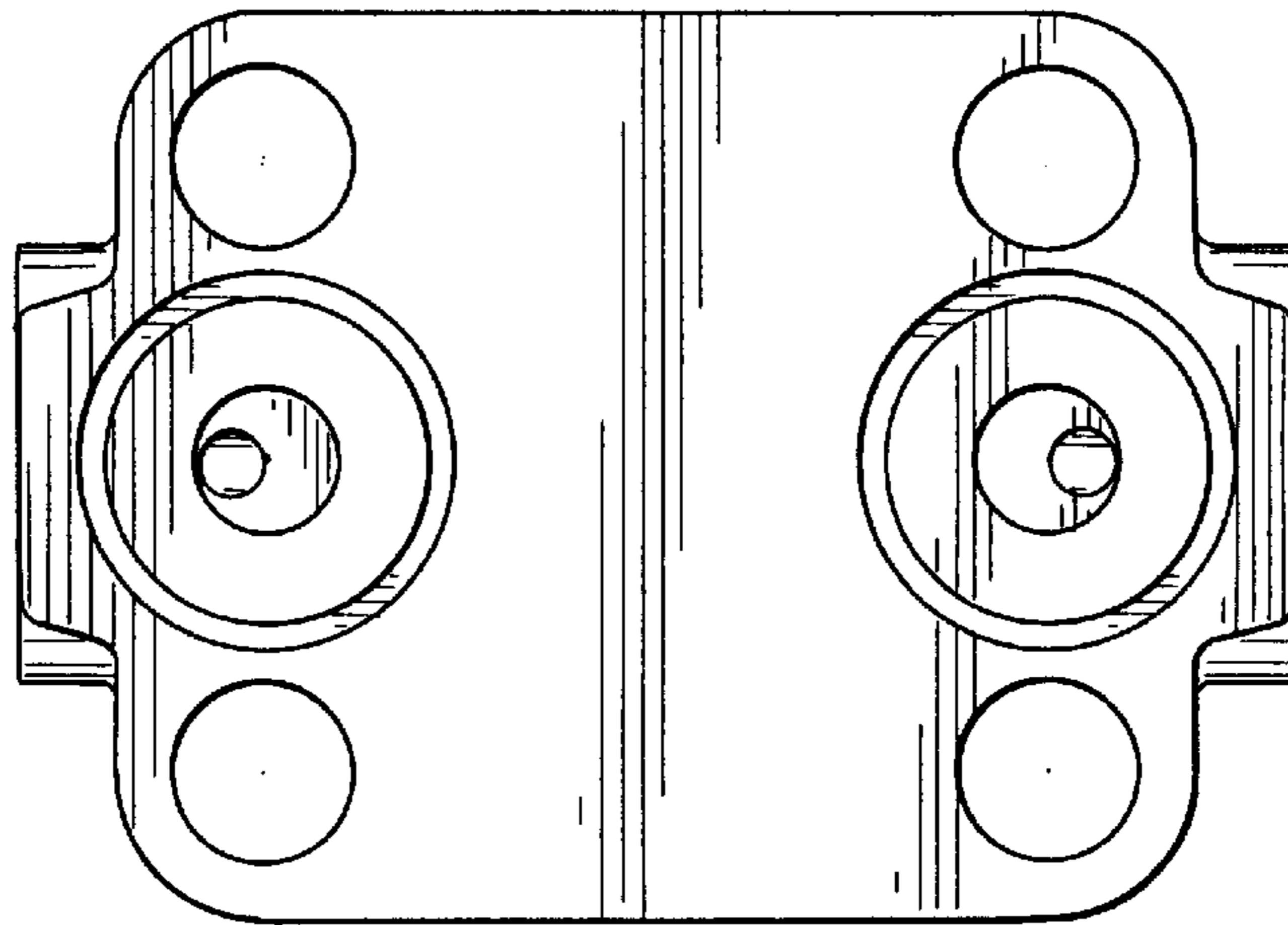


FIG. 6

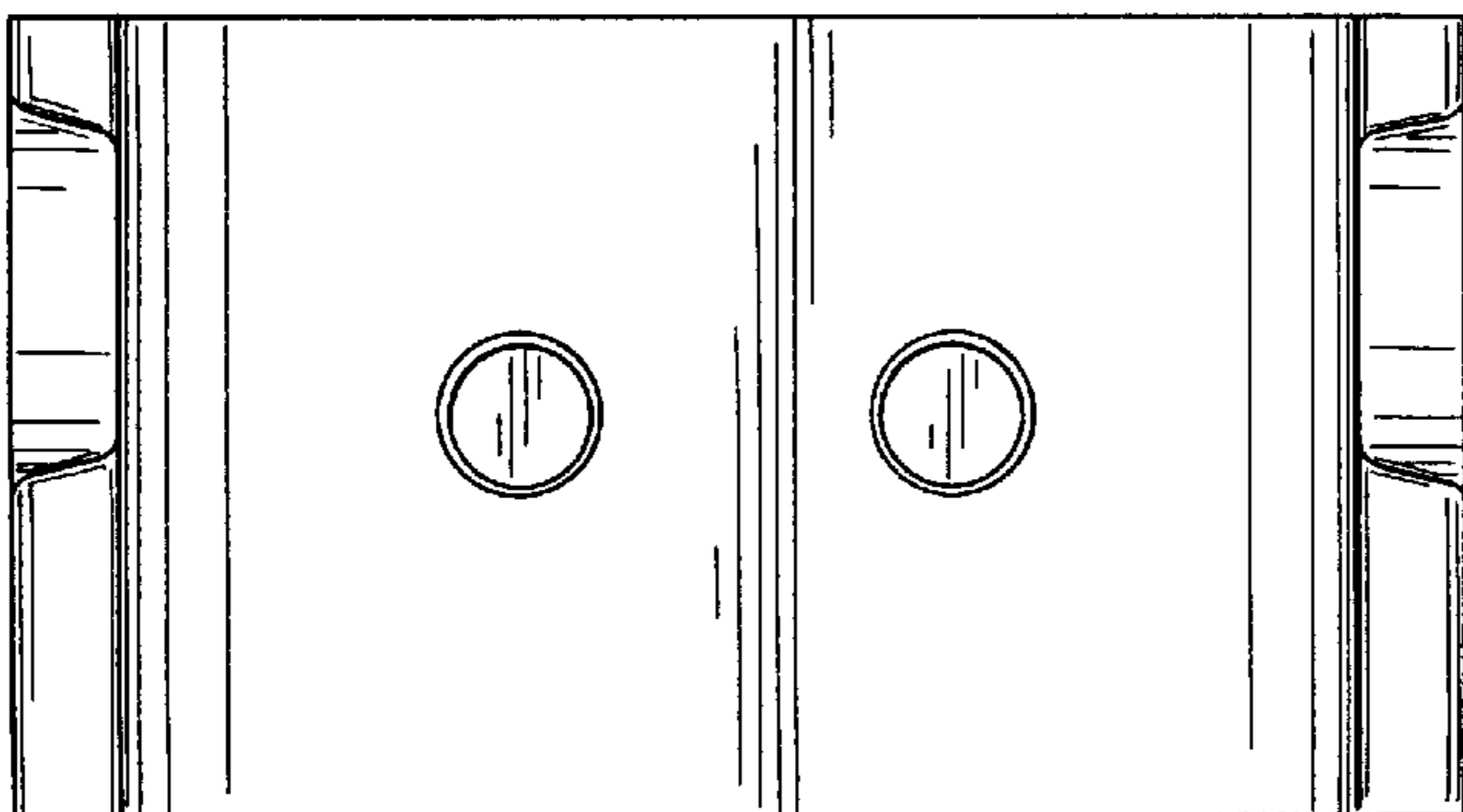
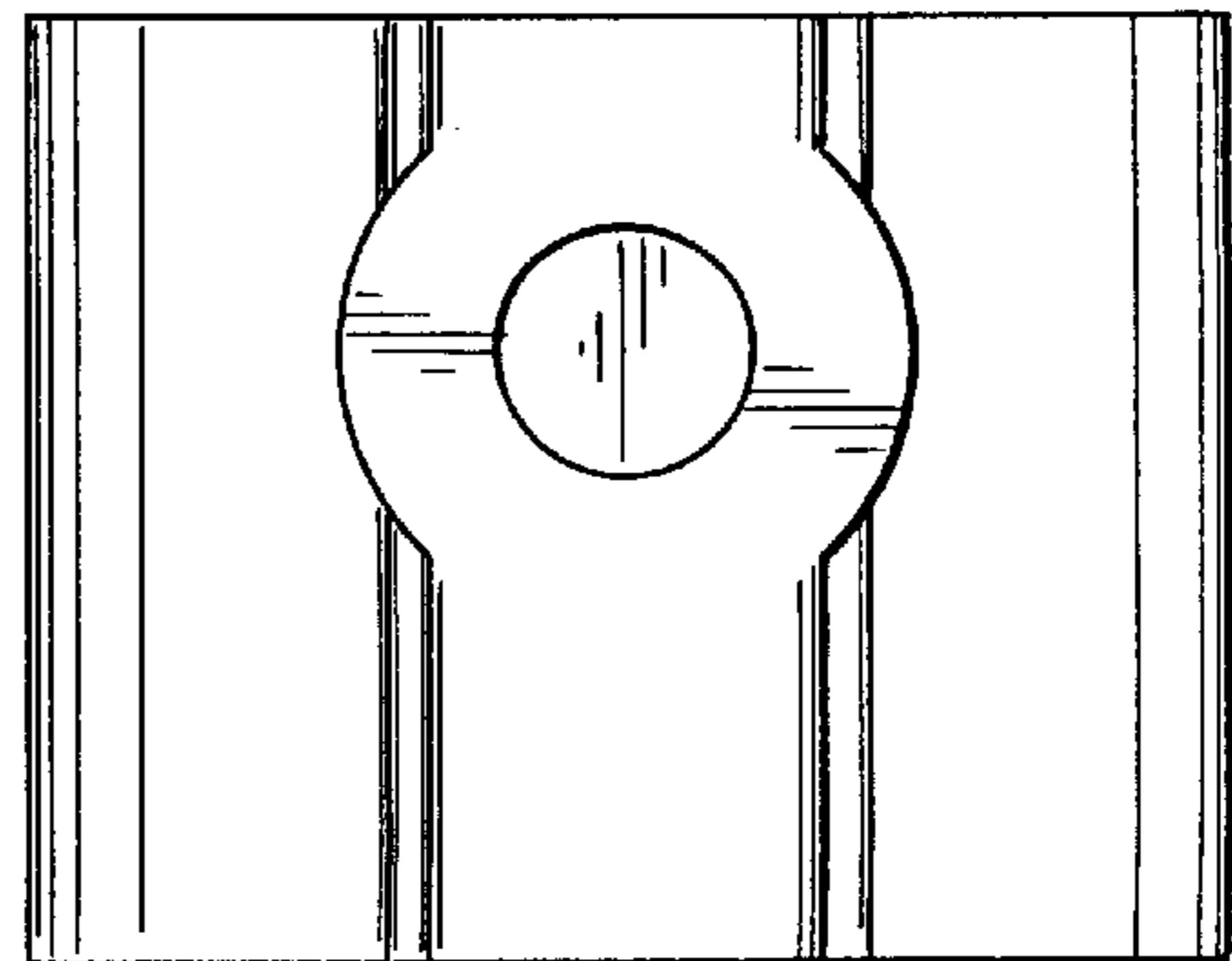


FIG. 7



UNITED STATES PATENT AND TRADEMARK OFFICE
CERTIFICATE OF CORRECTION

PATENT NO. : Des. 398,375

DATED : September 15, 1998

INVENTOR(S) : Jeffrey T. Lynch; Chris M. Yohner

It is certified that error appears in the above-identified patent and that said Letters Patent is hereby corrected as shown below:

In the Claim, line 2, delete "designed" and insert therefor --described--.

Signed and Sealed this
First Day of December, 1998

Attest:



BRUCE LEHMAN

Attesting Officer

Commissioner of Patents and Trademarks