



US00D398374S

United States Patent [19] Lord

[11] **Patent Number: Des. 398,374**

[45] **Date of Patent: **Sep. 15, 1998**

[54] **KITCHEN FAUCET**

D. 387,131 12/1997 Short et al. D23/238
3,035,612 5/1962 Lyon .

[75] Inventor: **Judd A. Lord**, Carmel, Ind.

OTHER PUBLICATIONS

[73] Assignee: **Masco Corporation of Indiana**, Indianapolis, Ind.

Sweet's Catalog File (1977).
Kohler, pp. 3-36 (Admitted Prior Art).
Delta Full Line Catalog, The Way Water is Brought to Life, 1991 (Admitted Prior Art).
Delta Full Line Price List, 1992 (Admitted Prior Art).
Euroexclusive: Euromodular (Admitted Prior Art).
Delta HDF Commercial Products Catalog (Admitted Prior Art).
Best (Admitted Prior Art).
Moen, Enduring Elegance (Admitted Prior Art).
Delta Faucet Full Line Catalog, Living with Classics (Admitted Prior Art).

[**] Term: **14 Years**

[21] Appl. No.: **72,108**

[22] Filed: **Jun. 10, 1997**

[51] **LOC (6) Cl.** **23-01**

[52] **U.S. Cl.** **D23/238**

[58] **Field of Search** D23/238-243,
D23/250-257; 4/675-678; 137/801

[56] **References Cited**

U.S. PATENT DOCUMENTS

- D. 140,557 3/1945 Stanitz .
- D. 193,885 10/1962 Andrews .
- D. 197,000 11/1963 Landell .
- D. 203,246 12/1965 Harvey et al. .
- D. 219,779 1/1971 Tiller .
- D. 235,546 6/1975 Landell .
- D. 297,357 8/1988 Spangler .
- D. 297,358 8/1988 Hill .
- D. 360,679 7/1995 Doughty et al. .
- D. 363,534 10/1995 Hill et al. .
- D. 363,535 10/1995 Hill et al. .
- D. 364,211 11/1995 Hill et al. .
- D. 364,212 11/1995 Hill et al. .
- D. 365,142 12/1995 Hill et al. .
- D. 367,697 3/1996 Haug et al. .
- D. 367,698 3/1996 Haug et al. .
- D. 367,917 3/1996 Haug et al. .
- D. 367,918 3/1996 Haug et al. .
- D. 368,764 4/1996 Hill et al. D23/238
- D. 368,956 4/1996 Haug et al. .
- D. 374,706 10/1996 Doughty et al. .
- D. 375,145 10/1996 Doughty et al. .
- D. 376,414 12/1996 Doughty et al. .

Primary Examiner—Louis S. Zarfes
Assistant Examiner—Eric Watterson
Attorney, Agent, or Firm—Myron B. Kapustij; Malcolm L. Sutherland

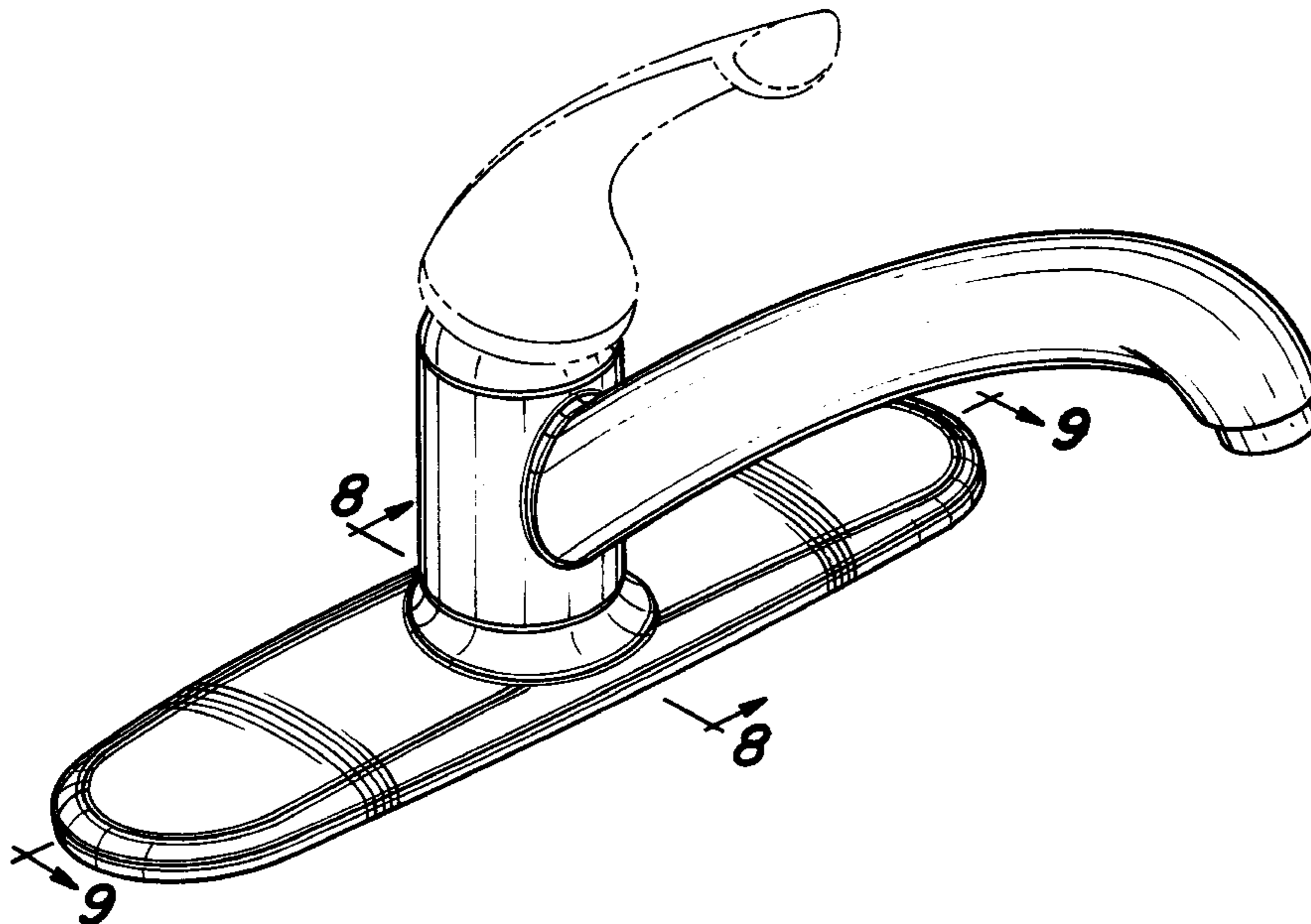
[57] **CLAIM**

The ornamental design for a kitchen faucet, as shown and described.

DESCRIPTION

FIG. 1 is a front perspective view of a kitchen faucet showing my new design;
FIG. 2 is a rear perspective view thereof;
FIG. 3 is a top plan view thereof;
FIG. 4 is a front elevational view thereof;
FIG. 5 is a right side elevational view thereof, the left side being a mirror image;
FIG. 6 is a rear elevational view thereof; and,
FIG. 7 is a bottom plan view thereof.
The broken line showing of the handle in FIGS. 1-7 is for the purpose of illustration only and forms no part of the claimed design.

1 Claim, 4 Drawing Sheets



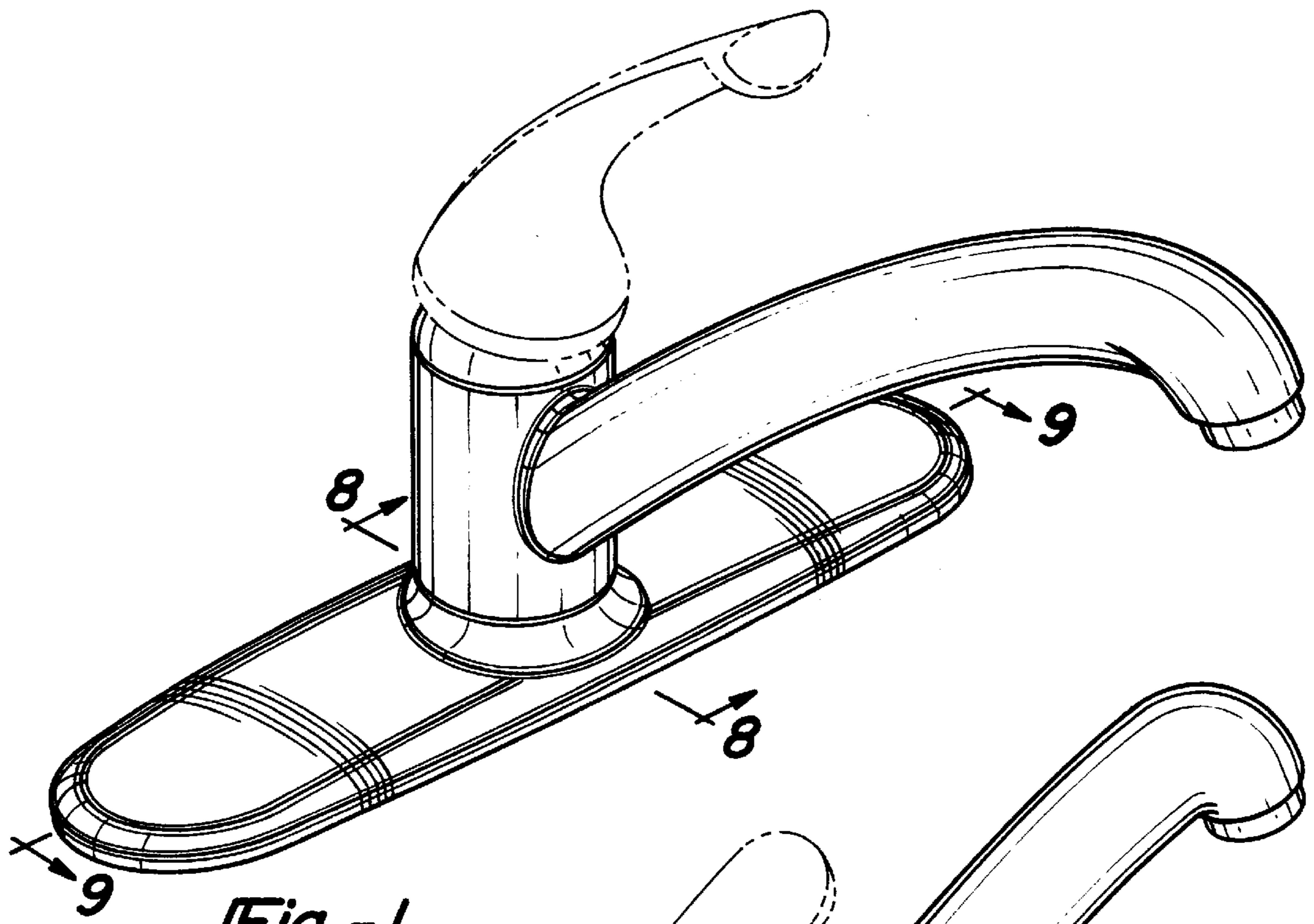


Fig - 1

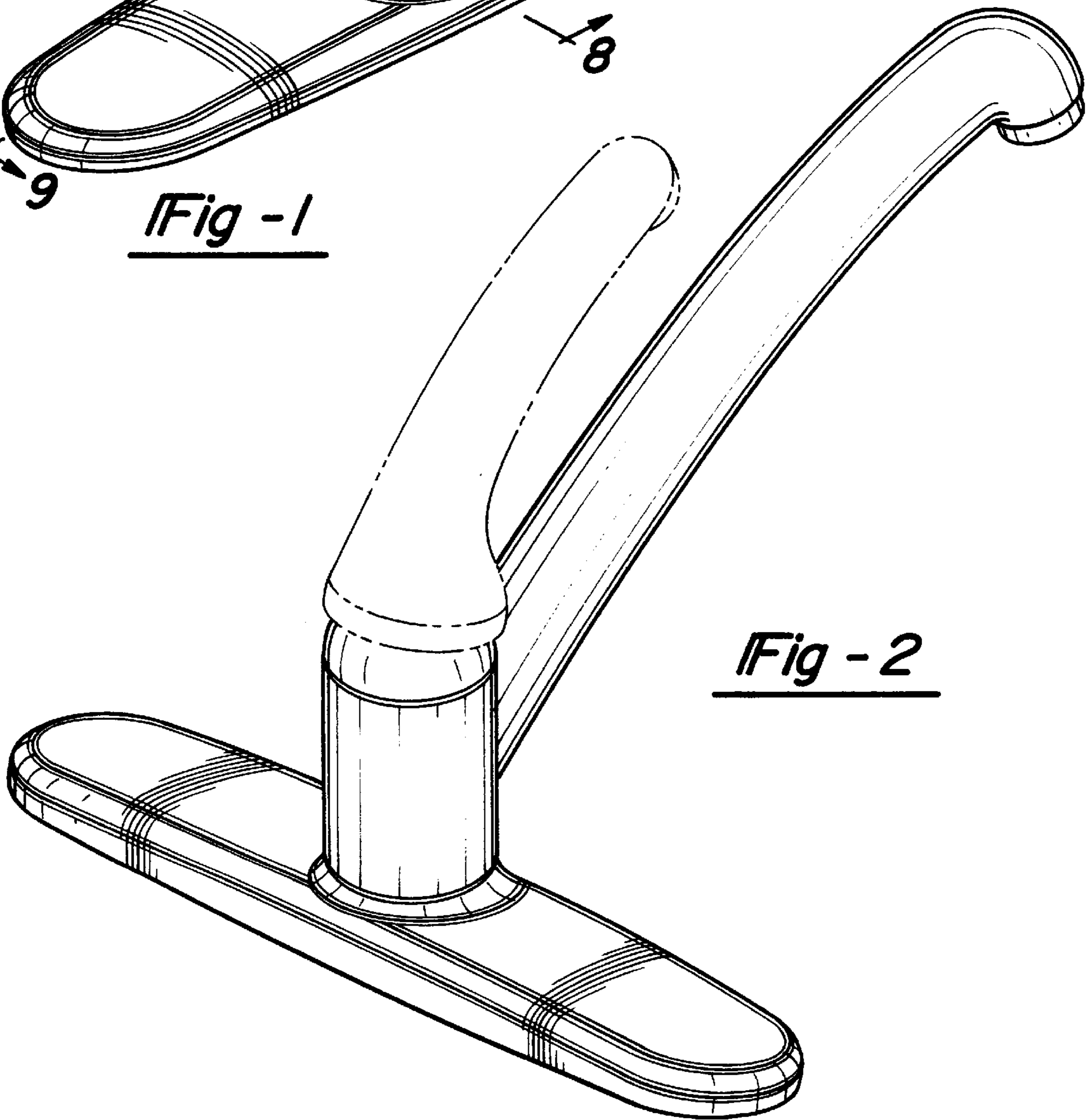


Fig - 2

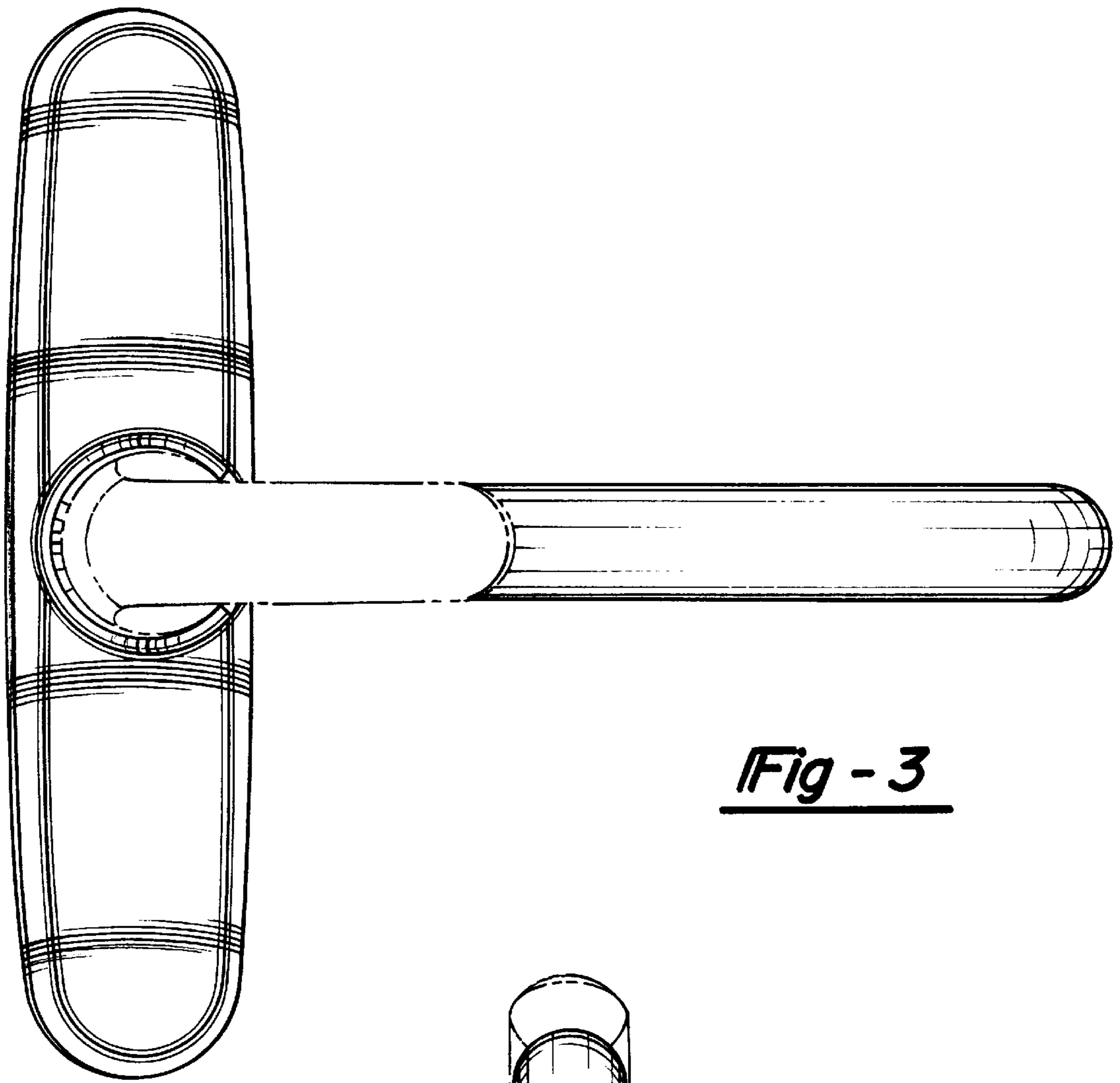


Fig - 3

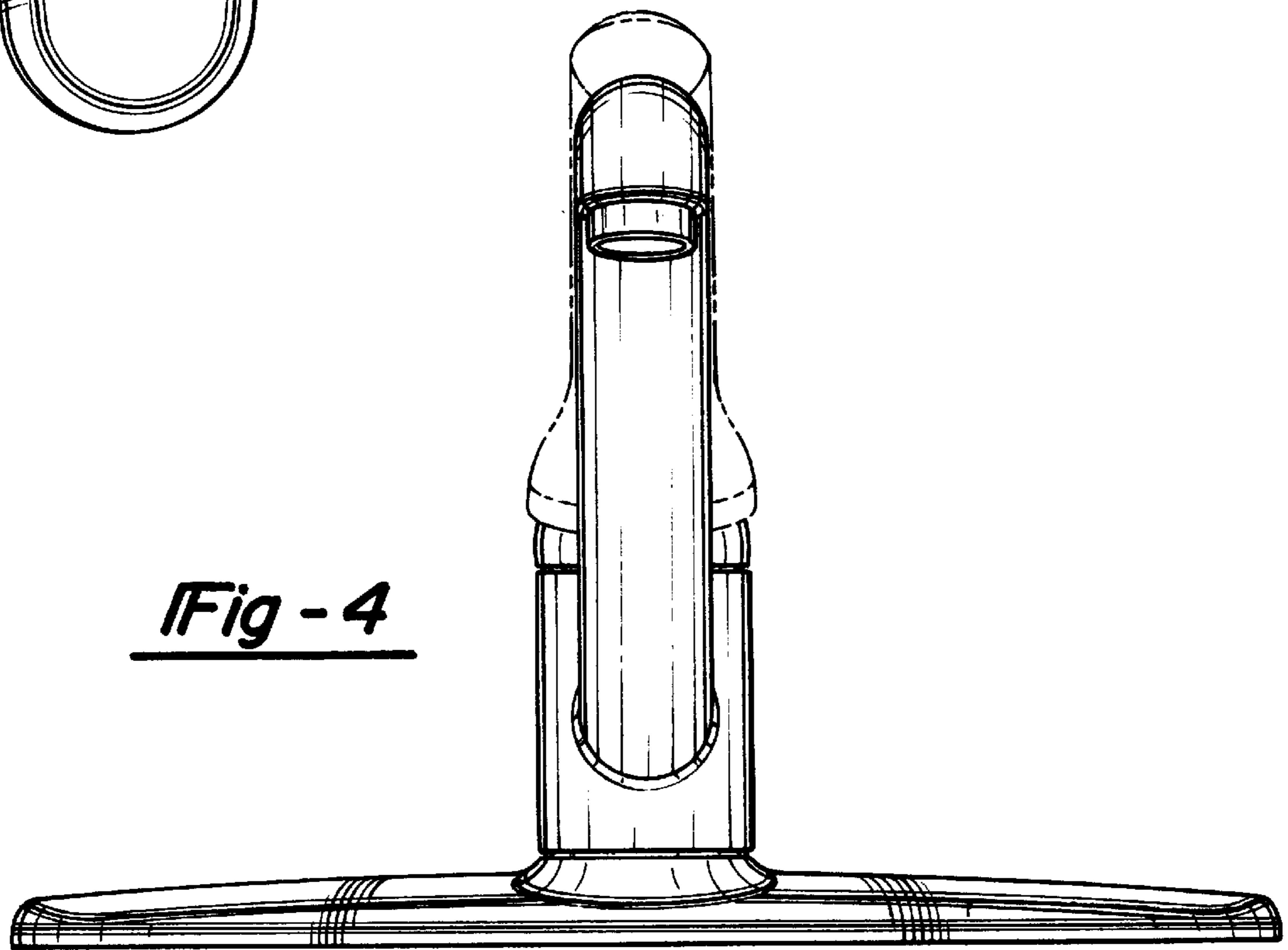


Fig - 4

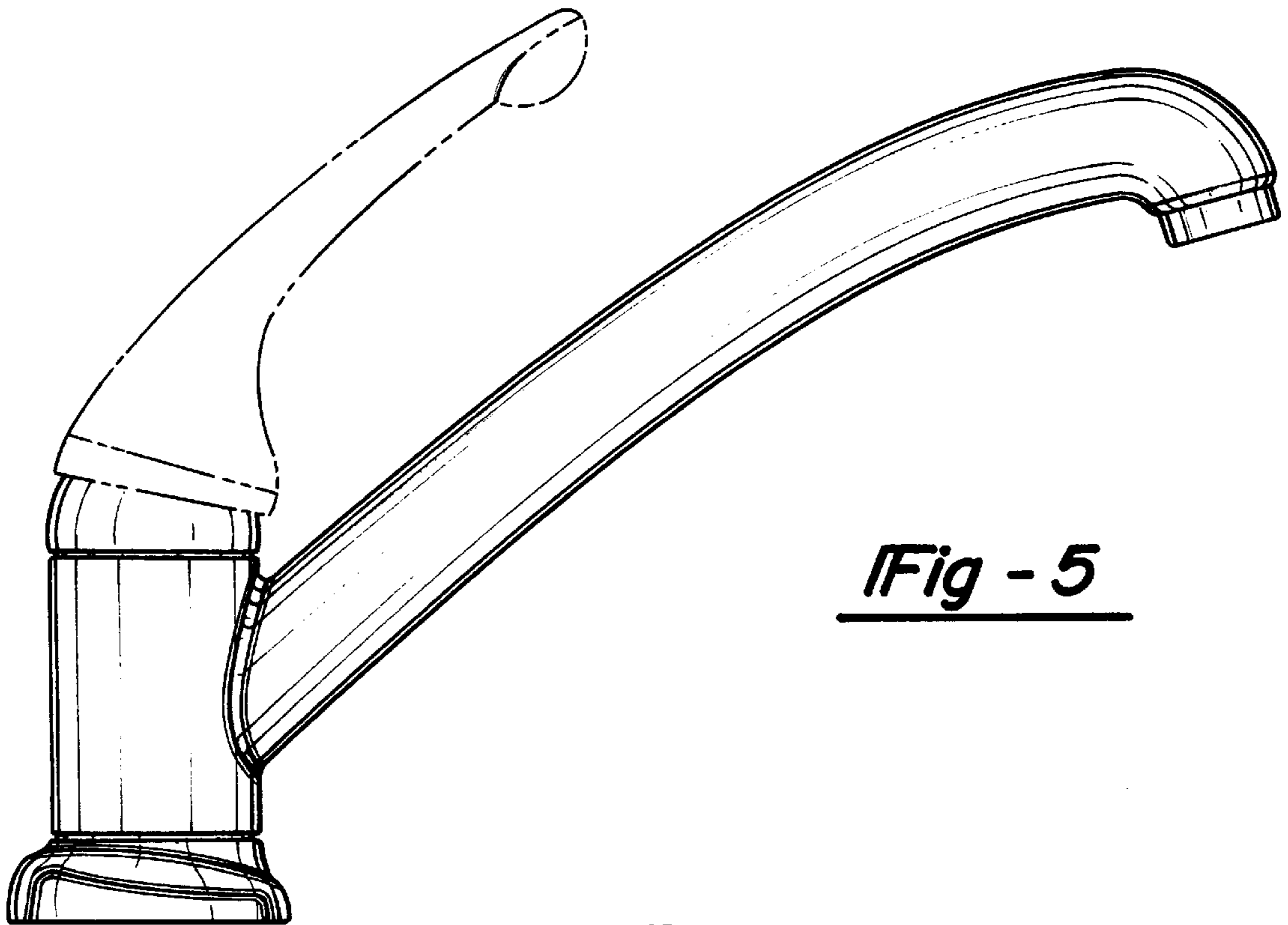


Fig - 5

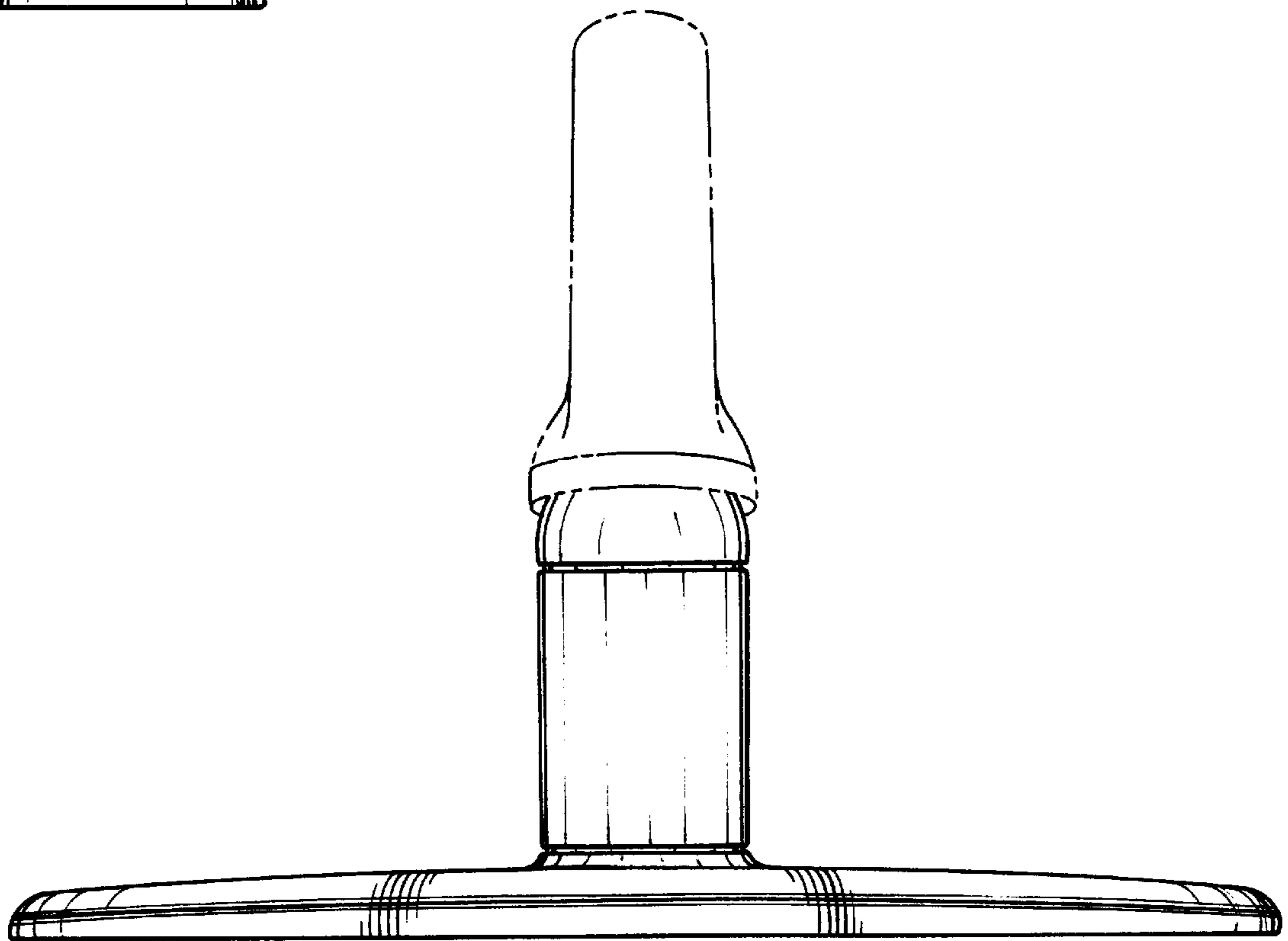


Fig - 6

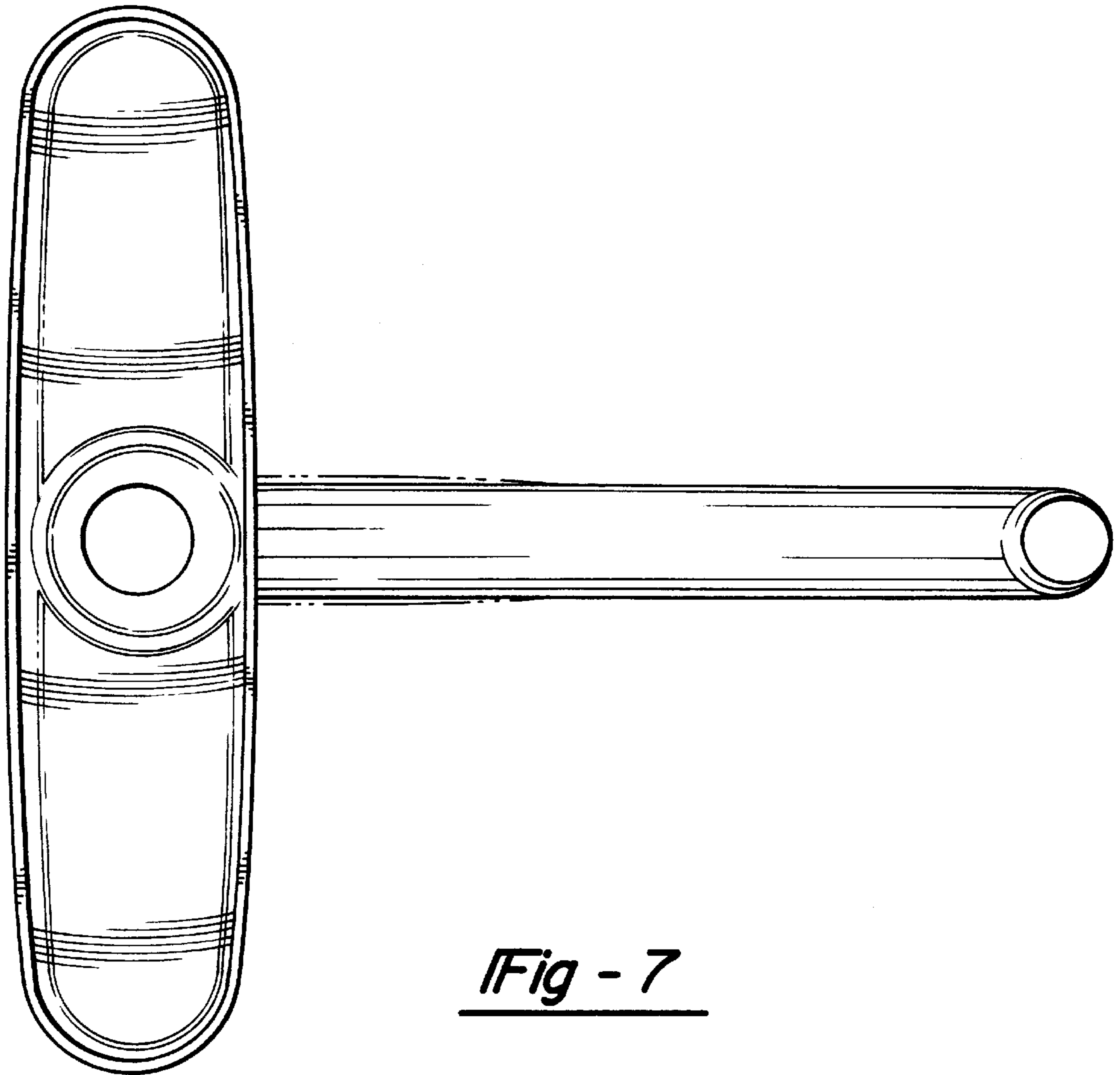


Fig - 7