



US00D398372S

United States Patent [19]

Barnes

[11] **Patent Number: Des. 398,372**

[45] **Date of Patent: **Sep. 15, 1998**

[54] **VALVE HOUSING**

[75] **Inventor: Steven R. Barnes, Phoenix, Ariz.**

[73] **Assignee: Caretaker Systems, Inc., Scottsdale, Ariz.**

[**] **Term: 14 Years**

[21] **Appl. No.: 63,000**

[22] **Filed: Nov. 19, 1996**

[51] **LOC (6) Cl. 23-03**

[52] **U.S. Cl. D23/233**

[58] **Field of Search D23/233-237, D23/244-249; 137/238, 487, 503, 556, 883, 884**

[56] **References Cited**

U.S. PATENT DOCUMENTS

D. 249,279 9/1978 Backlund D23/233

D. 300,171	3/1989	Been	D23/233
D. 348,721	7/1994	Nagel	D23/233
D. 362,294	9/1995	Skaer et al.	D23/233
D. 363,761	10/1995	Eggleston et al.	D23/233
D. 379,492	5/1997	Walker et al.	D23/233

Primary Examiner—Marcus A. Jackson
Attorney, Agent, or Firm—LaValle D. Ptak

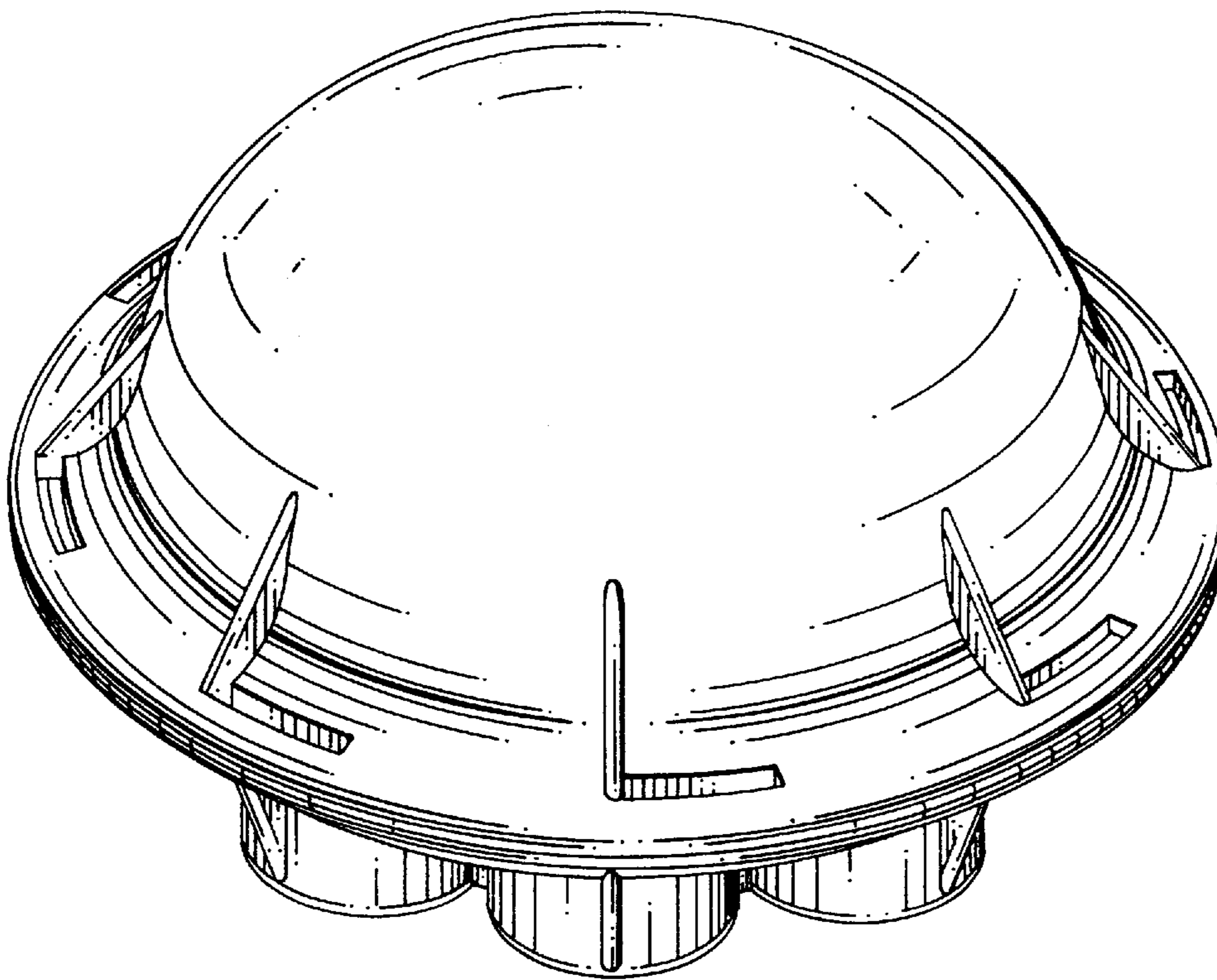
[57] **CLAIM**

The ornamental design for a valve housing, as shown and described.

DESCRIPTION

FIG. 1 is a top perspective view showing my new design; FIG. 2 is a top plan view thereof; FIG. 3 is a bottom plan view thereof; and, FIG. 4 is a side elevation view thereof, all other side elevations at 90° rotations being the same.

1 Claim, 2 Drawing Sheets



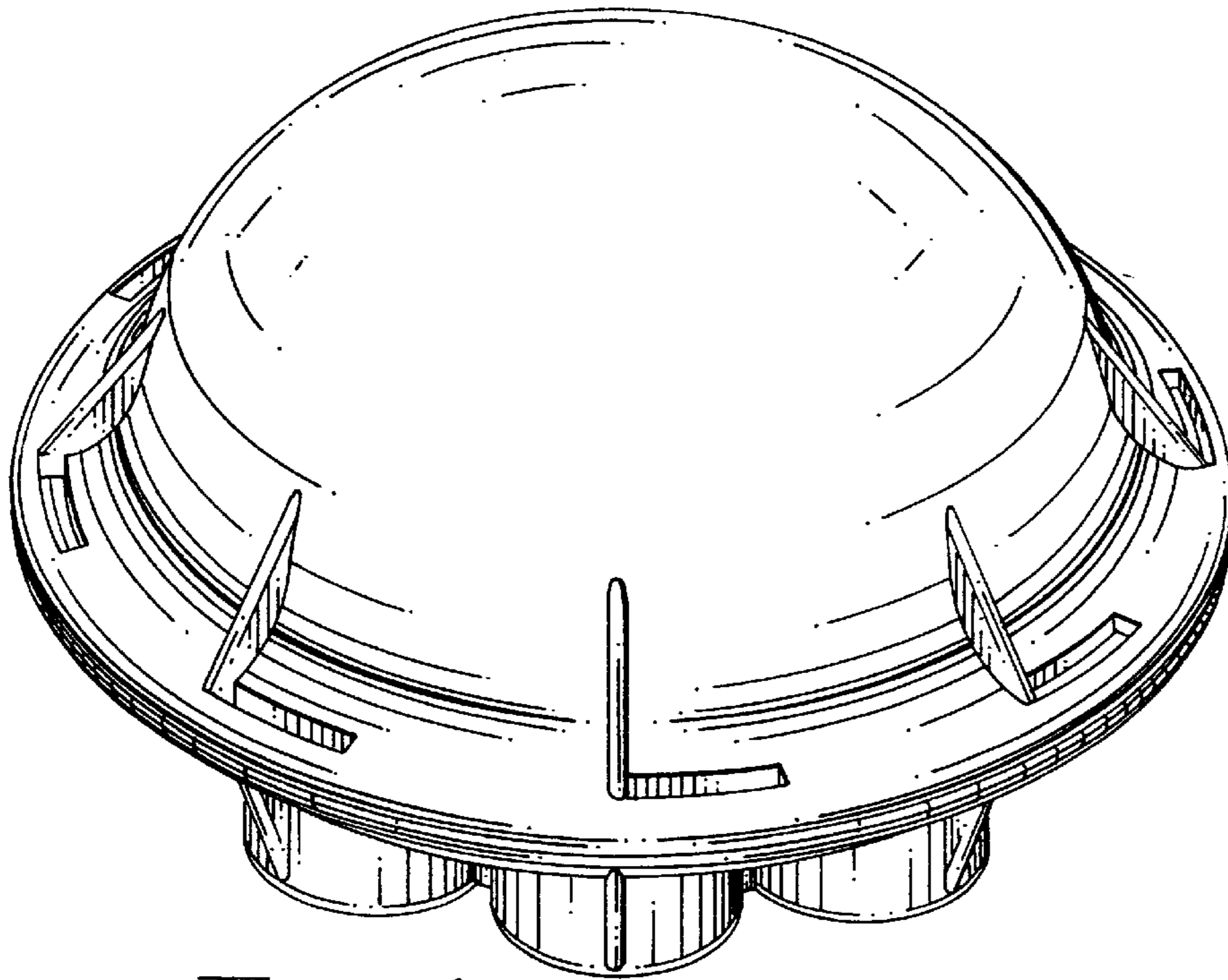


FIG. 1

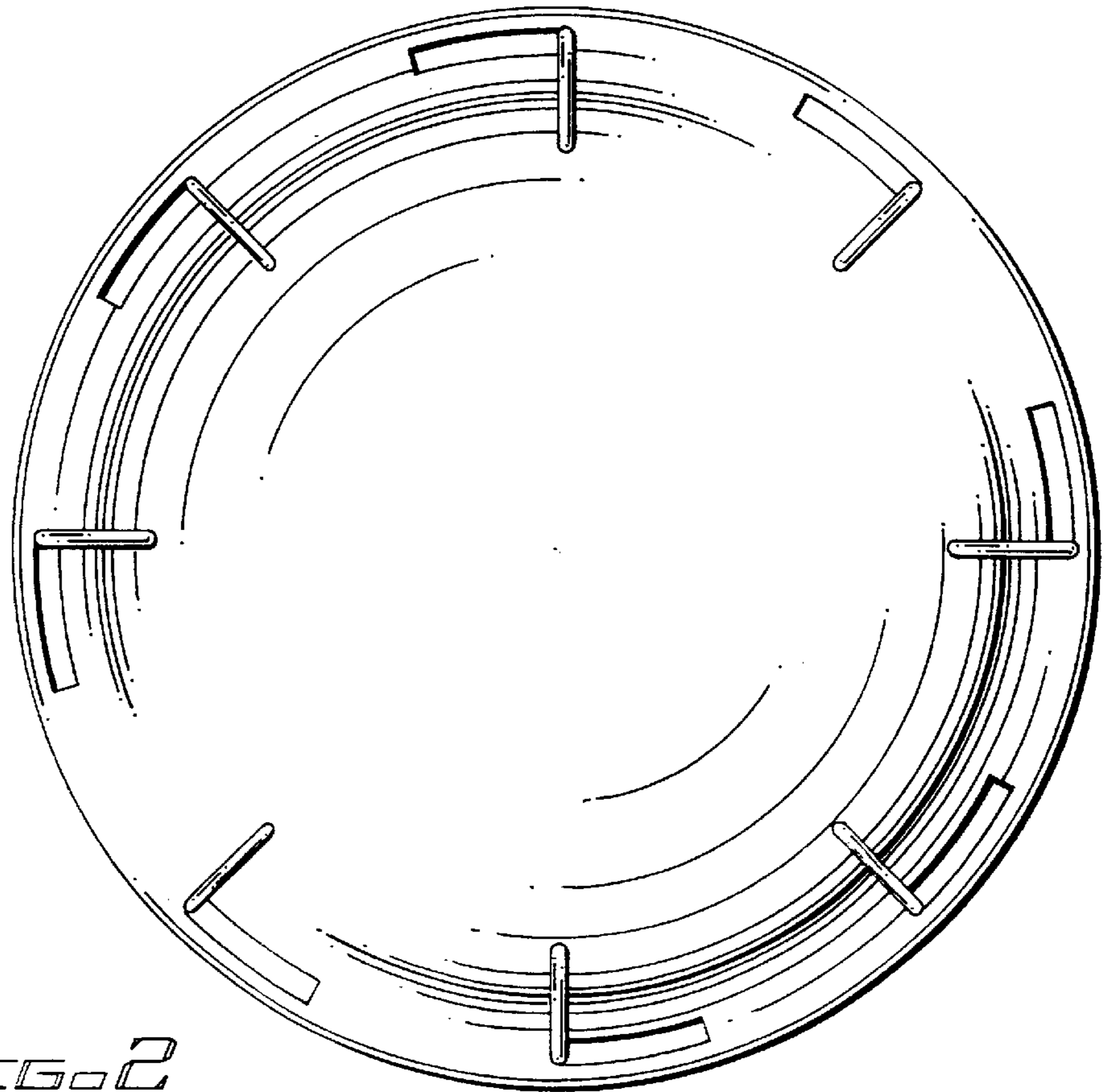


FIG. 2

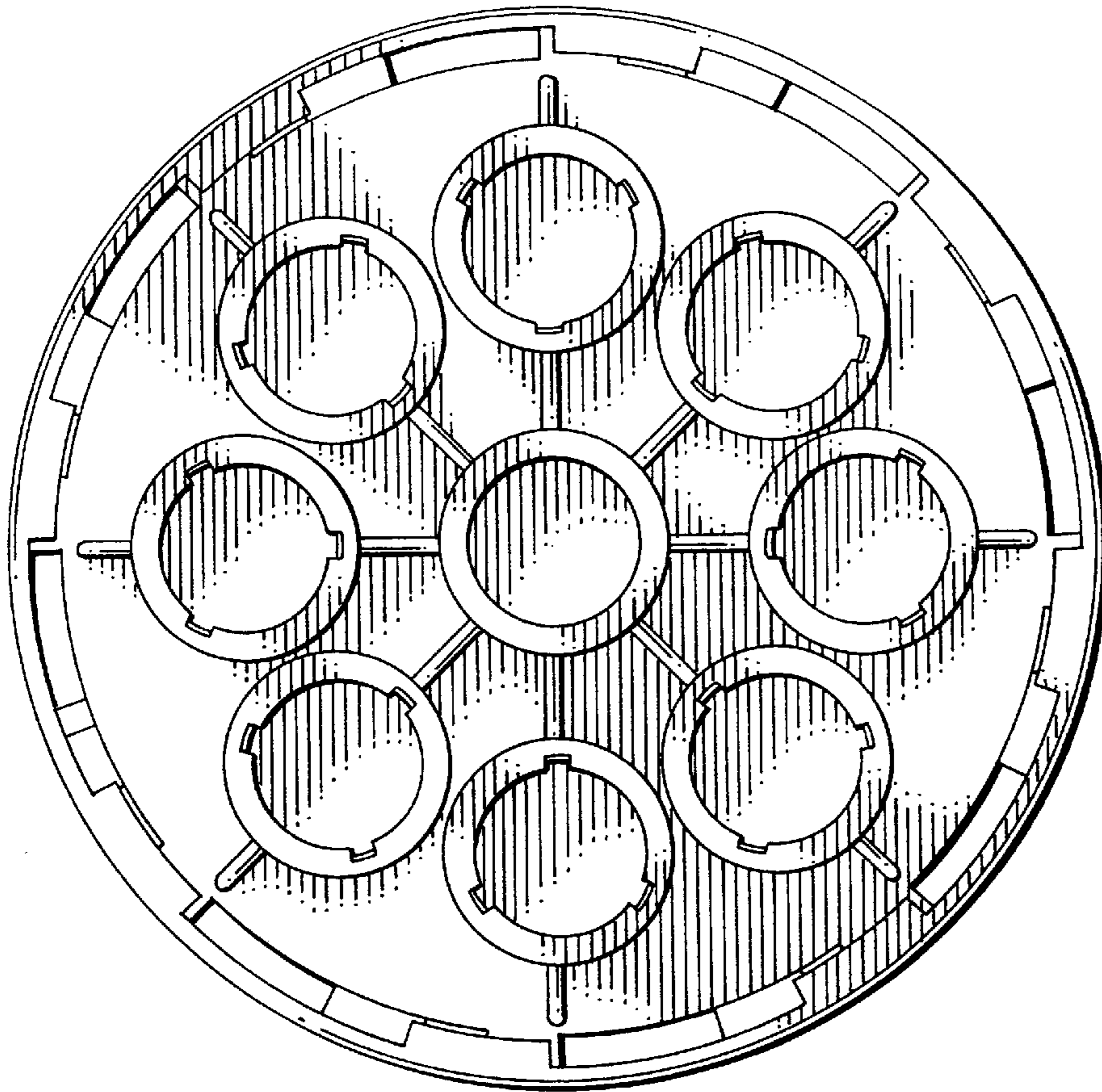


FIG. 3

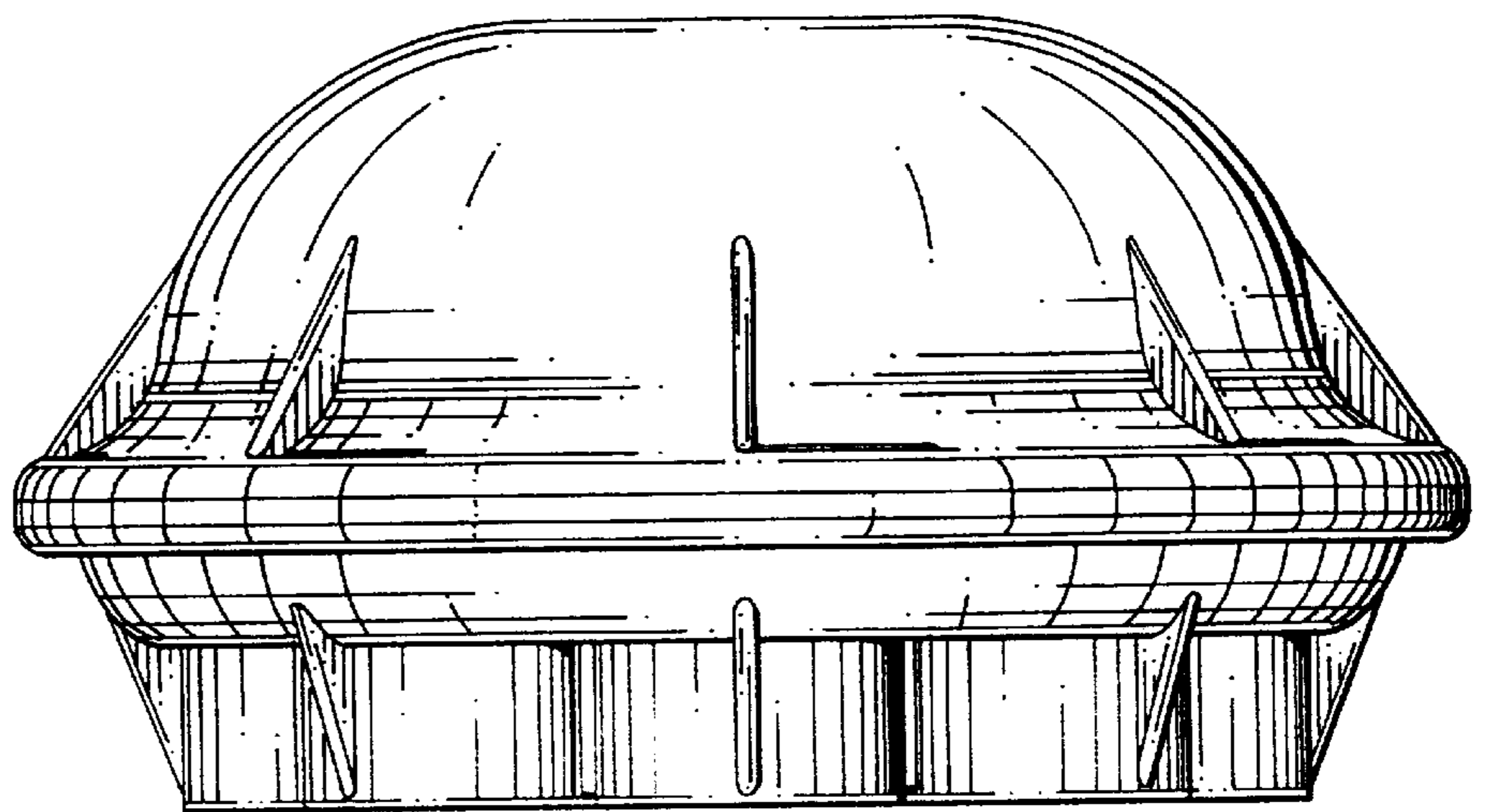


FIG. 4