



US00D398371S

United States Patent [19] Sundahl

[11] **Patent Number: Des. 398,371**

[45] **Date of Patent: **Sep. 15, 1998**

[54] **GARDEN HOSE NOZZLE**

[76] Inventor: **Gary A. Sundahl**, 46441 Little Creek Ct., King City, Calif. 93930

[**] Term: **14 Years**

[21] Appl. No.: **78,590**

[22] Filed: **Oct. 28, 1997**

[51] **LOC (6) Cl. 23-01**

[52] **U.S. Cl. D23/226**

[58] **Field of Search D23/213, 223-226; 239/394, 459, 460, 461**

D. 387,128	12/1997	Wang	D23/223
2,937,813	5/1960	Rinkewich	239/459
3,497,141	2/1970	Rydberg	239/512
4,508,272	4/1985	Thompson	239/318

Primary Examiner—Alan P. Douglas
Assistant Examiner—Robin V. Taylor
Attorney, Agent, or Firm—David L. Volk

[57] CLAIM

The ornamental design for a garden hose nozzle, as shown and described.

DESCRIPTION

FIG. 1 is a perspective view of a garden hose nozzle showing my new design;

FIG. 2 is a right side elevational view thereof, the opposite side being a mirrorimage;

FIG. 3 is a front elevational view thereof;

FIG. 4 is a rear elevational view thereof;

FIG. 5 is a top plan view thereof; and,

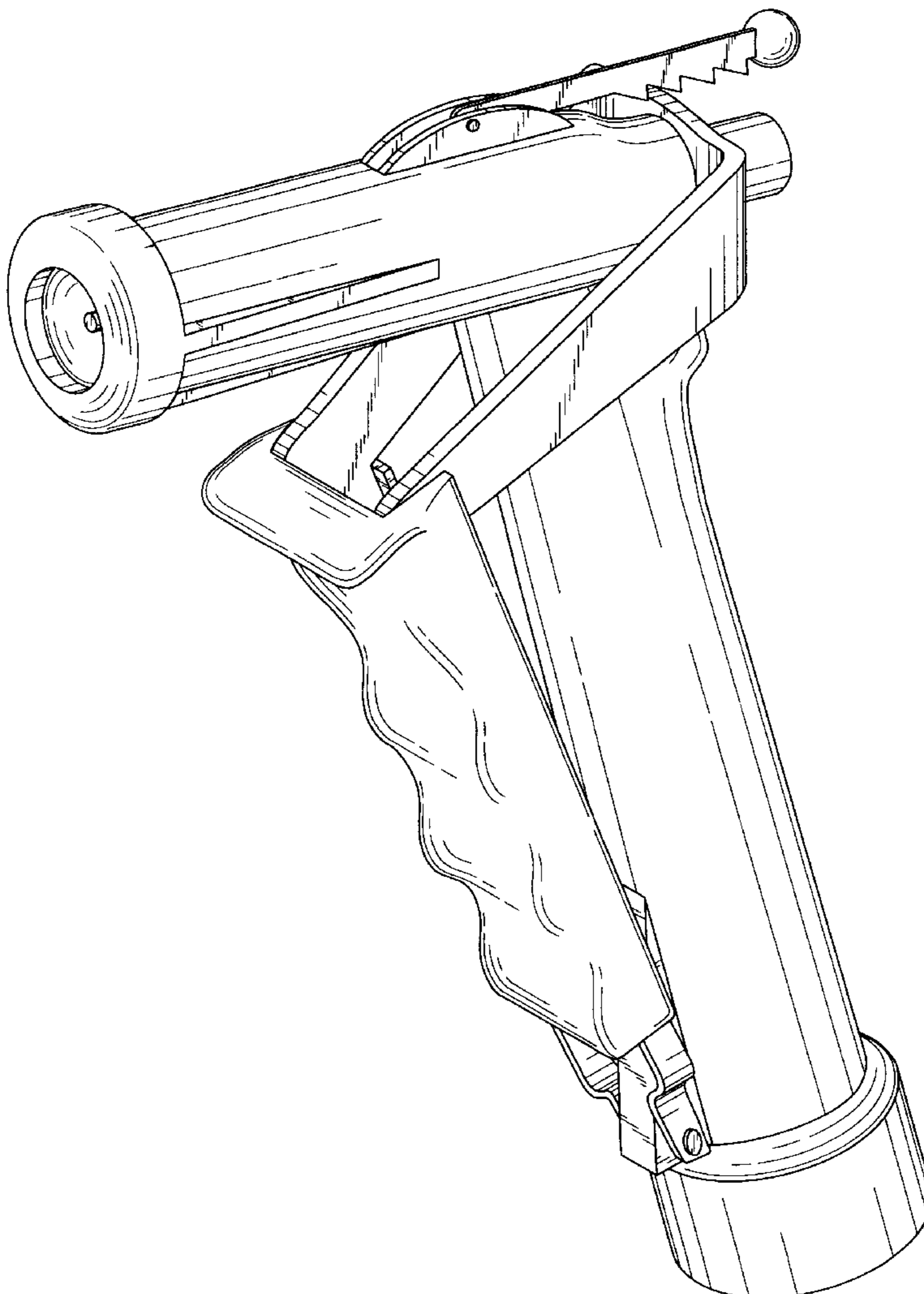
FIG. 6 is a bottom plan view thereof.

1 Claim, 4 Drawing Sheets

[56] References Cited

U.S. PATENT DOCUMENTS

D. 297,351	8/1988	Kitts	D23/226
D. 299,158	12/1988	Bender	D23/226
D. 326,138	5/1992	Clivio	D23/226
D. 327,943	7/1992	Tsai	D23/213
D. 347,464	5/1994	Kingston et al.	D23/223
D. 354,333	1/1995	Clivio	D23/223
D. 385,012	10/1997	Guo	D23/226



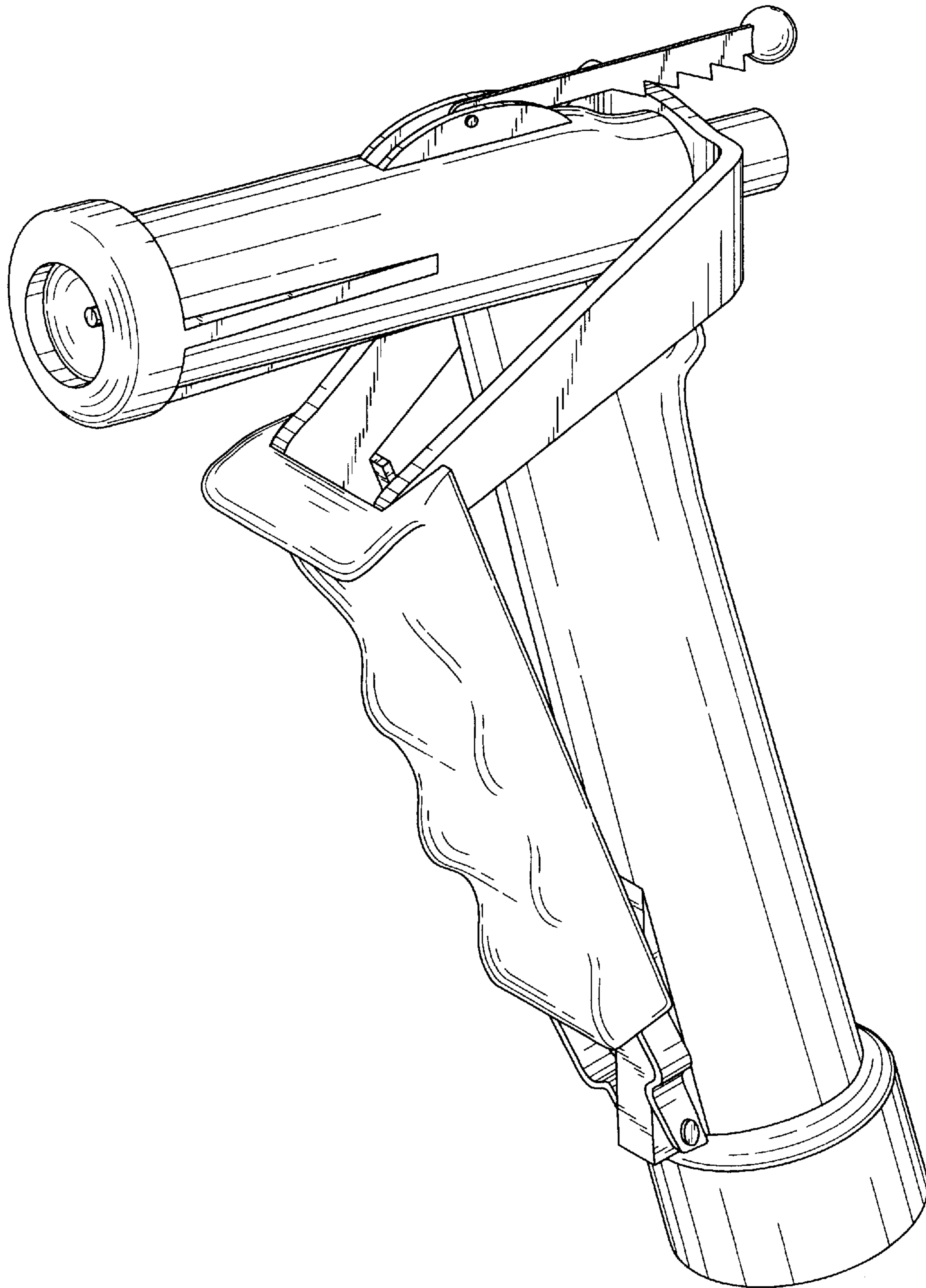


Fig. 1

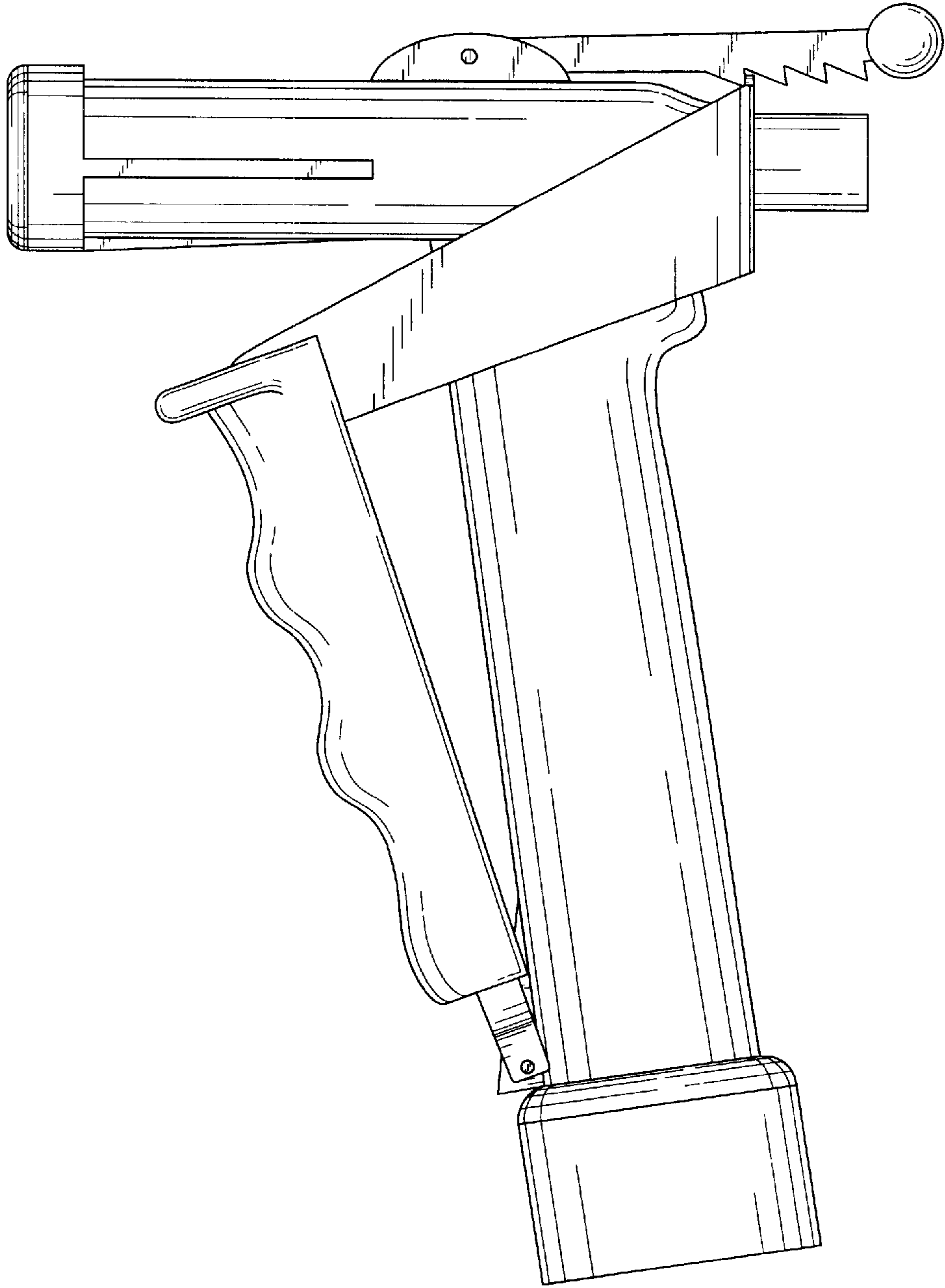


Fig. 2

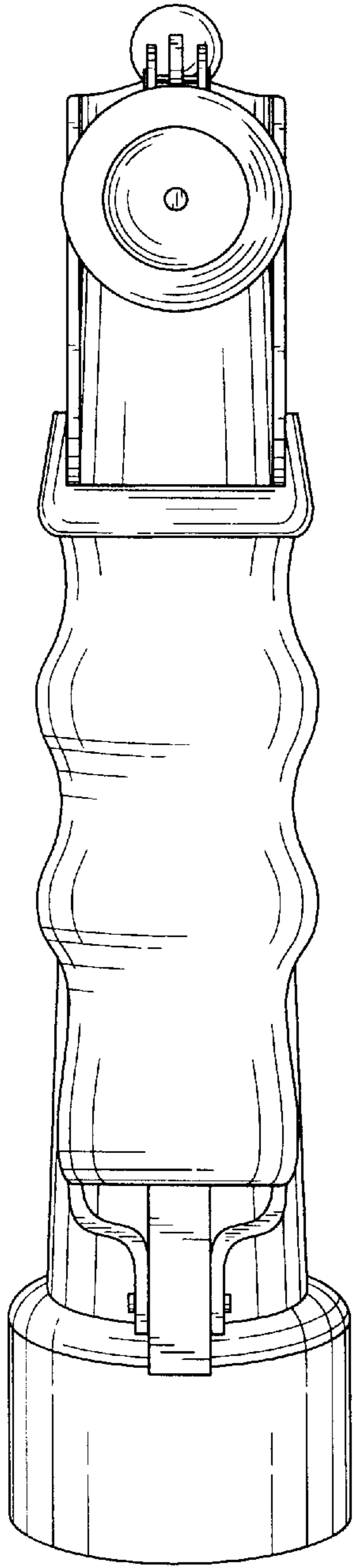


Fig. 3

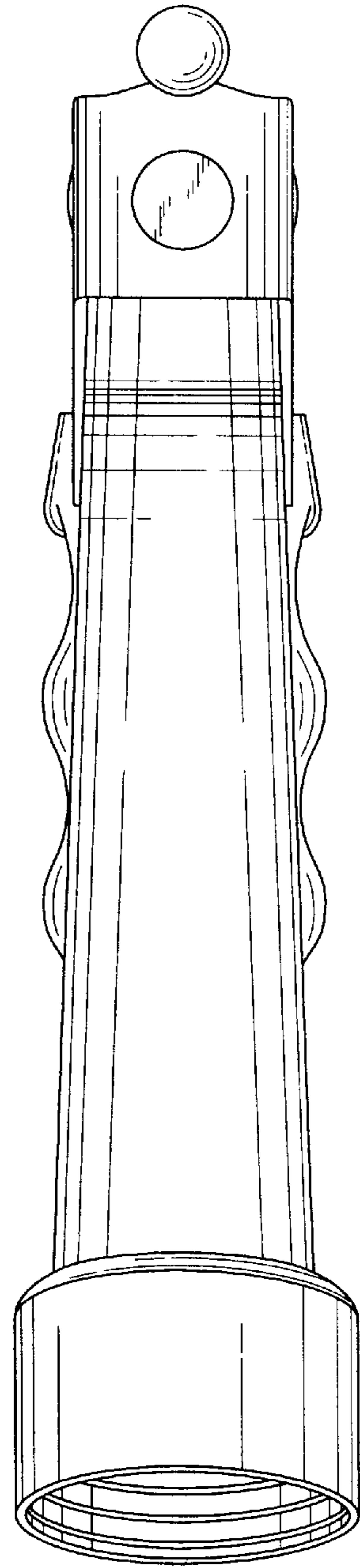


Fig. 4

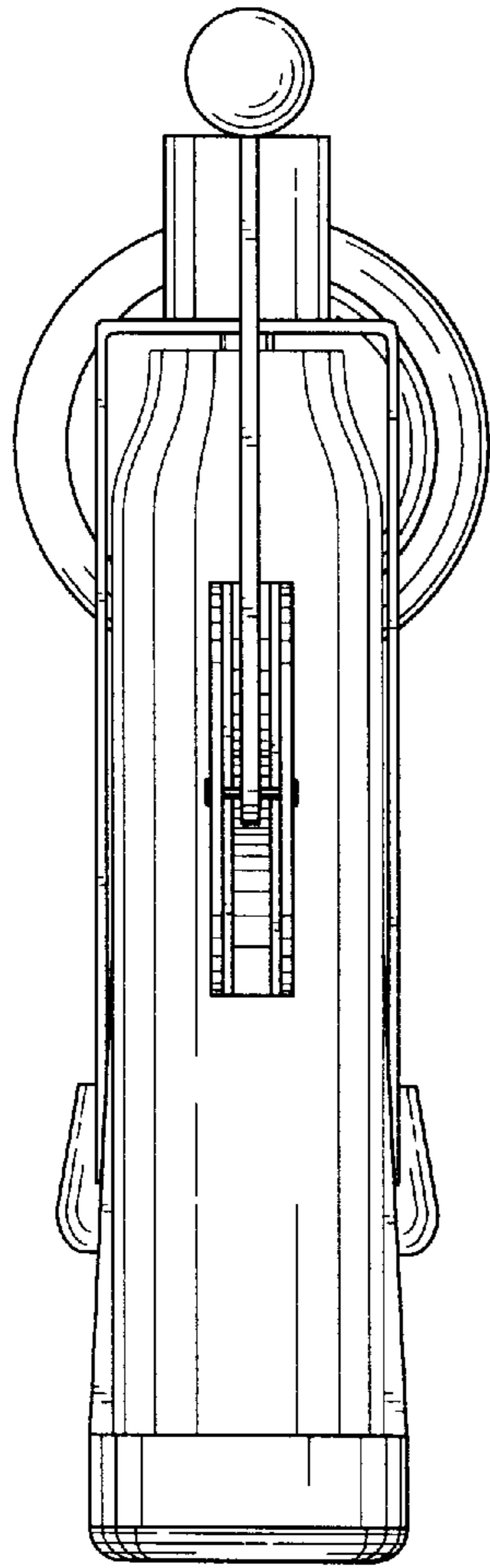


Fig. 5

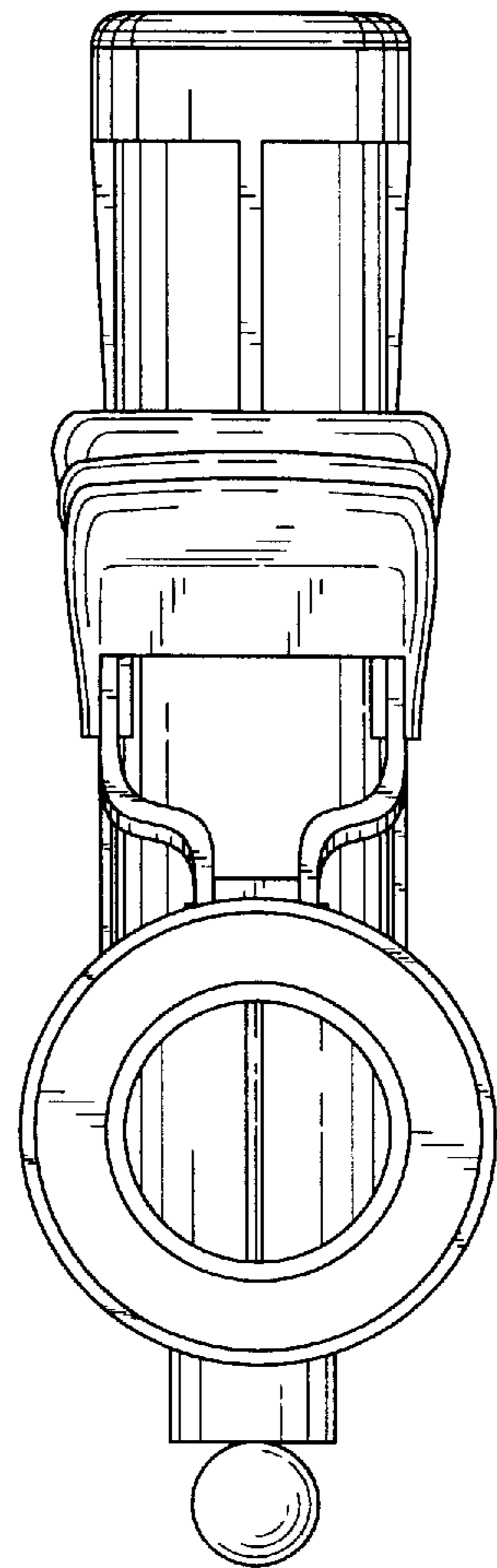


Fig. 6