



US00D398370S

United States Patent [19] Purdy

[11] **Patent Number: Des. 398,370**

[45] **Date of Patent: **Sep. 15, 1998**

[54] **ROTATABLE SHOWER HEAD**

[76] Inventor: **Brian Purdy**, 16823 E. Tremaine Dr.,
Gilbert, Ariz. 85234

[**] Term: **14 Years**

[21] Appl. No.: **74,304**

[22] Filed: **Jul. 31, 1997**

[51] **LOC (6) Cl. 23-01**

[52] **U.S. Cl. D23/213**

[58] **Field of Search D23/213, 223-230;**
239/587.1, 587.4, 587.5

[56] **References Cited**

U.S. PATENT DOCUMENTS

D. 259,054	4/1981	Petersons	D23/213
D. 294,286	2/1988	Fabian	D23/213
2,966,311	12/1960	Davis	239/587.1
5,230,472	7/1993	McCabe	239/587.5
5,499,767	3/1996	Morand	239/587.4

OTHER PUBLICATIONS

Joan Cook Housewares; Item D Shower Arm; p. 35, 1989.
Europa; Showerhead #DP-961, Aug. 1995.

Primary Examiner—Alan P. Douglas
Assistant Examiner—Robin V. Taylor
Attorney, Agent, or Firm—Snell & Wilmer, L.L.P.

[57] **CLAIM**

The ornamental design for the rotatable shower head, as shown and described.

DESCRIPTION

FIG. 1 is a perspective view of the rotatable shower head showing my new design;

FIG. 2 is a side elevational view of the rotatable shower head;

FIG. 3 is a top plan view thereof;

FIG. 4 is a bottom plan view thereof;

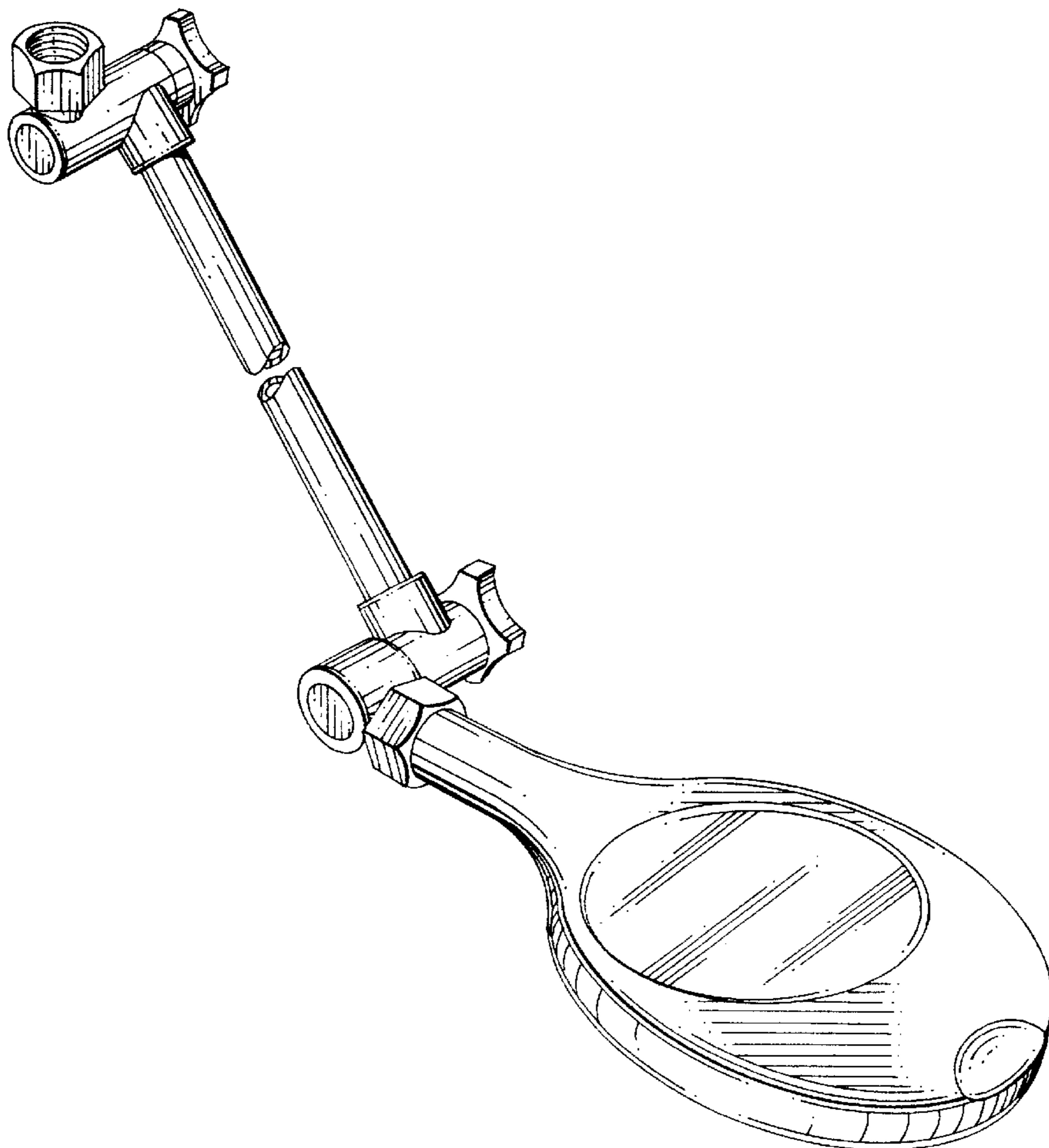
FIG. 5 is an opposite side elevational view thereof;

FIG. 6 is a front elevational view thereof; and,

FIG. 7 is a rear elevational view of the rotatable shower head.

The arm of the shower head is shown fragmented to indicate indeterminate length.

1 Claim, 2 Drawing Sheets



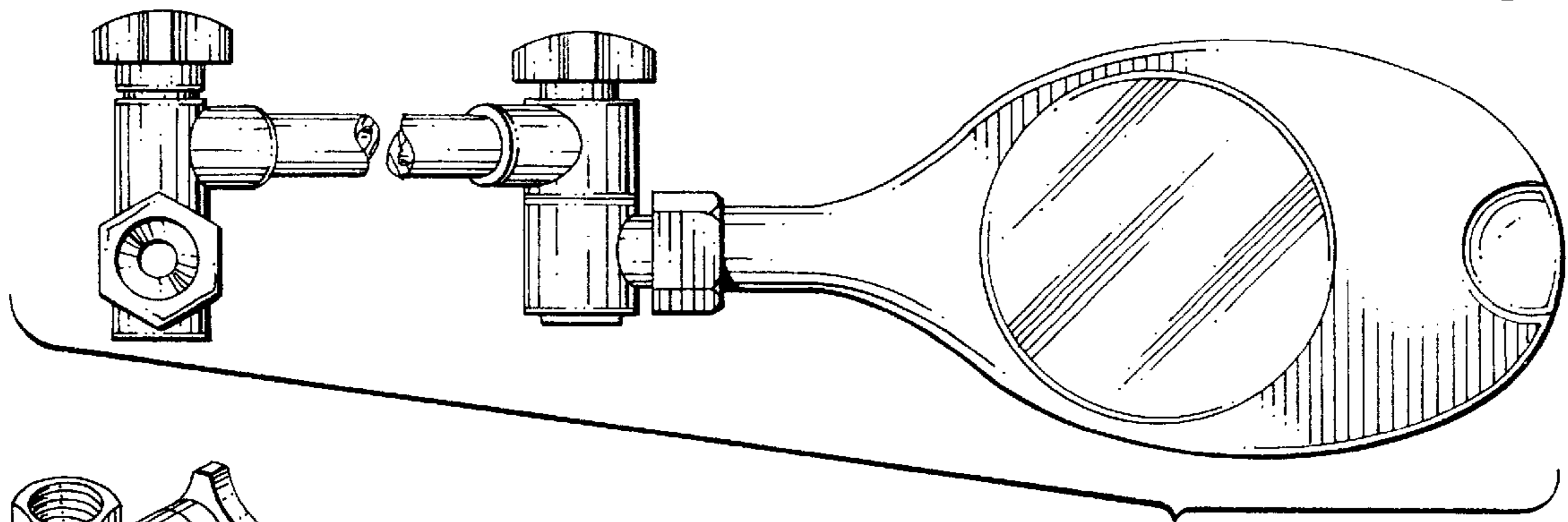


FIG. 3

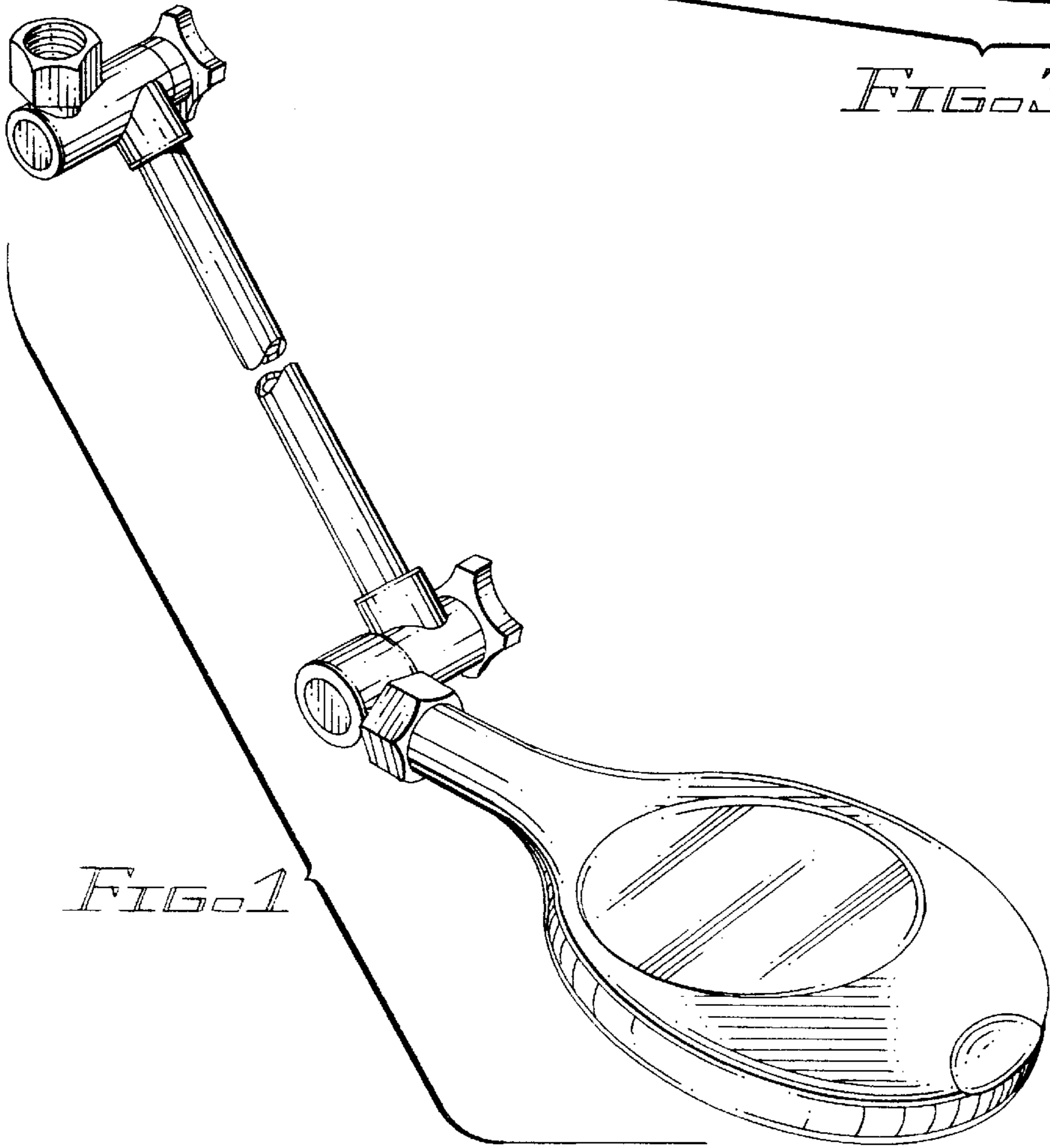


FIG. 1

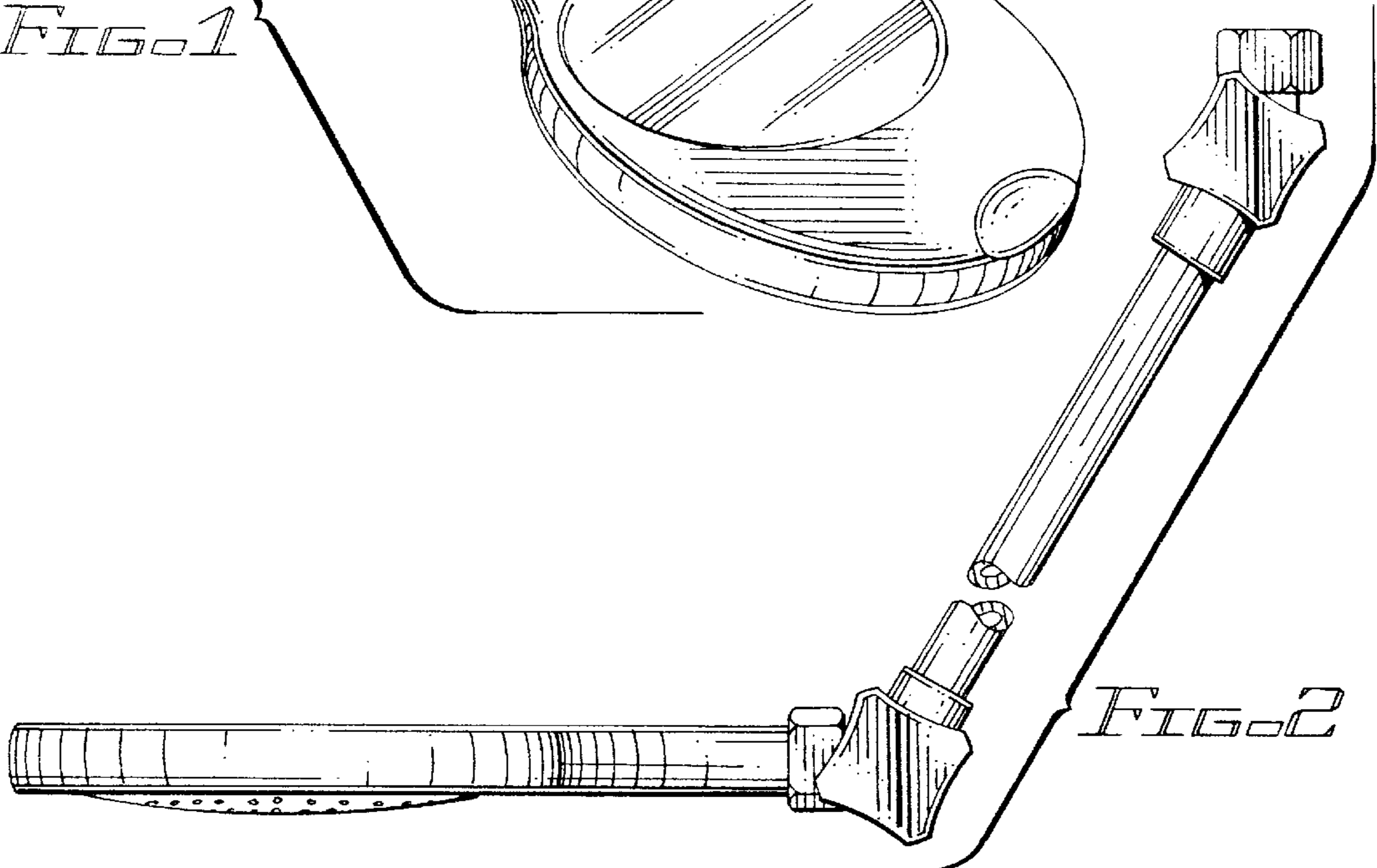


FIG. 2

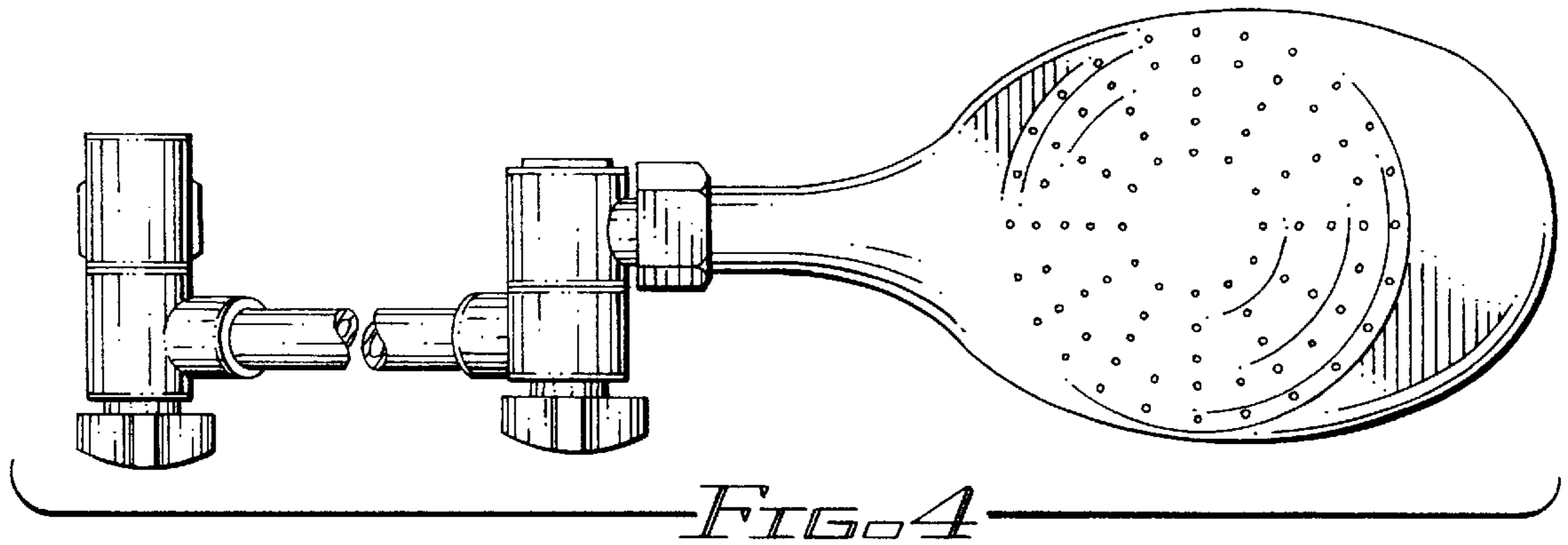


FIG. 4

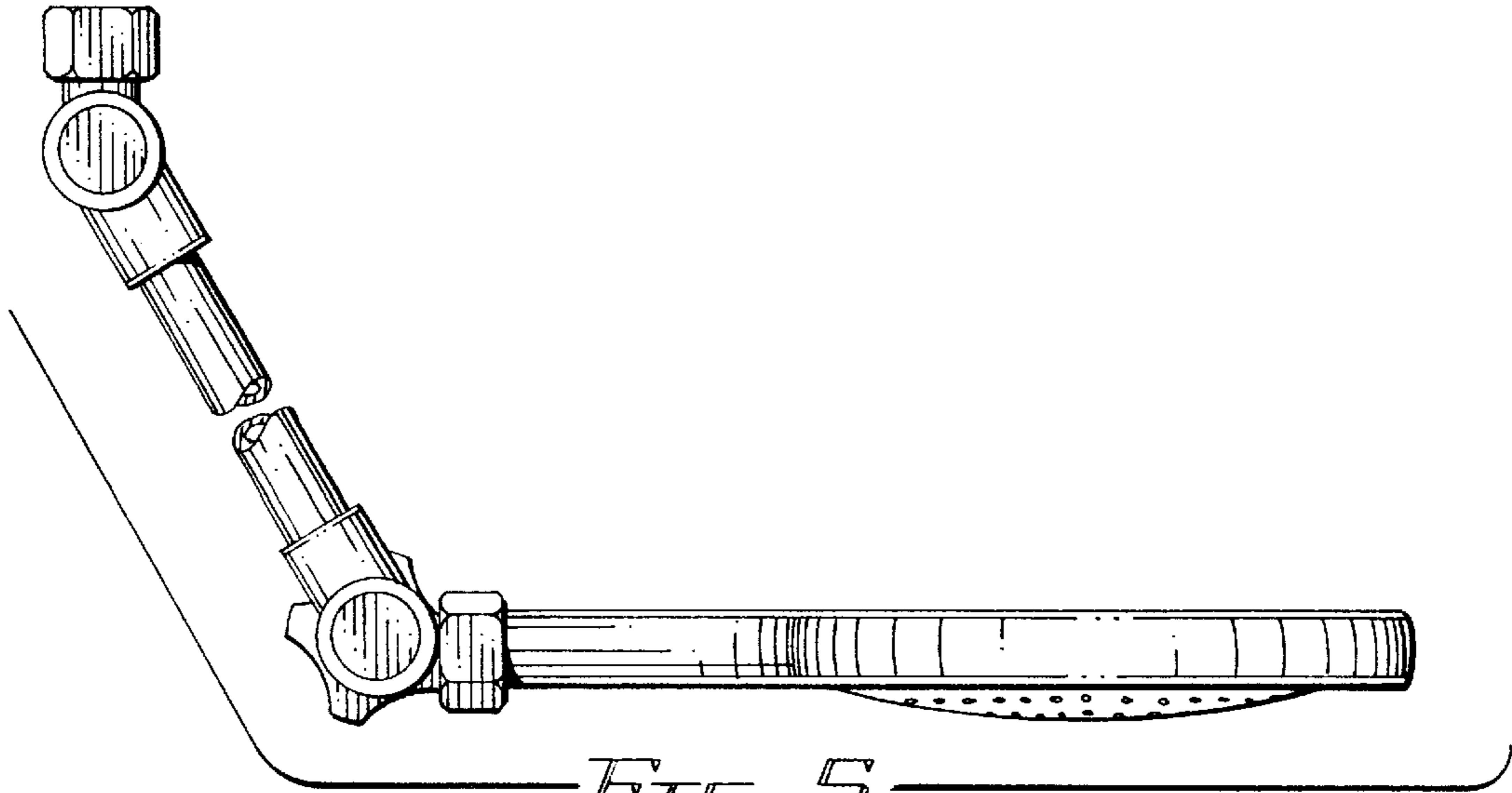


FIG. 5

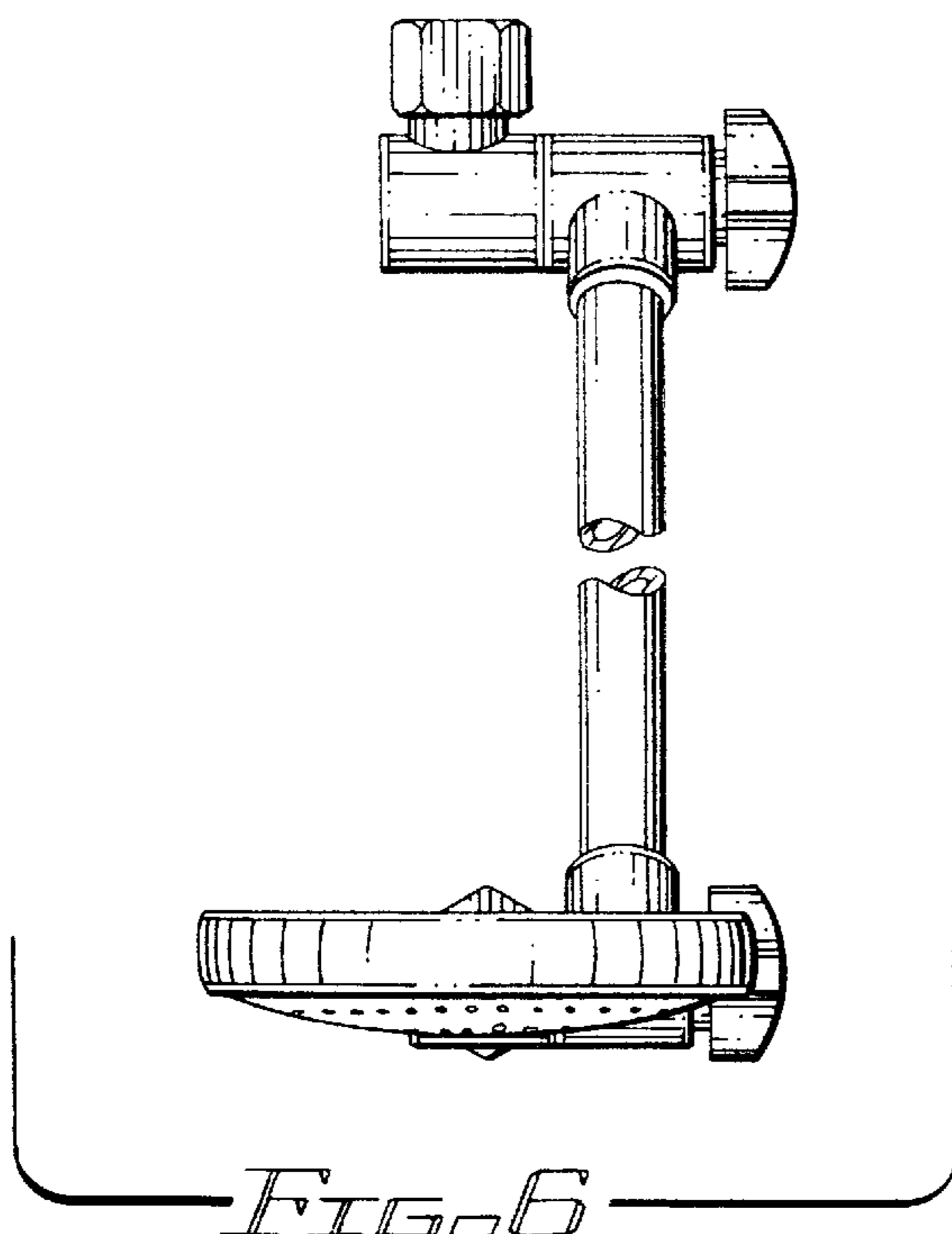


FIG. 6

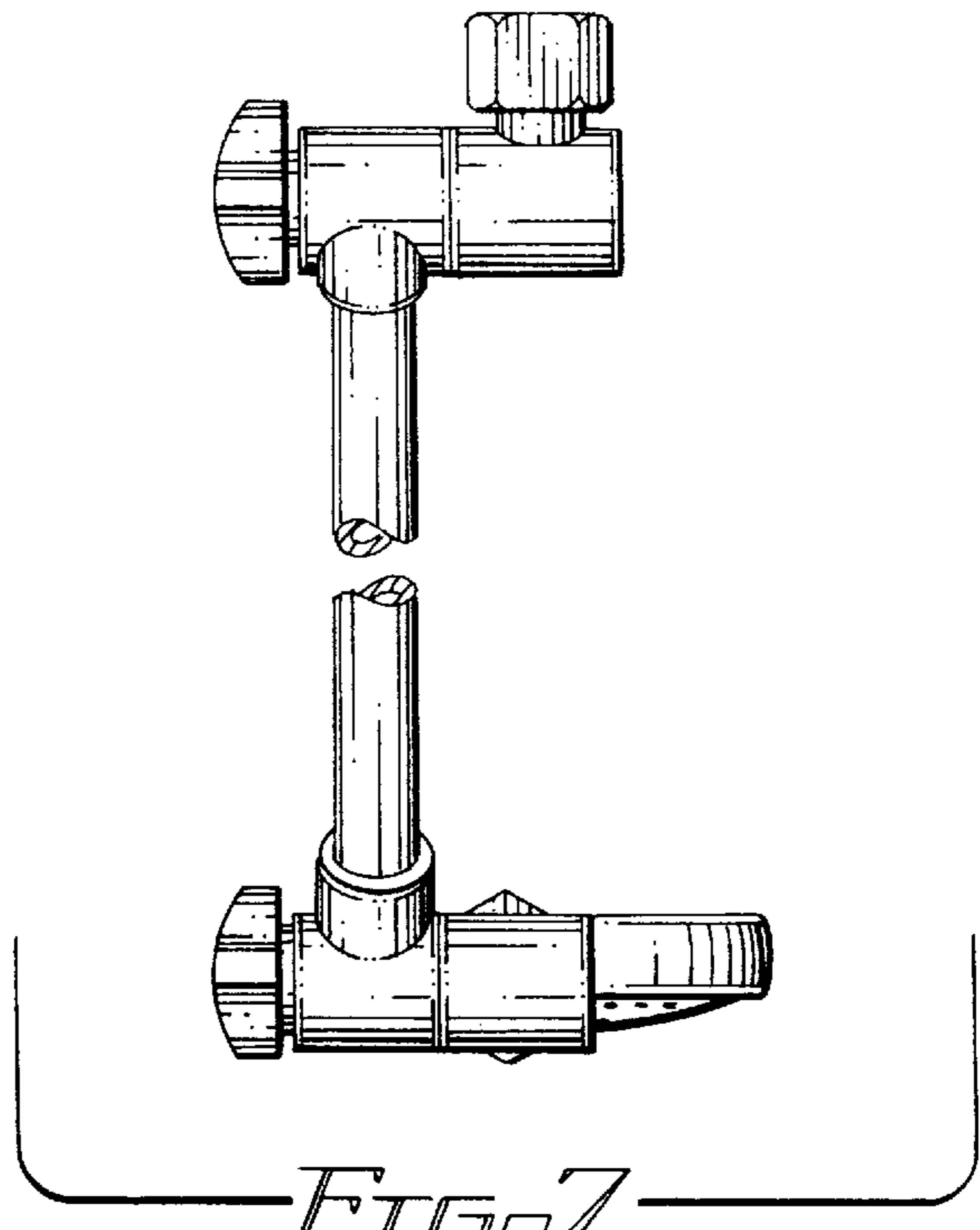


FIG. 7