



US00D398367S

United States Patent [19]

Andrepont et al.

[11] Patent Number: Des. 398,367

[45] Date of Patent: **Sep. 15, 1998

[54] FILTER CARTRIDGE

[75] Inventors: **Steve Andrepont**, Hattiesburgh, Miss.; **Kevin Christian Coullahan**, Los Gatos, Calif.; **Phillip Randolph Hartley**, San Francisco, Calif.; **Matthew John Barthelemy**, Palo Alto, Calif.; **Matthew Allison Herron**, Palo Alto, Calif.

[73] Assignee: **Sunbeam Products, Inc.**, Delray Beach, Fla.

[**] Term: **14 Years**

[21] Appl. No.: **69,856**

[22] Filed: **May 16, 1997**

[51] LOC (6) Cl. **23-01**

[52] U.S. Cl. **D23/209**

[58] Field of Search D23/200, 207, D23/209; 210/459-461, 232, 238, 241

[56] References Cited

U.S. PATENT DOCUMENTS

D. 333,337	2/1993	Harty	D23/209
D. 366,516	1/1996	Stewart	D23/209
D. 371,186	6/1996	Grayson	D23/207
D. 377,388	1/1997	Weber	D23/207

Primary Examiner—Freda Nunn
Assistant Examiner—Robin V. Taylor
Attorney, Agent, or Firm—Dennis M. Carleton

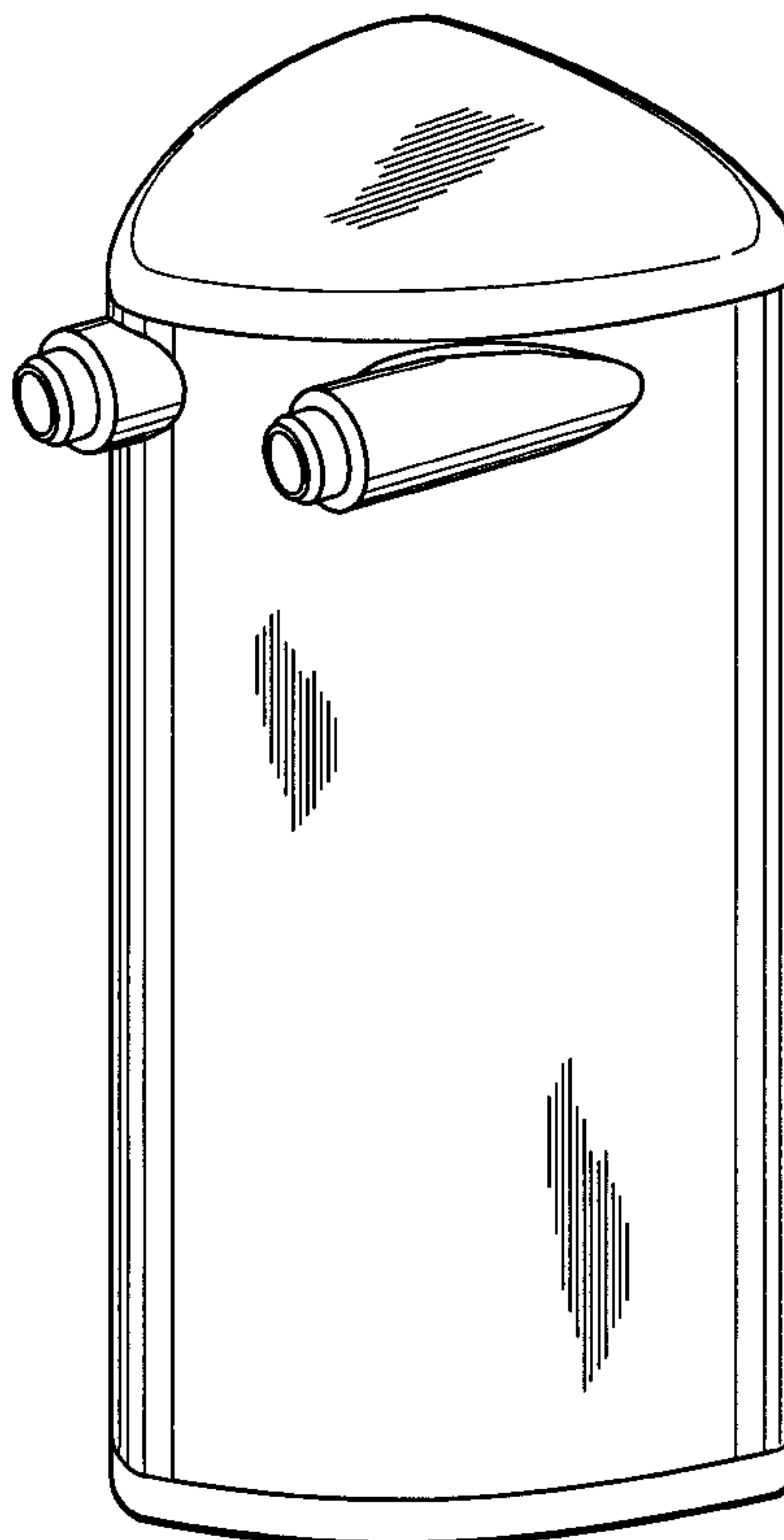
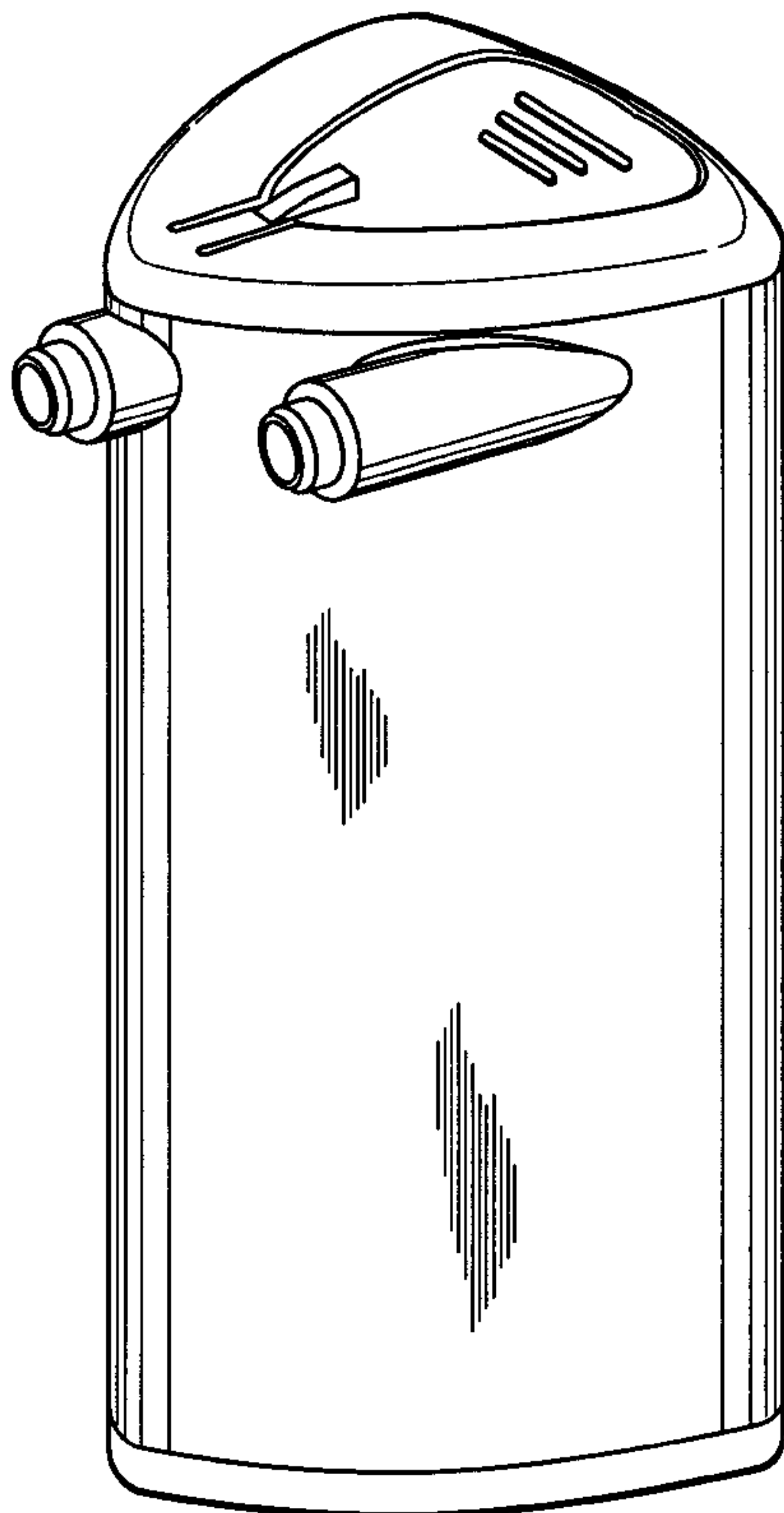
[57] CLAIM

The ornamental designs for a filter cartridge, as shown.

DESCRIPTION

FIG. 1 is a perspective view of a filter cartridge of the present invention;
FIG. 2 is a left side elevational view of the filter cartridge of FIG. 1;
FIG. 3 is a right side elevational view of the filter cartridge of FIG. 1;
FIG. 4 is a front elevational view of the filter cartridge of FIG. 1;
FIG. 5 is a rear elevational view of the filter cartridge of FIG. 1;
FIG. 6 is a top plan view of the filter cartridge of FIG. 1;
FIG. 7 is a bottom plan view of the filter cartridge of FIG. 1;
FIG. 8 is a perspective view of another filter cartridge of the present invention;
FIG. 9 is a left side elevational view of the filter cartridge of FIG. 8;
FIG. 10 is a right side elevational view of the filter cartridge of FIG. 8;
FIG. 11 is a front elevational view of the filter cartridge of FIG. 8;
FIG. 12 is a rear elevational view of the filter cartridge of FIG. 8;
FIG. 13 is a top plan view of the filter cartridge of FIG. 8; and,
FIG. 14 is a bottom plan view of the filter cartridge of FIG. 8.

1 Claim, 6 Drawing Sheets



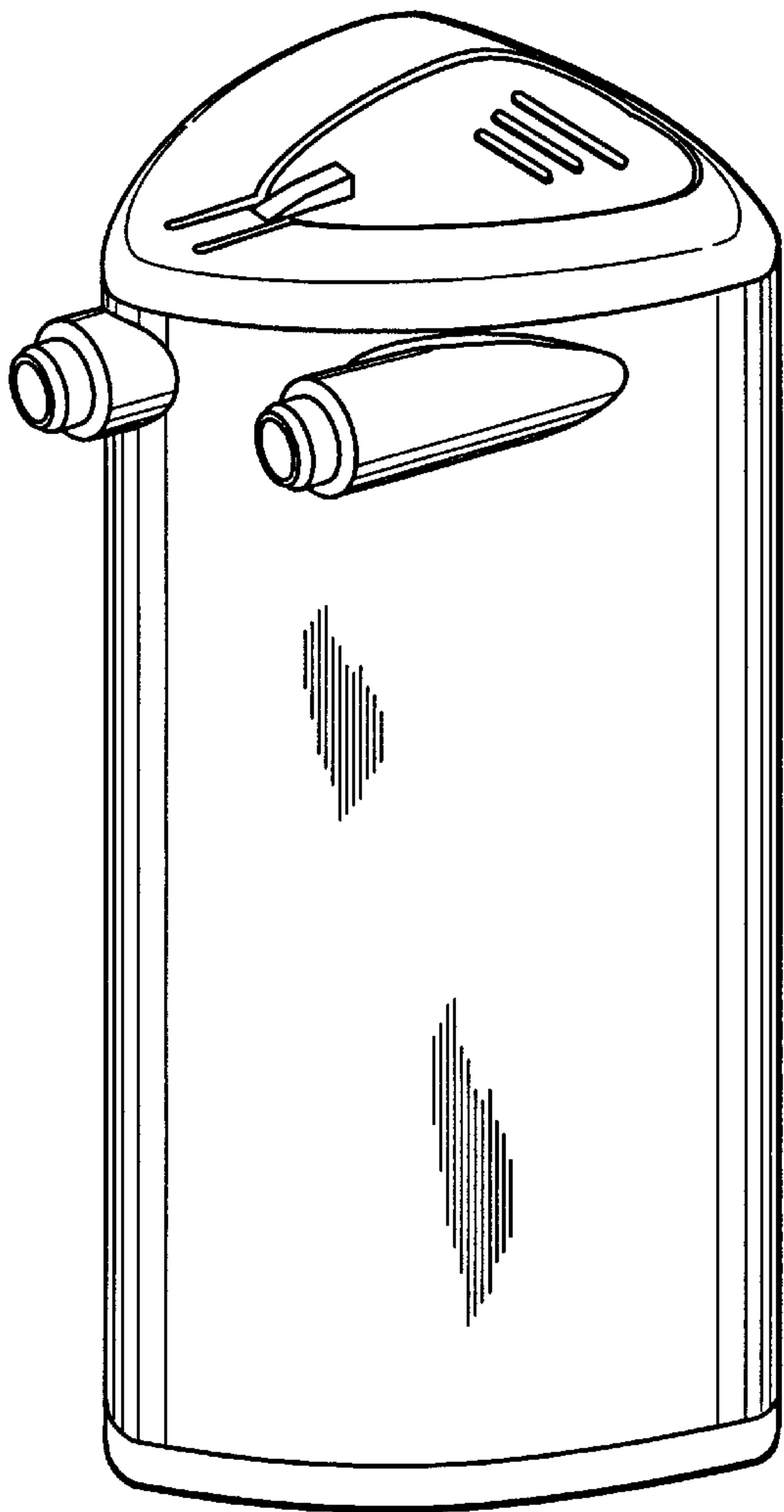


FIG. 1

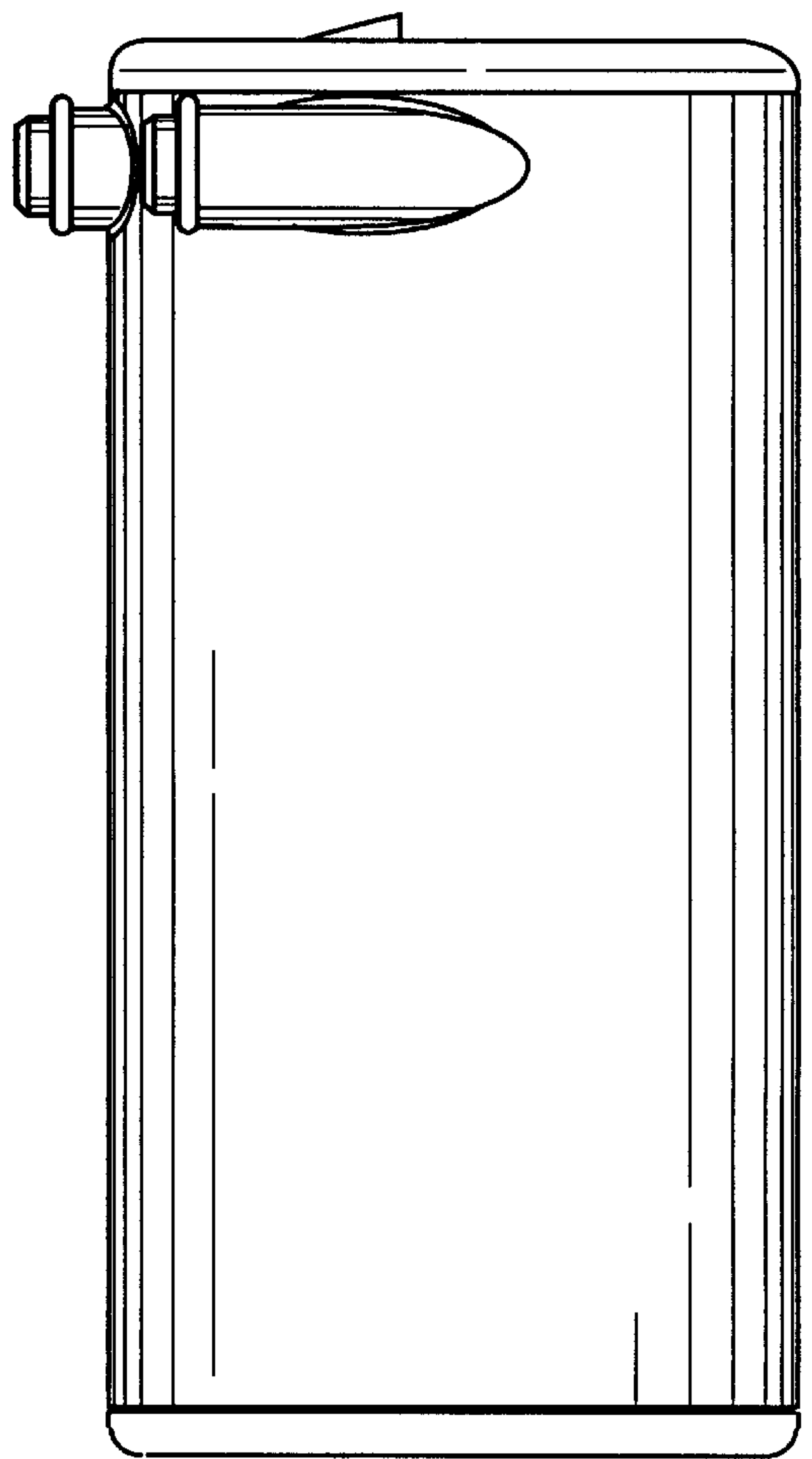


FIG. 2

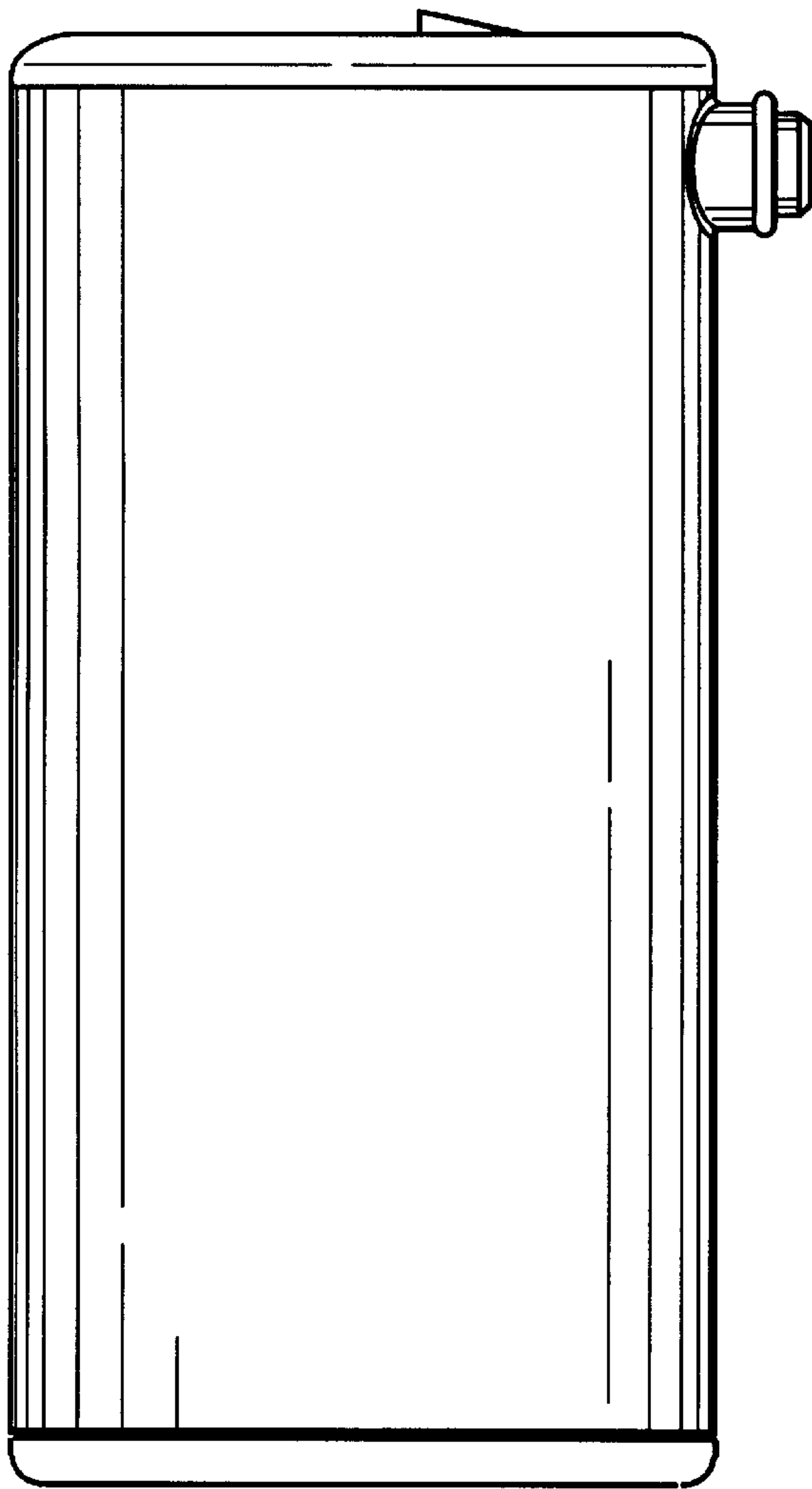


FIG. 3

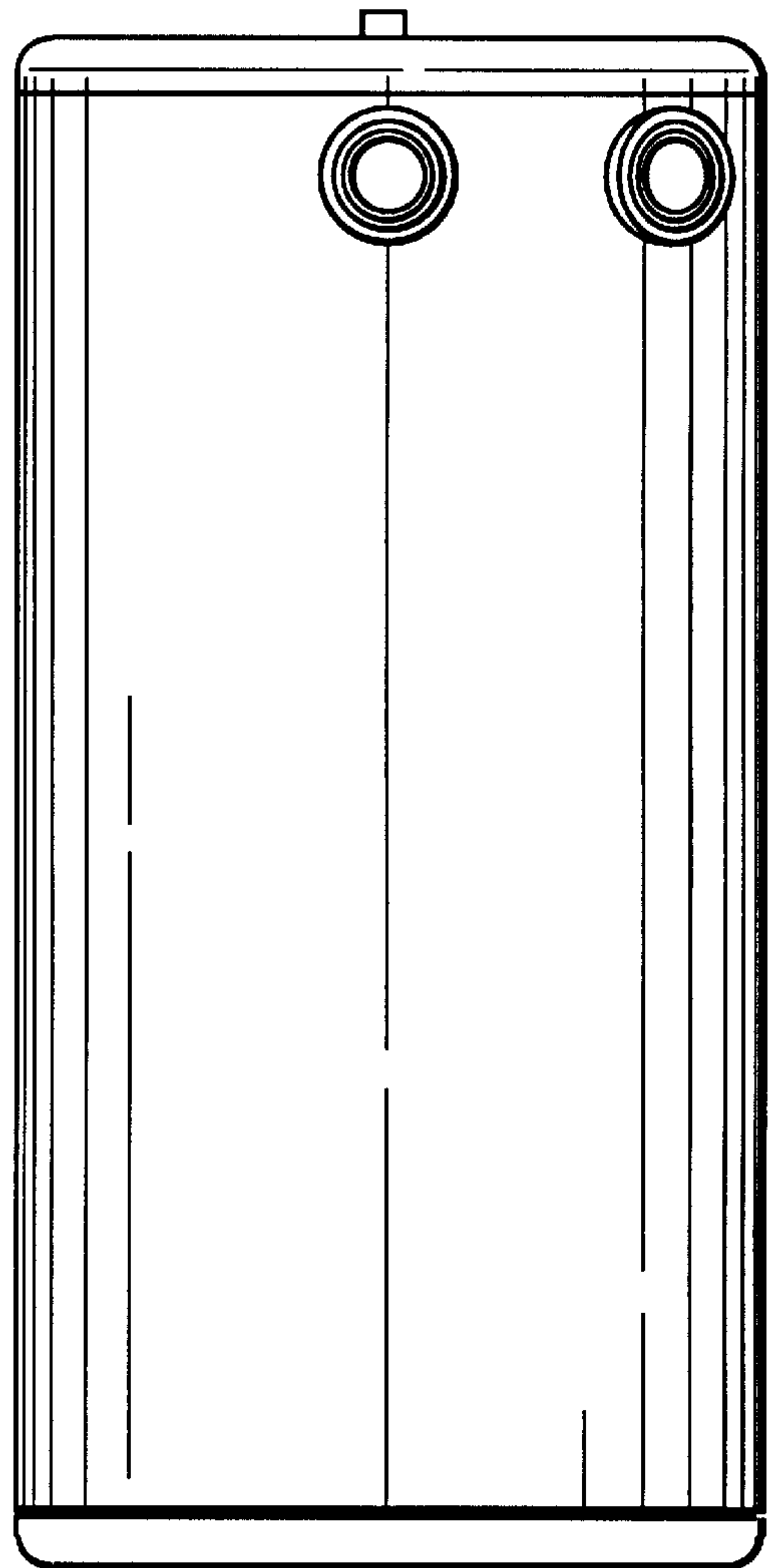


FIG. 4

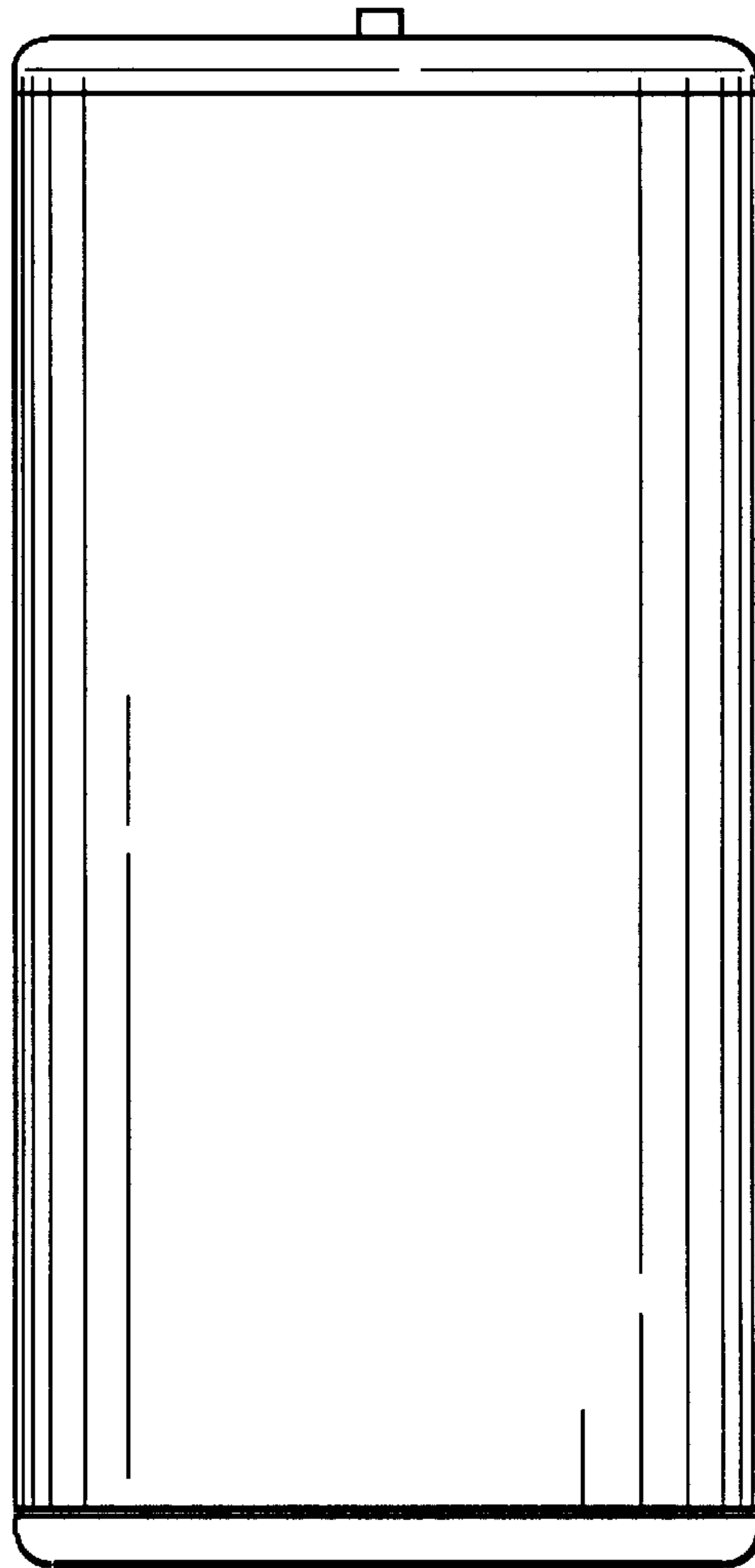


FIG. 5

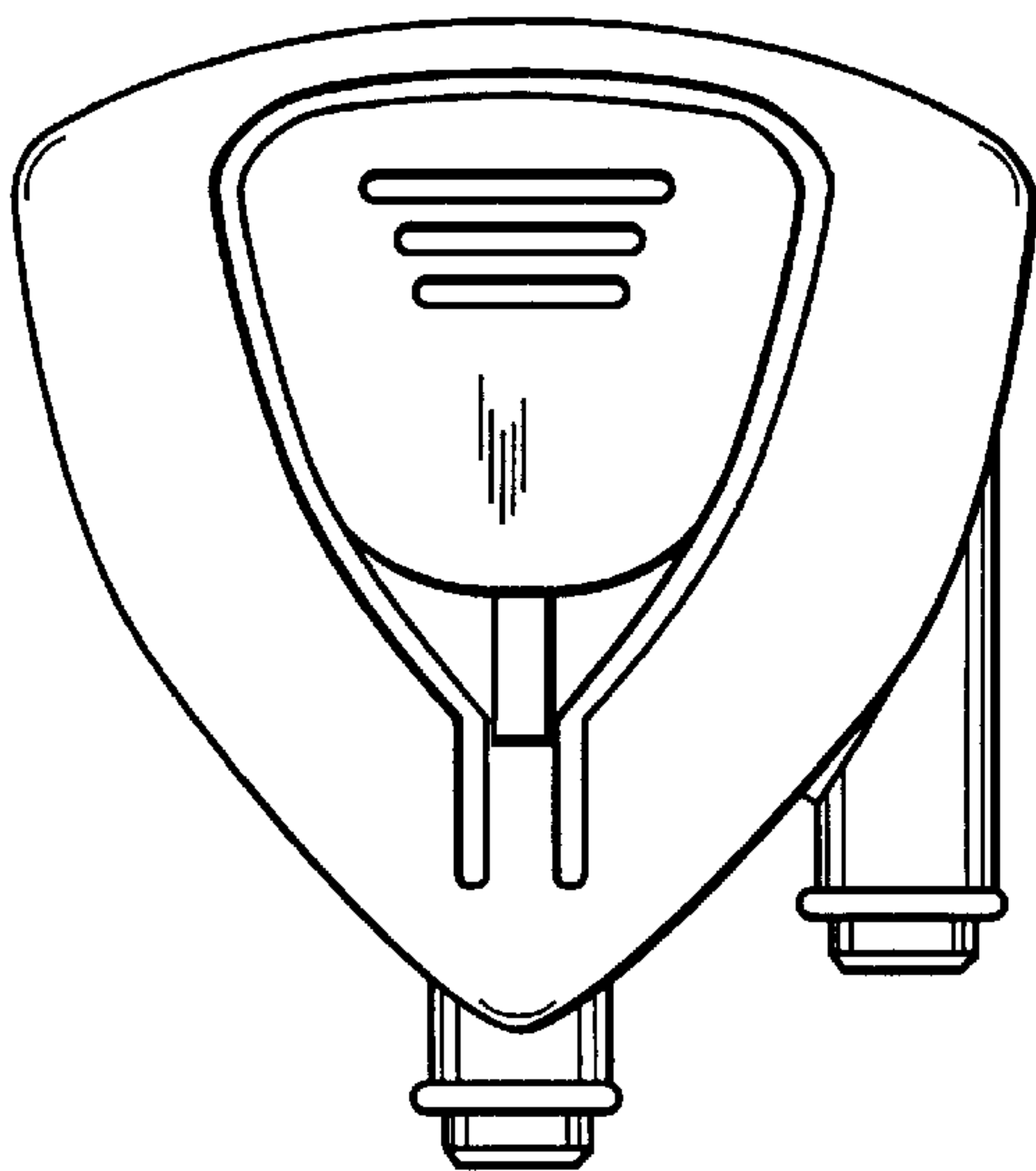


FIG. 6

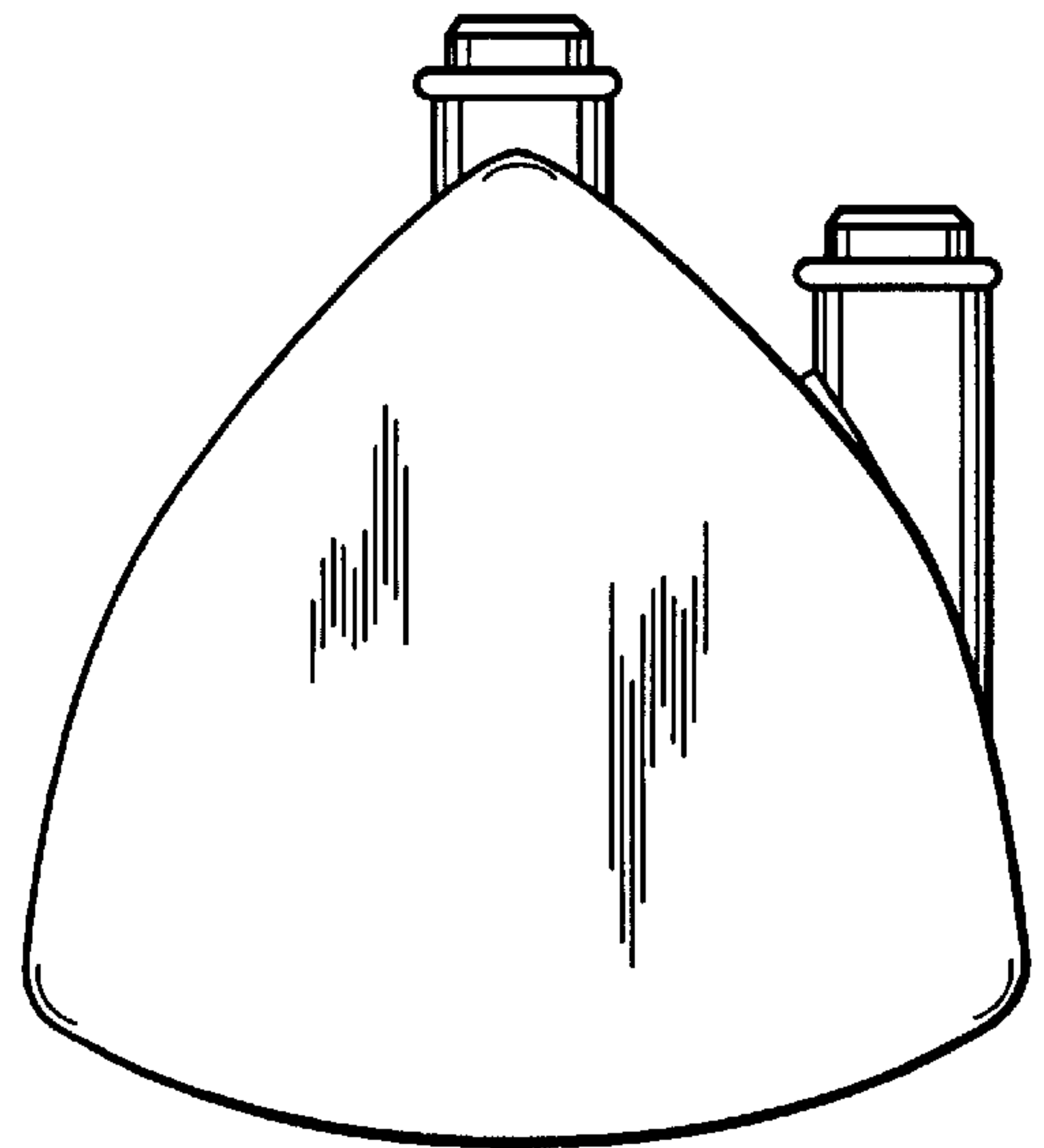


FIG. 7

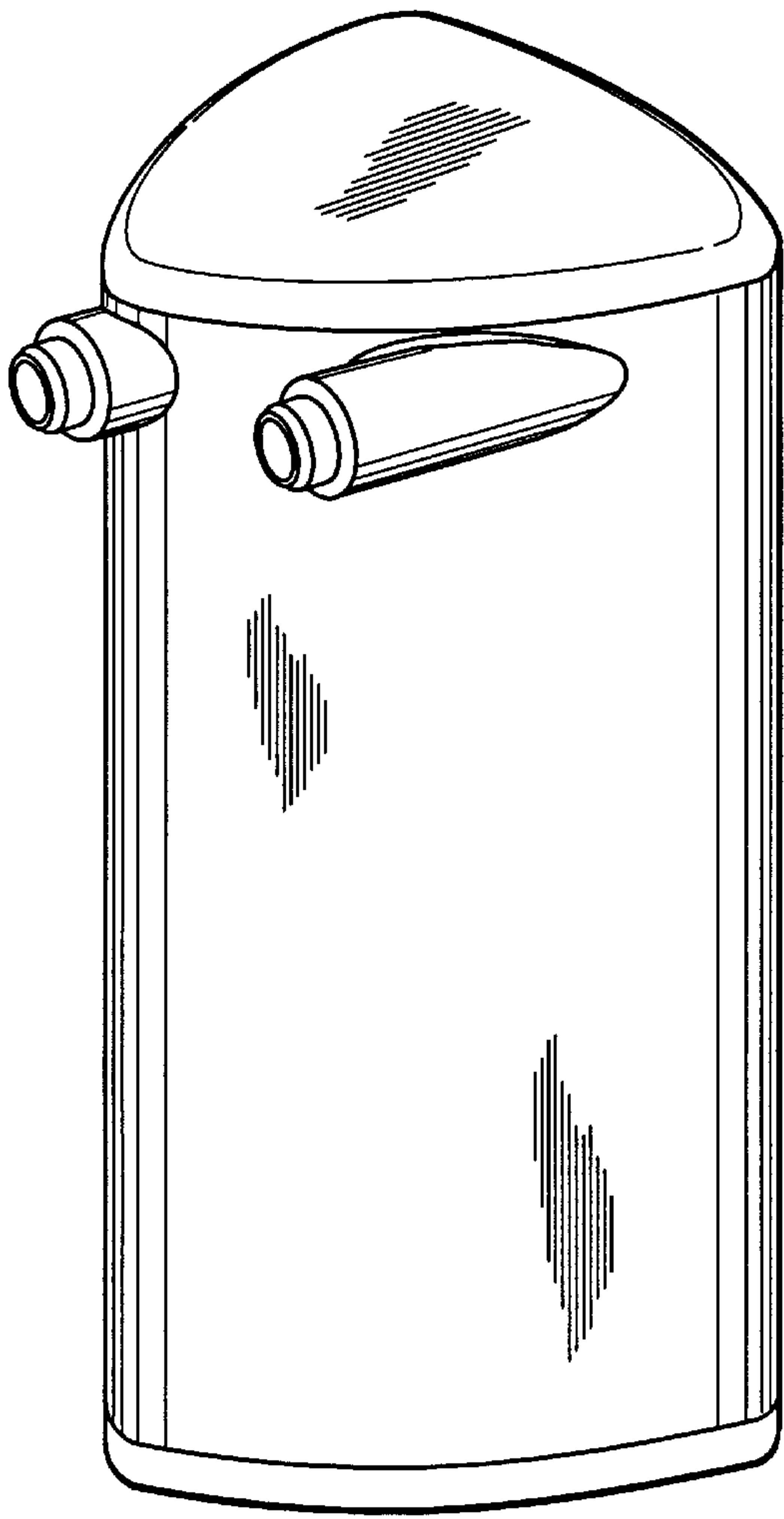


FIG. 8

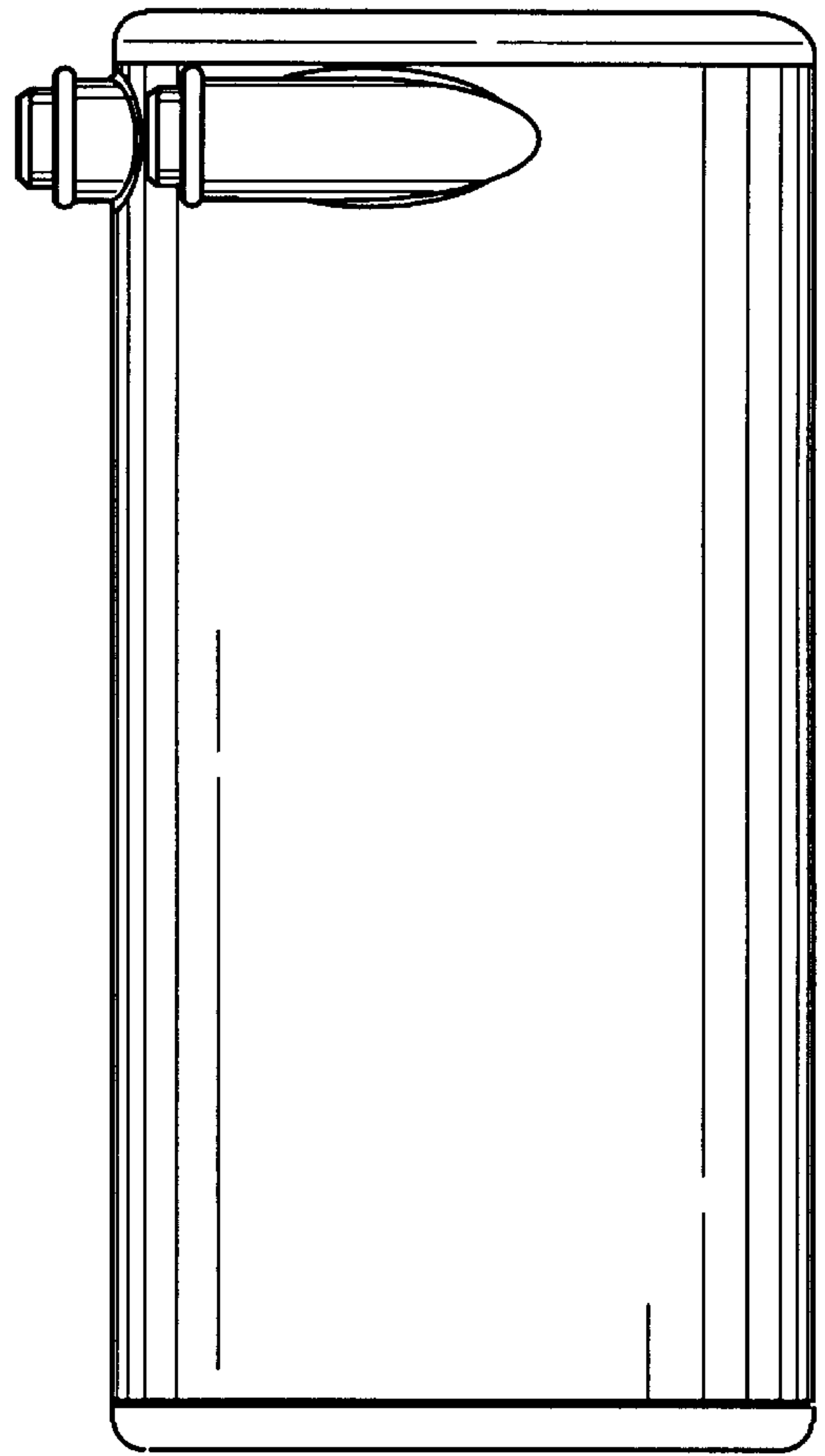


FIG. 9

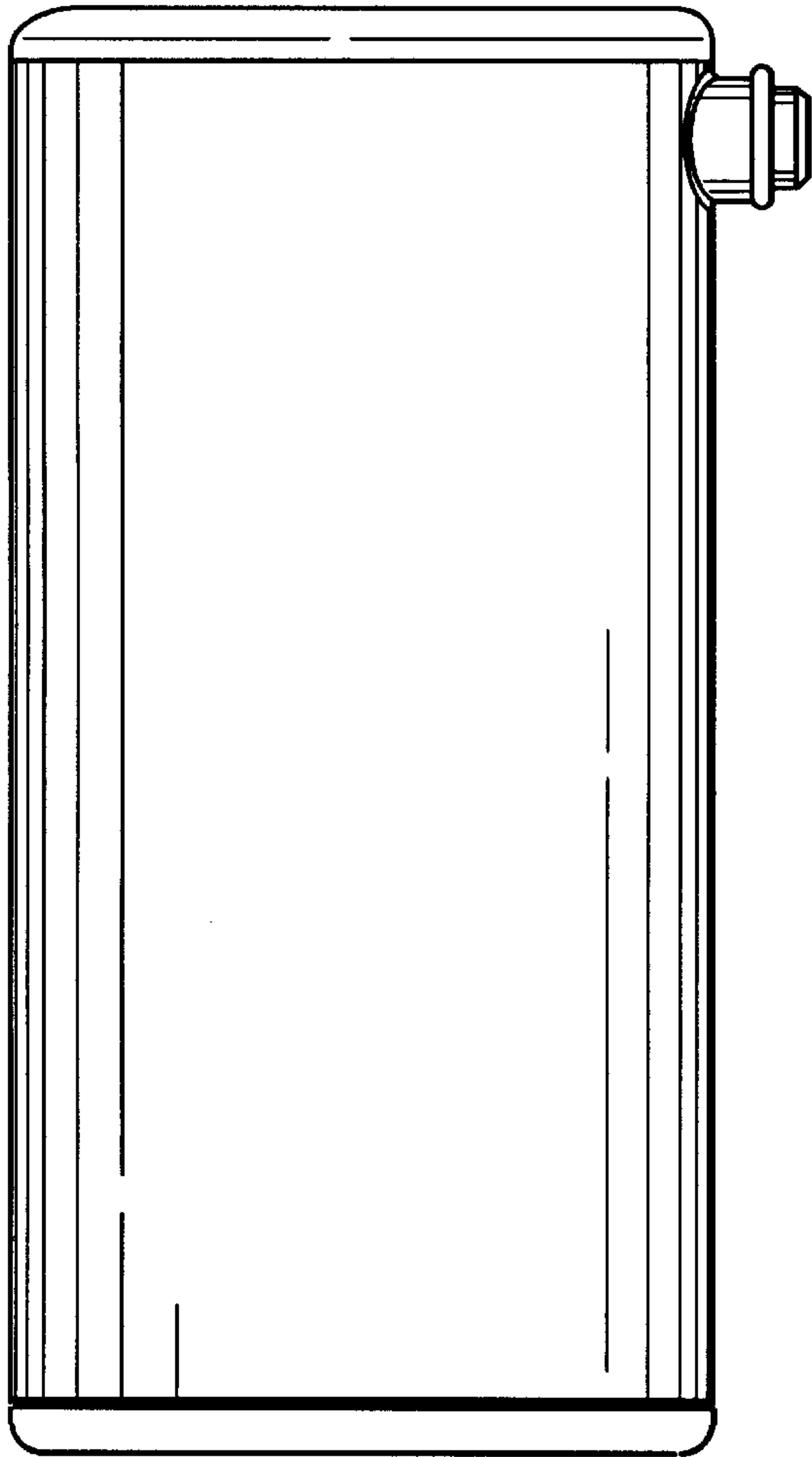


FIG. 10

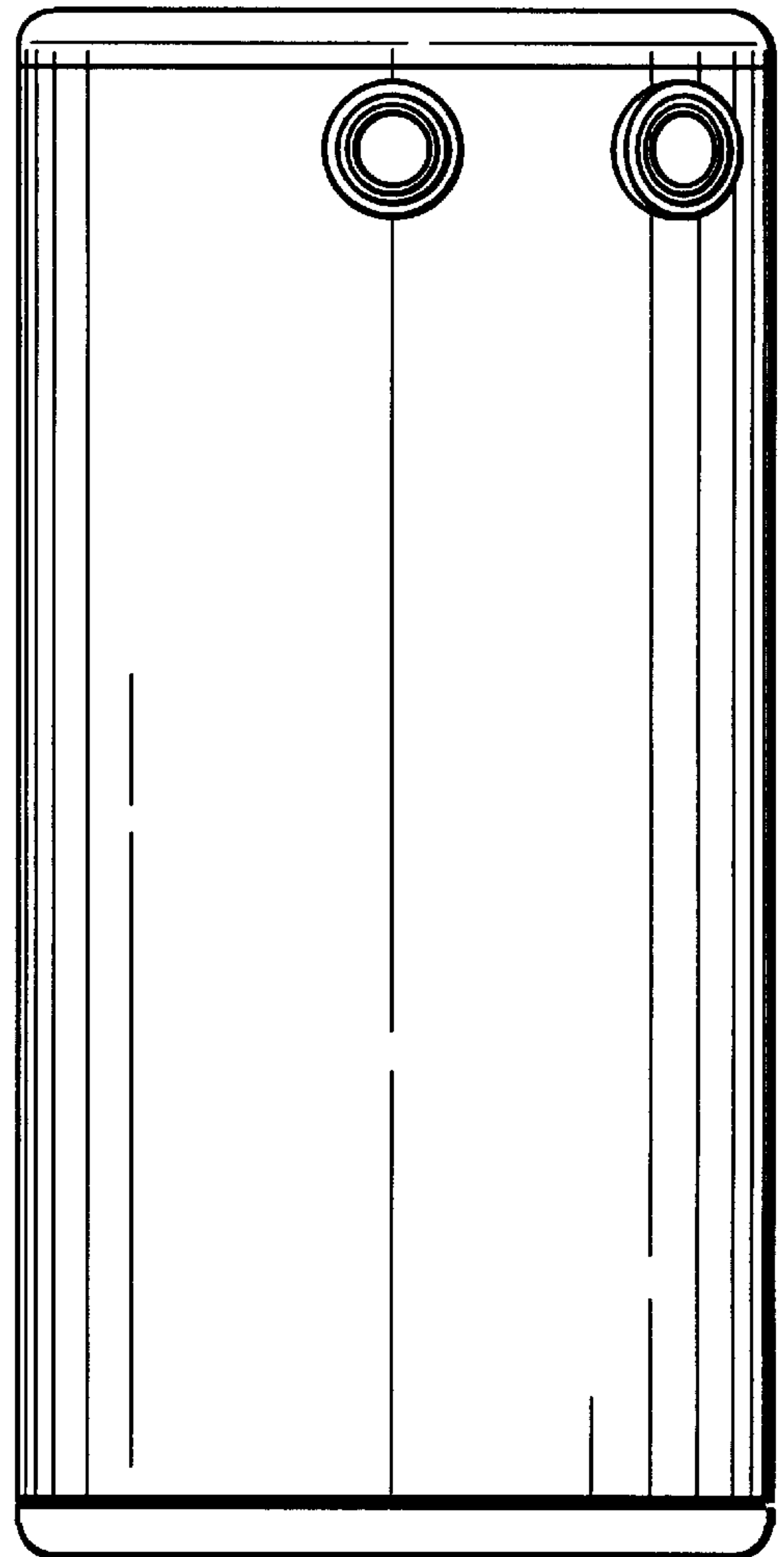


FIG. 11

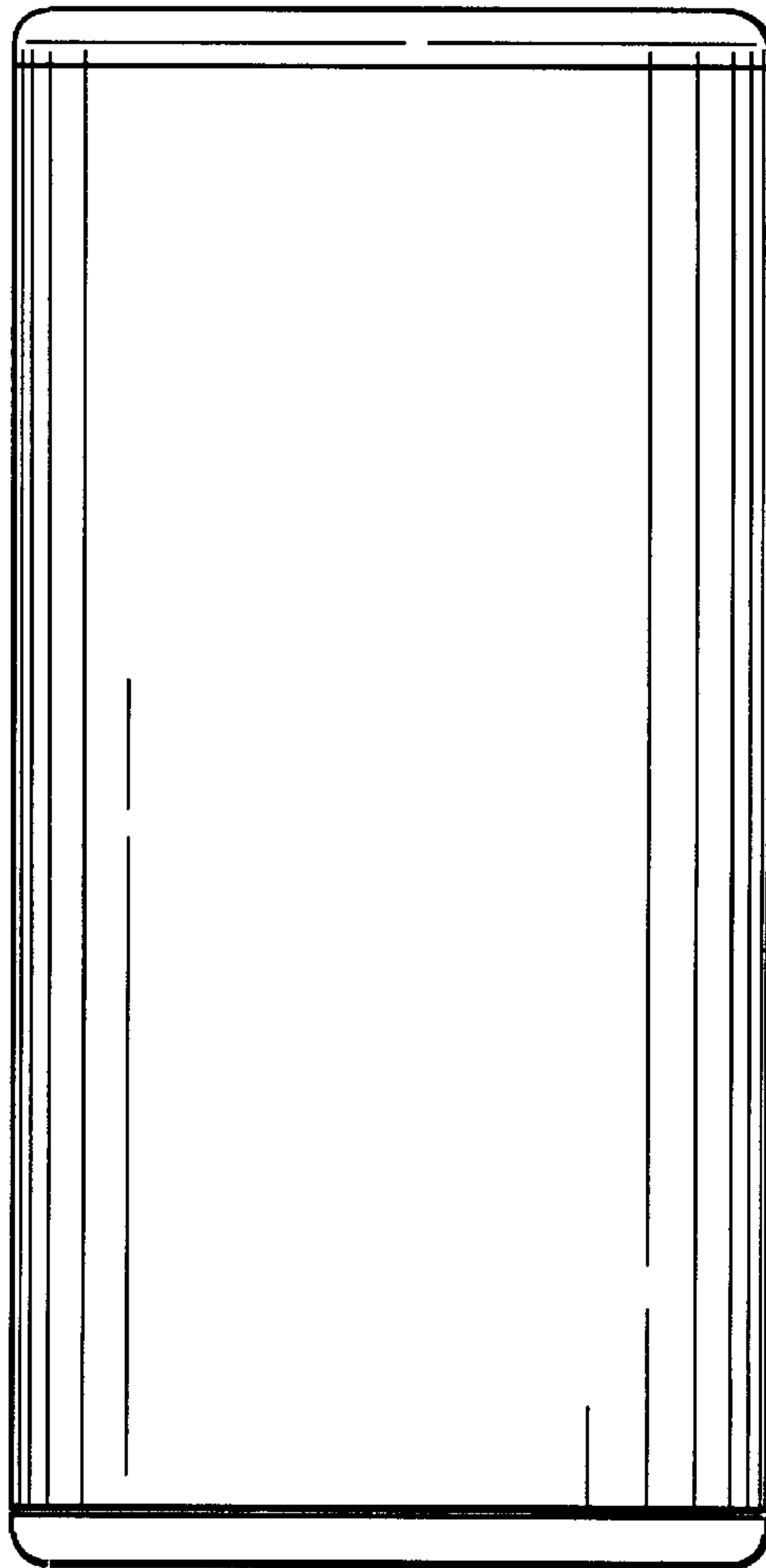


FIG. 12

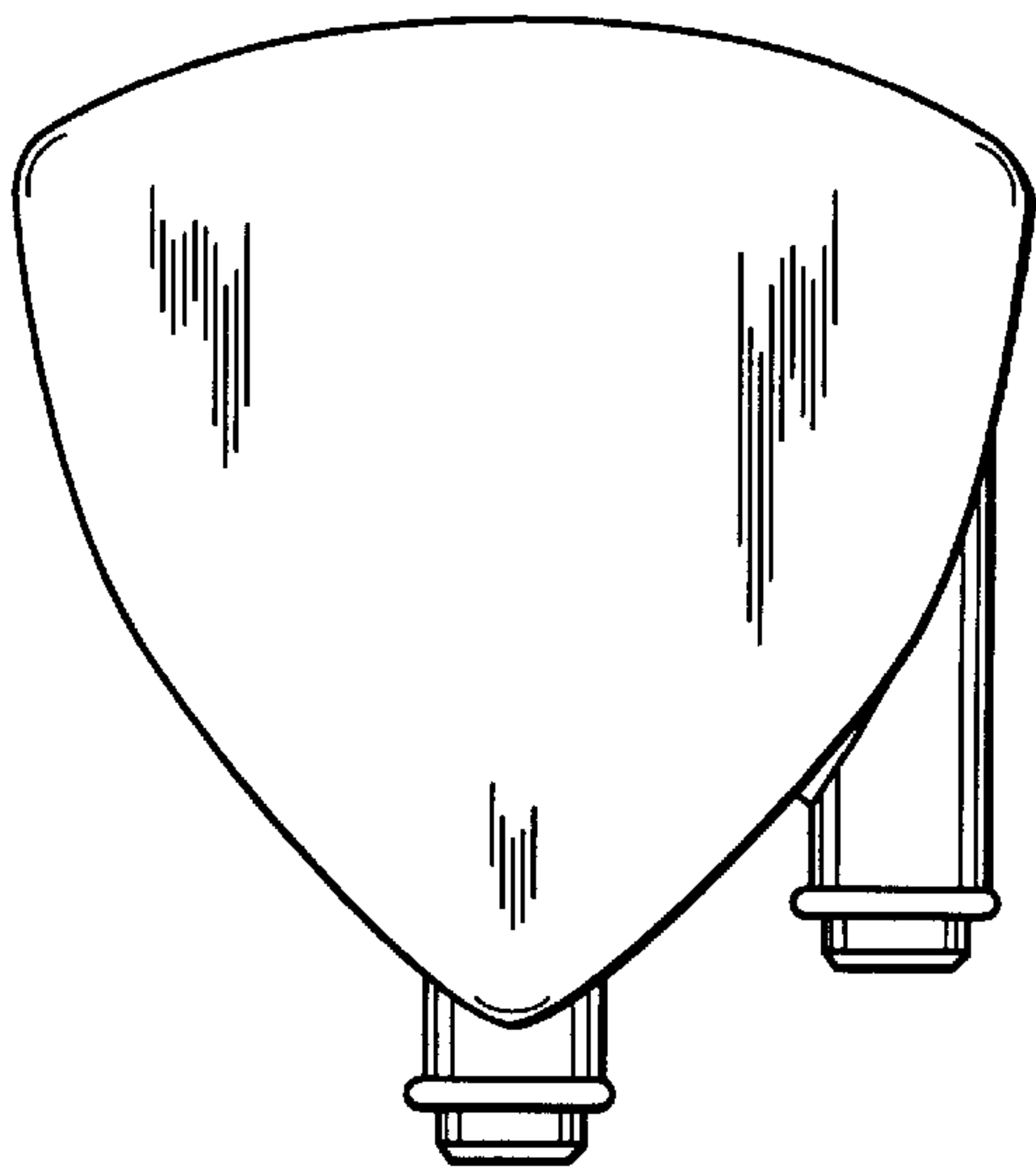


FIG. 13

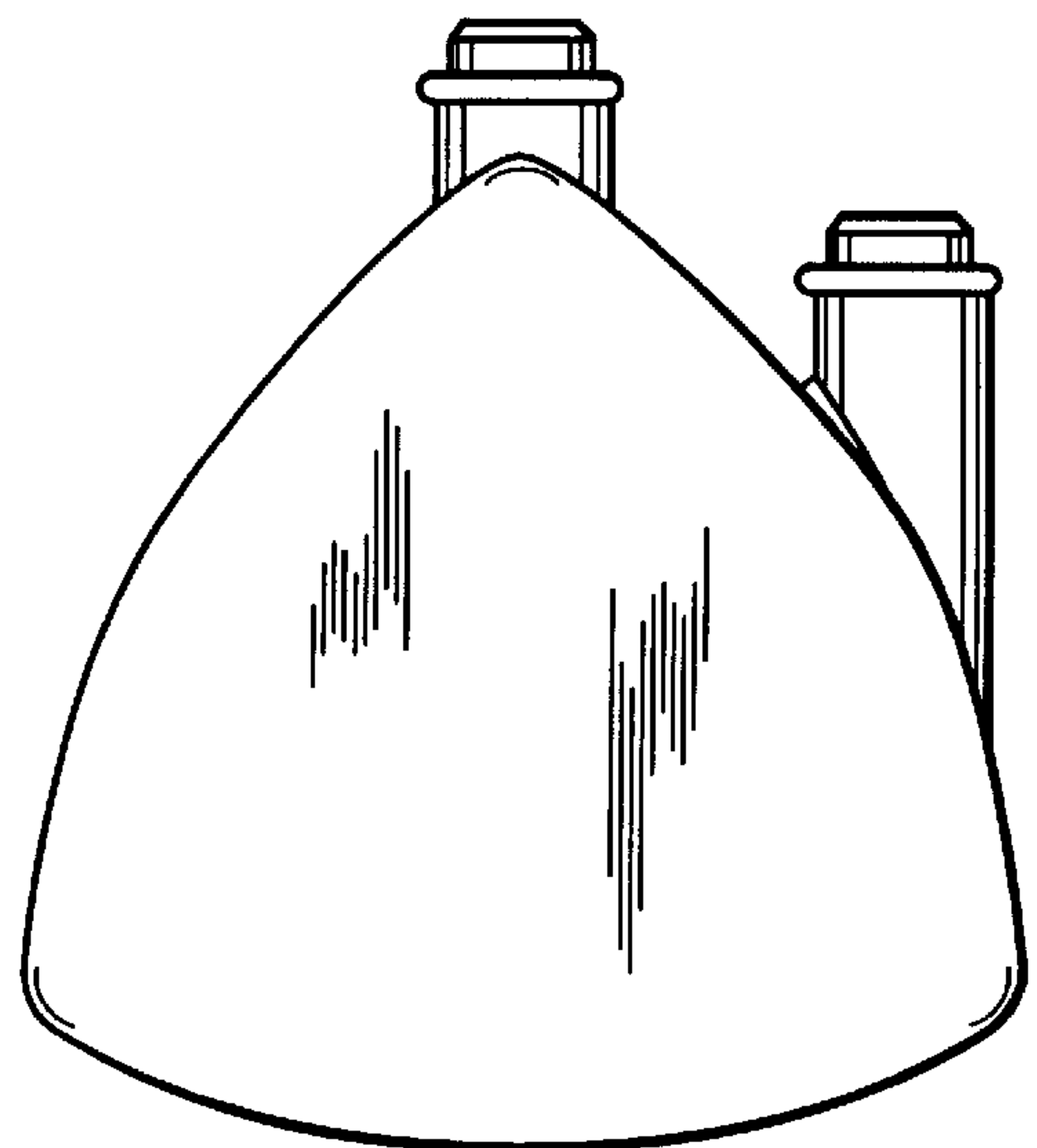


FIG. 14