



US00D398363S

United States Patent [19]
LoBue

[11] **Patent Number: Des. 398,363**

[45] **Date of Patent: **Sep. 15, 1998**

[54] **UMBRELLA ANCHOR**

[76] Inventor: **Paul LoBue**, 208 1/2 4th St., Seal Beach, Calif. 90740

[**] Term: **14 Years**

[21] Appl. No.: **75,333**

[22] Filed: **Aug. 20, 1997**

[51] **LOC (6) Cl.** **21-04**

[52] **U.S. Cl.** **D21/255**

[58] **Field of Search** D21/253-255;
D8/1.387; 135/97, 99, 123-126, 128, 139,
143, 156, 118, 900-902; 411/378, 395,
401

[56] **References Cited**

U.S. PATENT DOCUMENTS

D. 257,212	10/1980	Parker	D8/1
D. 302,512	8/1989	Slayton	D8/1
D. 313,471	1/1991	Bremer et al.	D8/387
D. 347,948	6/1994	McKnight	D6/417
D. 347,980	6/1994	Butch	D8/1
D. 368,211	3/1996	Skold	D8/1

D. 381,892	8/1997	Porter et al.	D8/387
4,598,334	7/1986	Grellmann et al.	411/378
4,832,304	5/1989	Morgulis	248/533
4,892,429	1/1990	Giannuzzi	411/395
5,088,681	2/1992	Procaccianti et al.	248/530
5,122,014	6/1992	Genfan	405/244
5,358,209	10/1994	Ward	248/545
5,396,916	3/1995	Boissonnault	135/16

Primary Examiner—Sandra L. Morris
Attorney, Agent, or Firm—Goldstein & Associates

[57] **CLAIM**

The ornamental design for an umbrella anchor, as shown and described.

DESCRIPTION

FIG. 1 is a diagrammatic perspective view of the umbrella anchor;
FIG. 2 is a front elevational view thereof;
FIG. 3 is a rear elevational view thereof;
FIG. 4 is a right side elevational view thereof;
FIG. 5 is a left side elevational view of the umbrella anchor;
FIG. 6 is a top plan view of the umbrella anchor; and,
FIG. 7 is a bottom plan view thereof.

1 Claim, 6 Drawing Sheets

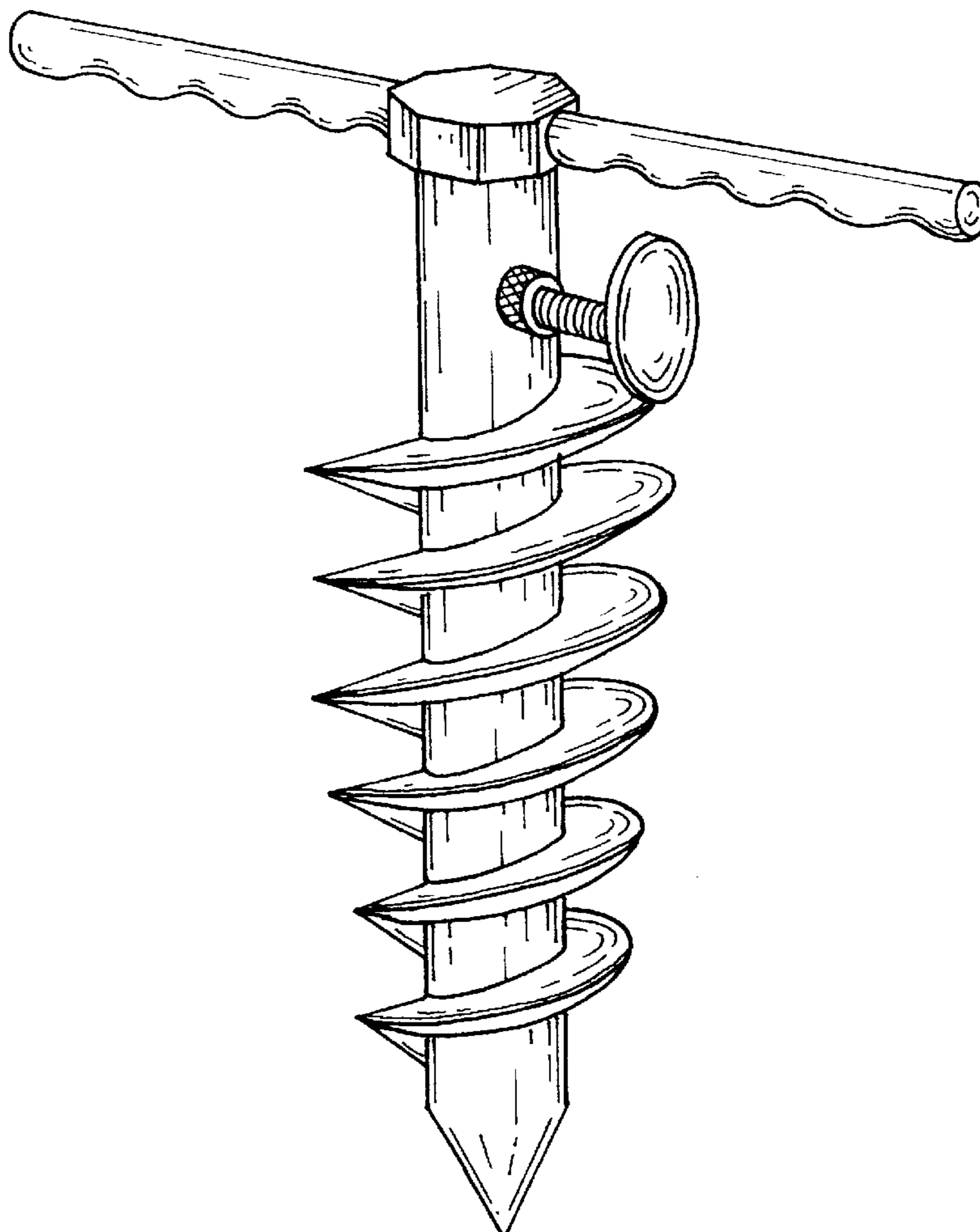


FIG. 1

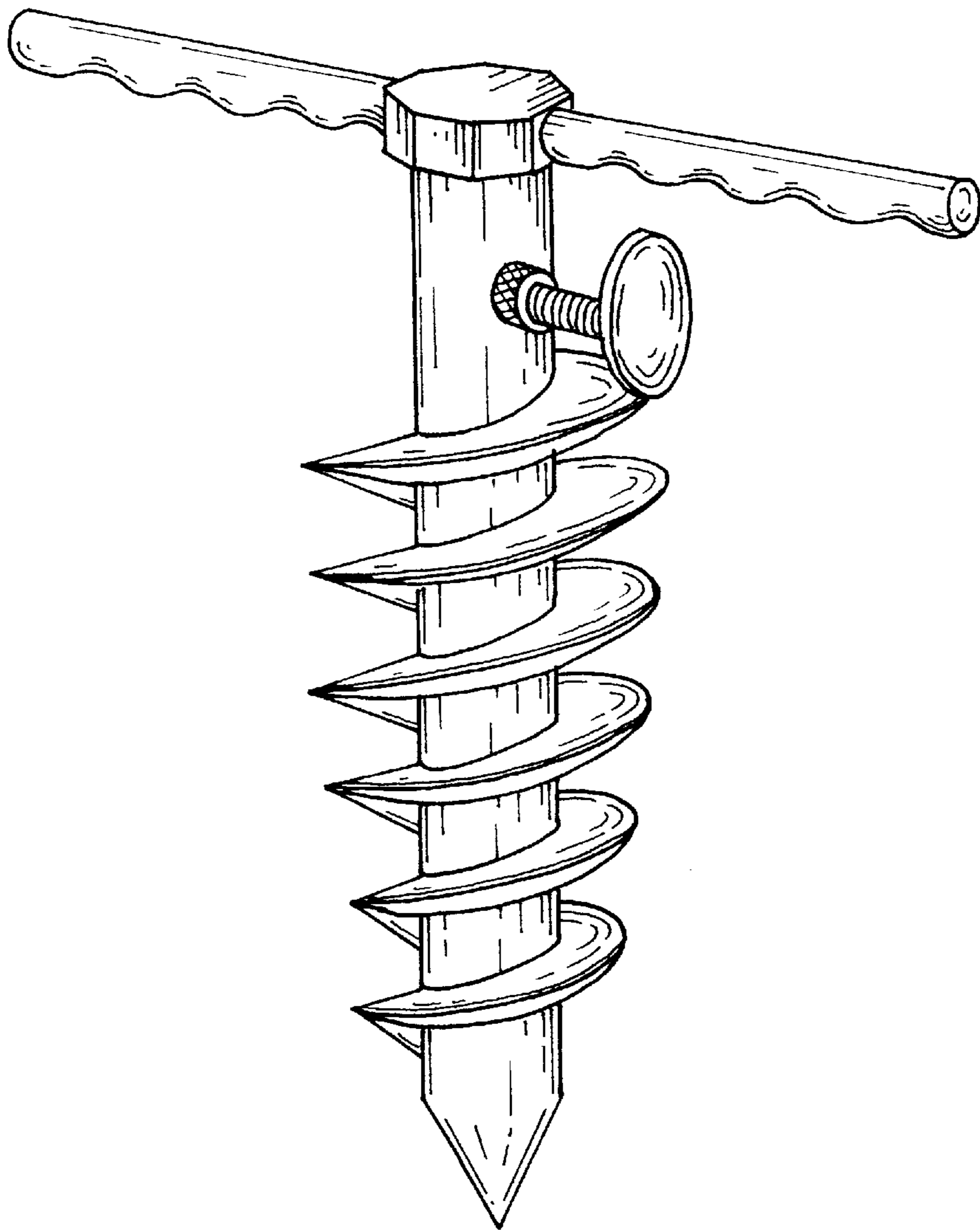


FIG. 2

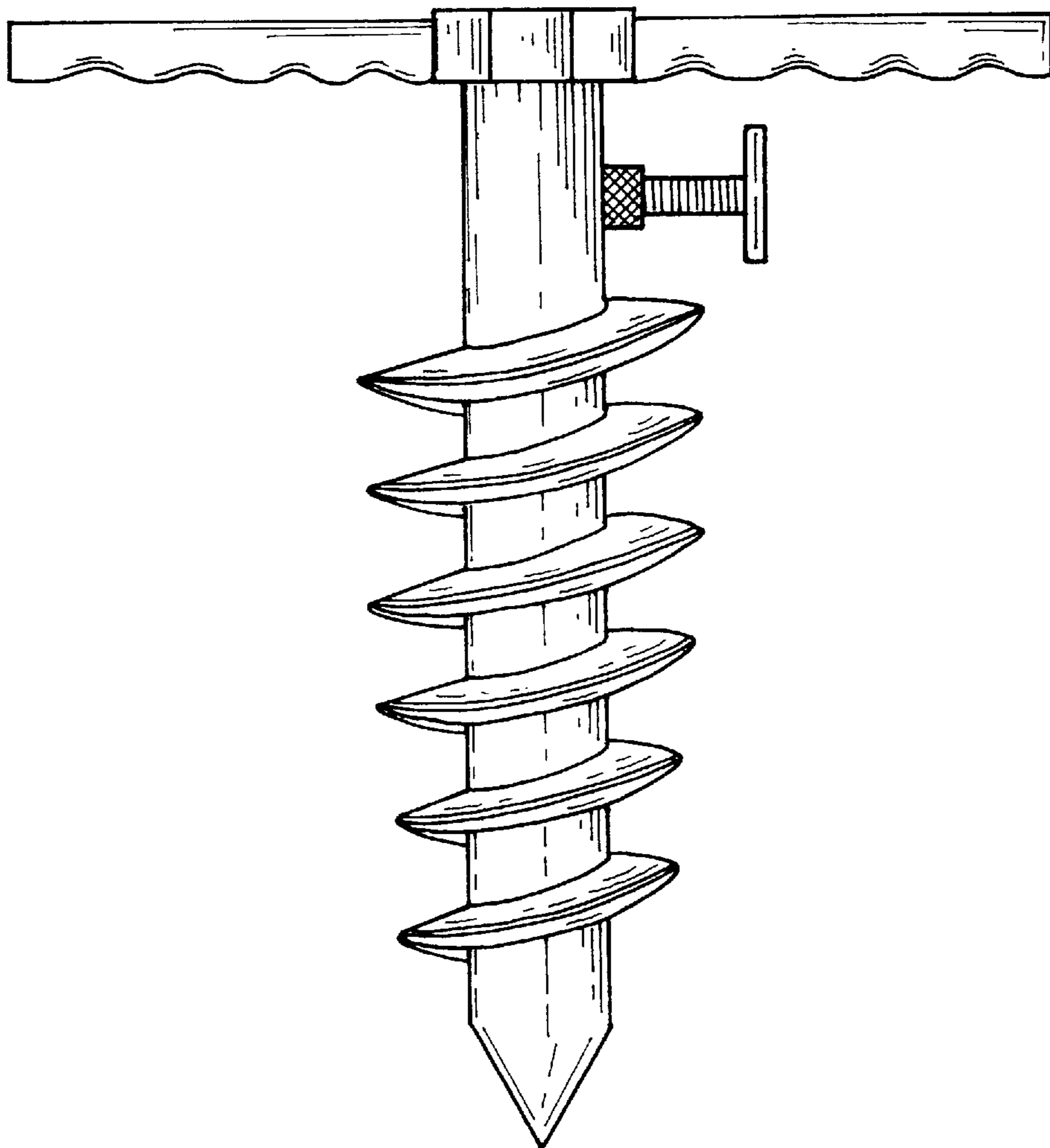


FIG. 3

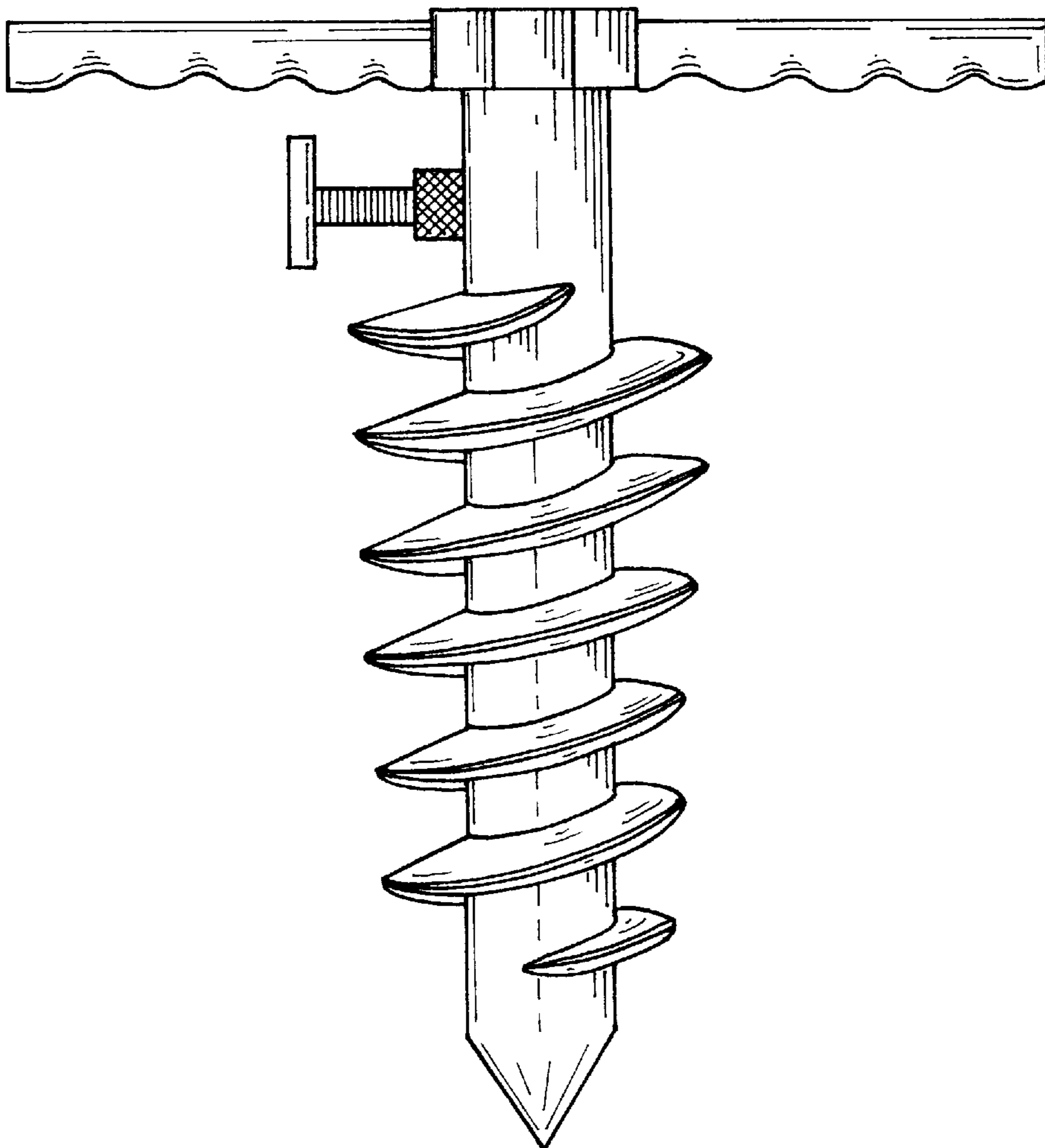


FIG. 4

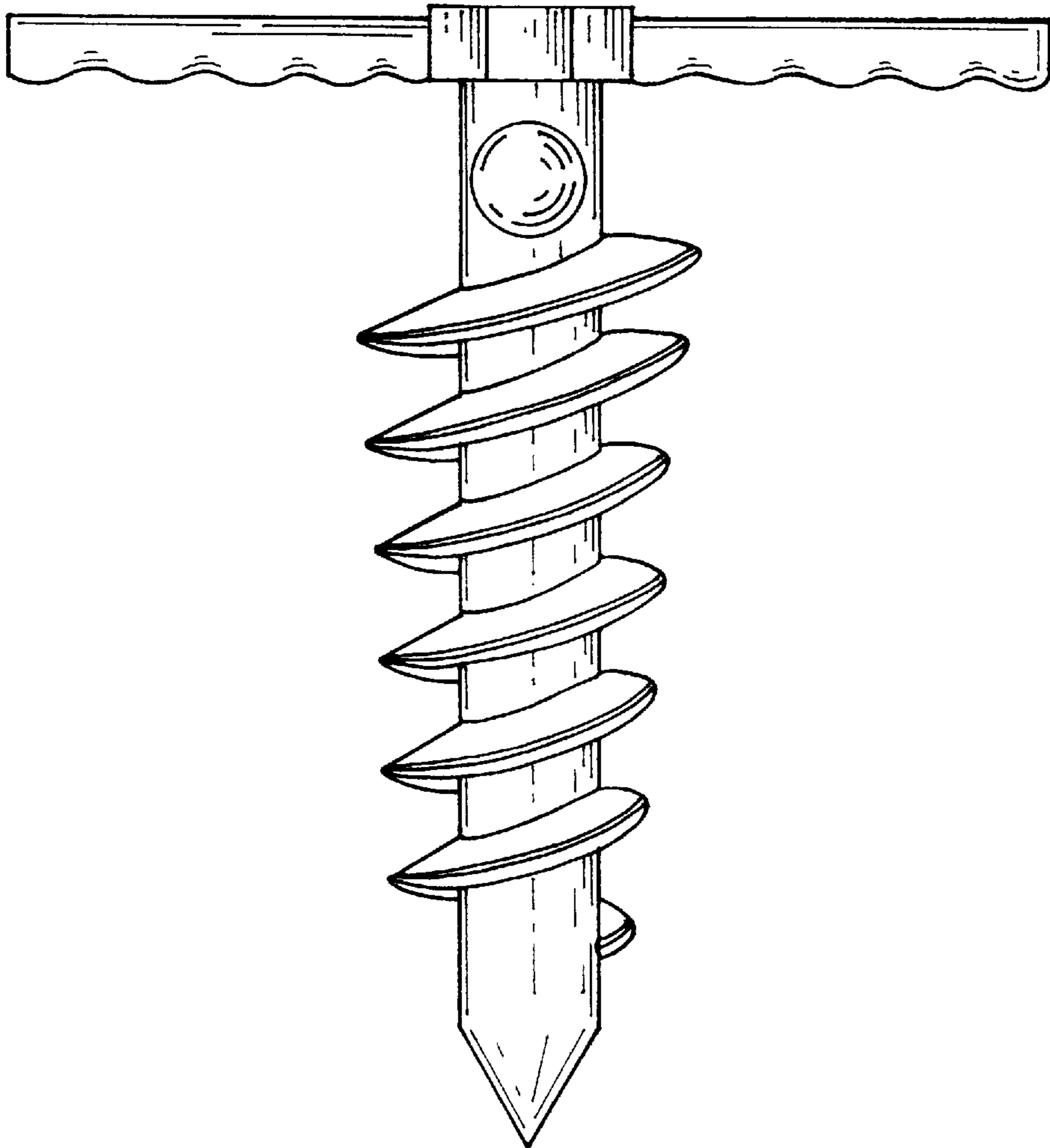


FIG. 5

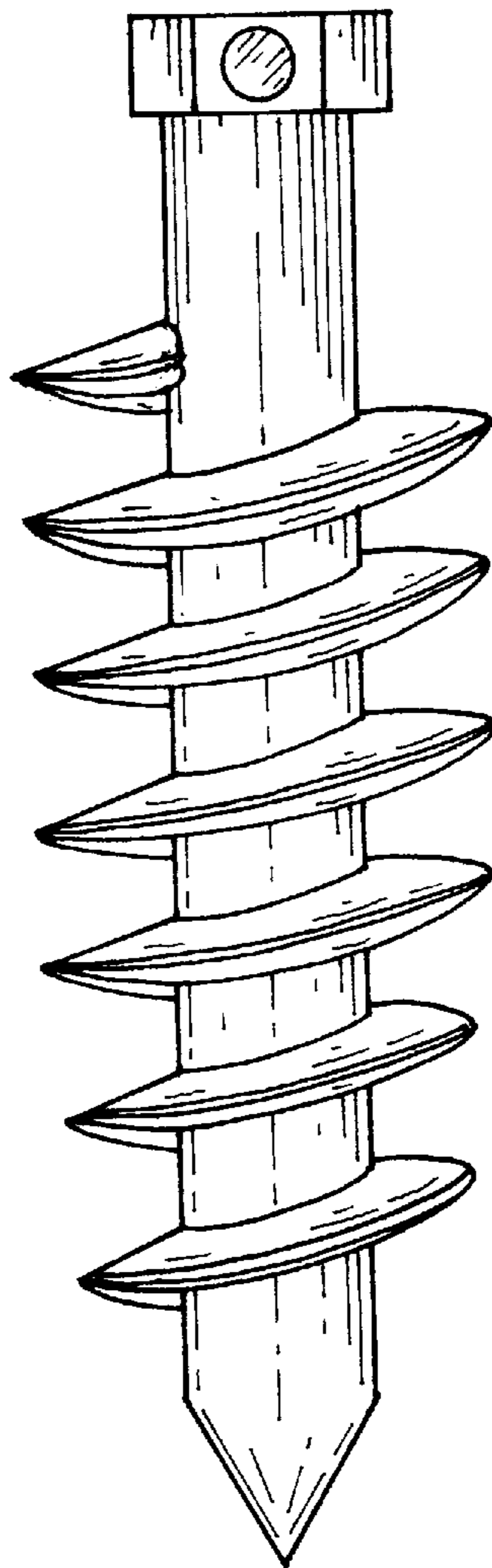


FIG. 6

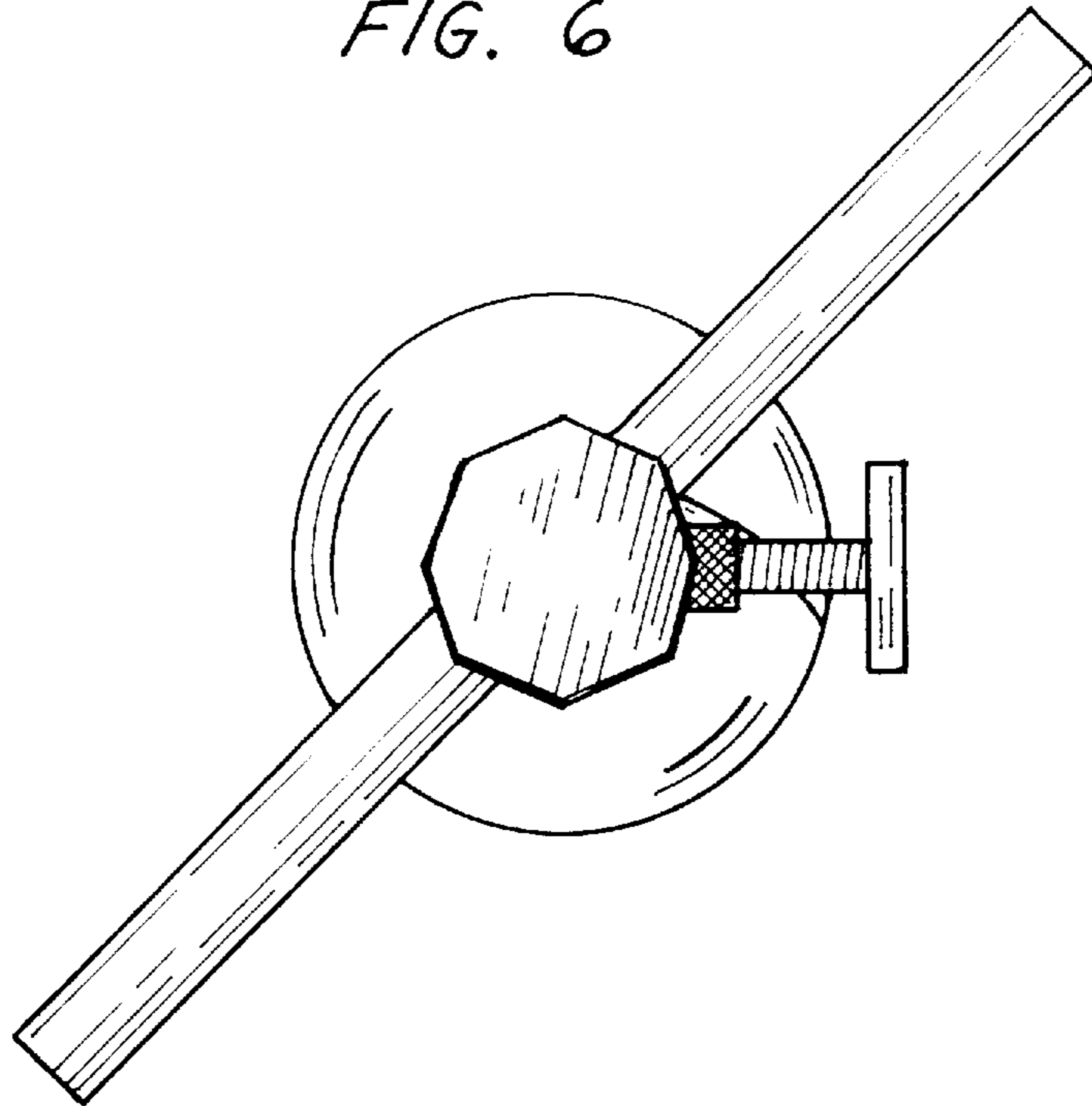


FIG. 7

