



US00D398359S

United States Patent [19] Hicks

[11] **Patent Number: Des. 398,359**

[45] **Date of Patent: **Sep. 15, 1998**

[54] **KIT TO OPEN A HOLE FOR A GOLF TEE**

4,090,298 5/1978 Rushforth 473/386 X
4,142,719 3/1979 Blood 473/386
4,277,892 7/1981 Rushforth 473/386 X

[76] Inventor: **Kenneth R. Hicks**, 22610 10th Ave. S.,
Des Moines, Wash. 98198

[**] Term: **14 Years**

Primary Examiner—Sandra L. Morris
Assistant Examiner—Mitchell I. Siegel

[21] Appl. No.: **69,905**

[57] **CLAIM**

[22] Filed: **Apr. 24, 1997**

The ornamental design for a kit to open a hole for a golf tee,
as shown.

[51] **LOC (6) Cl.** **21-02**

DESCRIPTION

[52] **U.S. Cl.** **D21/234**

[58] **Field of Search** D21/234, 205,
D21/206, 208; 473/386, 387, 401

FIG. 1 is a front plan view of the kit to open a hole for a golf tee of the present invention;

[56] **References Cited**

U.S. PATENT DOCUMENTS

D. 306,632	3/1990	Gouin	D21/234
D. 311,431	10/1990	Weber	D21/234
D. 346,634	5/1994	Evers	D21/234
D. 367,907	3/1996	Sandstrom et al.	D21/234
D. 377,069	12/1996	High	D21/221
D. 378,117	2/1997	Aleamoni	D21/234
D. 384,386	9/1997	Sakins	D21/234
3,516,664	6/1970	Brennan	473/401 X
3,606,344	9/1971	Ball	473/401 X

FIG. 2 is a back plan view of the kit to open a hole for a golf tee of FIG. 1;

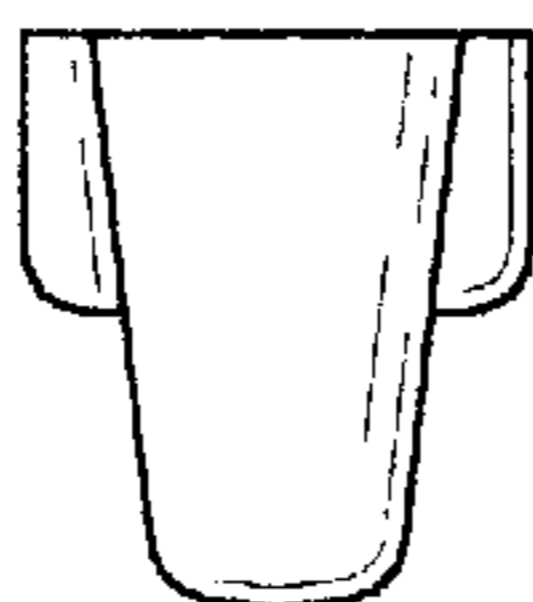
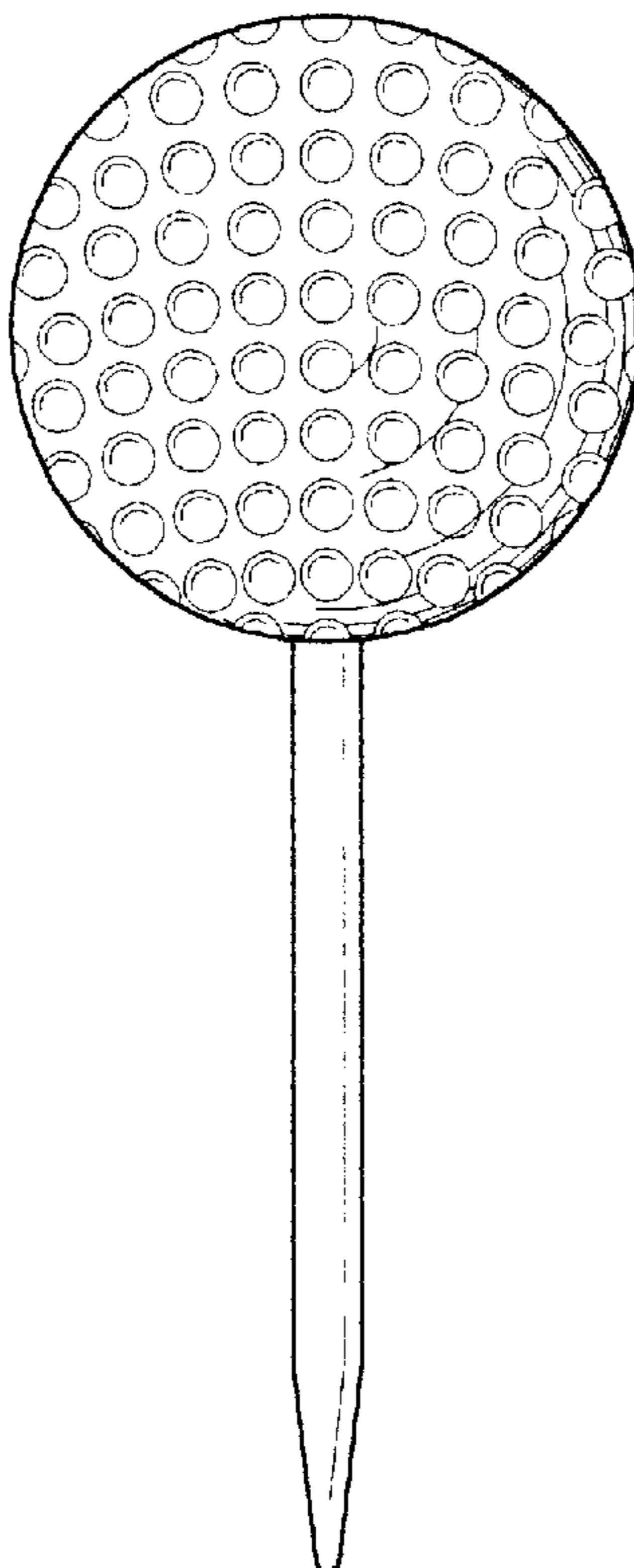
FIG. 3 is a left side plan view of the kit to open a hole for a golf tee of FIG. 1;

FIG. 4 is a right side plan view of the kit to open a hole for a golf tee of FIG. 1;

FIG. 5 is a top plan view of the kit to open a hole for a golf tee of FIG. 1; and,

FIG. 6 is a bottom plan view of the kit to open a hole for a golf tee of FIG. 1.

1 Claim, 3 Drawing Sheets



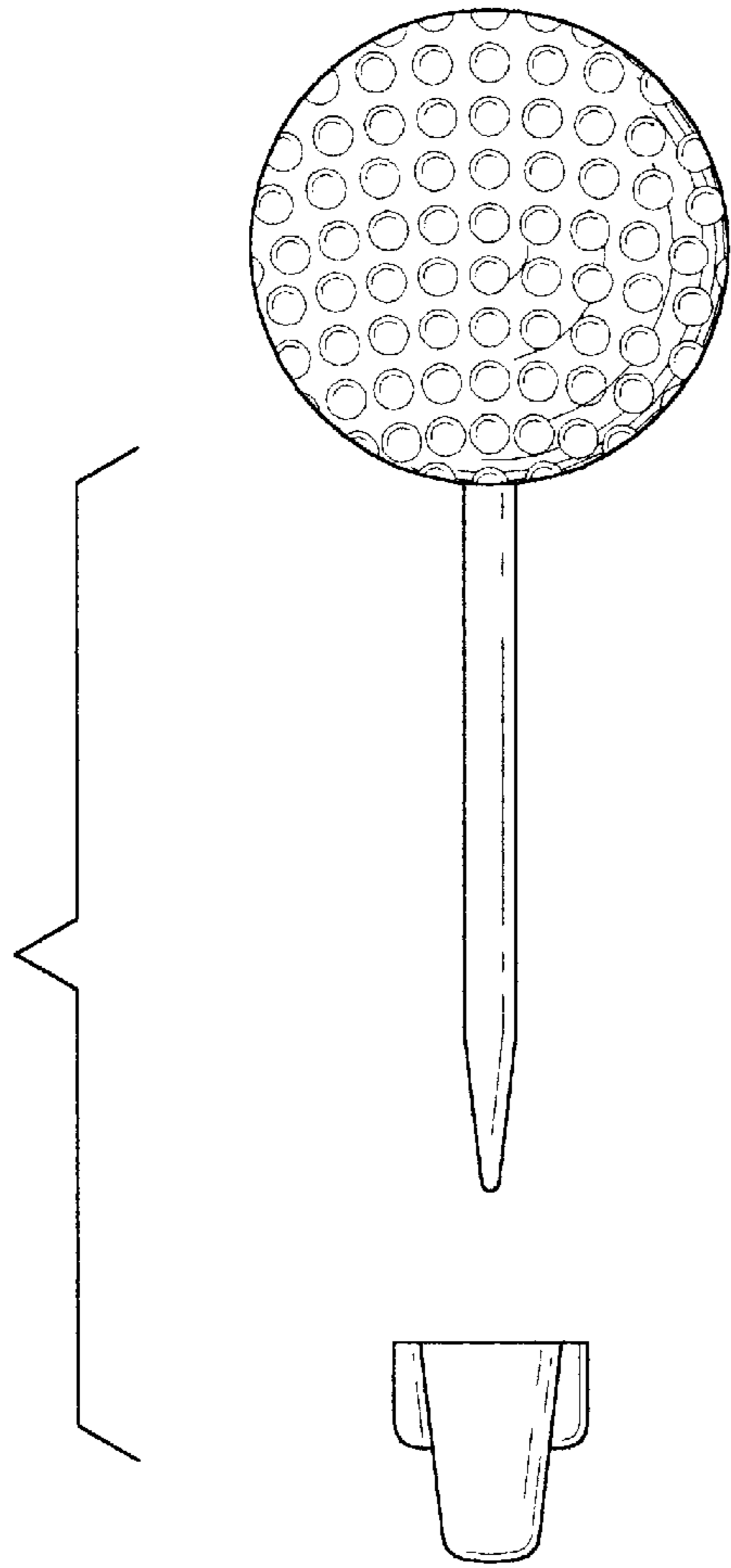


Fig. 1

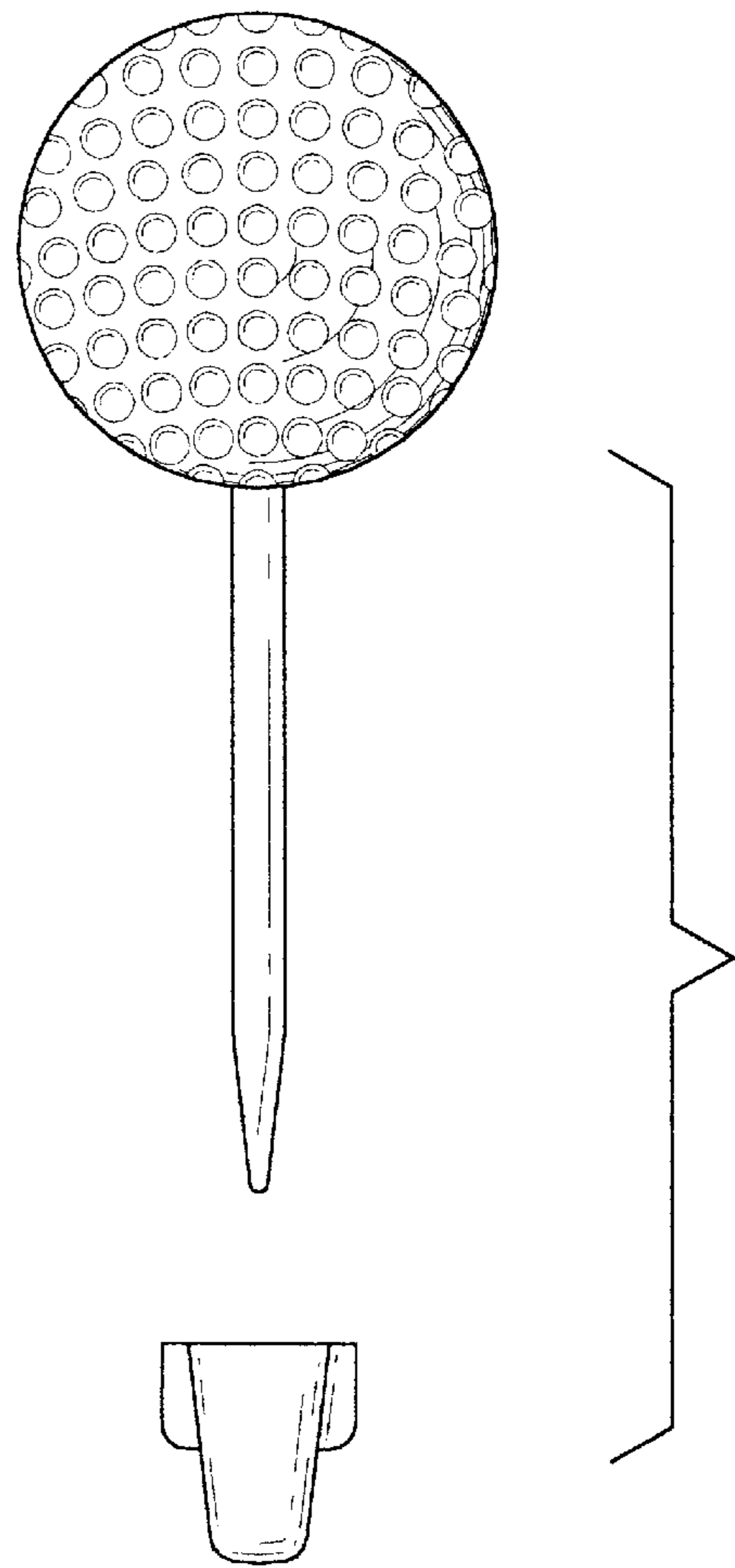


Fig. 2

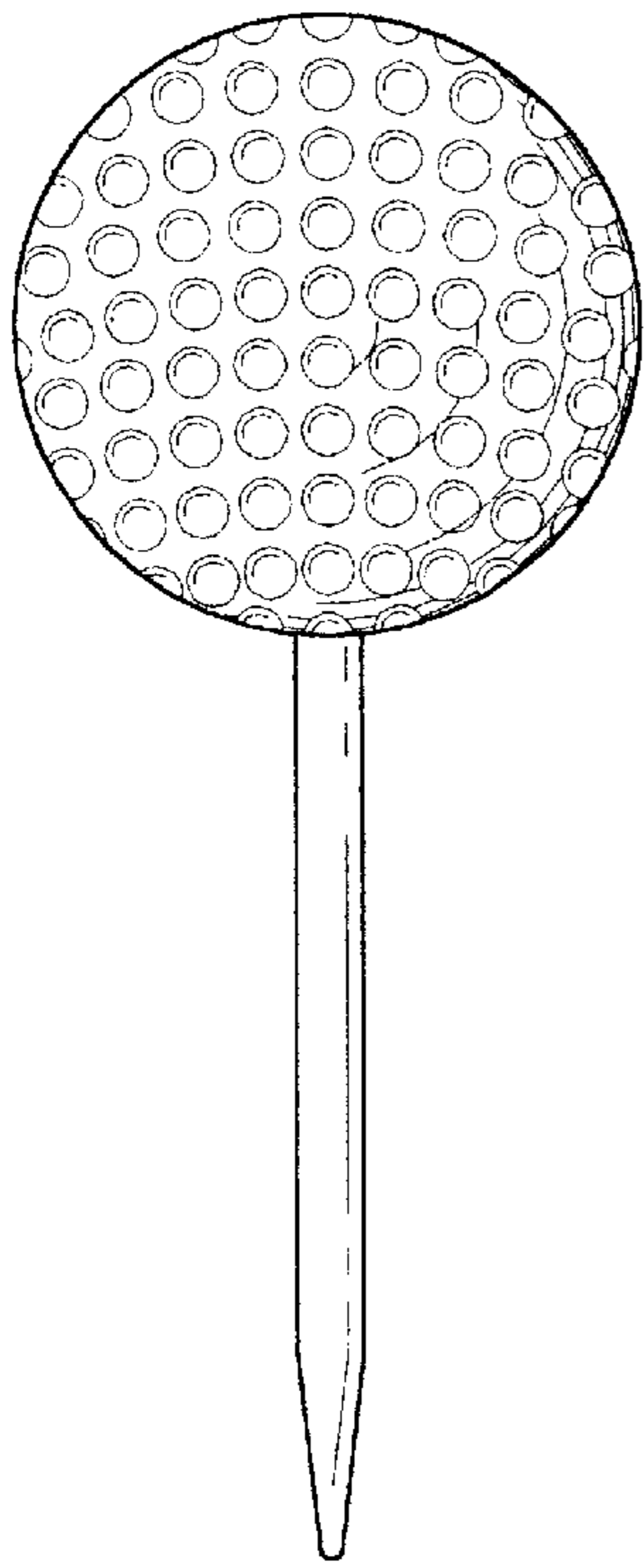


Fig. 3

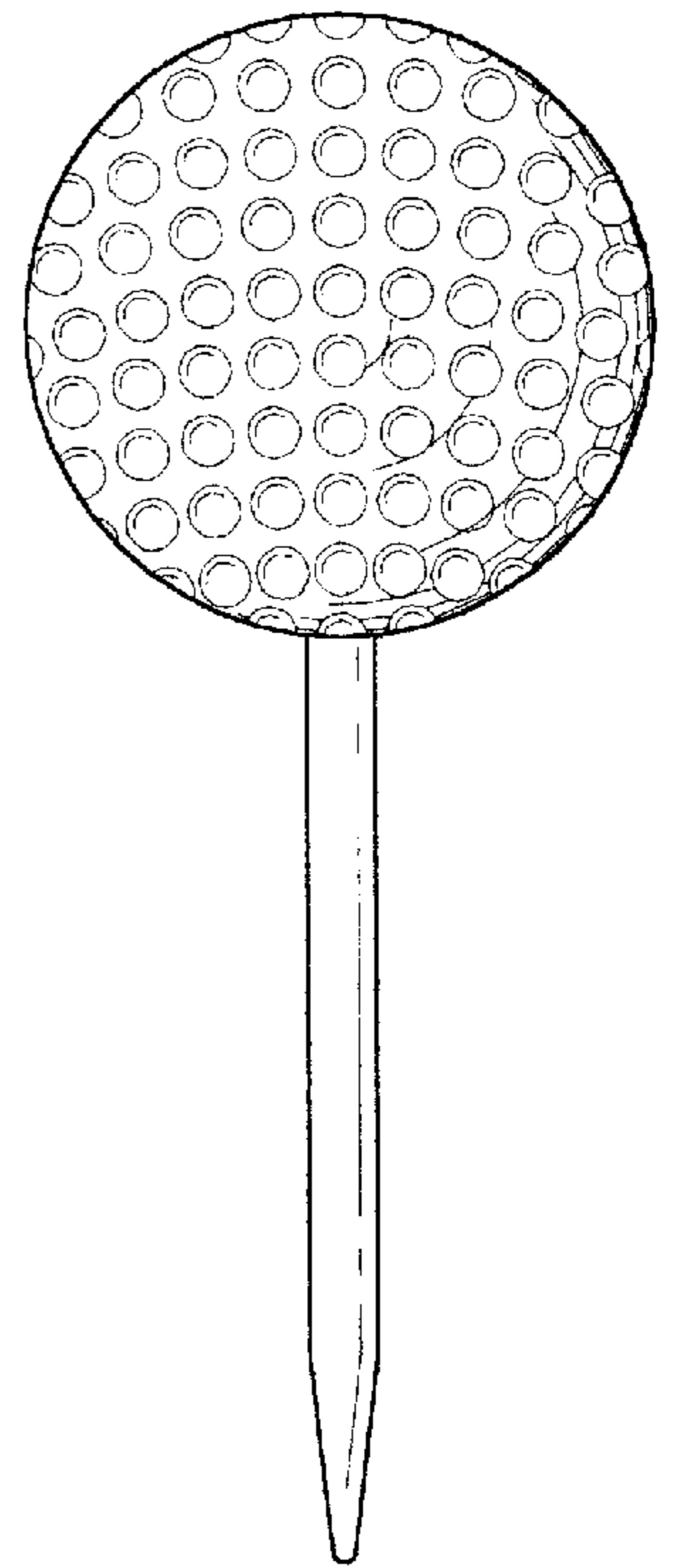
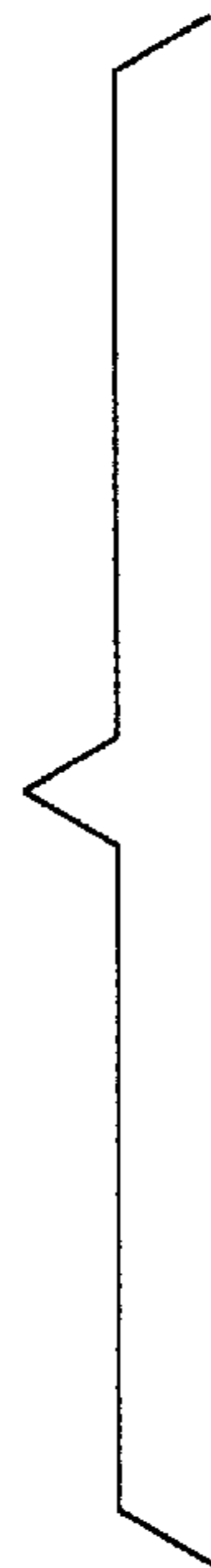
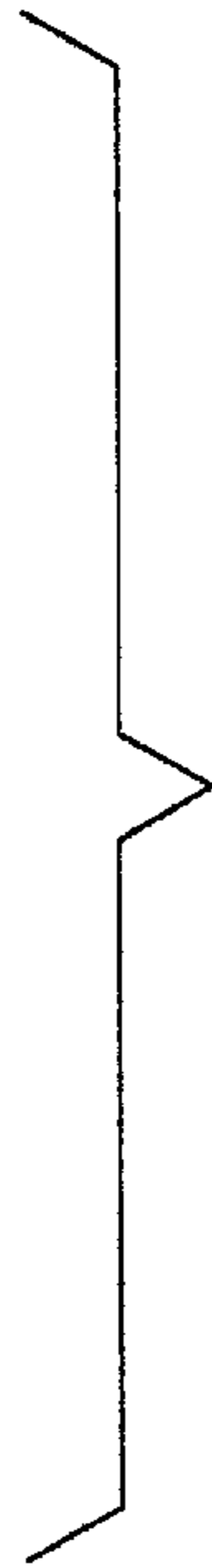
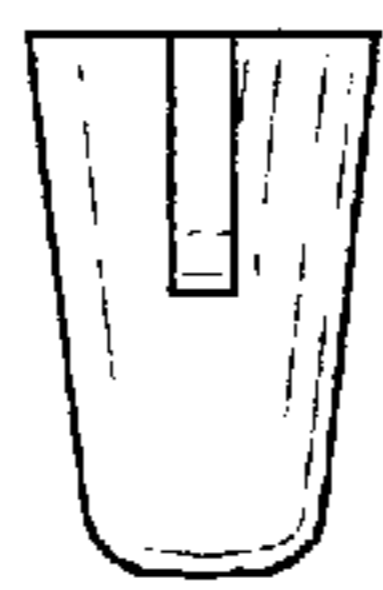


Fig. 4

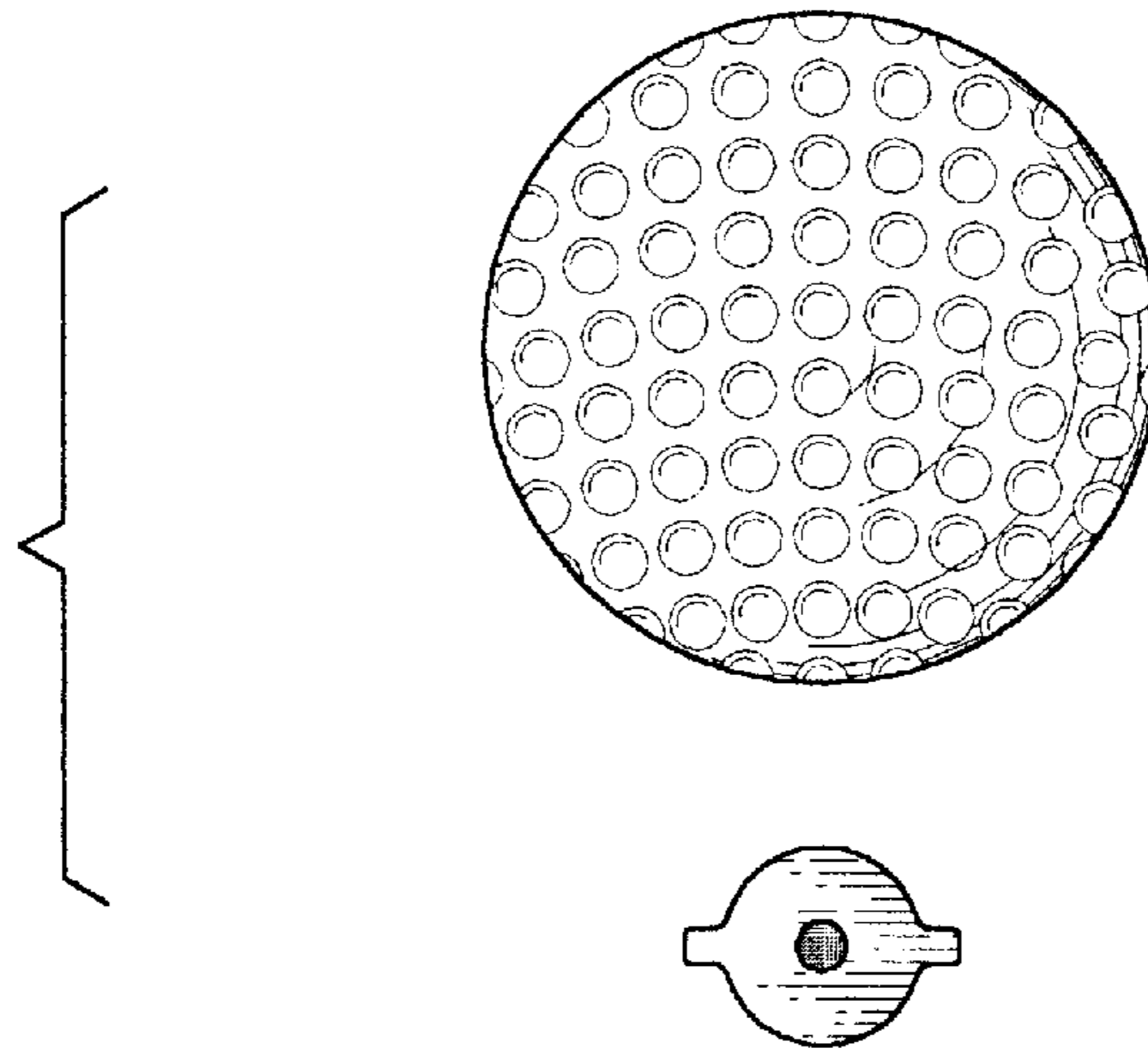


Fig. 5

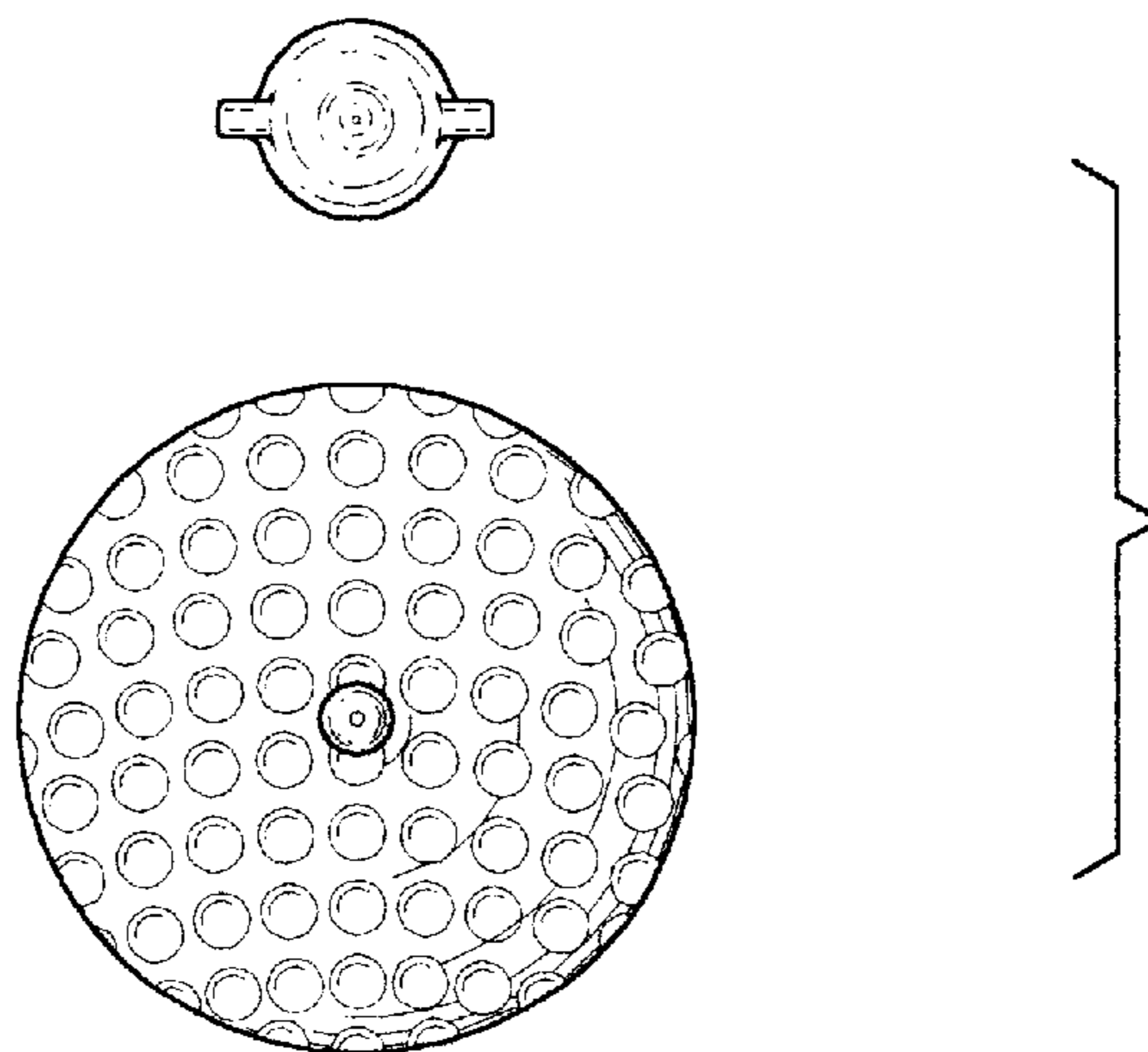


Fig. 6