



US00D398358S

United States Patent [19] Jeffreys

[11] **Patent Number: Des. 398,358**

[45] **Date of Patent: **Sep. 15, 1998**

[54] **ALL TERRAIN SKATEBOARD**

[76] Inventor: **Hugh Jeffreys**, 321 Acebo La., #A, San Clemente, Calif. 92672

[**] Term: **14 Years**

[21] Appl. No.: **67,500**

[22] Filed: **Mar. 4, 1997**

[51] **LOC (6) Cl. 21-02**

[52] **U.S. Cl. D21/227**

[58] **Field of Search D21/224-231, D21/71, 81; 280/87.01, 87.041, 87.042, 11.19**

4,811,971 3/1989 Phillips D21/227
 5,474,314 12/1995 Lehman 280/87.042
 5,645,291 7/1997 Ramage 280/87.042

Primary Examiner—Raphael Barkai
Attorney, Agent, or Firm—Stetina Brunda Garred & Brucker

[57] **CLAIM**

The ornamental design for an all terrain skateboard, as shown and described.

DESCRIPTION

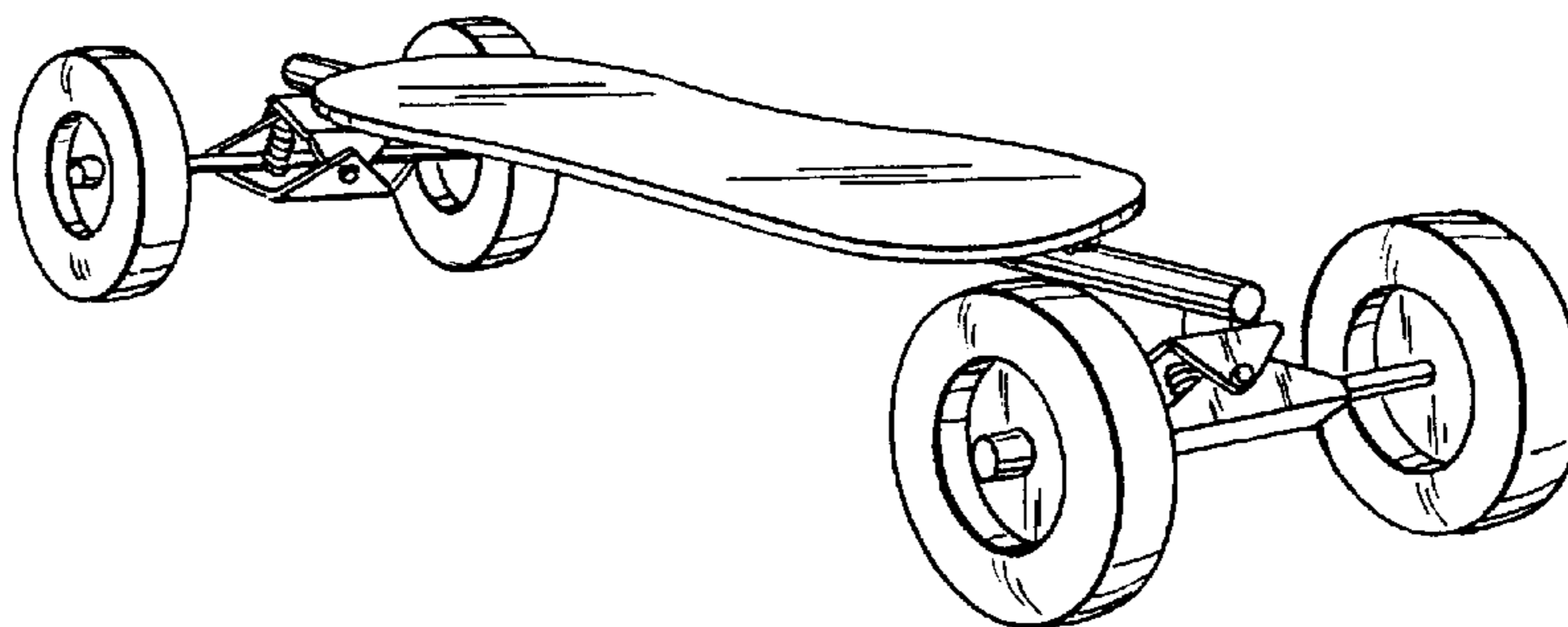
FIG. 1 is a front perspective view of the all terrain skateboard of the present invention showing my new design; FIG. 2 is a front view thereof, the rear view being identical; FIG. 3 is a top view thereof; FIG. 4 is a side view thereof, the side opposite being identical; and, FIG. 5 is a bottom perspective view thereof.

[56] **References Cited**

U.S. PATENT DOCUMENTS

D. 302,993 8/1989 Heilig D21/227
 1,854,188 4/1932 Gregory D21/224
 4,681,333 7/1987 Rouge et al. 280/87.042

1 Claim, 1 Drawing Sheet



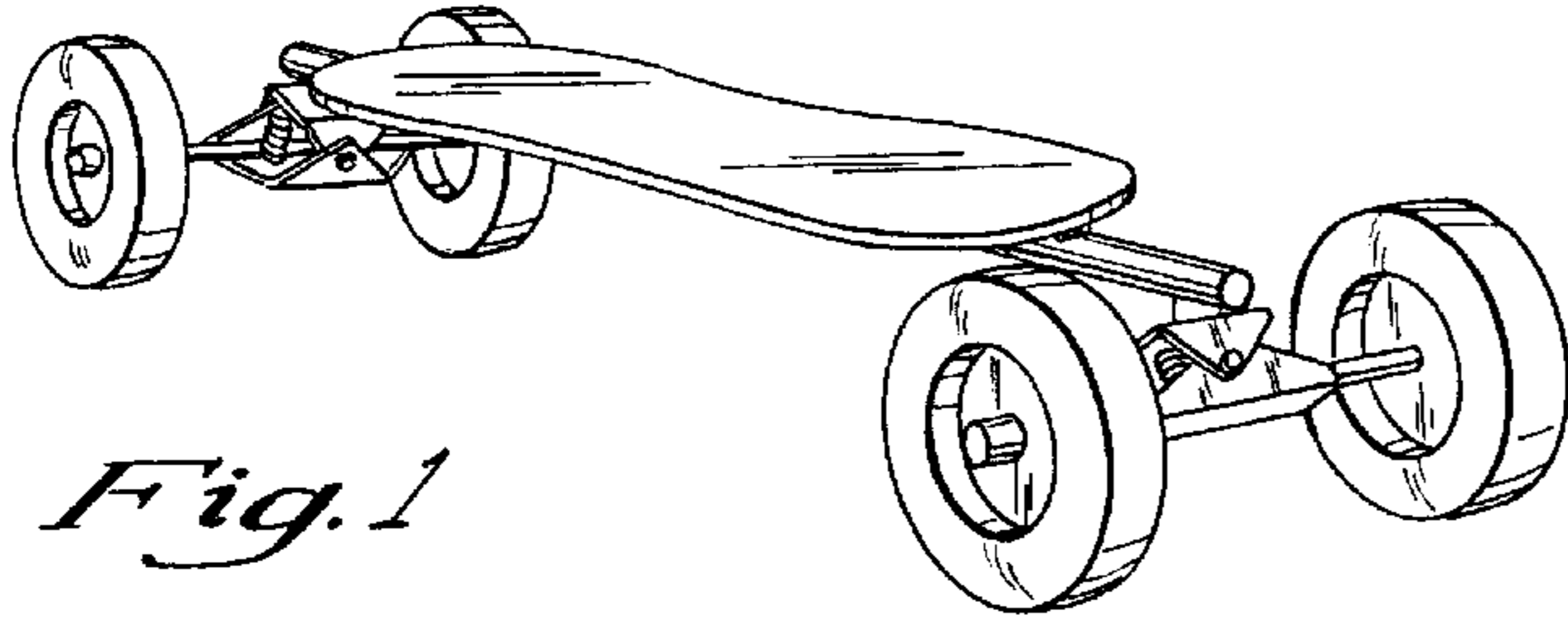


Fig. 1

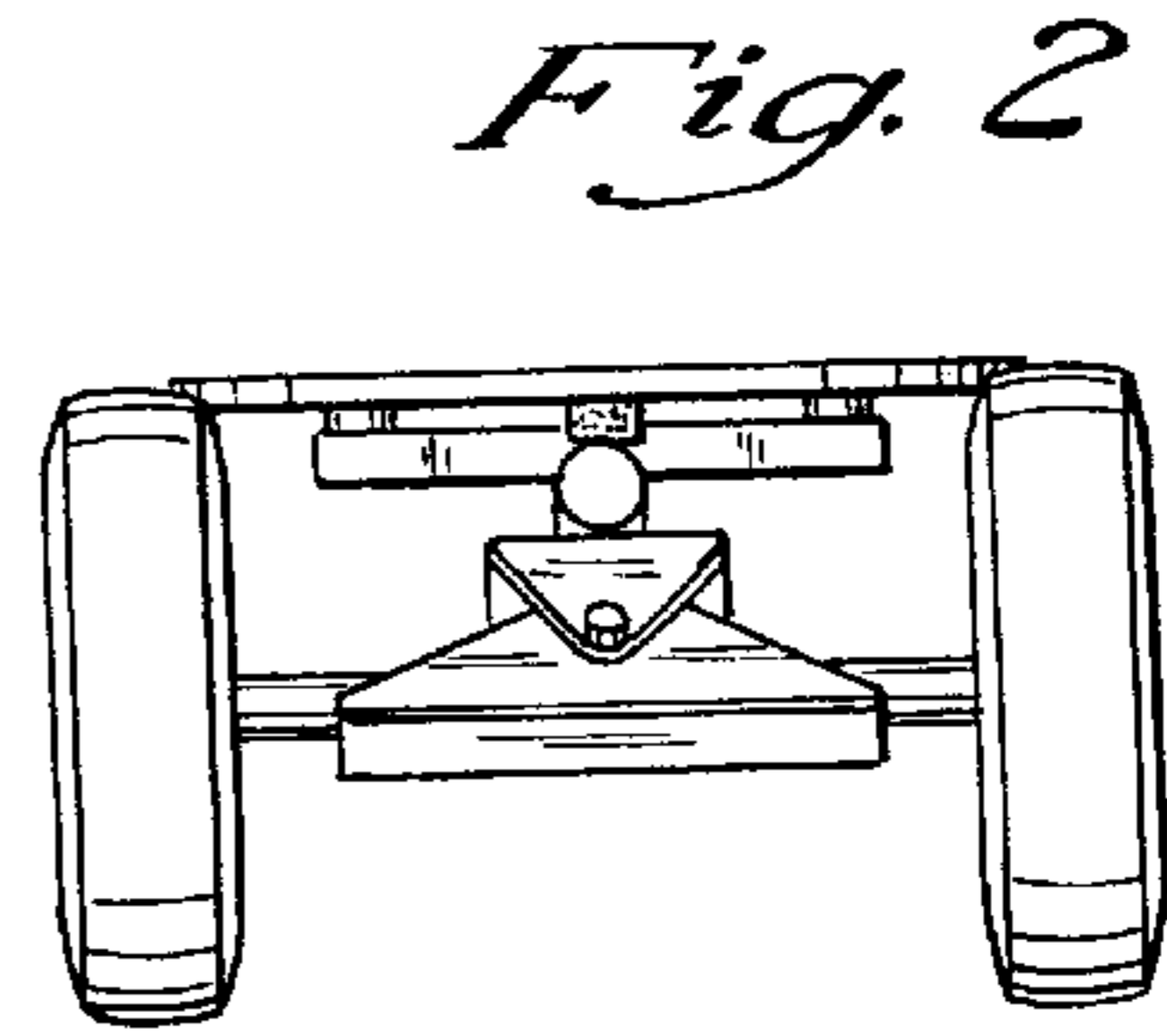


Fig. 2

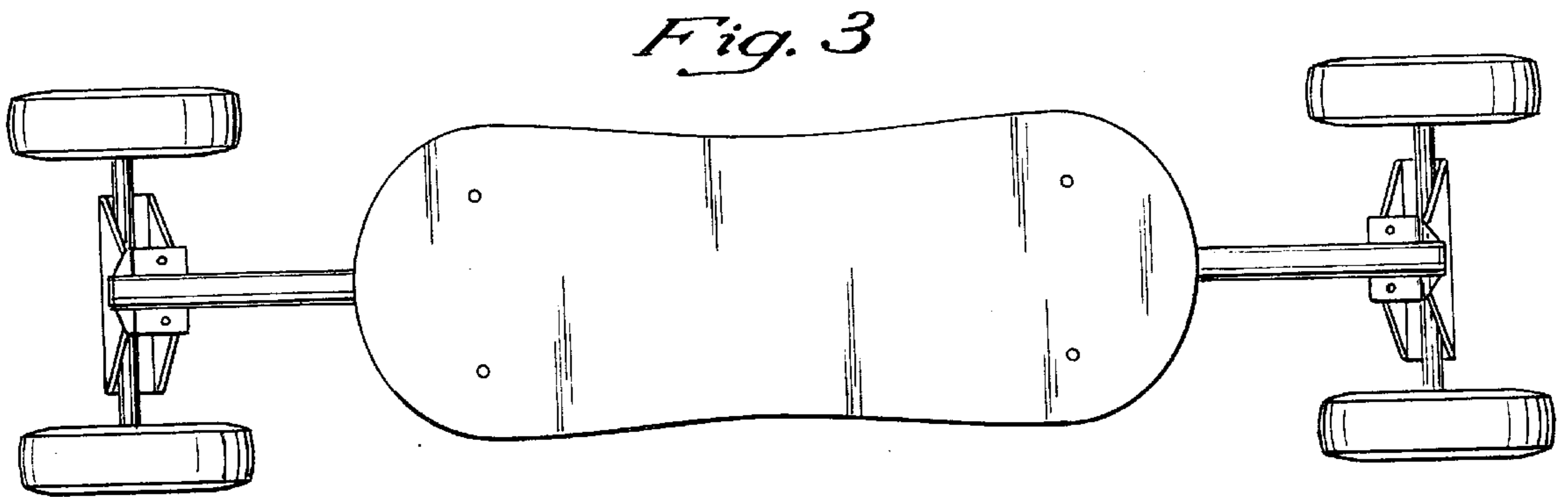


Fig. 3

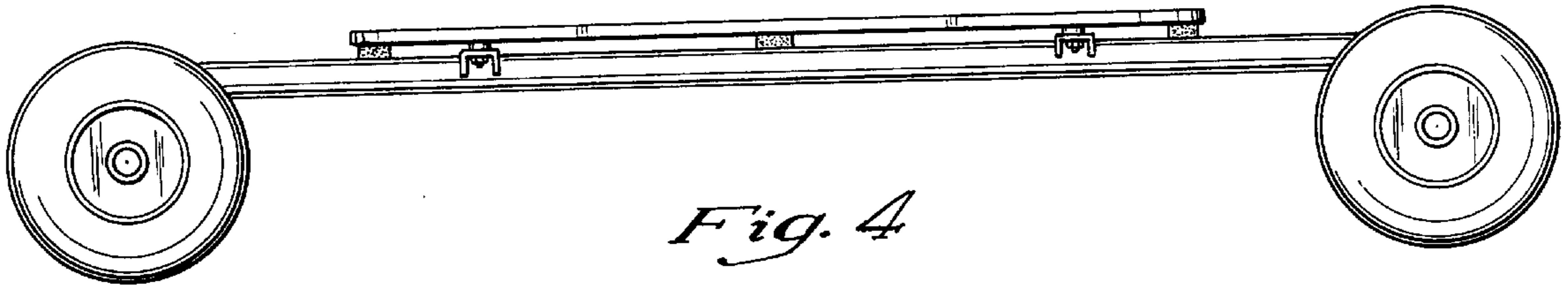


Fig. 4

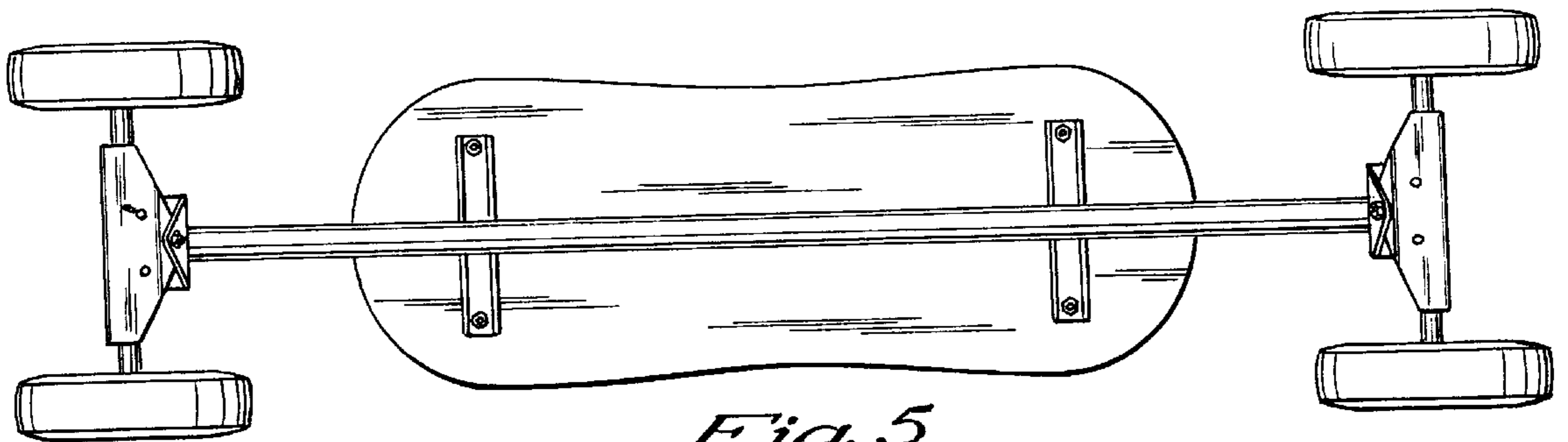


Fig. 5