



US00D398354S

United States Patent [19] Carter

[11] **Patent Number: Des. 398,354**

[45] **Date of Patent: **Sep. 15, 1998**

[54] **GOLF CLUB HEAD**

[76] Inventor: **Mark A. Carter**, 1717 Saxon Dr.,
Bedford, Tex. 76021

[**] Term: **14 Years**

[21] Appl. No.: **66,711**

[22] Filed: **Feb. 19, 1997**

[51] **LOC (6) Cl. 21-02**

[52] **U.S. Cl. D21/219; D21/217**

[58] **Field of Search D21/217-219;
473/251-256, 340, 341**

[56] **References Cited**

U.S. PATENT DOCUMENTS

D. 146,431	3/1947	Liolich .	
D. 225,118	11/1972	Susilovich	D21/217
D. 230,615	3/1974	Delgadillo .	
D. 234,961	4/1975	Swash .	
D. 350,581	9/1994	Boone .	
D. 351,443	10/1994	Caugh et al.	D21/219
D. 367,305	2/1996	Myers	D21/217
3,448,981	6/1969	Anweiler .	
4,746,124	5/1988	Comitz .	
4,872,683	10/1989	Doran et al. .	
5,340,106	8/1994	Ravaris	473/340 X
5,423,544	6/1995	Ichikawa .	

Primary Examiner—Sandra L. Morris
Assistant Examiner—Mitchell I. Siegel
Attorney, Agent, or Firm—Akin, Gump, Strauss, Hauer &
Feld, L.L.P.

[57] **CLAIM**

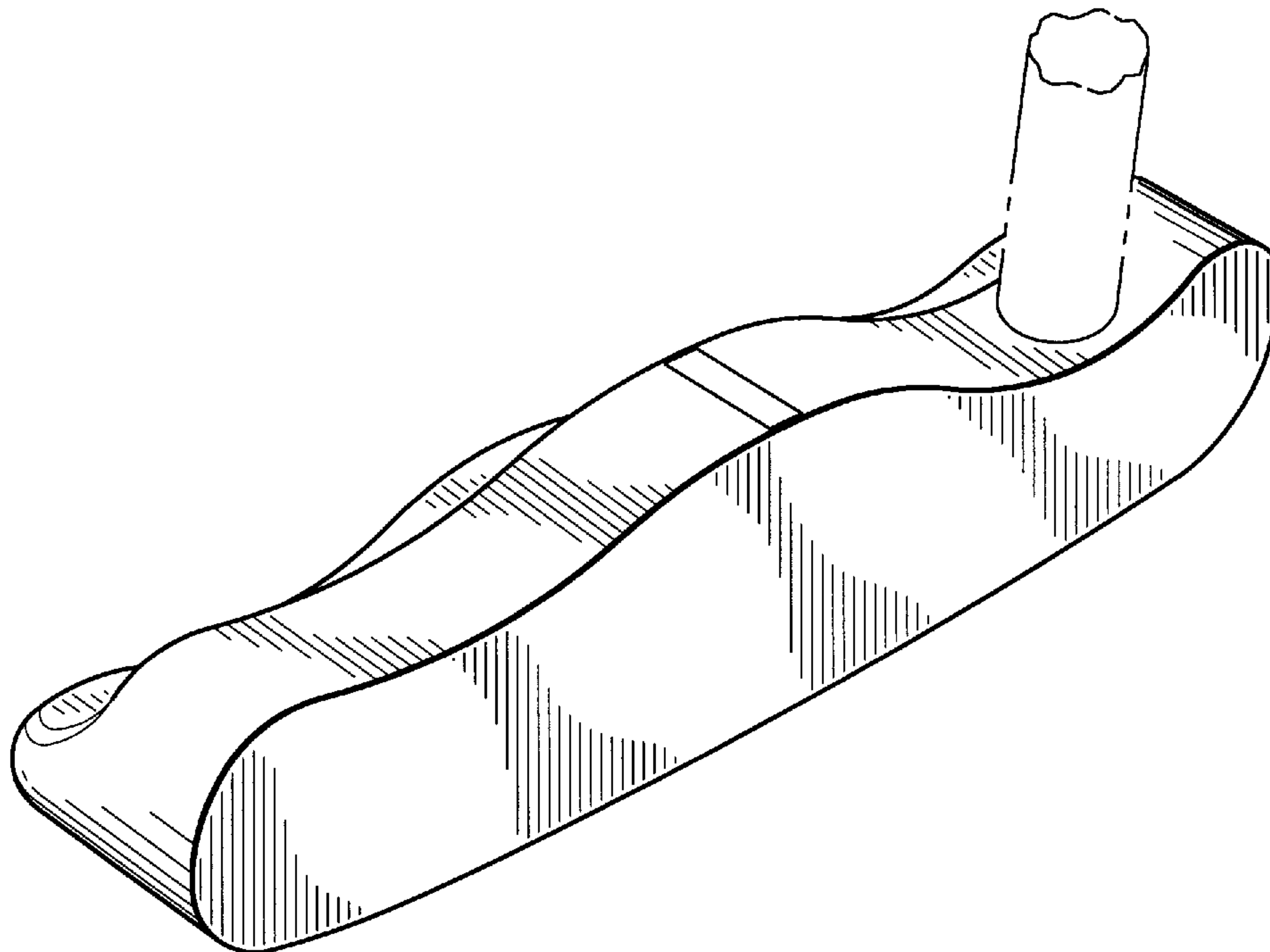
The ornamental design for a golf club head, as shown and described.

DESCRIPTION

FIG. 1 is a perspective view of the golf club head showing my new design;
FIG. 2 is a front elevational view thereof;
FIG. 3 is a side elevational view taken from the left side thereof;
FIG. 4 is a side elevational view taken from the right side thereof;
FIG. 5 is a rear elevational view thereof;
FIG. 6 is a top plan view thereof;
FIG. 7 is a bottom plan view thereof;
FIG. 8 is a perspective view of a second embodiment of the golf club had as disclosed in FIG. 1;
FIG. 9 is a front elevational view of the golf club head shown in FIG. 8;
FIG. 10 is a perspective view of a third embodiment of the golf club head as disclosed in FIG. 1; and,
FIG. 11 is a front elevational view of the golf club head shown in FIG. 10.

The undisclosed sides of the second and third embodiments are identical to those disclosed in the first embodiment. The broken line showing of a fragmented shaft is for illustrative purposes only and forms no part of the claimed design.

1 Claim, 4 Drawing Sheets



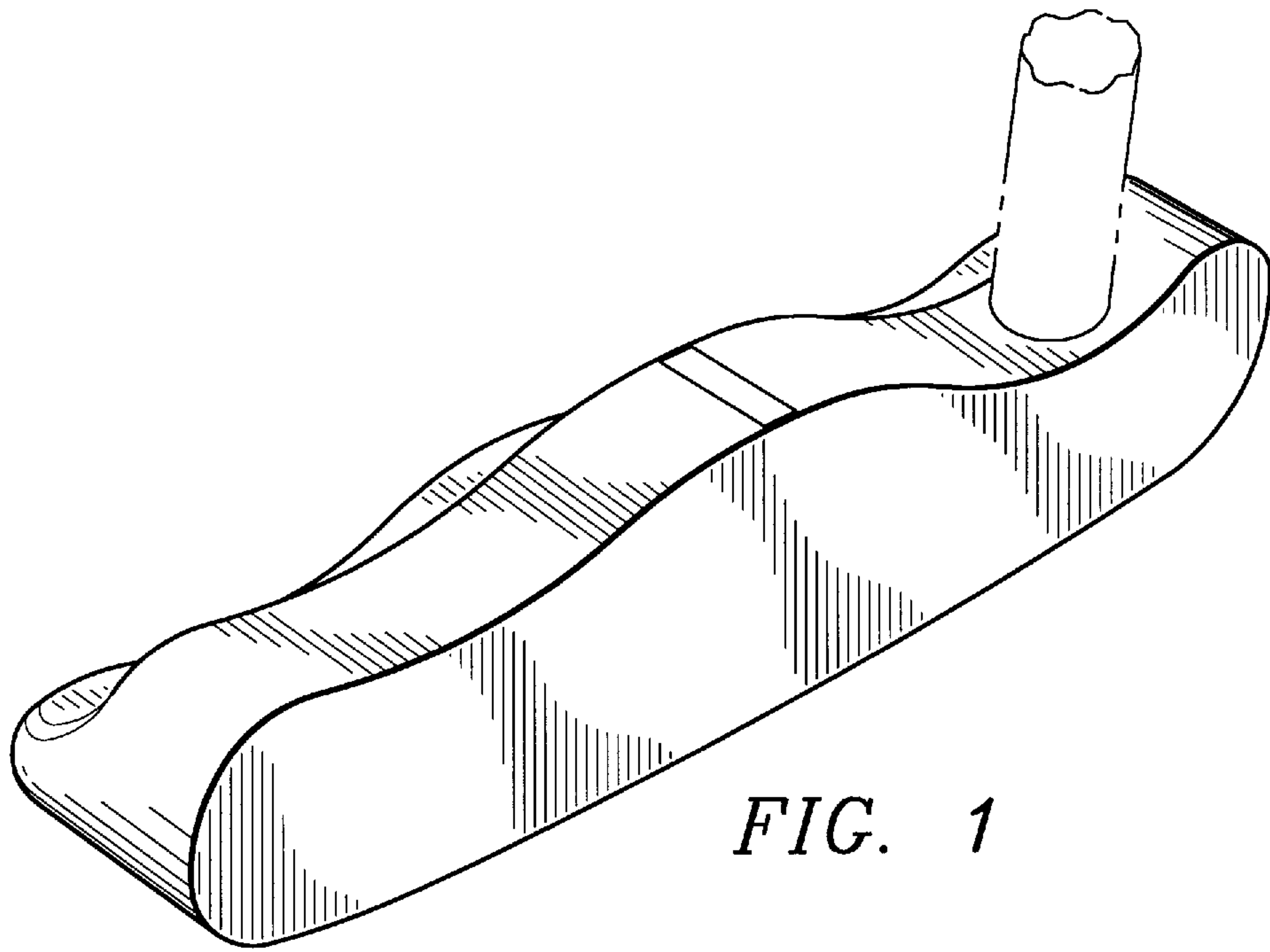


FIG. 1

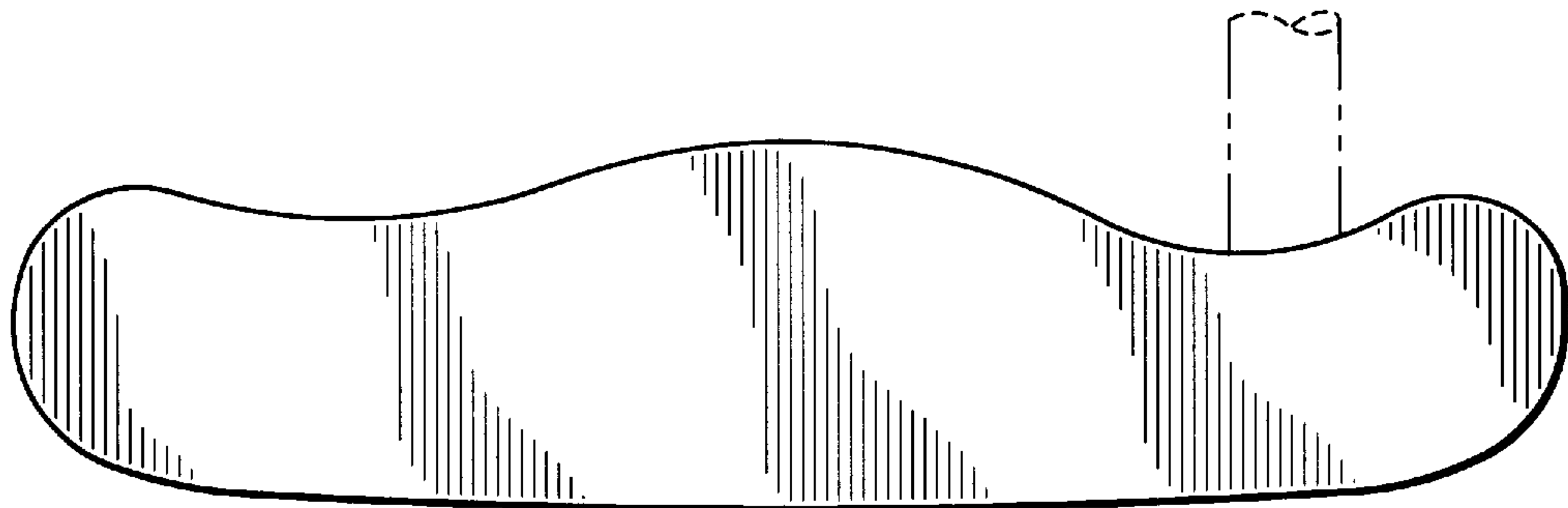


FIG. 2

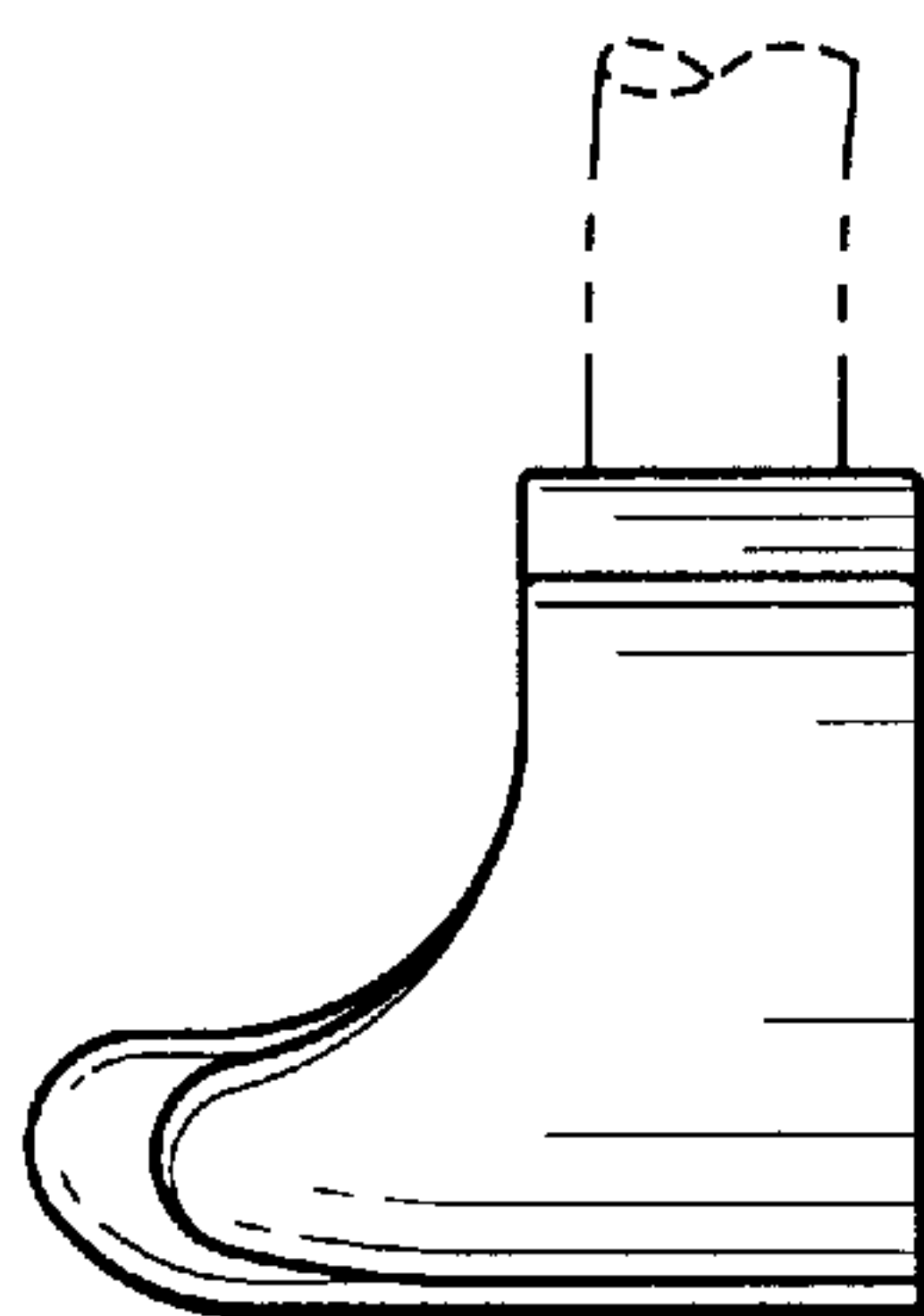


FIG. 3

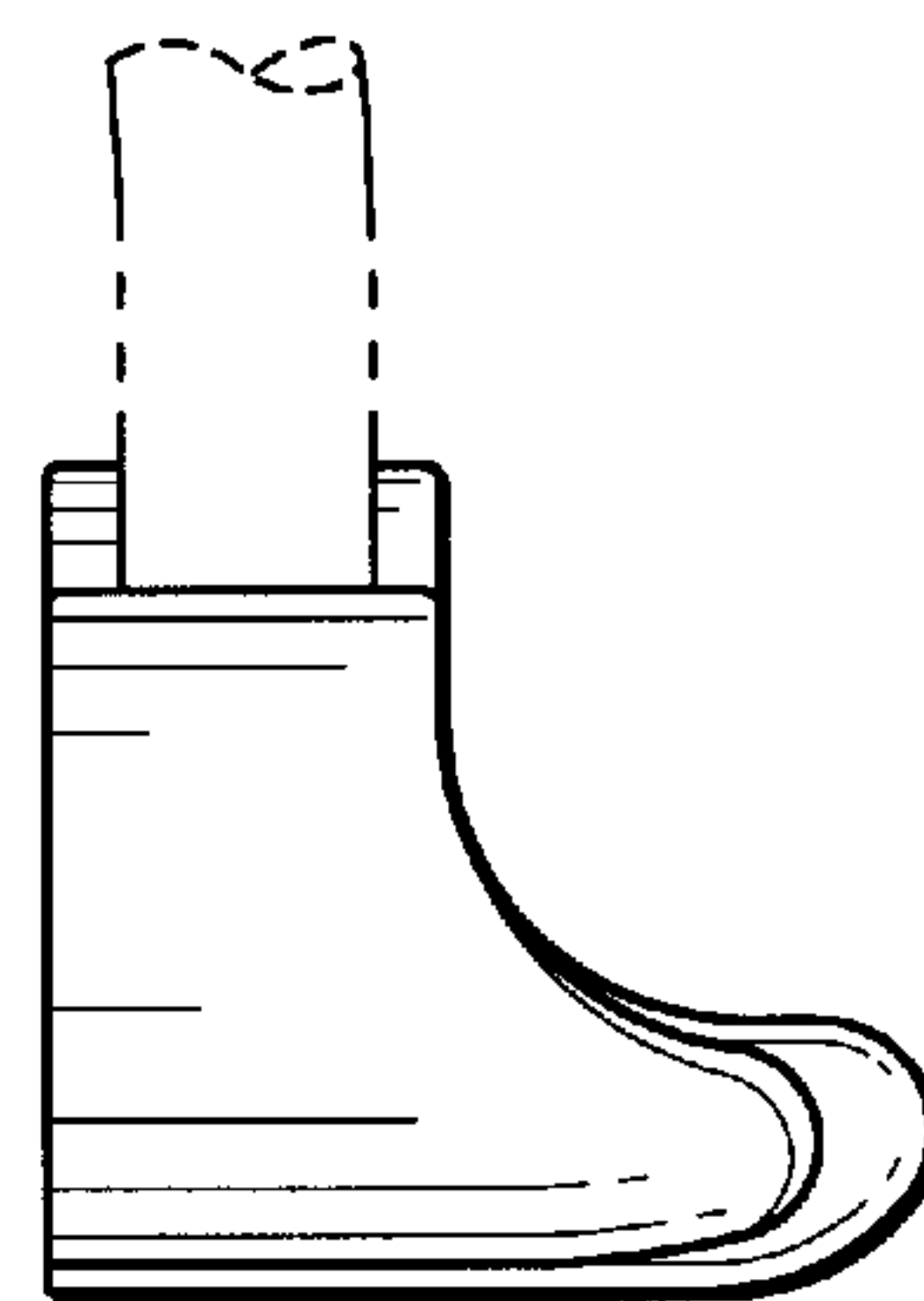


FIG. 4

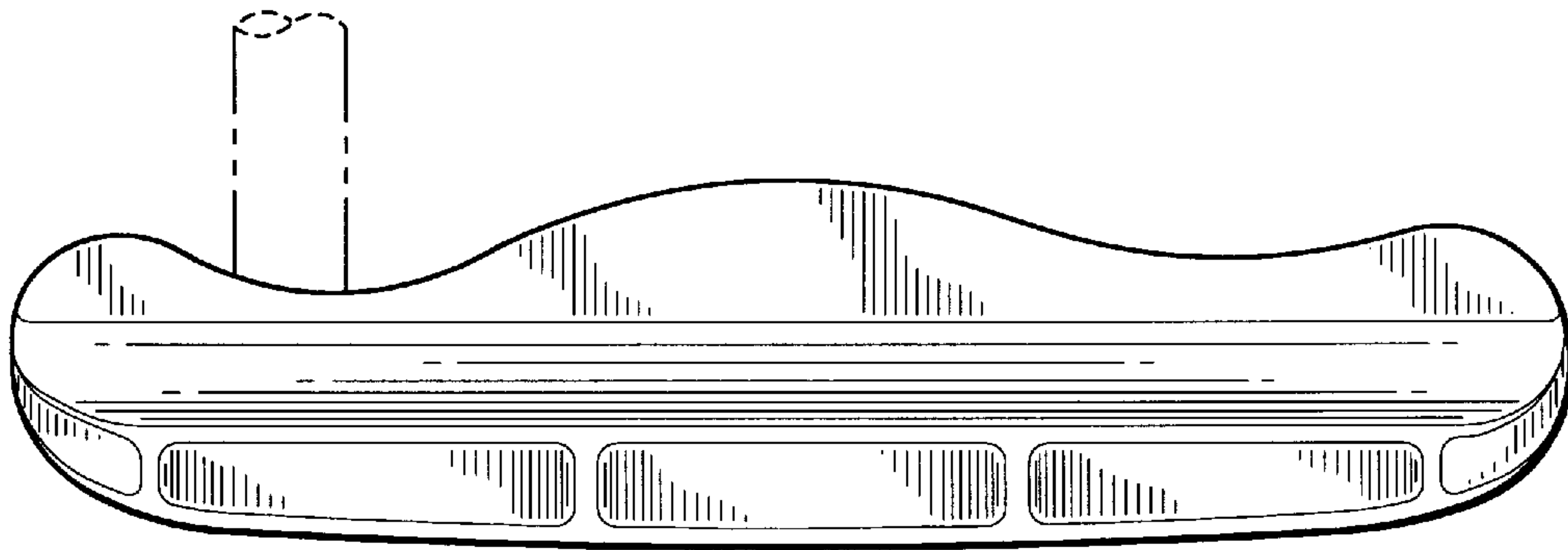


FIG. 5

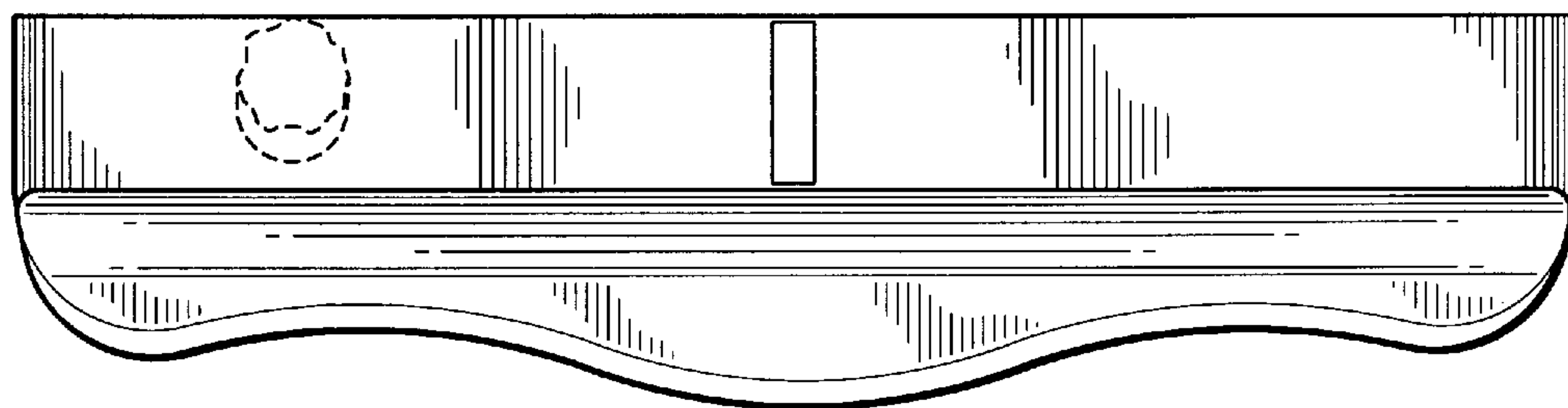


FIG. 6

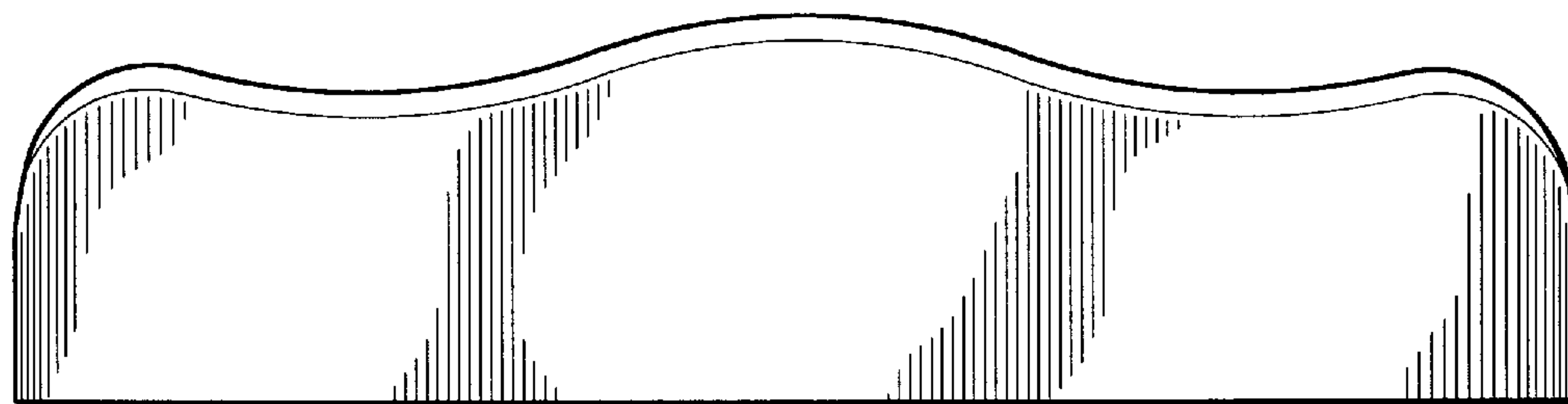


FIG. 7

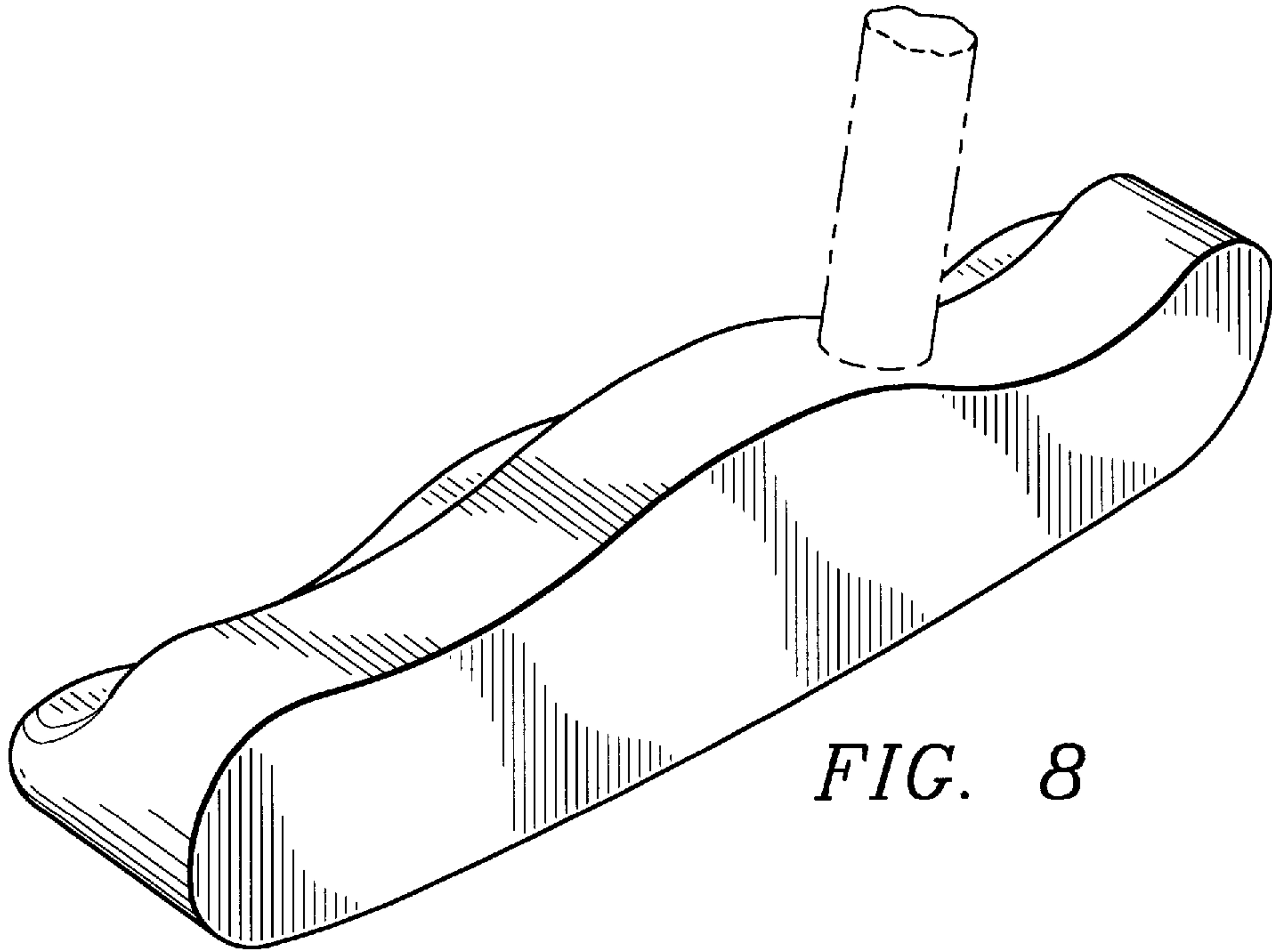


FIG. 8

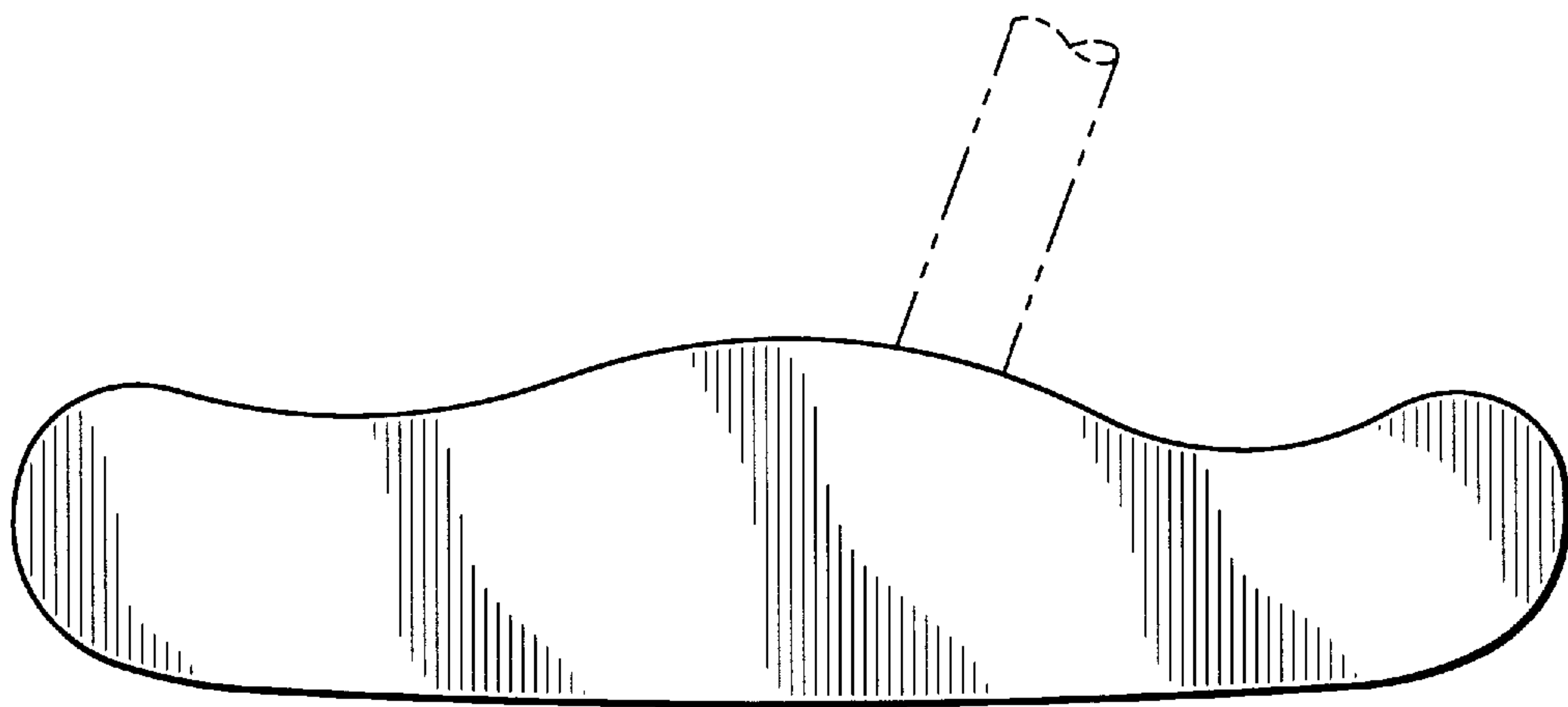


FIG. 9

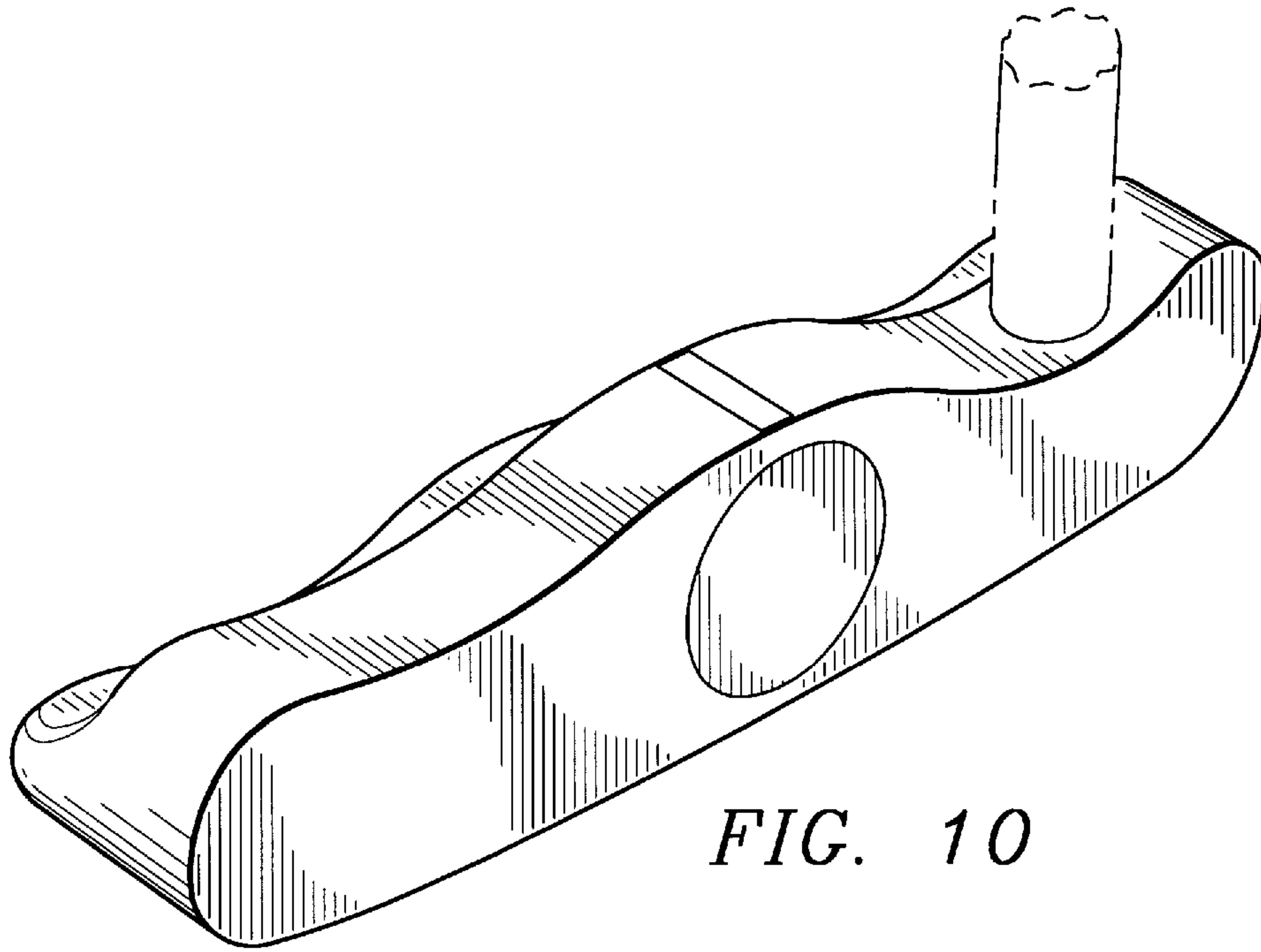


FIG. 10

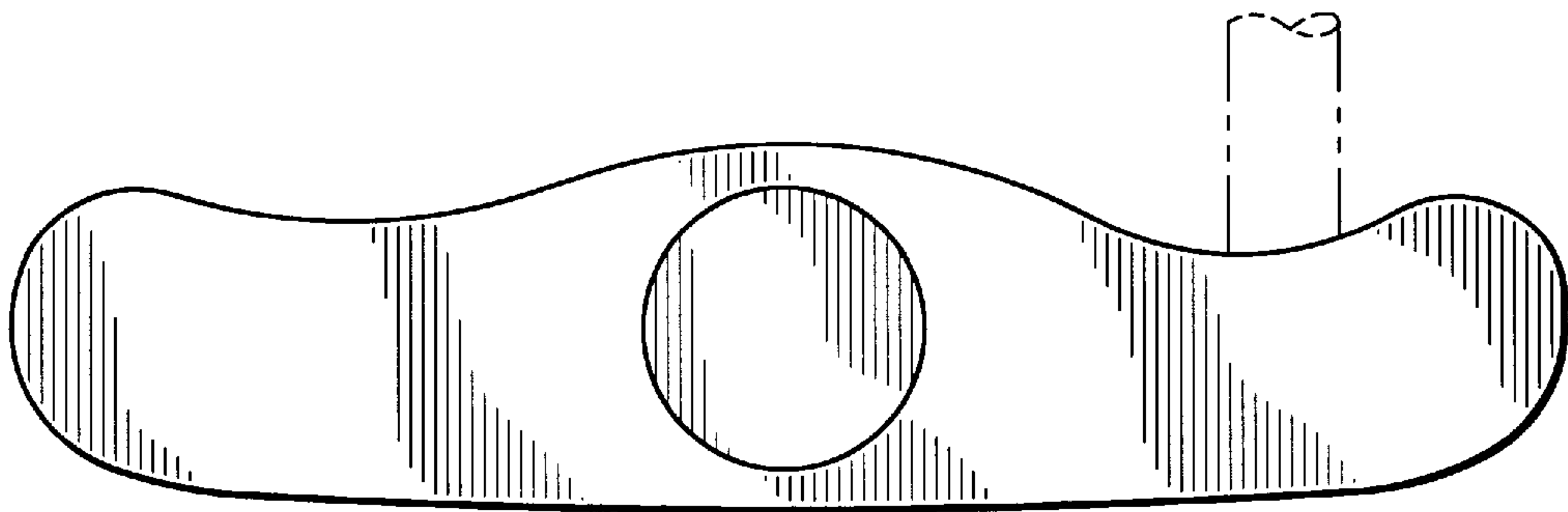


FIG. 11