



US00D398353S

# United States Patent [19]

[11] **Patent Number: Des. 398,353**

**Wooten**

[45] **Date of Patent: \*\*Sep. 15, 1998**

[54] **GOLF PUTTER HEAD**

[76] Inventor: **Wayne R. Wooten**, Rte. 1, Box 670, Hazlehurst, Ga. 31539

[\*\*] Term: **14 Years**

[21] Appl. No.: **66,324**

[22] Filed: **Feb. 11, 1997**

[51] **LOC (6) Cl. .... 21-02**

[52] **U.S. Cl. .... D21/219**

[58] **Field of Search .... D21/217-219; 473/251-256, 340, 341**

[56] **References Cited**

**U.S. PATENT DOCUMENTS**

D. 249,082	8/1978	McCreary	.....	D21/217
D. 350,998	9/1994	Wooten	.....	D21/217
D. 381,383	7/1997	Brett	.....	D21/219
5,489,097	2/1996	Simmons	.....	473/340

**OTHER PUBLICATIONS**

Golf World; p. 22; "The Navigator" putter, middle left of page, Sep. 1978.

*Primary Examiner*—Sandra L. Morris  
*Assistant Examiner*—Mitchell I. Siegel  
*Attorney, Agent, or Firm*—Arthur G. Yeager

[57] **CLAIM**

The ornamental design of a golf putter head, as shown and described.

**DESCRIPTION**

FIG. 1 is a rear perspective view of a golf putter head showing my new design;

FIG. 2 is a rear elevational view thereof;

FIG. 3 is a front elevational view thereof;

FIG. 4 is a left side elevational view thereof, the right side elevational view being the mirror image thereof;

FIG. 5 is a top plan view thereof; and,

FIG. 6 is a bottom plan view thereof.

The broken line showing of a fragmented shaft is for illustrative purposes only and forms no part of the claimed design.

**1 Claim, 2 Drawing Sheets**

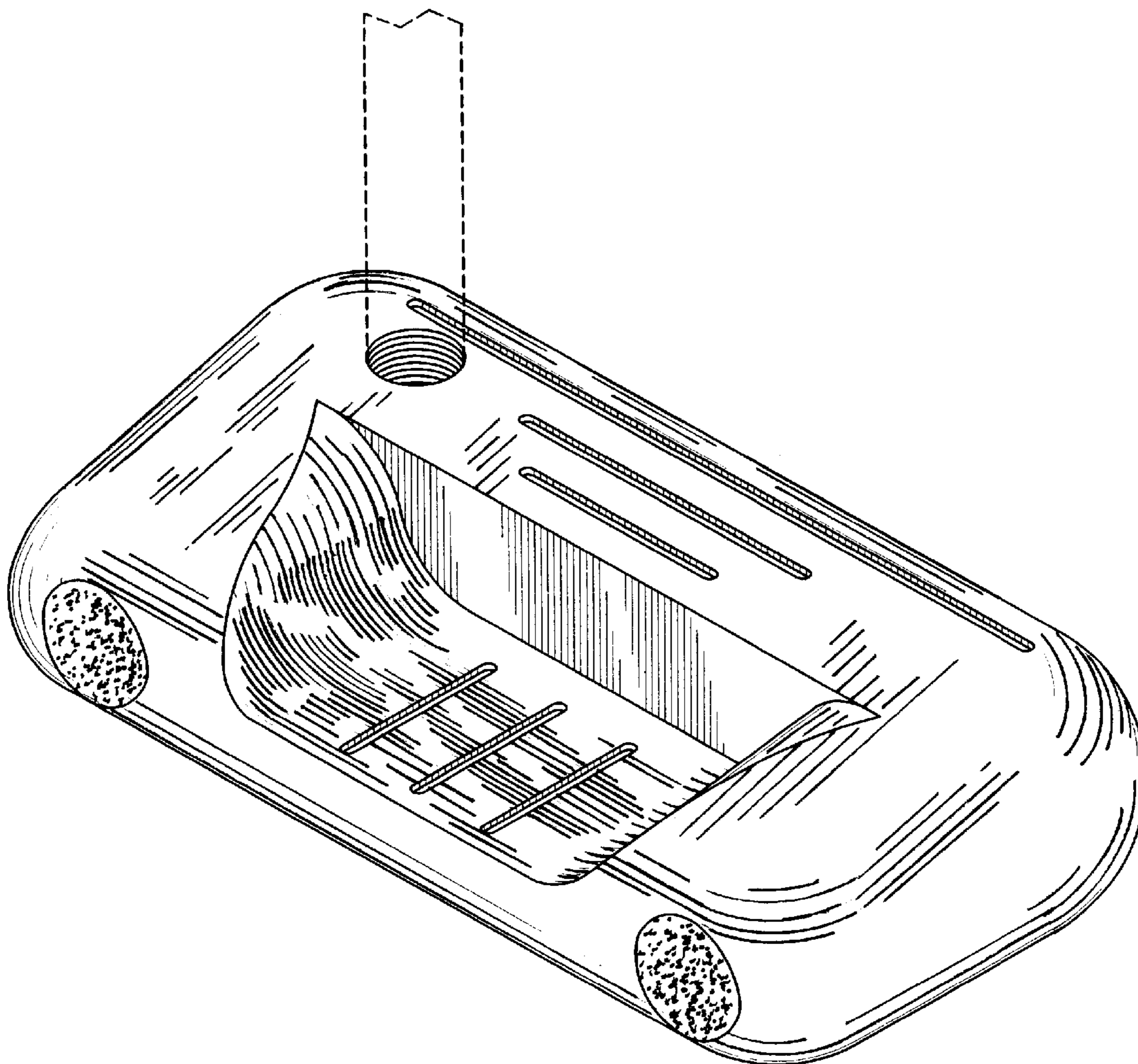


FIG. 1

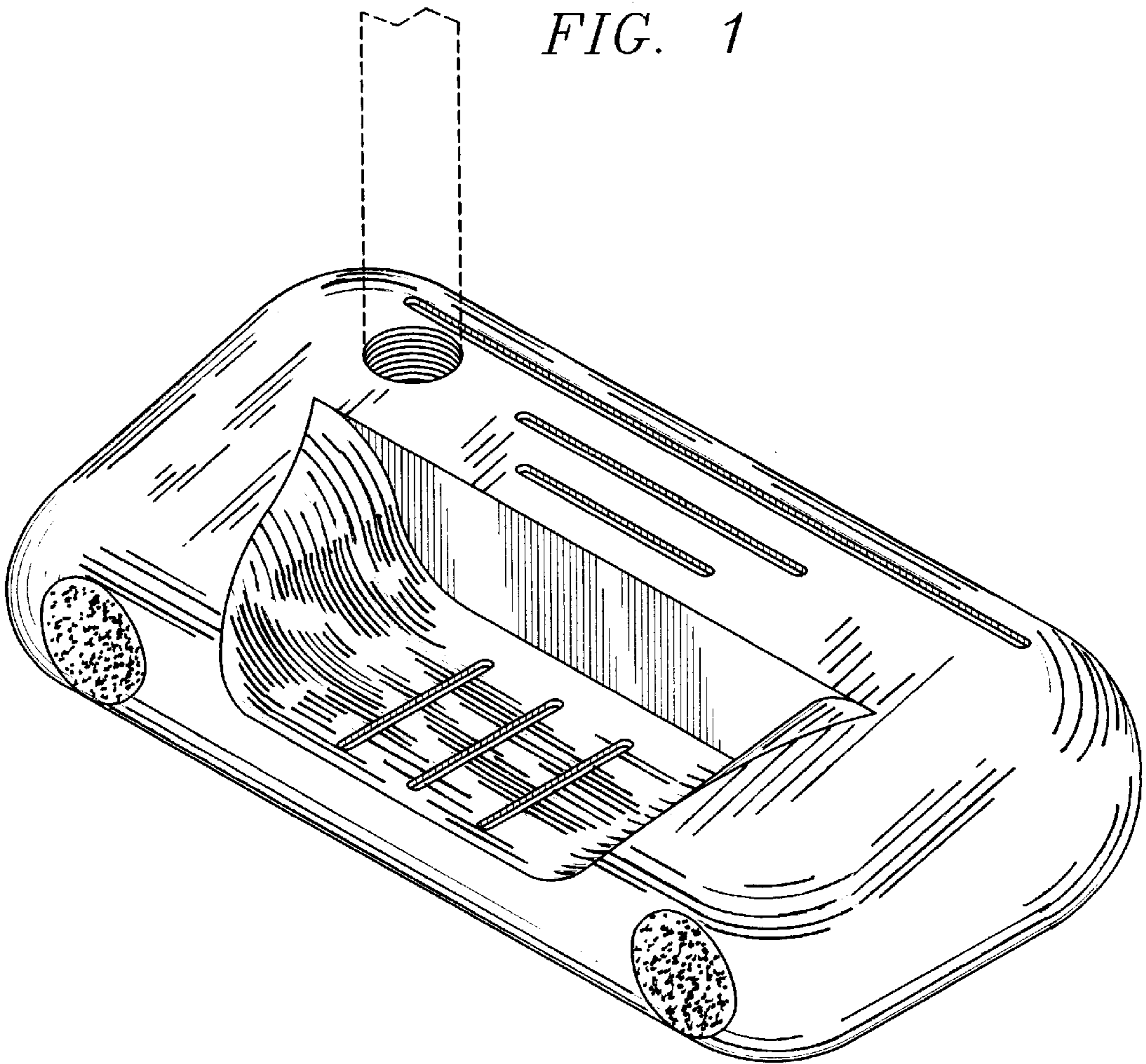


FIG. 2

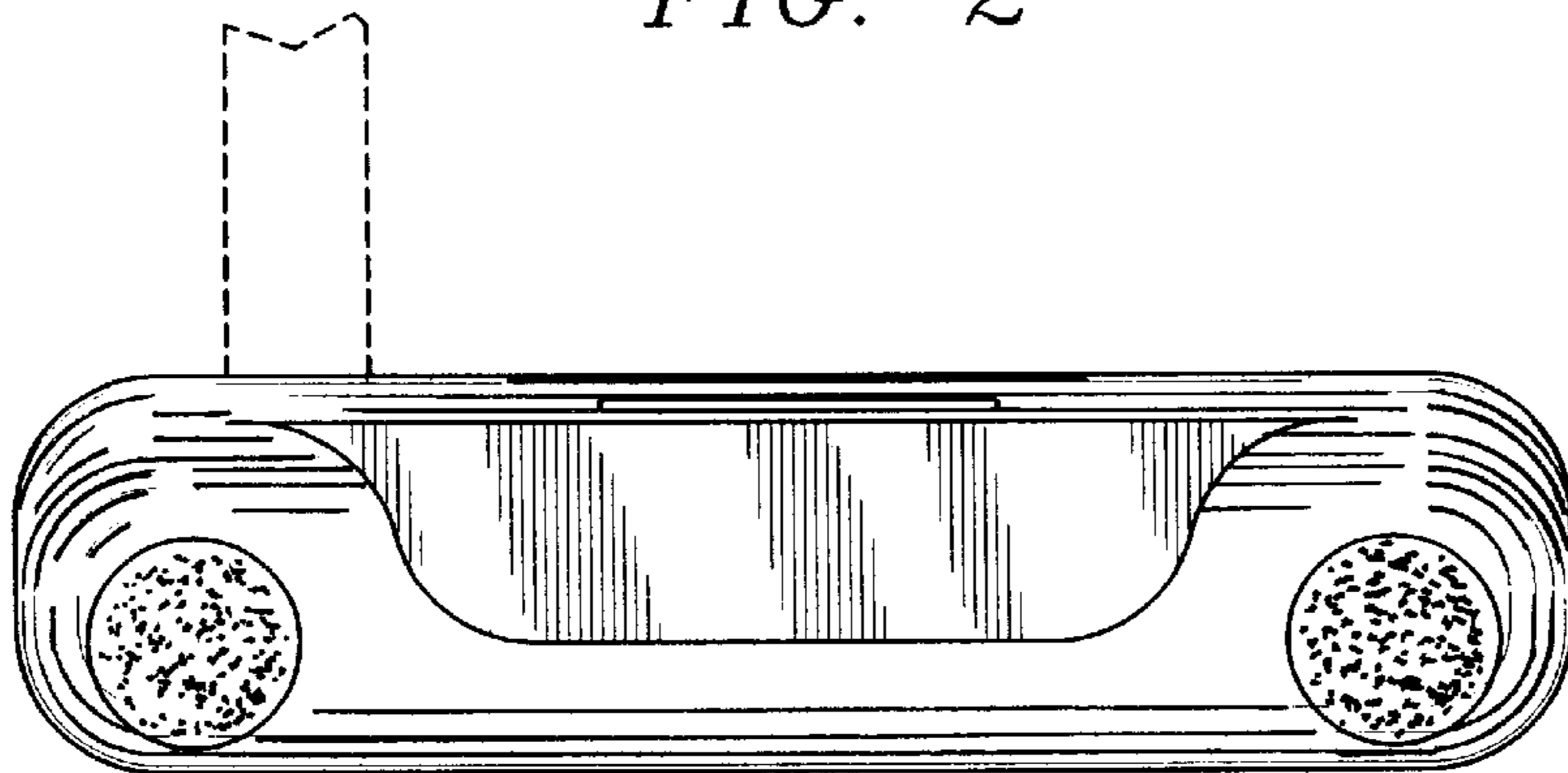


FIG. 3

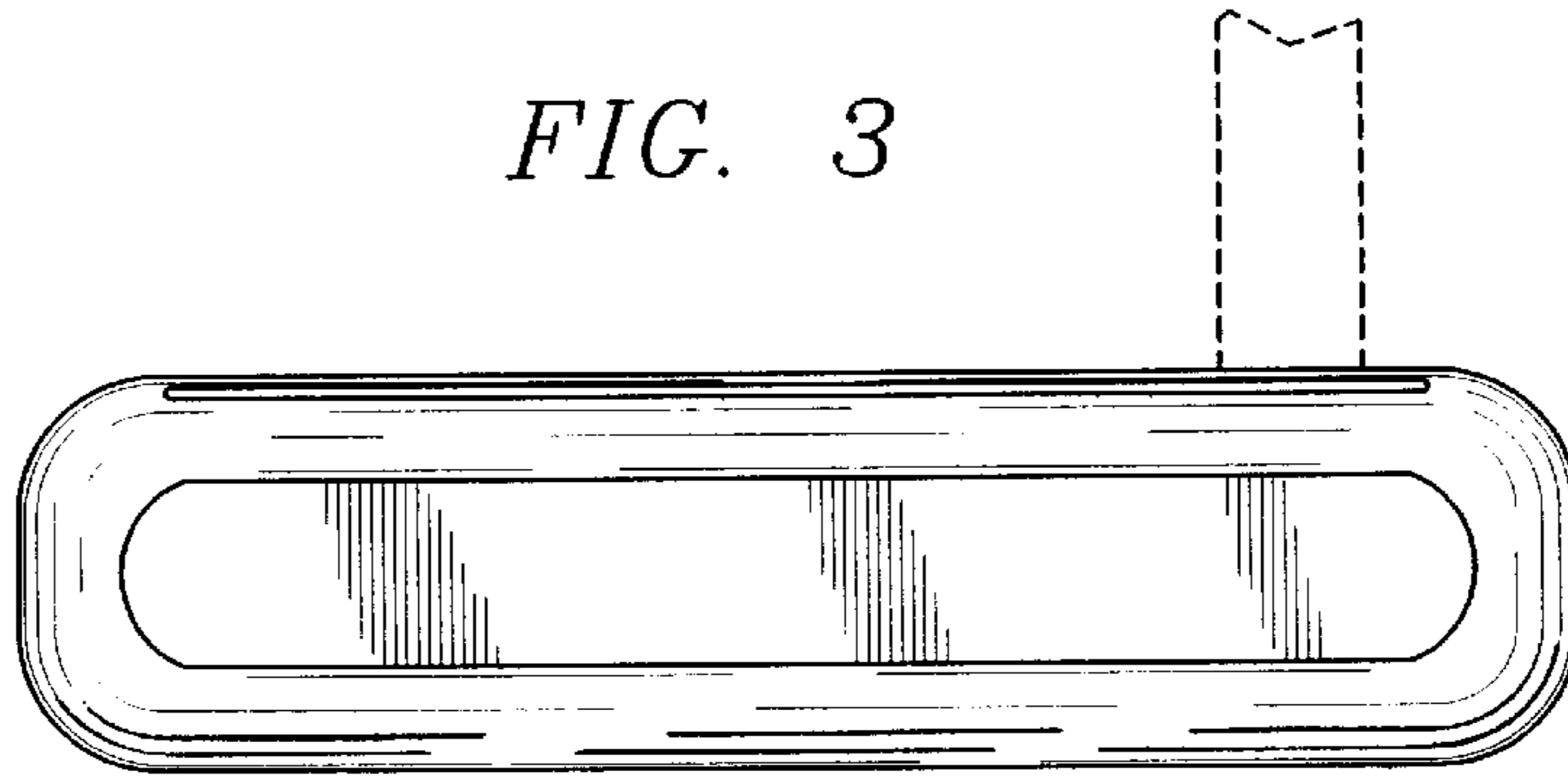


FIG. 4

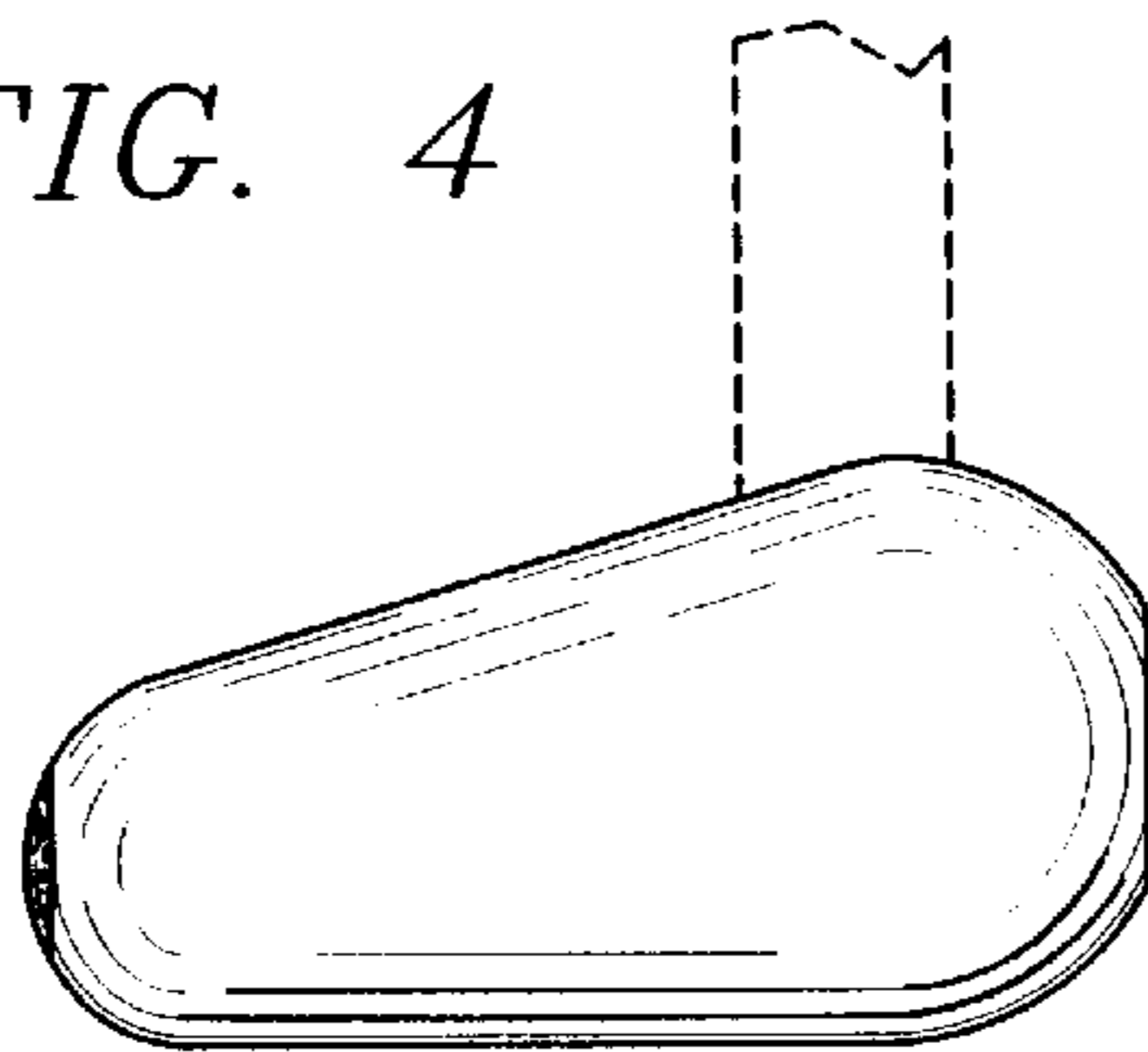


FIG. 5

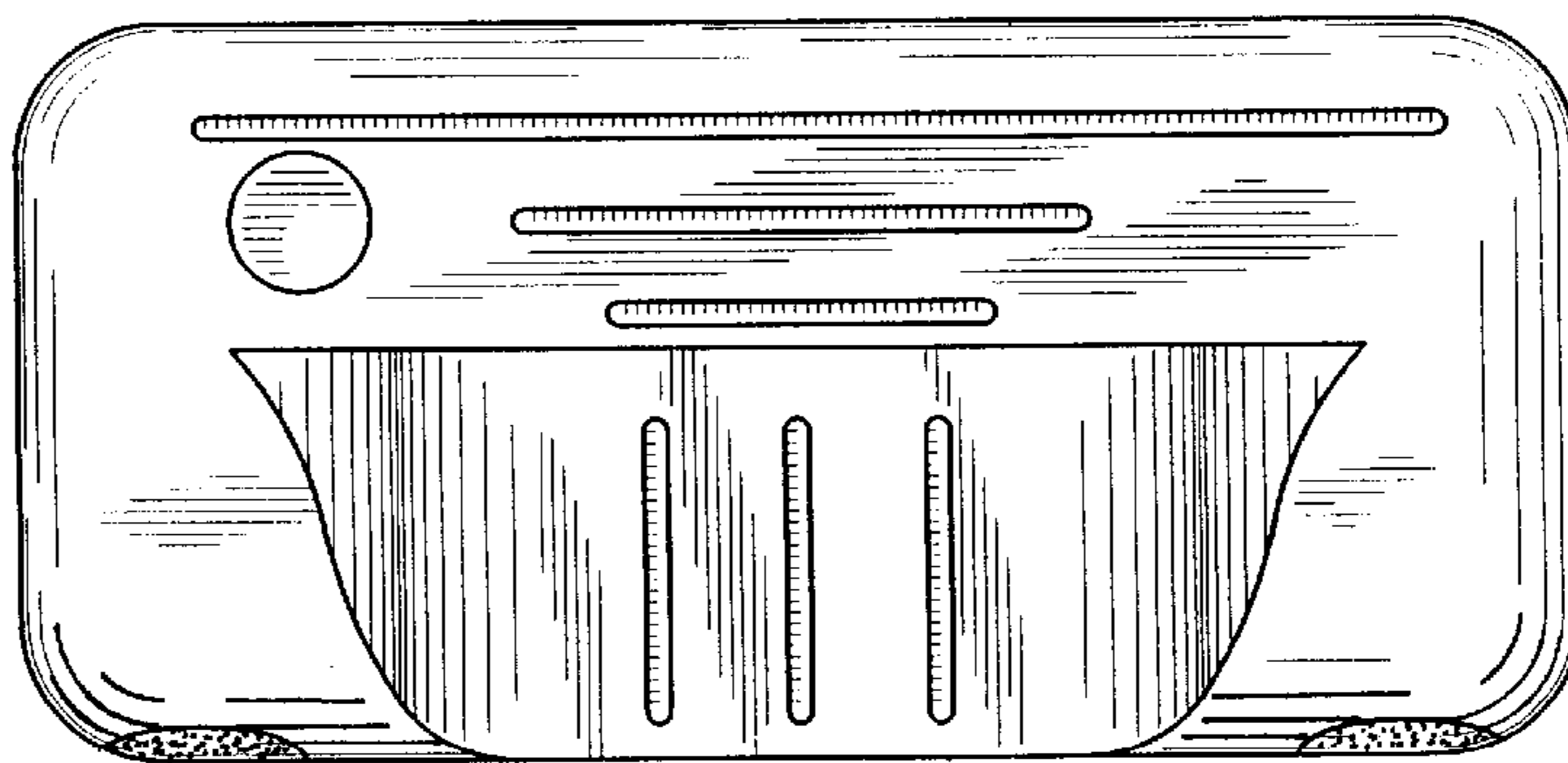


FIG. 6

