



US00D398352S

United States Patent [19] Sheets

[11] **Patent Number: Des. 398,352**

[45] **Date of Patent: ***Sep. 15, 1998**

[54] **GOLF CLUB PUTTER HEAD**

D. 363,329 10/1995 Greene et al. D21/219
D. 363,518 10/1995 Greene et al. D21/219
4,693,478 9/1987 Long 473/251

[75] Inventor: **Jeffrey D. Sheets**, Wilbraham, Mass.

[73] Assignee: **Lisco, Inc.**, Tampa, Fla.

Primary Examiner—Sandra L. Morris
Assistant Examiner—Mitchell I. Siegel

[*] Notice: The portion of the term of this patent subsequent to Jul. 14, 2012, has been disclaimed.

[57] **CLAIM**

[**] Term: **14 Years**

The ornamental design of the golf club putter head, as shown and described.

[21] Appl. No.: **65,311**

DESCRIPTION

[22] Filed: **Jan. 23, 1997**

FIG. 1 is a perspective view of the golf club putter head showing the design of my invention;

[51] **LOC (6) Cl.** **21-02**

FIG. 2 is a front view thereof;

[52] **U.S. Cl.** **D21/219**

FIG. 3 is a top plan view thereof;

[58] **Field of Search** D21/217-219;
473/251-256, 340, 341

FIG. 4 is a rear view thereof;

FIG. 5 is a bottom view thereof;

FIG. 6 is a right end view thereof; and,

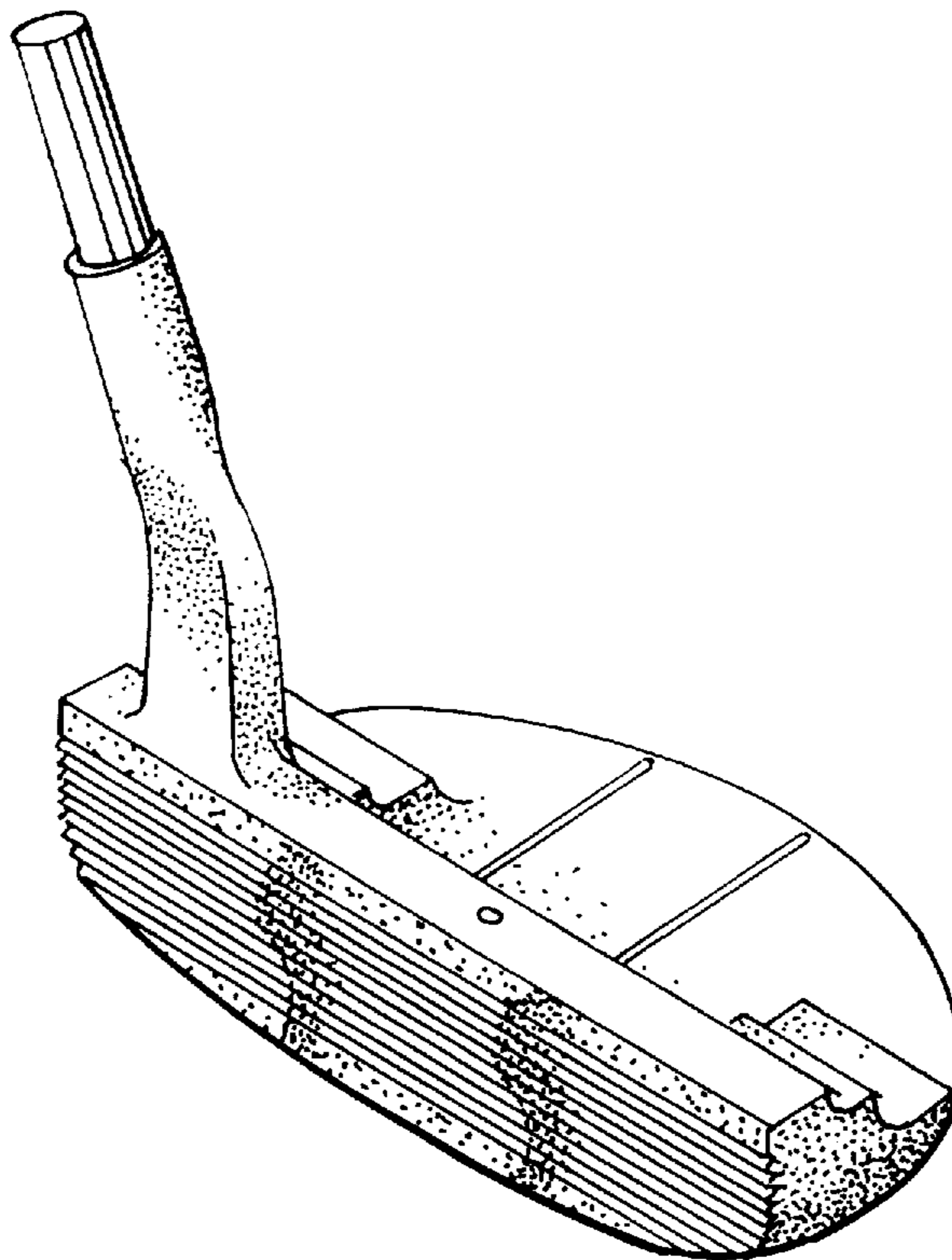
FIG. 7 is a left end view thereof.

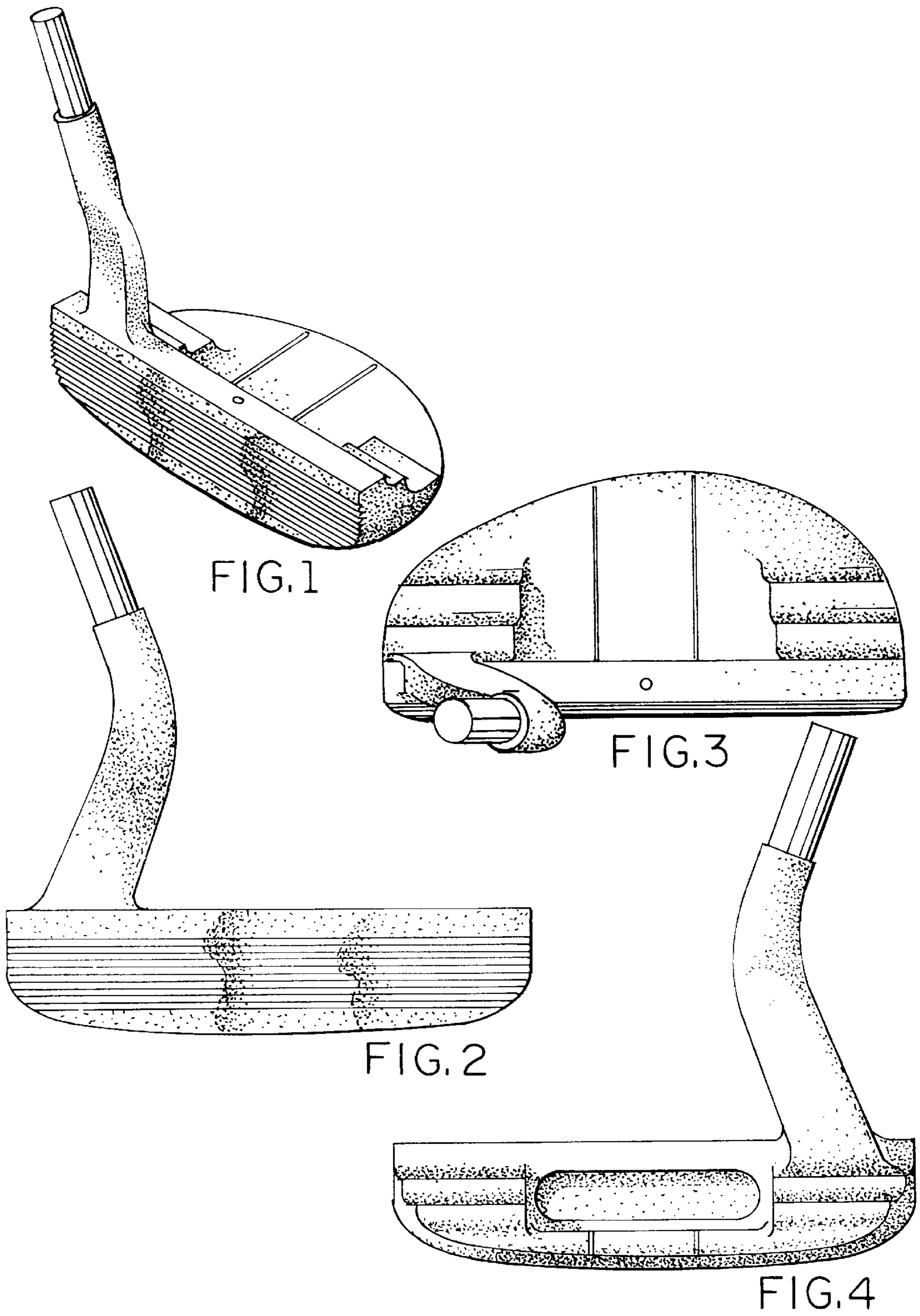
[56] **References Cited**

U.S. PATENT DOCUMENTS

D. 293,126 12/1987 Bizovi D21/219

1 Claim, 2 Drawing Sheets





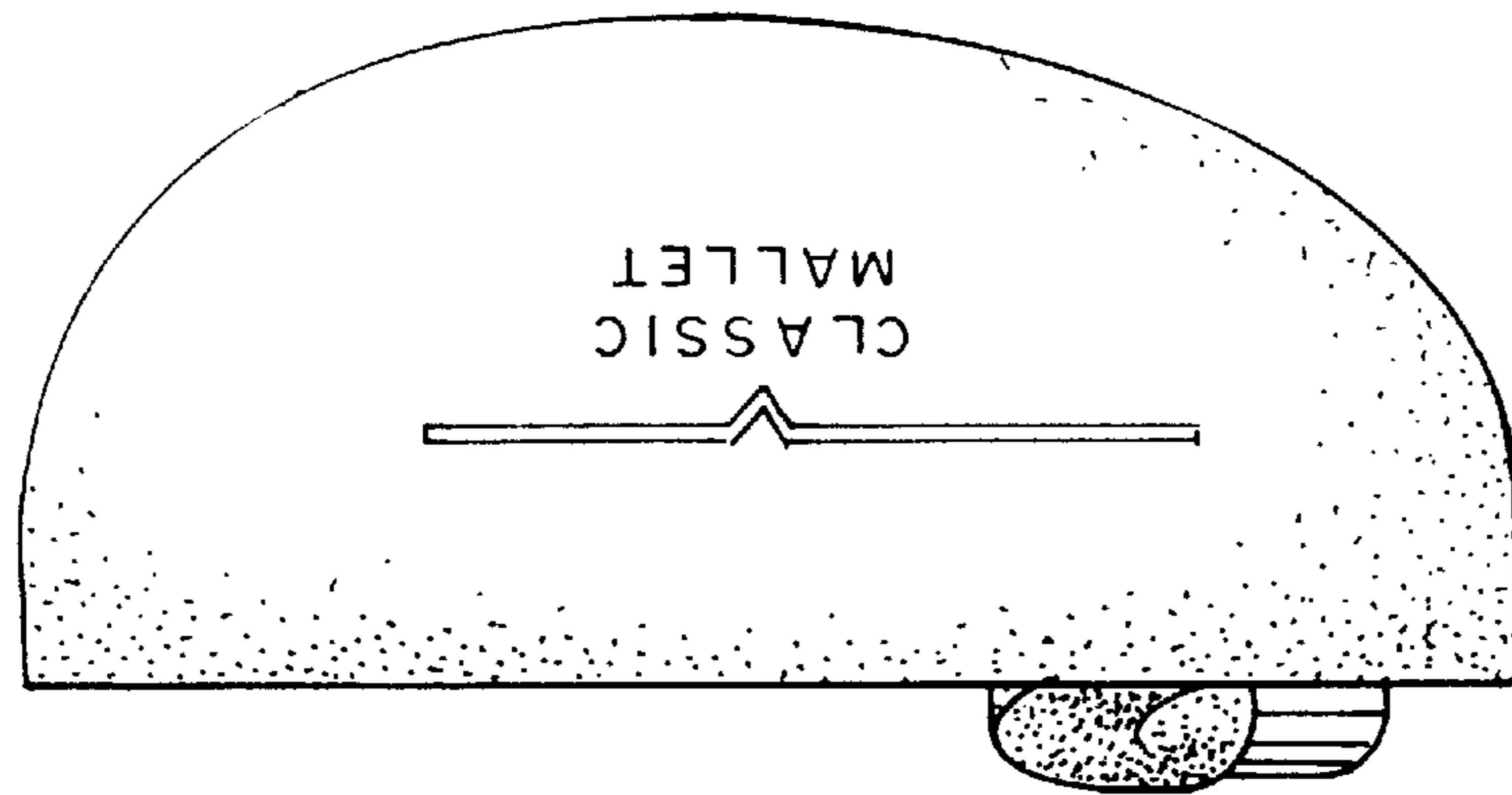


FIG. 5

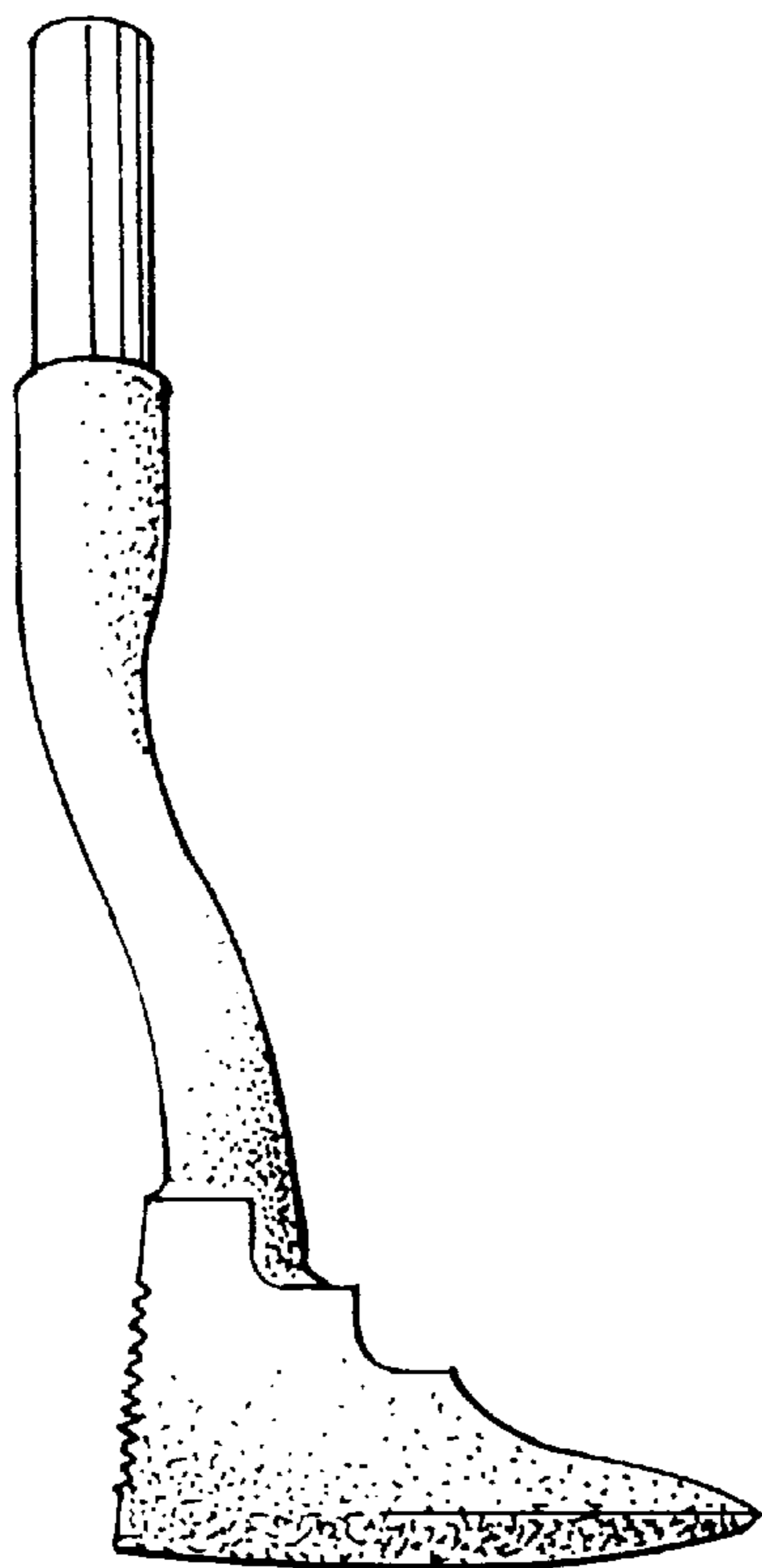


FIG. 6

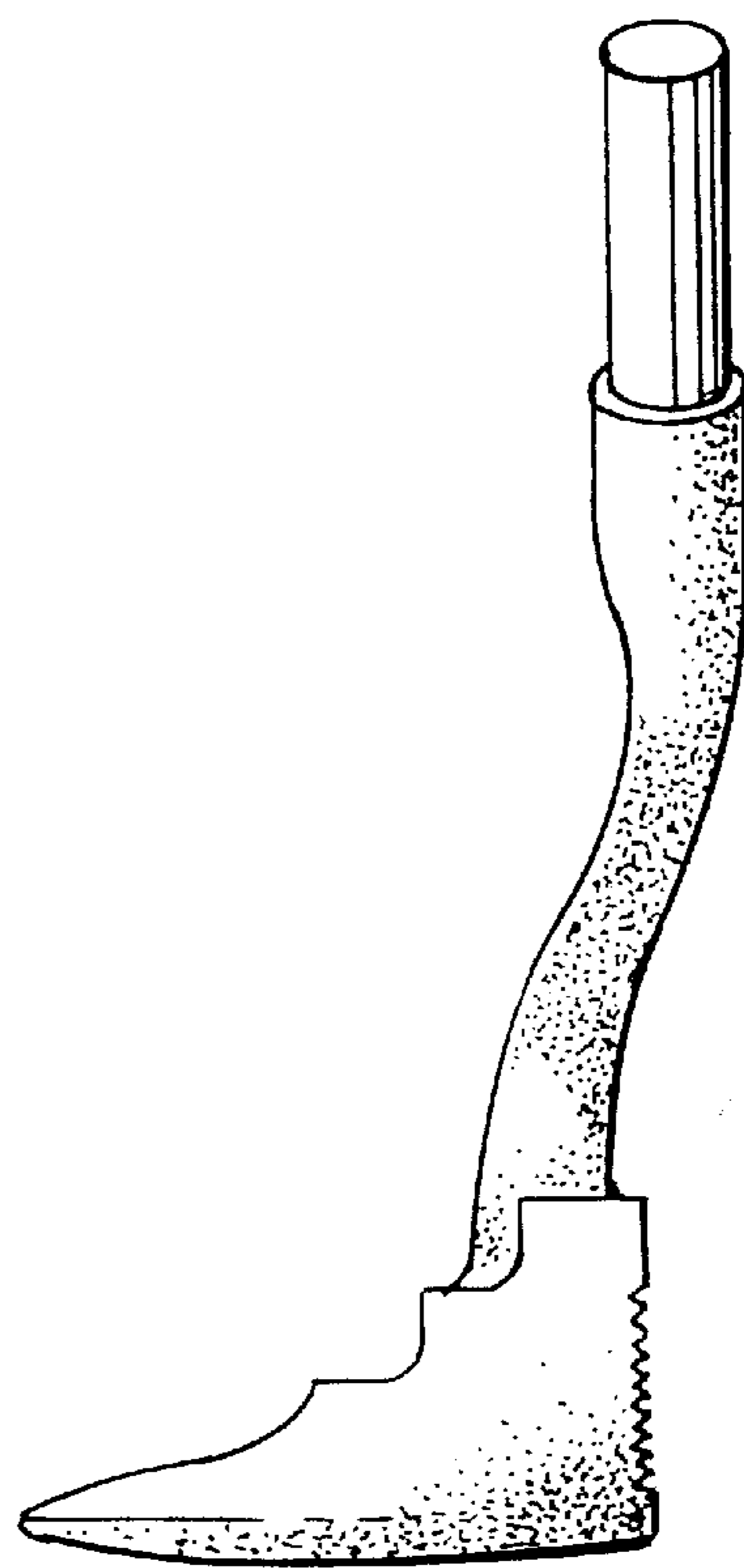


FIG. 7