



US00D398338S

United States Patent [19] Yoon

[11] **Patent Number: Des. 398,338**

[45] **Date of Patent: **Sep. 15, 1998**

[54] **TOY BUILDING BLOCK**
[75] Inventor: **Suckbong Yoon**, Seoul, Rep. of Korea
[73] Assignee: **Eun Sung Media Co., Ltd.**, Rep. of Korea
[**] Term: **14 Years**

1,216,840 2/1917 Hyatt D21/108
3,859,769 1/1975 Watkins 446/125
4,026,065 5/1977 Dick 446/121
5,458,495 10/1995 Stone 446/125

Primary Examiner—Raphael Barkai
Attorney, Agent, or Firm—Salter & Michaelson

[21] Appl. No.: **66,582**
[22] Filed: **Feb. 13, 1997**

[57] **CLAIM**

The ornamental design for toy building block, as shown and described.

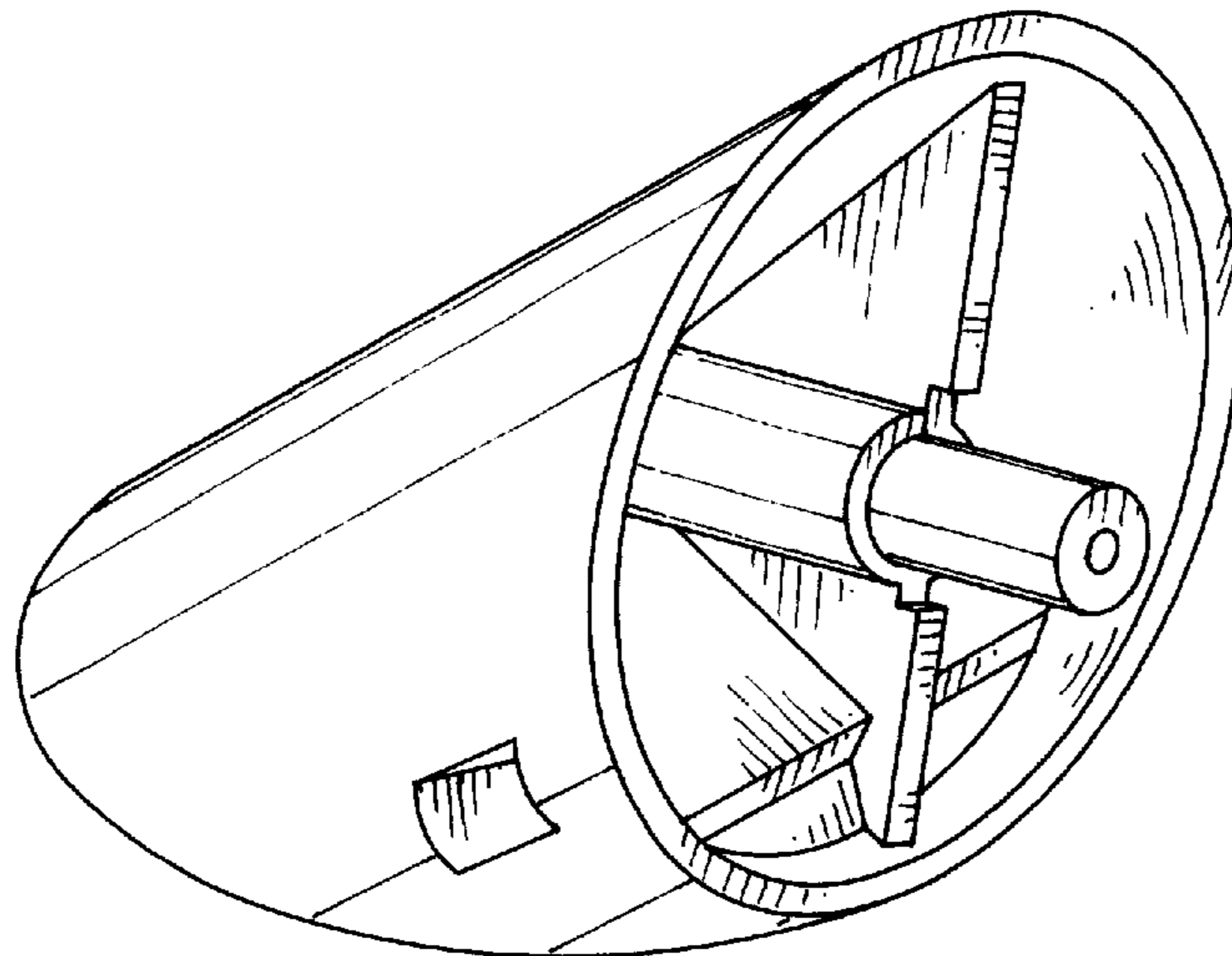
[30] **Foreign Application Priority Data**
Aug. 20, 1996 [JP] Japan 8-24794
[51] **LOC (6) Cl.** **21-01**
[52] **U.S. Cl.** **D21/108**
[58] **Field of Search** D21/108, 109,
D21/141; 446/85, 93, 120, 121, 122, 124,
125, 128

DESCRIPTION

FIG. 1 is a perspective view of a design for toy building block showing my new design;
FIG. 2 is a bottom plan view thereof;
FIG. 3 is a top plan view thereof;
FIG. 4 is a front elevational view thereof, the rear elevational view being substantially a mirror image of the front elevational view;
FIG. 5 is a right side elevational view thereof;
FIG. 6 is a left side elevational view thereof; and,
FIG. 7 is a perspective view thereof, the broken line showing of the toy building blocks is for illustrative purposes only and forms no part of the claimed design.

[56] **References Cited**
U.S. PATENT DOCUMENTS
D. 281,183 10/1985 Kato et al. D21/108
D. 281,262 11/1985 Volpe et al. D21/108

1 Claim, 4 Drawing Sheets



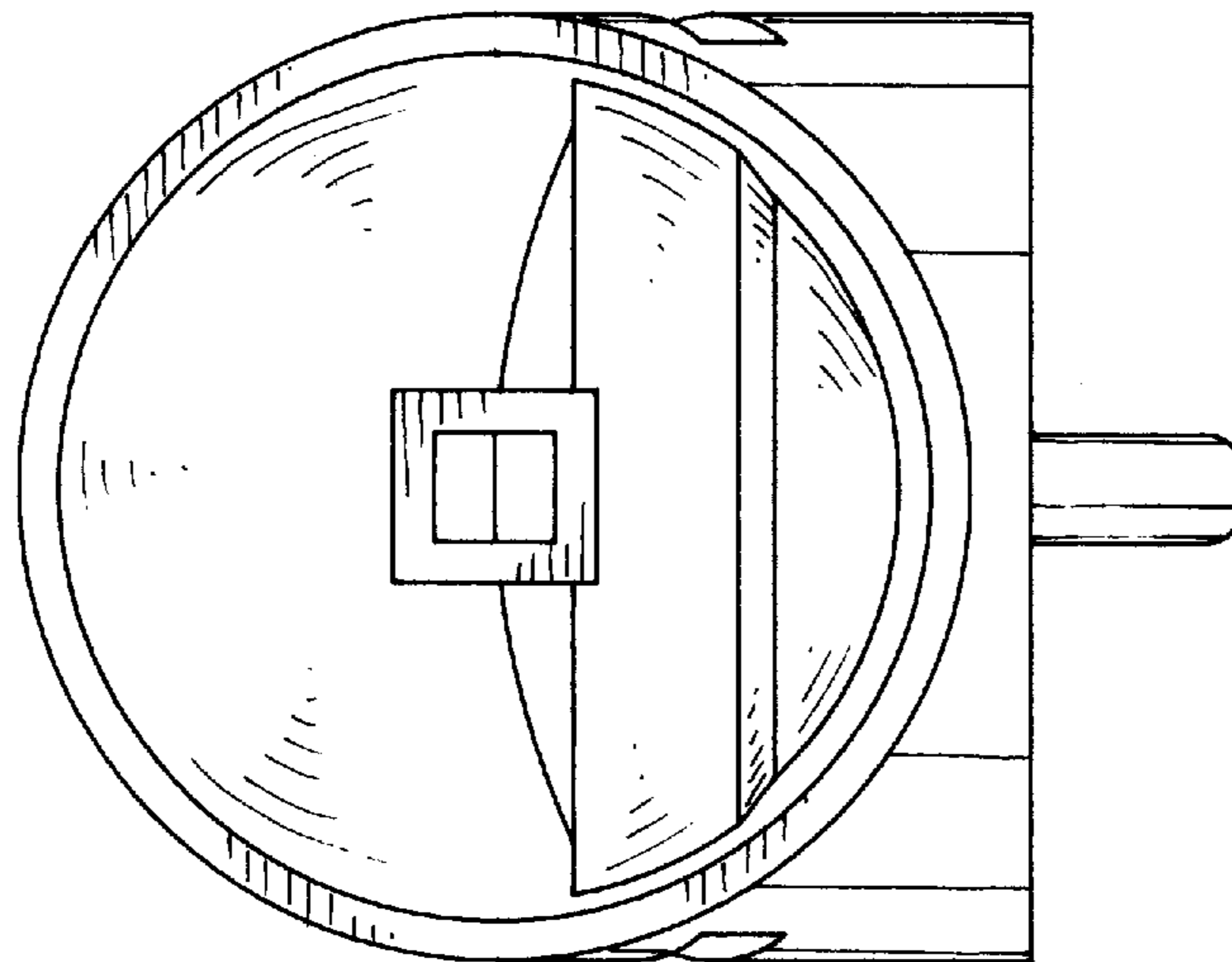


FIG. 2

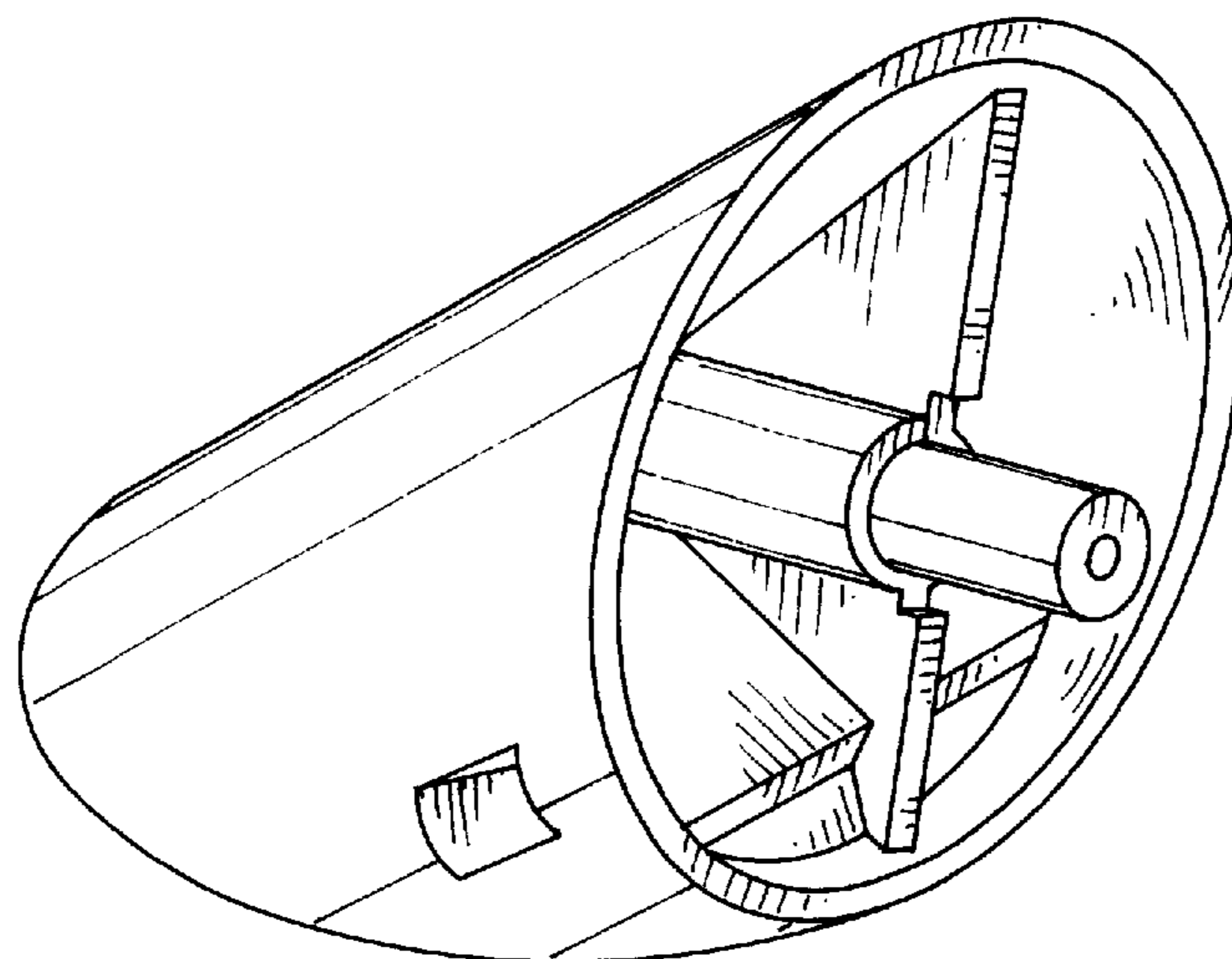


FIG. 1

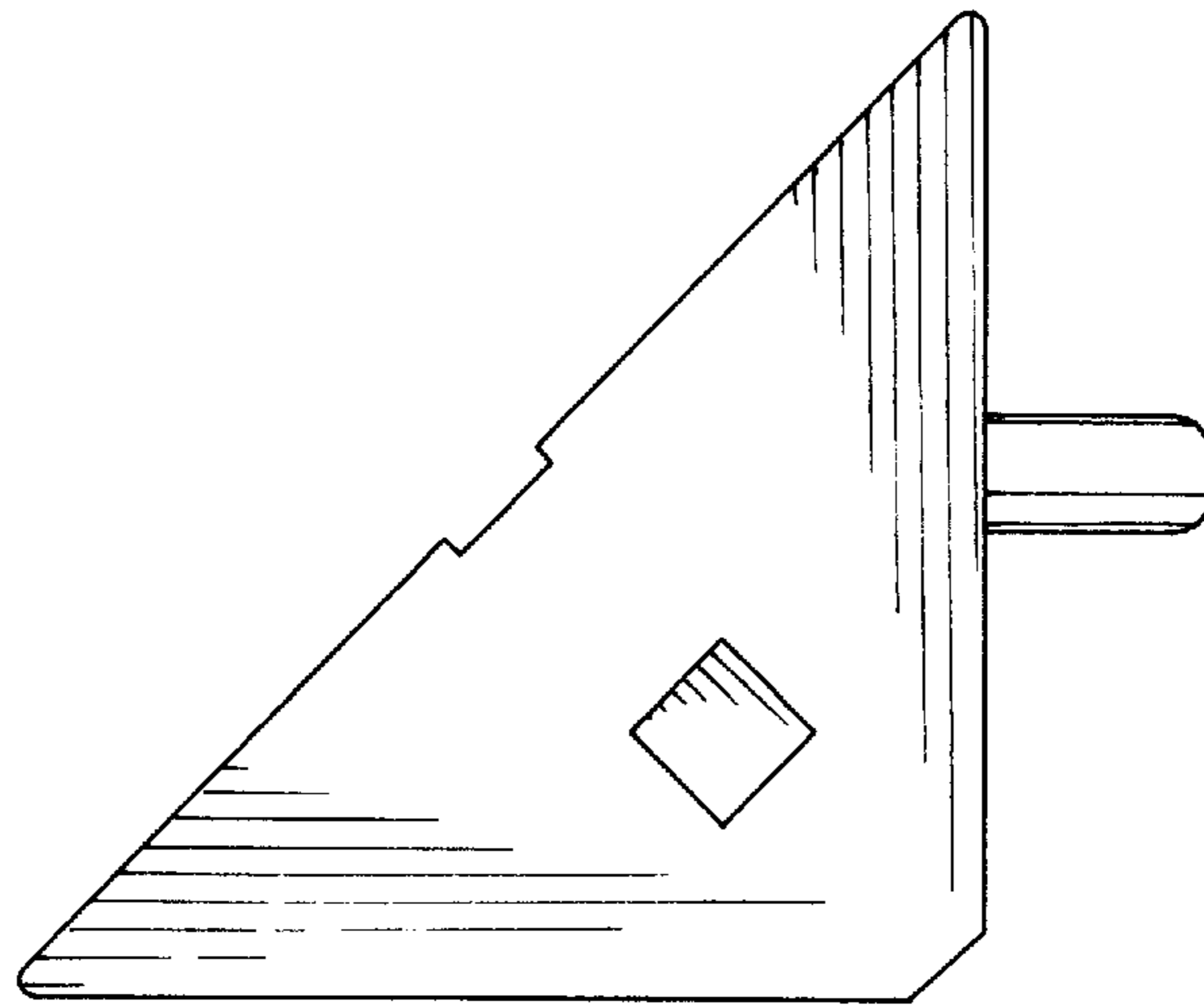


FIG. 4

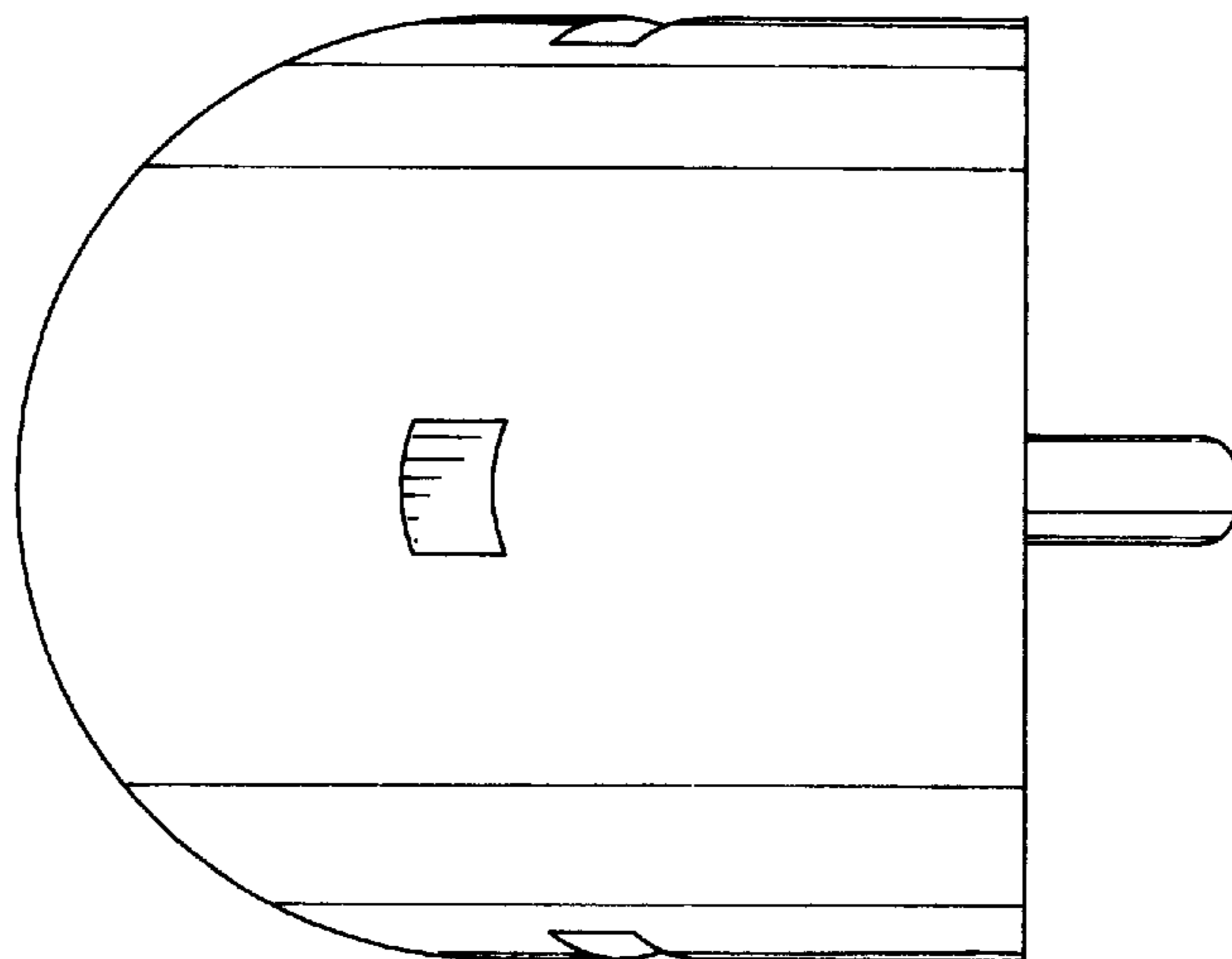


FIG. 3

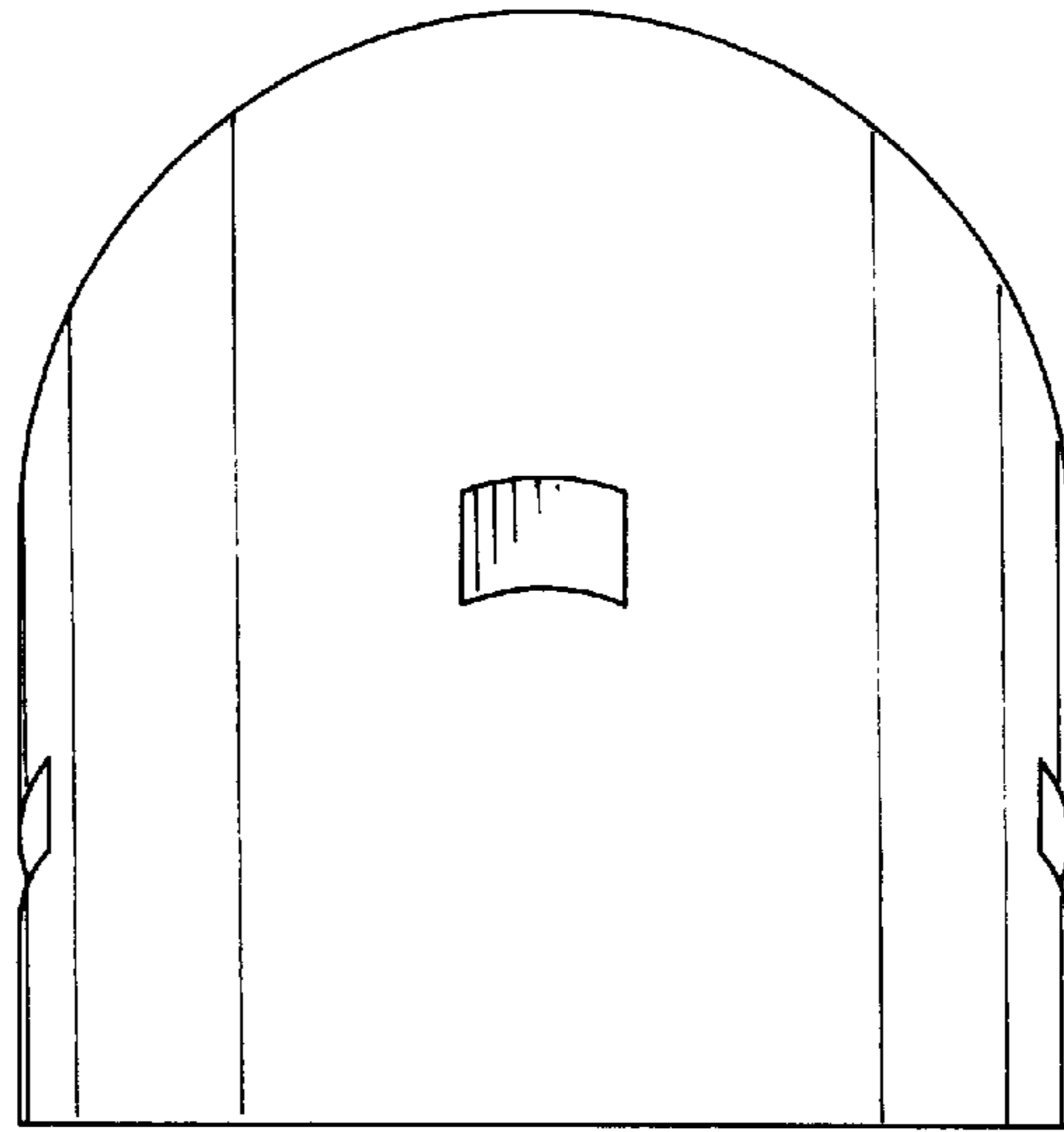


FIG. 6

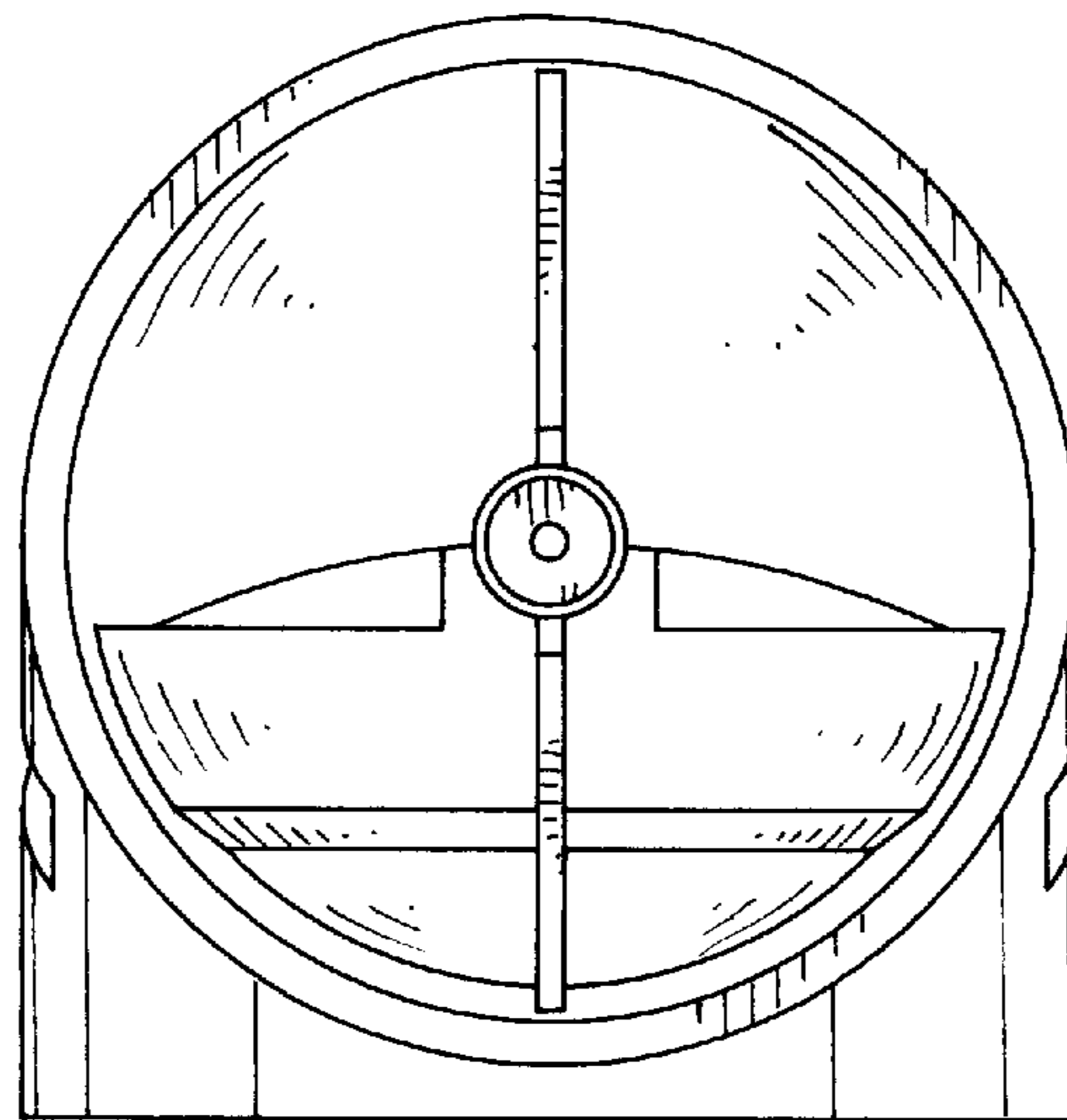


FIG. 5

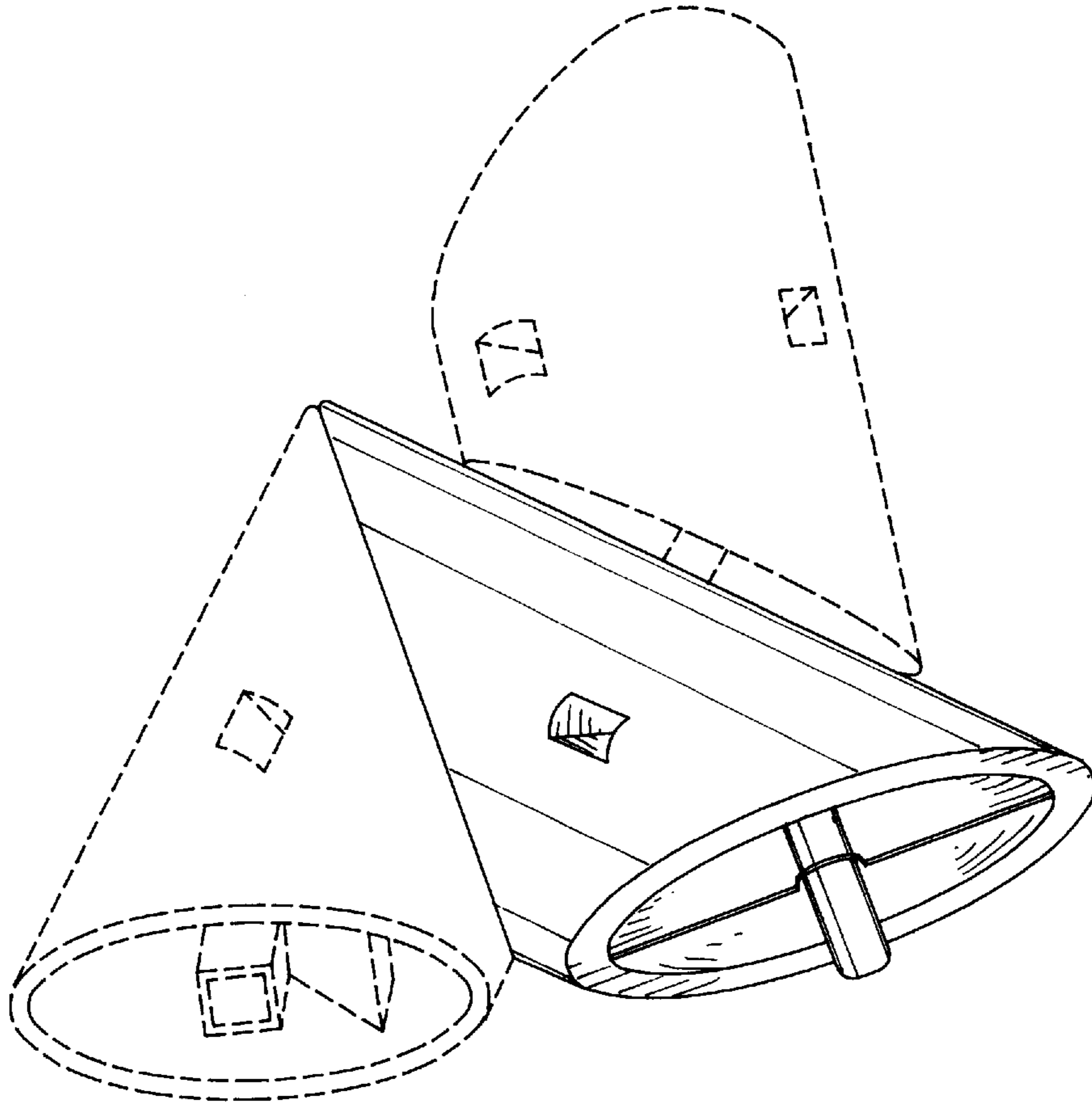


FIG. 7