



US00D398335S

United States Patent [19]

[11] Patent Number: Des. 398,335

Friedrich et al.

[45] Date of Patent: **Sep. 15, 1998

[54] MAILING SYSTEM

[75] Inventors: **Lutz Friedrich; Hans-Peter Constin,**
both of Berlin, Germany

[73] Assignee: **Francotyp Postalia AG & Co.,**
Birkenwerder, Germany

[**] Term: **14 Years**

[21] Appl. No.: **69,761**

[22] Filed: **Apr. 22, 1997**

[30] Foreign Application Priority Data

Oct. 22, 1996 [DE] Germany 96 09 167.3

[51] LOC (6) Cl. **18-02**

[52] U.S. Cl. **D18/51**

[58] Field of Search D15/145; D18/31;
156/441.9; 101/91; 53/284.3, 381.1, 467,
468, 474, 473, 475, 510, 569; 209/584,
900; 364/464.01, 464.02, 464.03, 464.04,
468, 469, 571.01, 557, 140, 148

[56] References Cited

U.S. PATENT DOCUMENTS

D. 330,386 10/1992 Doeberl et al. D18/51

D. 380,770 7/1997 Muchenberger et al. D18/51

Primary Examiner—Antoine Duval Davis

Attorney, Agent, or Firm—Herbert L. Lerner; Laurence A. Greenberg

[57] CLAIM

The ornamental design for a mailing system, as shown and described.

DESCRIPTION

FIG. 1 is a perspective view of a first embodiment of our novel and fully accessorized mailing system showing our new design;

FIG. 2 is a front elevational view thereof;

FIG. 3 is a left side-elevational view thereof;

FIG. 4 is a right side-elevational view thereof;

FIG. 5 is a rear elevational view thereof;

FIG. 6 is a top plan view thereof;

FIG. 7 is a bottom plan view thereof;

FIG. 8 is a front elevational view of a second embodiment of our mailing system without a postage strip dispenser;

FIG. 9 is a left side-elevational view thereof;

FIG. 10 is a top plan view thereof;

FIG. 11 is a perspective view of a third embodiment of my our mailing system without an envelope flap moistener and envelope closer;

FIG. 12 is a front elevational view thereof;

FIG. 13 is a left side-elevational view thereof;

FIG. 14 is a top plan view thereof;

FIG. 15 is a front elevational view of a fourth embodiment of our mailing system without the envelope flap moistener and envelope closer and without the postage strip dispenser;

FIG. 16 is a left side-elevational view thereof;

FIG. 17 is a top plan view thereof;

FIG. 18 is a perspective view of a fifth embodiment of our mailing system without a scale;

FIG. 19 is a front elevational view thereof;

FIG. 20 is a left side-elevational view thereof;

FIG. 21 is a right side-elevational view thereof;

FIG. 22 is a top plan view thereof;

FIG. 23 is a bottom plan view thereof;

FIG. 24 is a perspective view of a sixth embodiment of our mailing system without the scale and without the envelope flap moistener and envelope closer;

FIG. 25 is a front elevational view thereof;

FIG. 26 is a left side-elevational view thereof;

FIG. 27 is a top plan view thereof;

FIG. 28 is a perspective view of a seventh embodiment of our mailing system without the scale and without the postage strip dispenser;

FIG. 29 is a front elevational view thereof;

FIG. 30 is a left side-elevational view thereof;

FIG. 31 is a top plan view thereof;

FIG. 32 is a perspective view of an eighth embodiment of our mailing system without the scale, without the envelope flap moistener and envelope closer, and without the postage strip dispenser;

FIG. 33 is a left side-elevational view thereof;

FIG. 34 is a top plan view thereof;

FIG. 35 is a perspective view of a ninth embodiment of our mailing system without a letter repository;

FIG. 36 is a front elevational view thereof;

FIG. 37 is a left side-elevational view thereof;

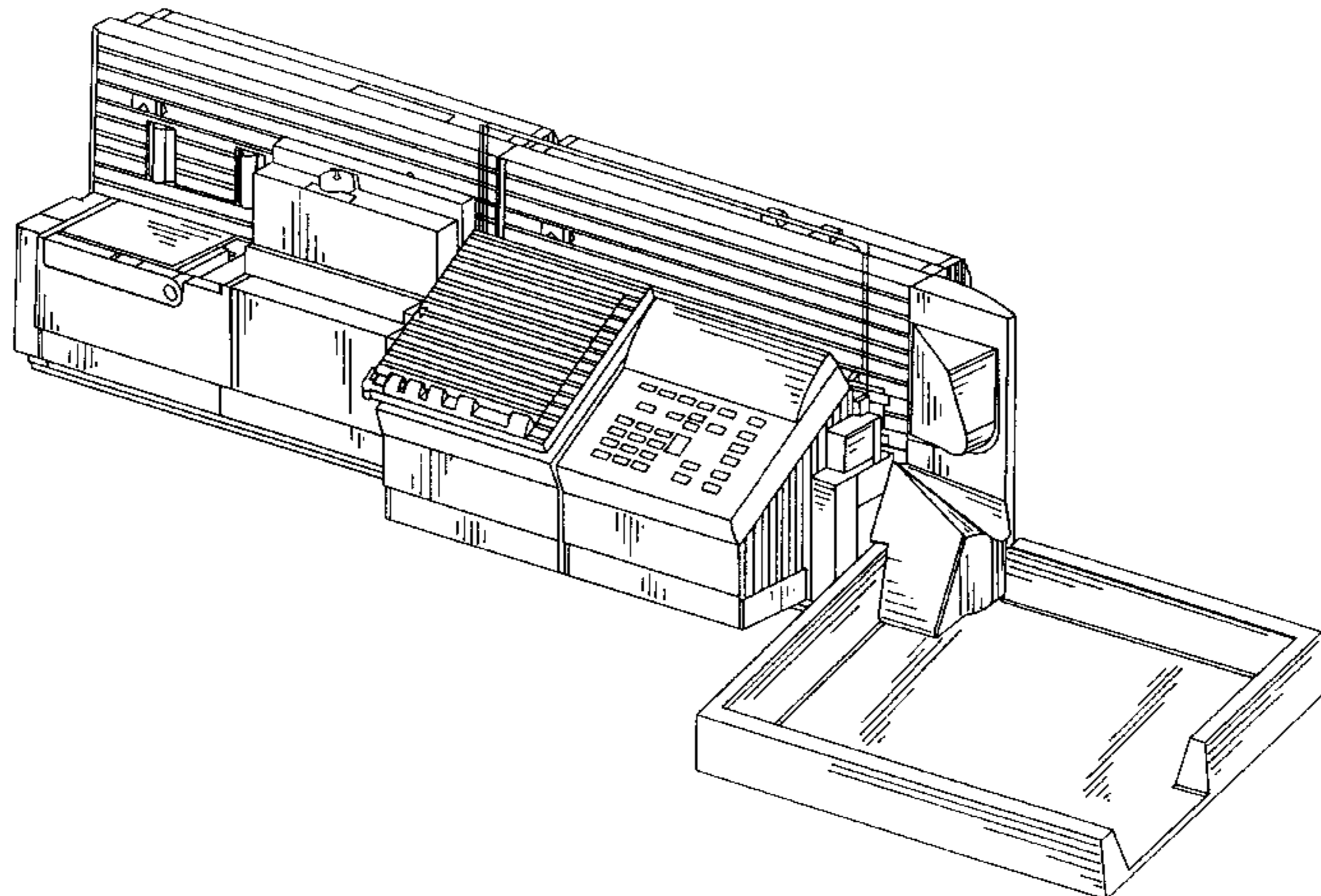


FIG. 38 is a right side-elevational view thereof;

FIG. 39 is a rear elevational view thereof;

FIG. 40 is a top plan view thereof;

FIG. 41 is a bottom plan view thereof;

FIG. 42 is a perspective view of a tenth embodiment of our mailing system without the letter repository and without the scale;

FIG. 43 is a front elevational view thereof;

FIG. 44 is a left side-elevational view thereof;

FIG. 45 is a right side-elevational view thereof;

FIG. 46 is a top plan view thereof;

FIG. 47 is a bottom plan view thereof;

FIG. 48 is a perspective view of an eleventh embodiment of our mailing system highlighting only an automatic feeder;

FIG. 49 is a front elevational view thereof;

FIG. 50 is a left side-elevational view thereof;

FIG. 51 is a right side-elevational view thereof;

FIG. 52 is a rear elevational view thereof;

FIG. 53 is a top plan view thereof;

FIG. 54 is a perspective view of a twelfth embodiment of our mailing system highlighting the automatic feeder without the envelope flap moistener and envelope closer;

FIG. 55 is a front elevational view thereof;

FIG. 56 is a left side-elevational view thereof;

FIG. 57 is a right side-elevational view thereof;

FIG. 58 is a top plan view thereof; and,

FIG. 59 is a bottom plan view thereof.

1 Claim, 59 Drawing Sheets

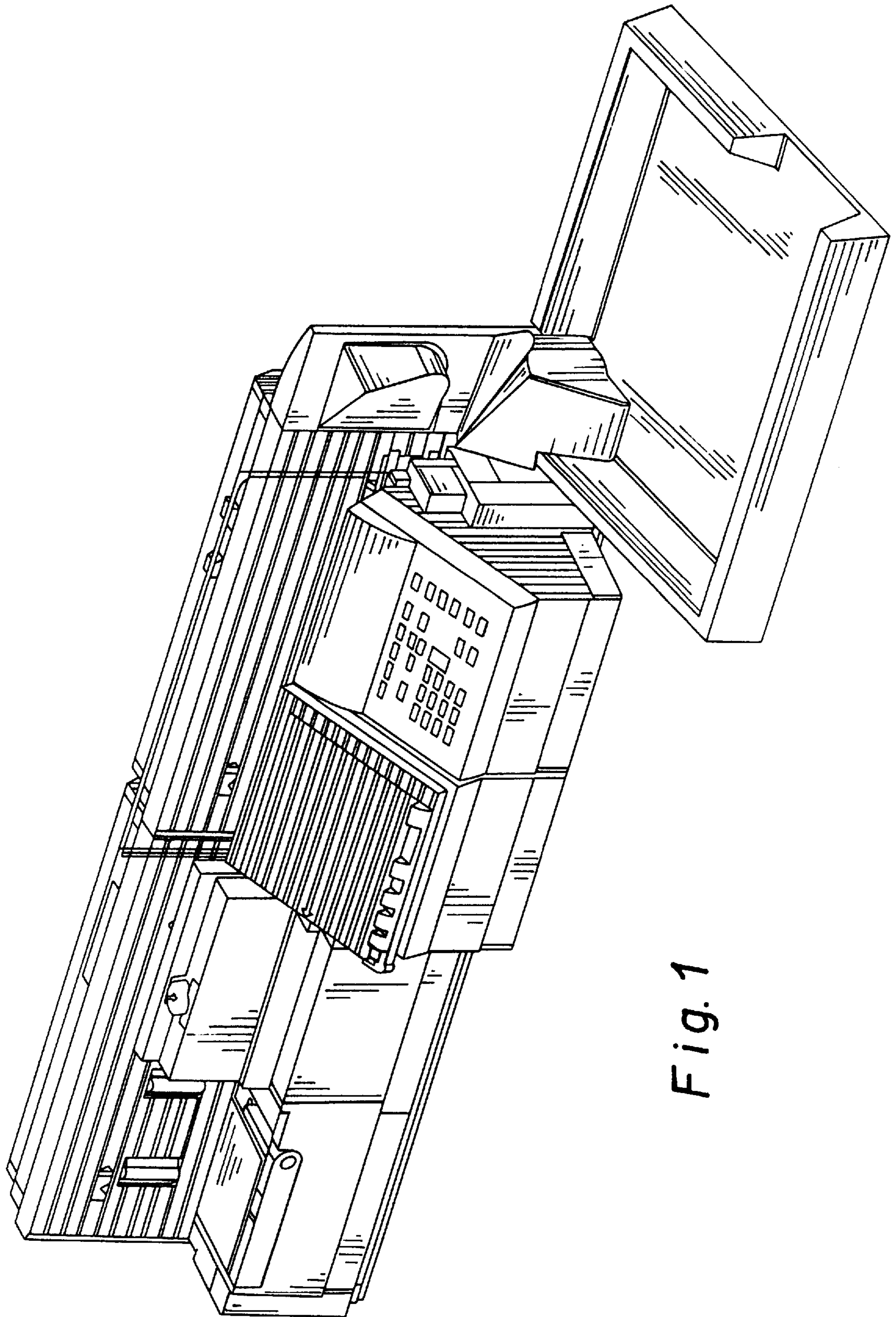


Fig. 1

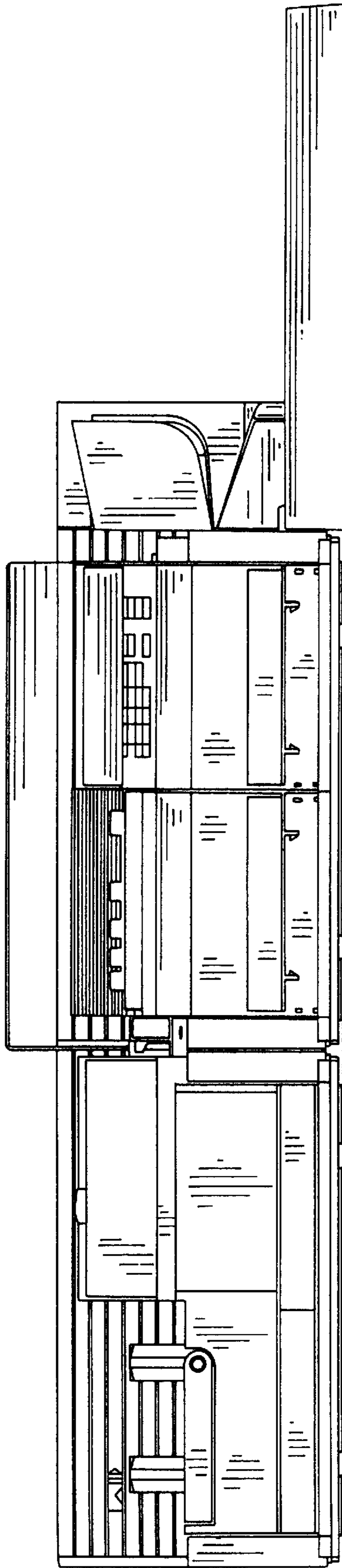


Fig. 2

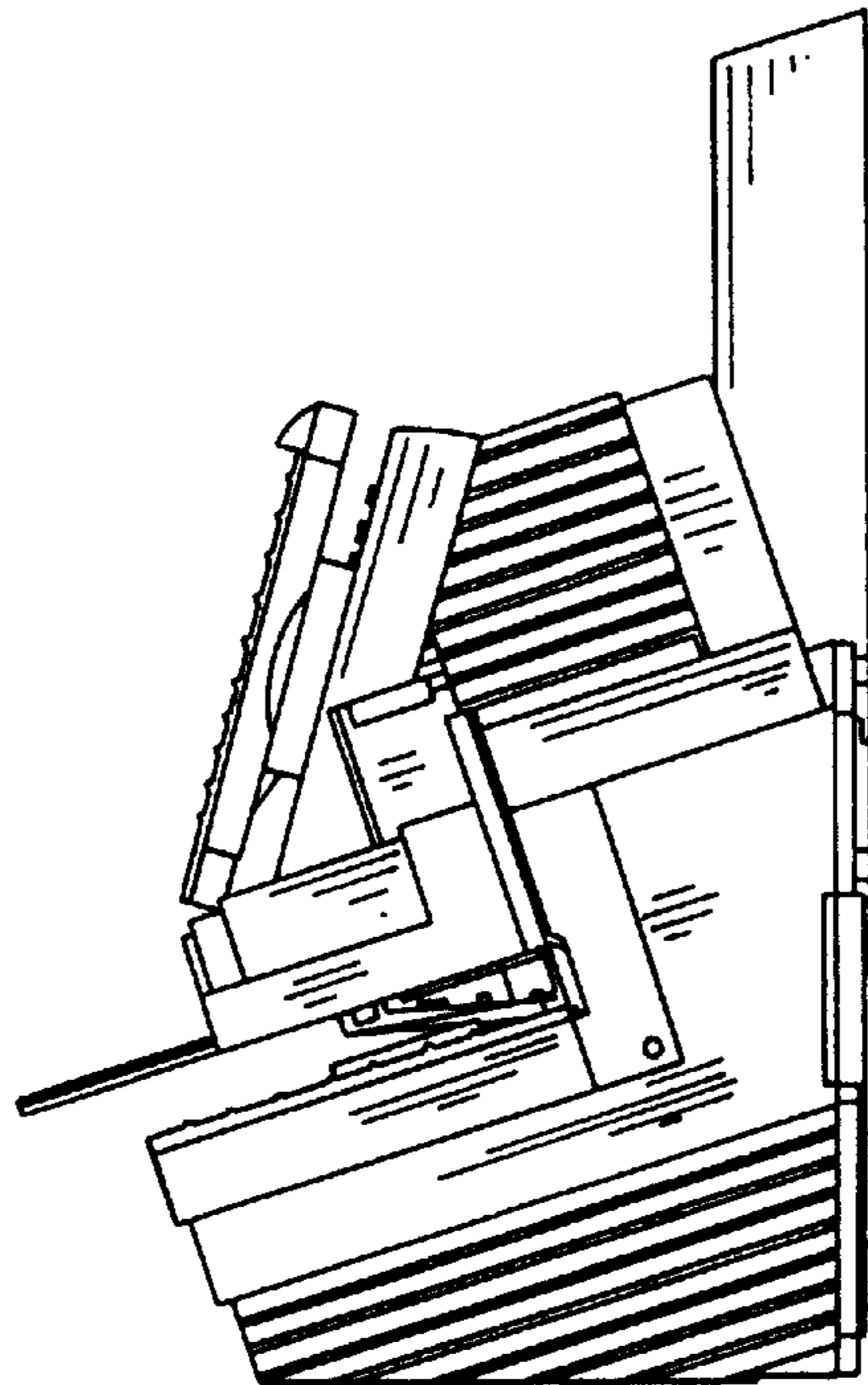


Fig. 3

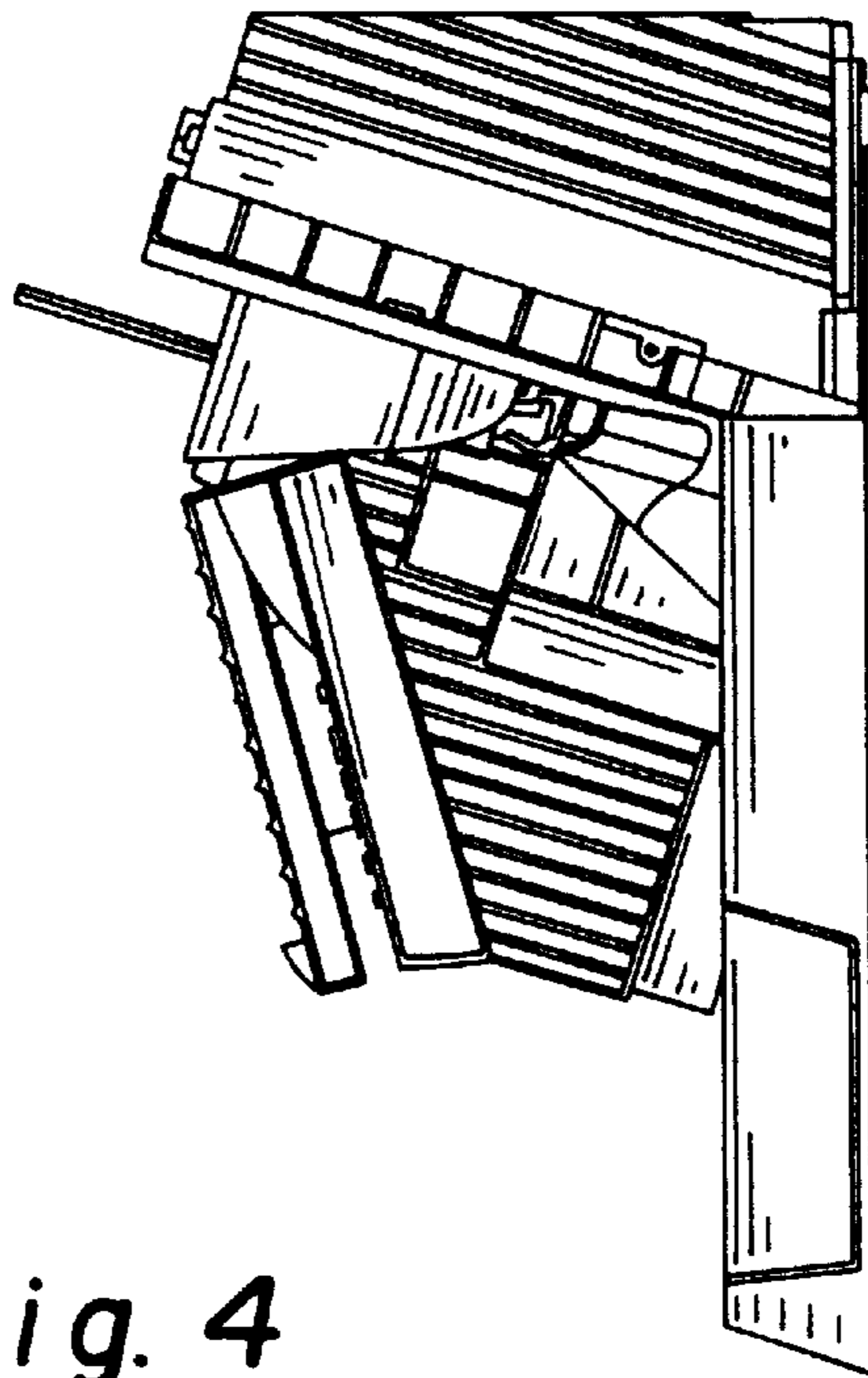
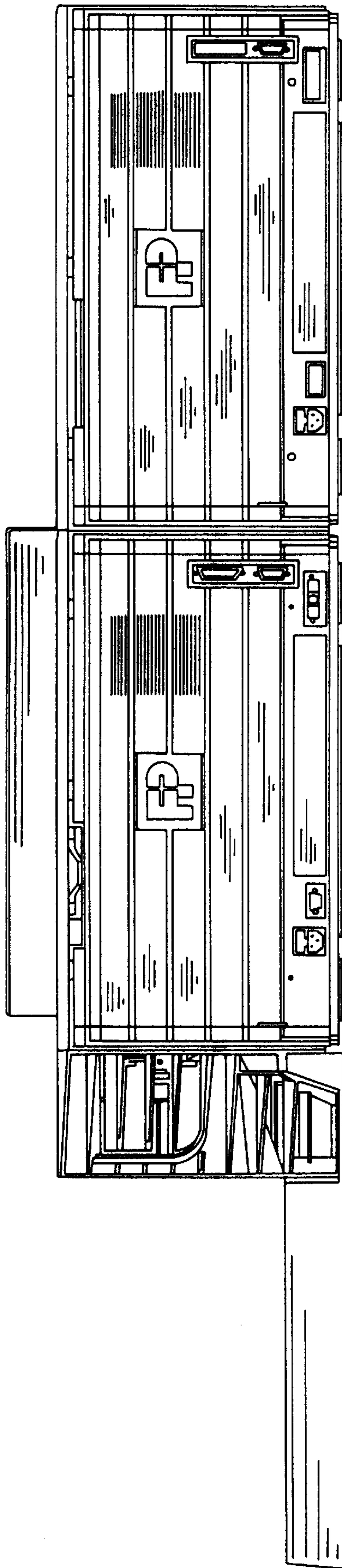


Fig. 4

Fig. 5



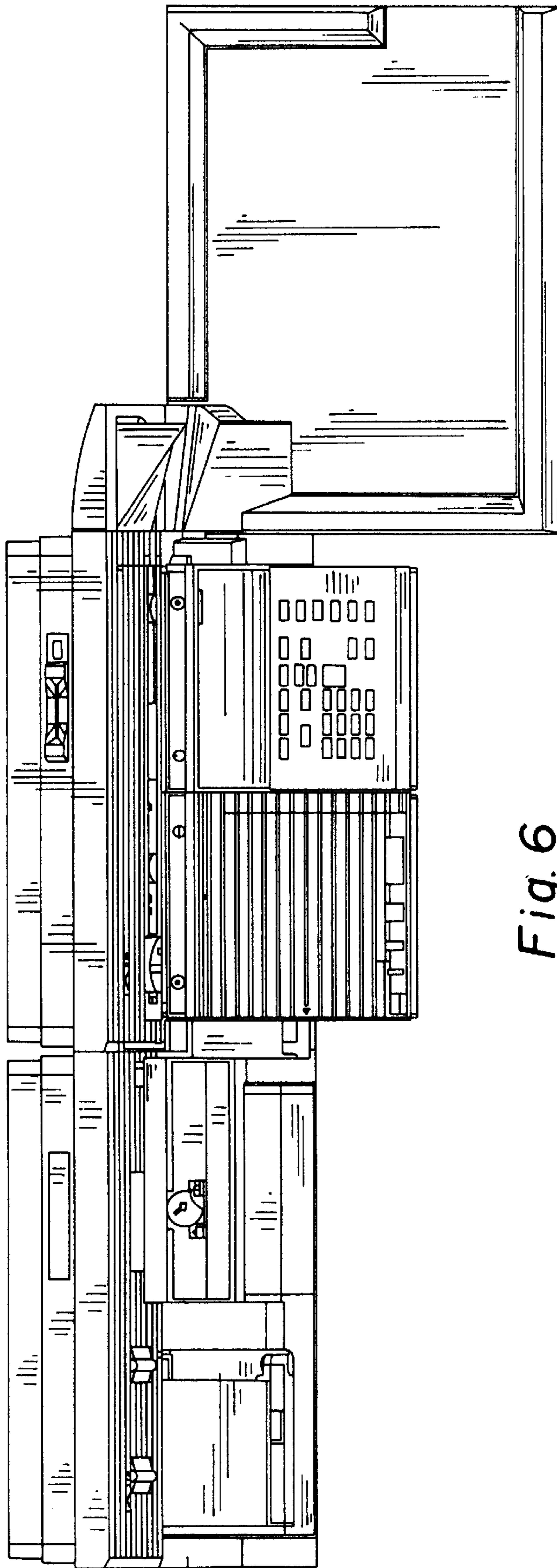


Fig. 6

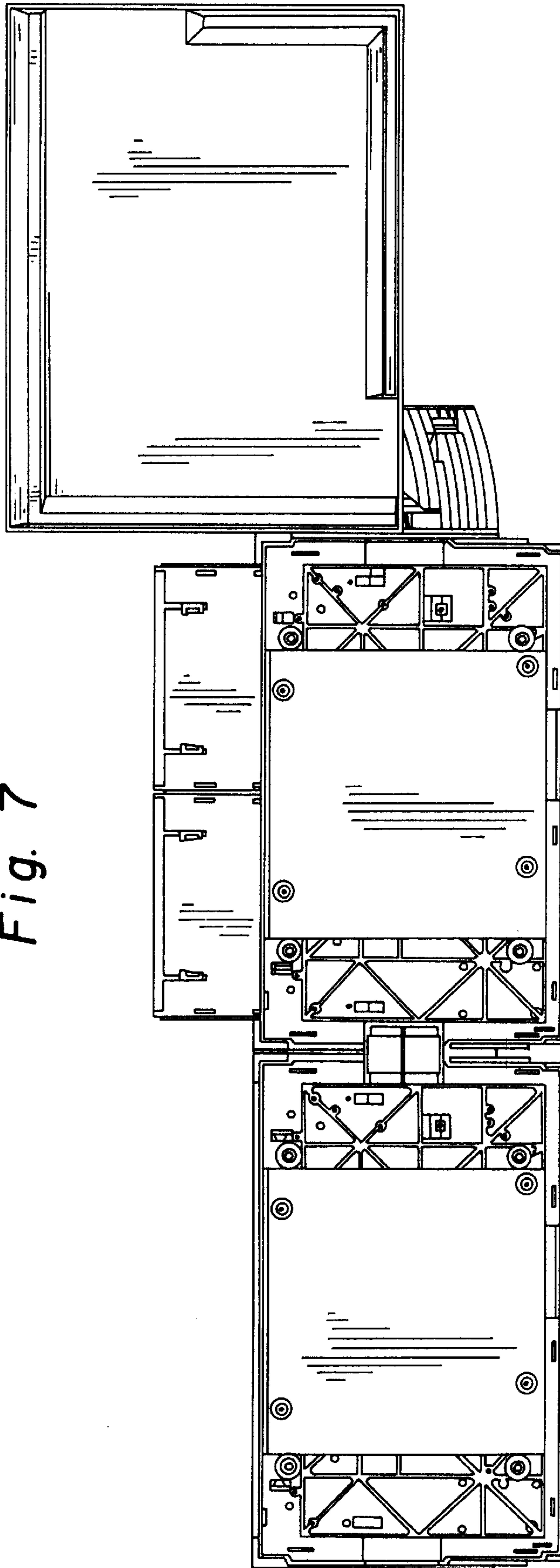


Fig. 7

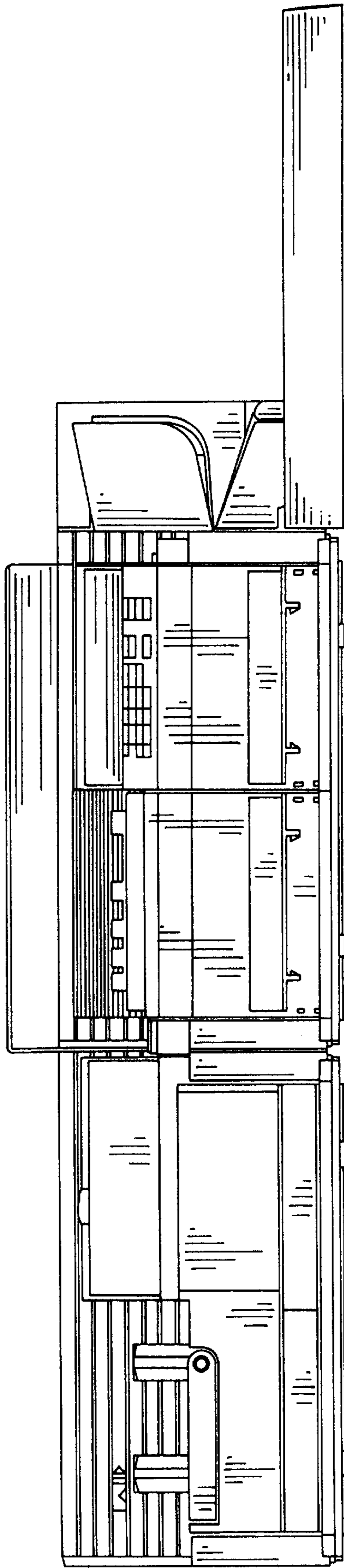


Fig. 8

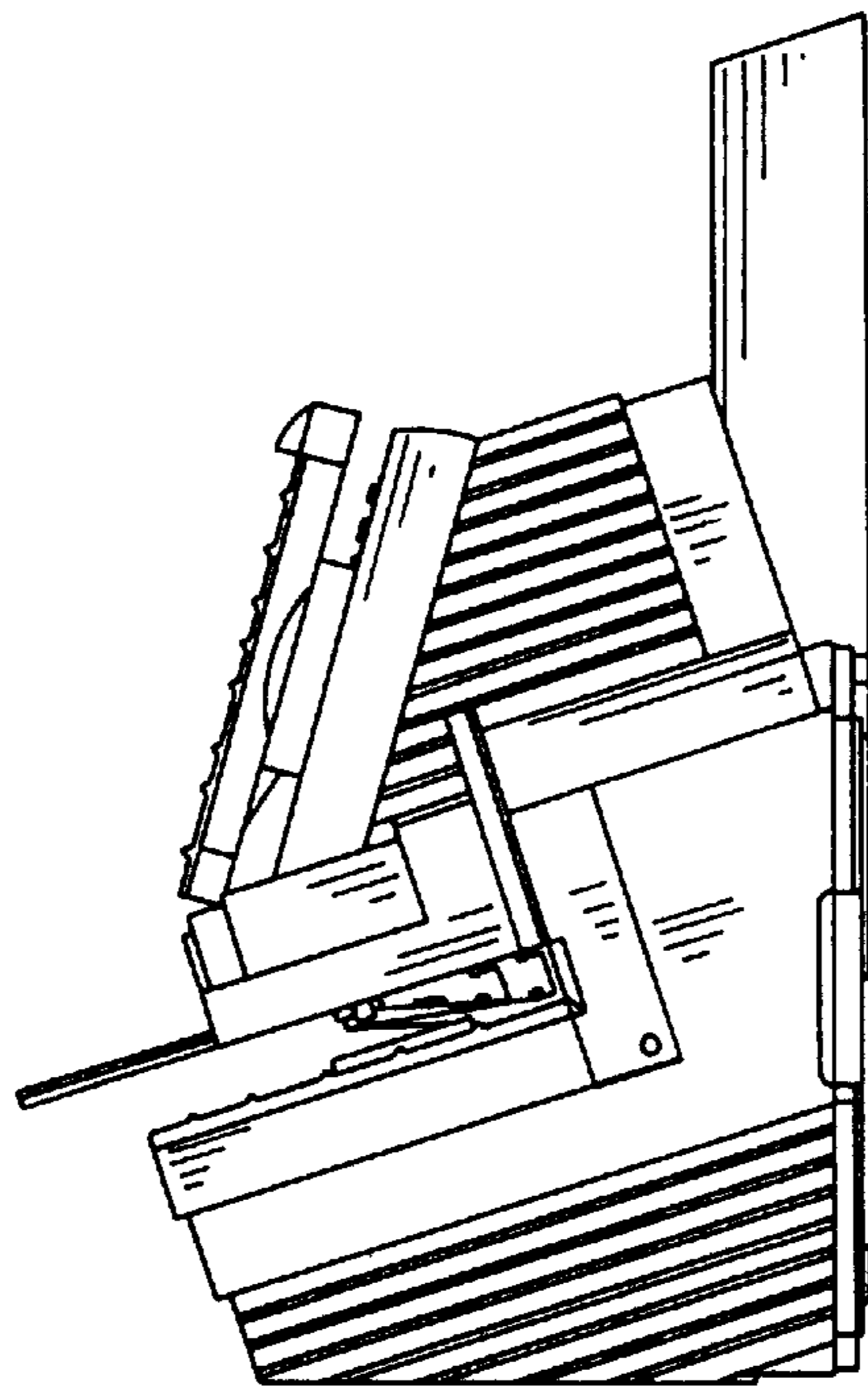


Fig. 9

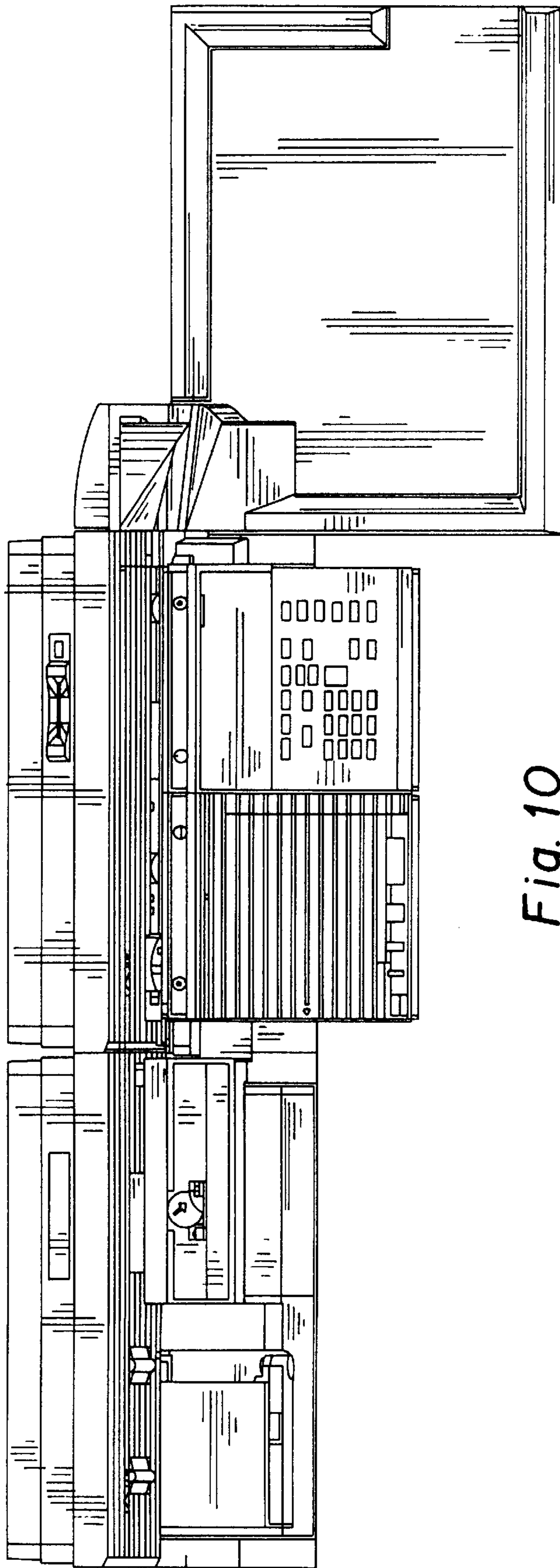


Fig. 10

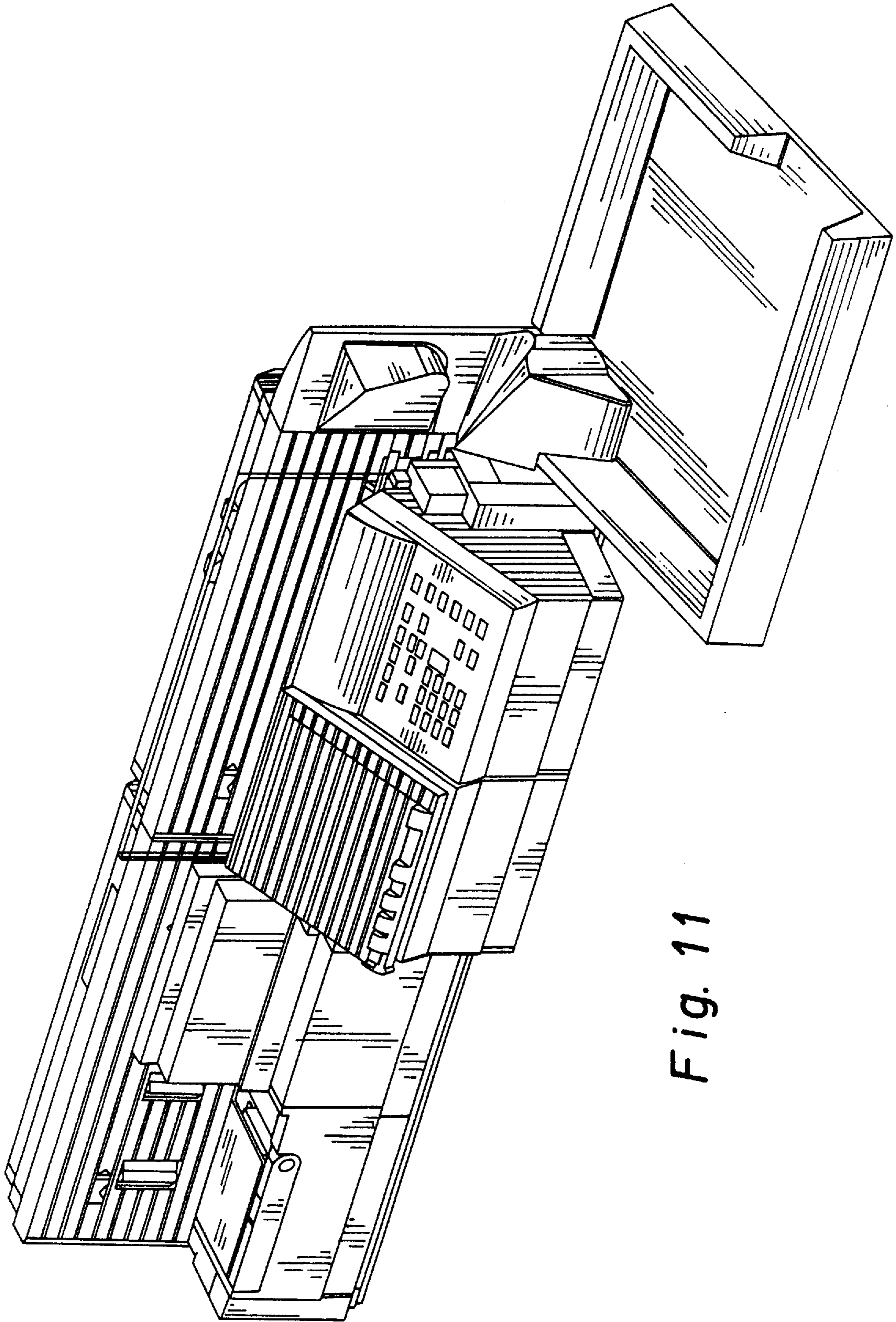


Fig. 11

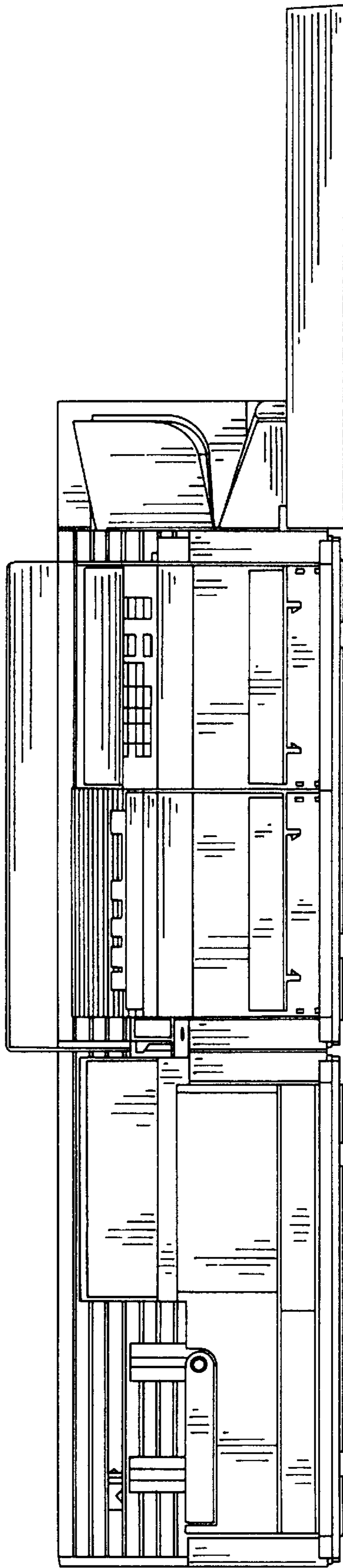


Fig. 12

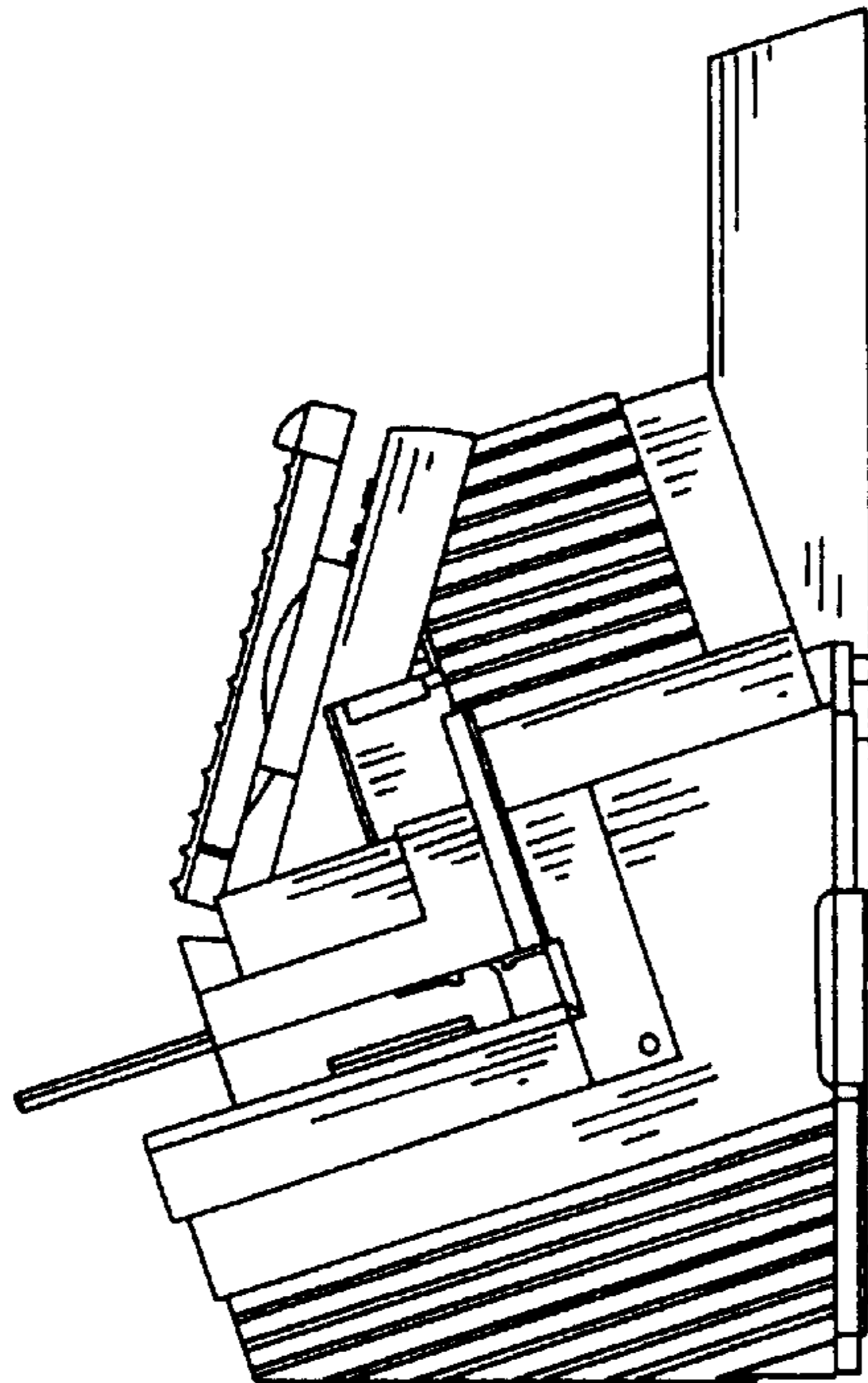


Fig. 13

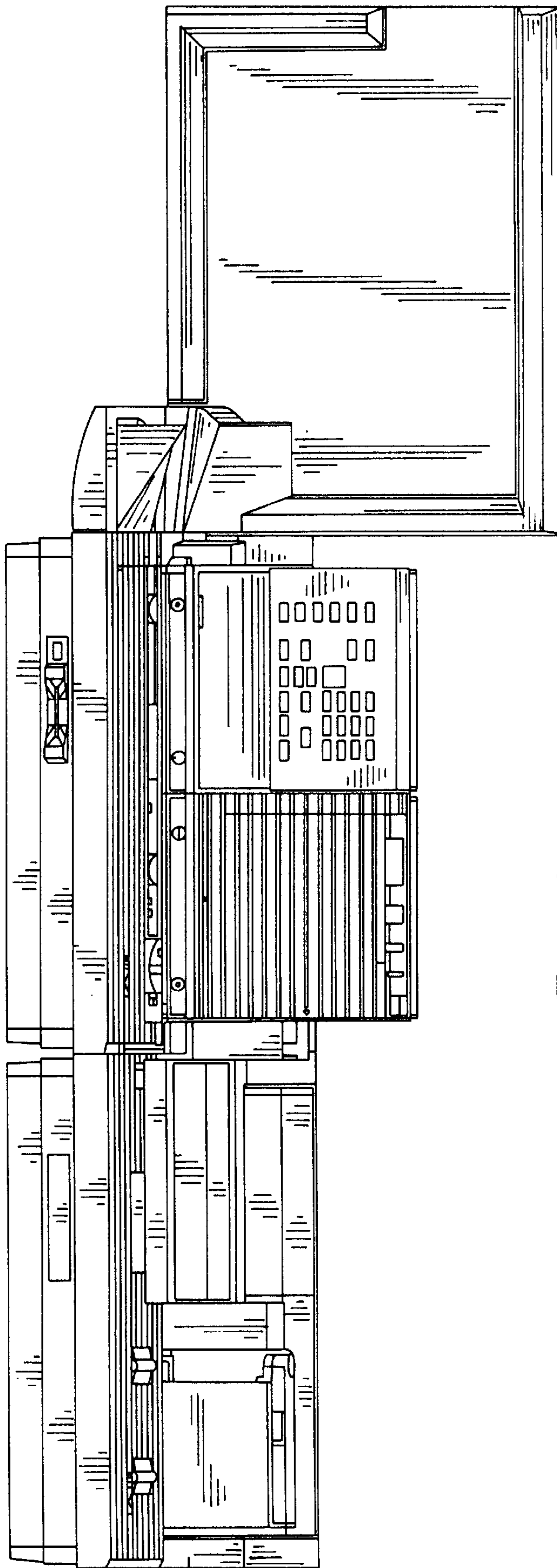


Fig. 14

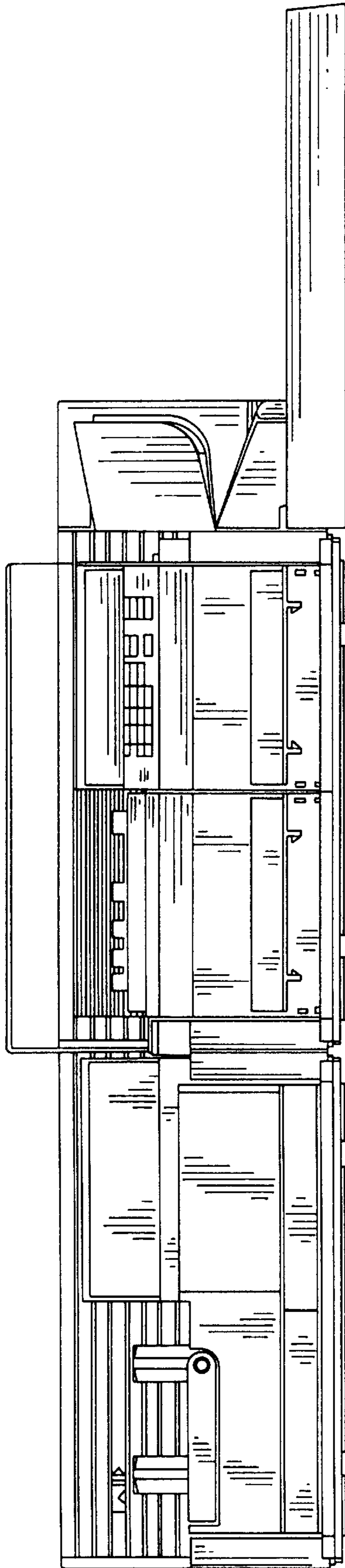


Fig. 15

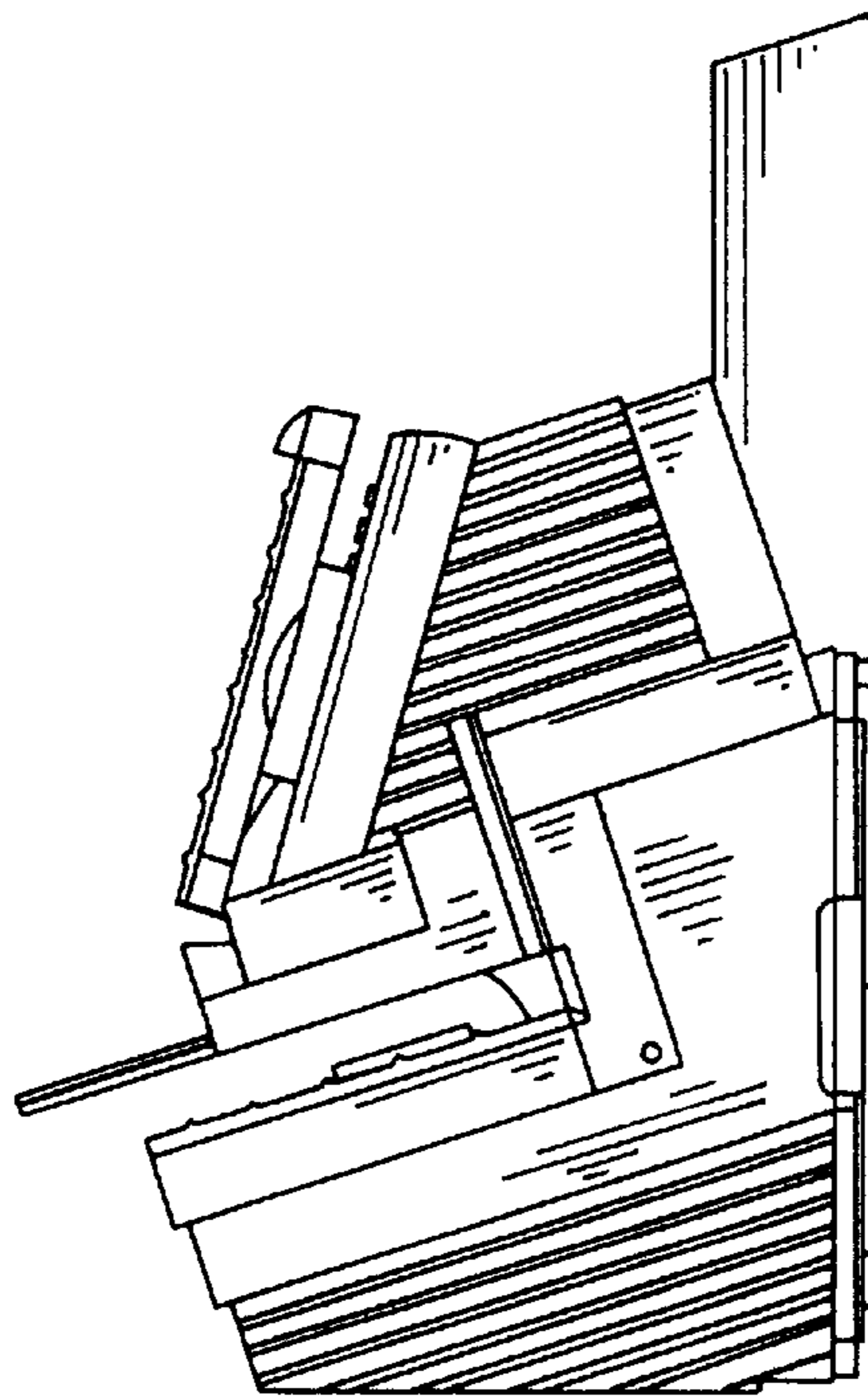


Fig. 16

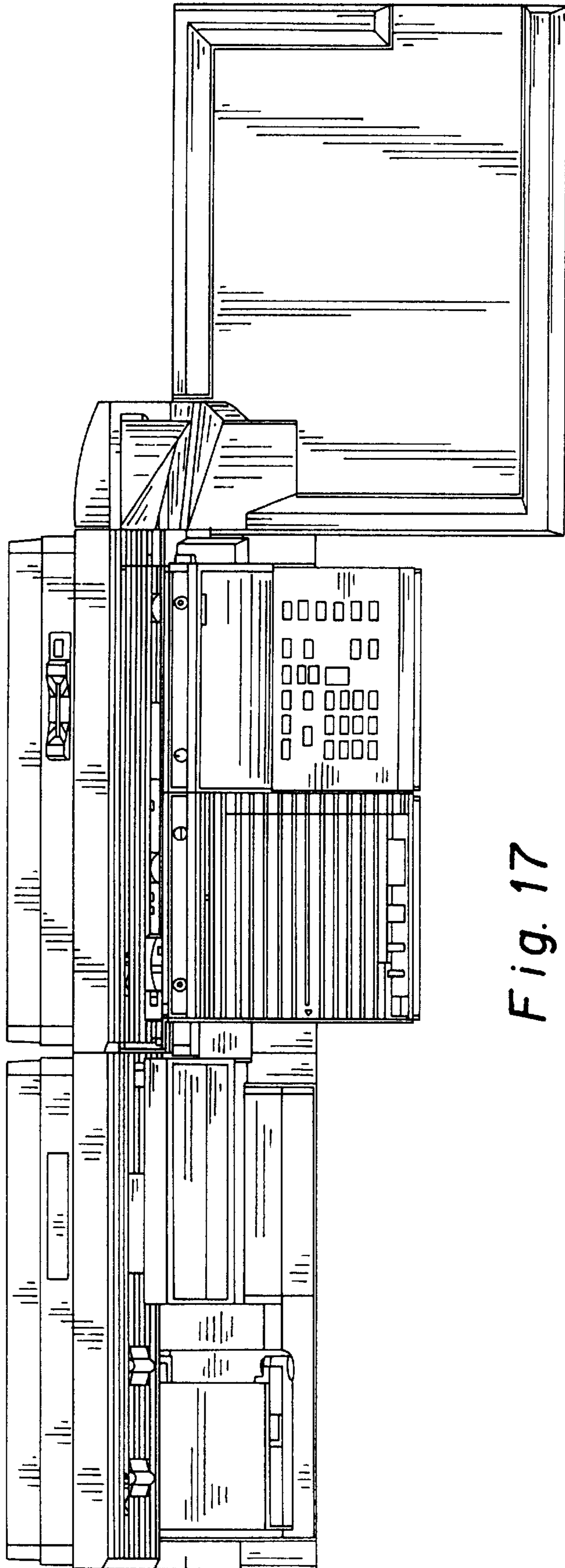


Fig. 17

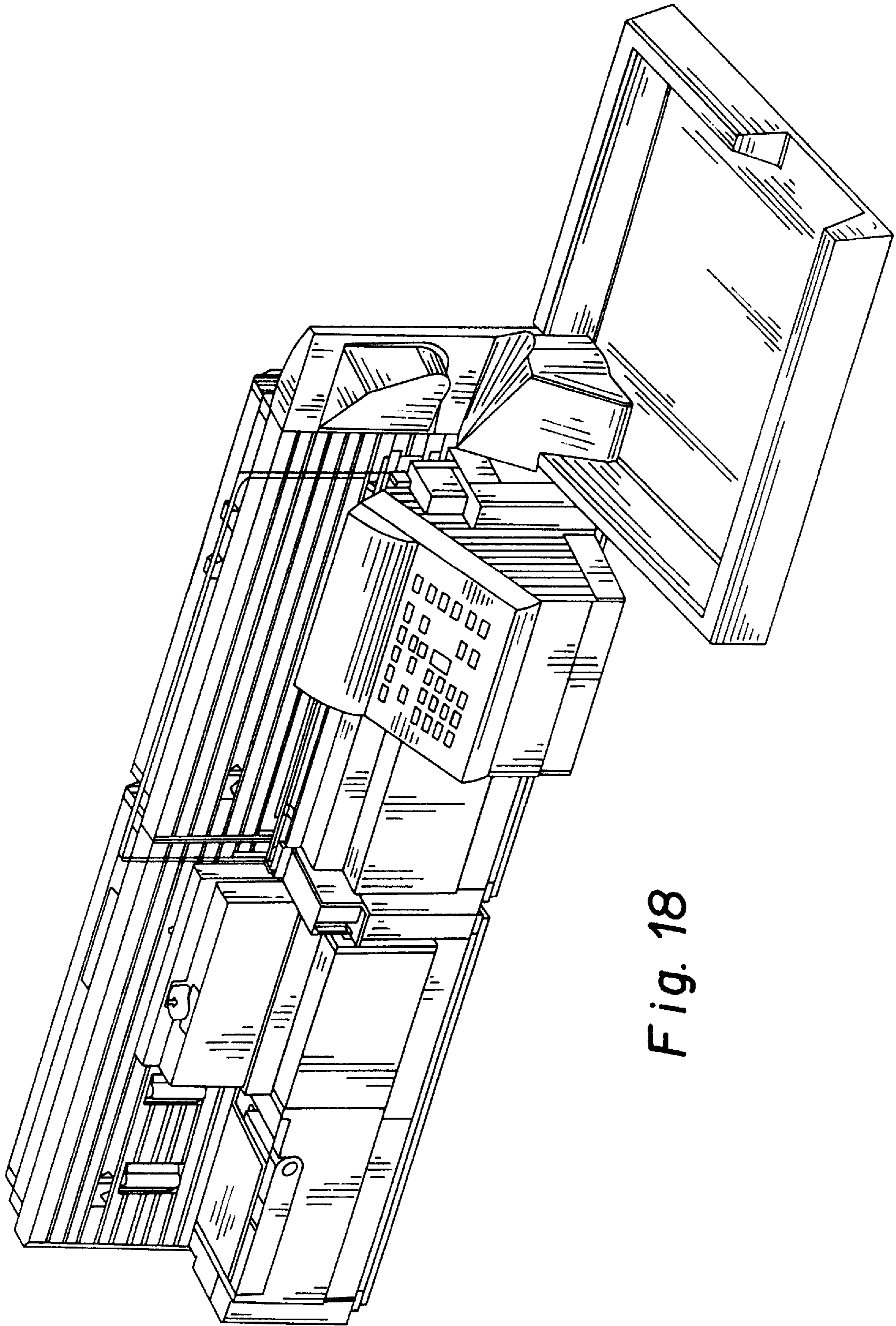


Fig. 18

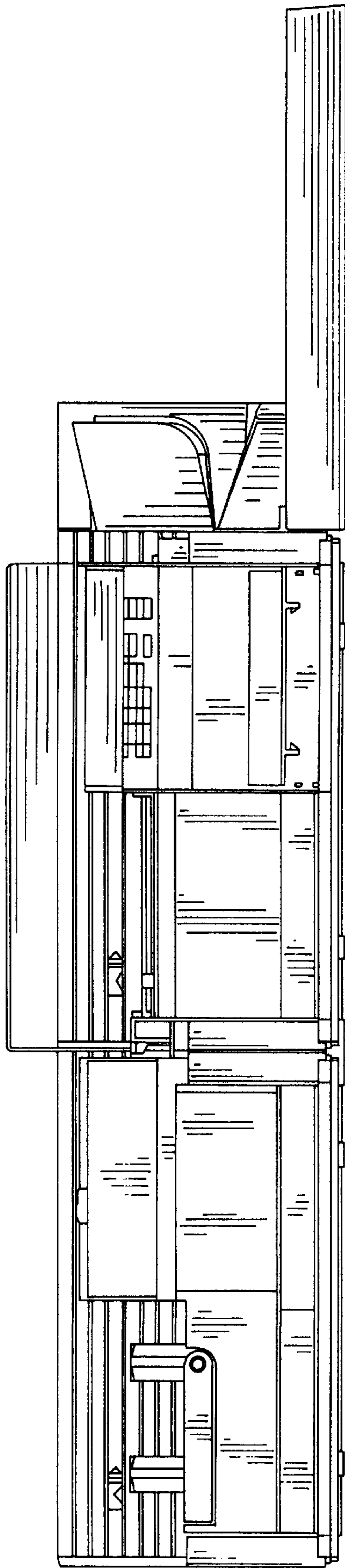


Fig. 19

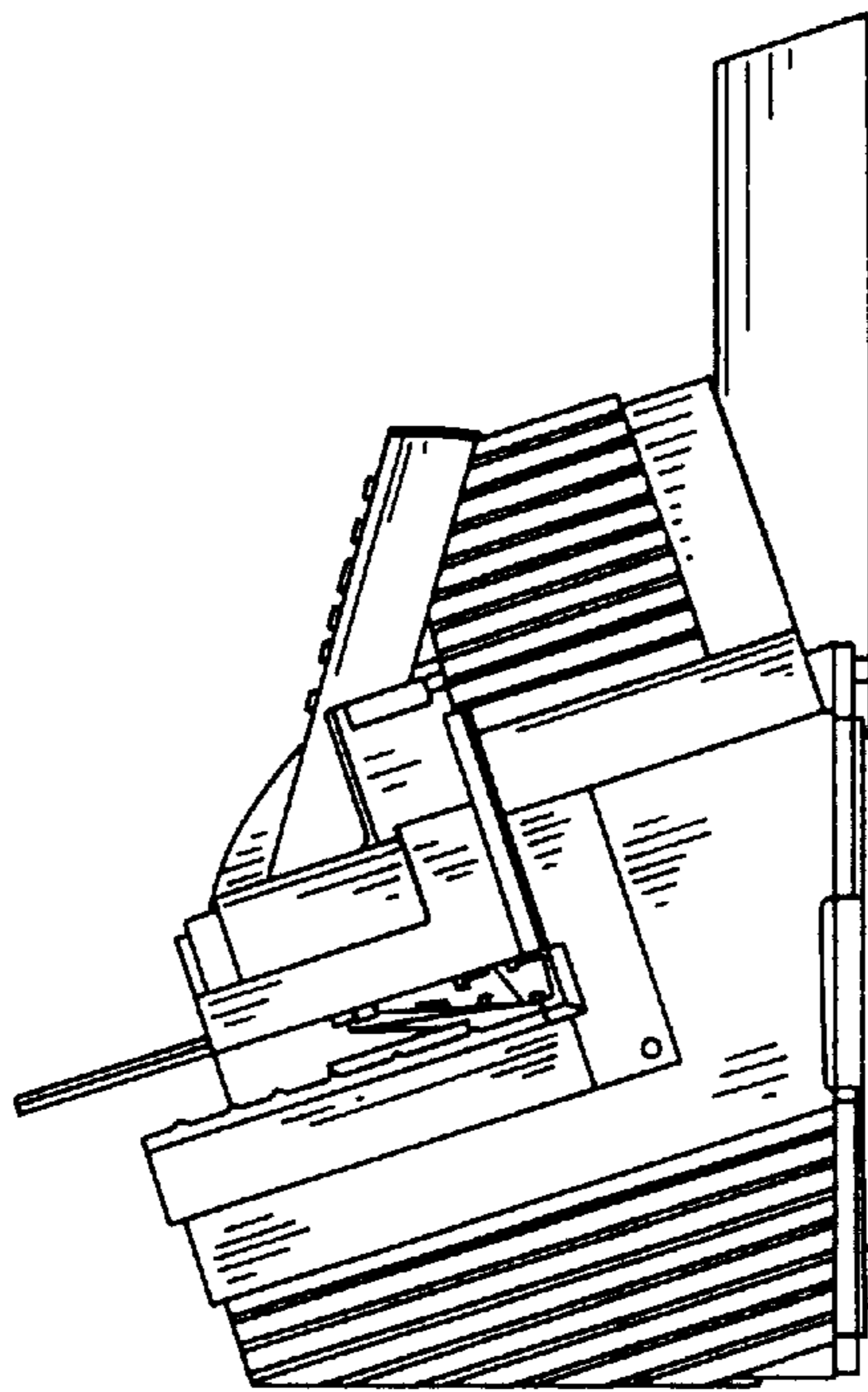


Fig. 20

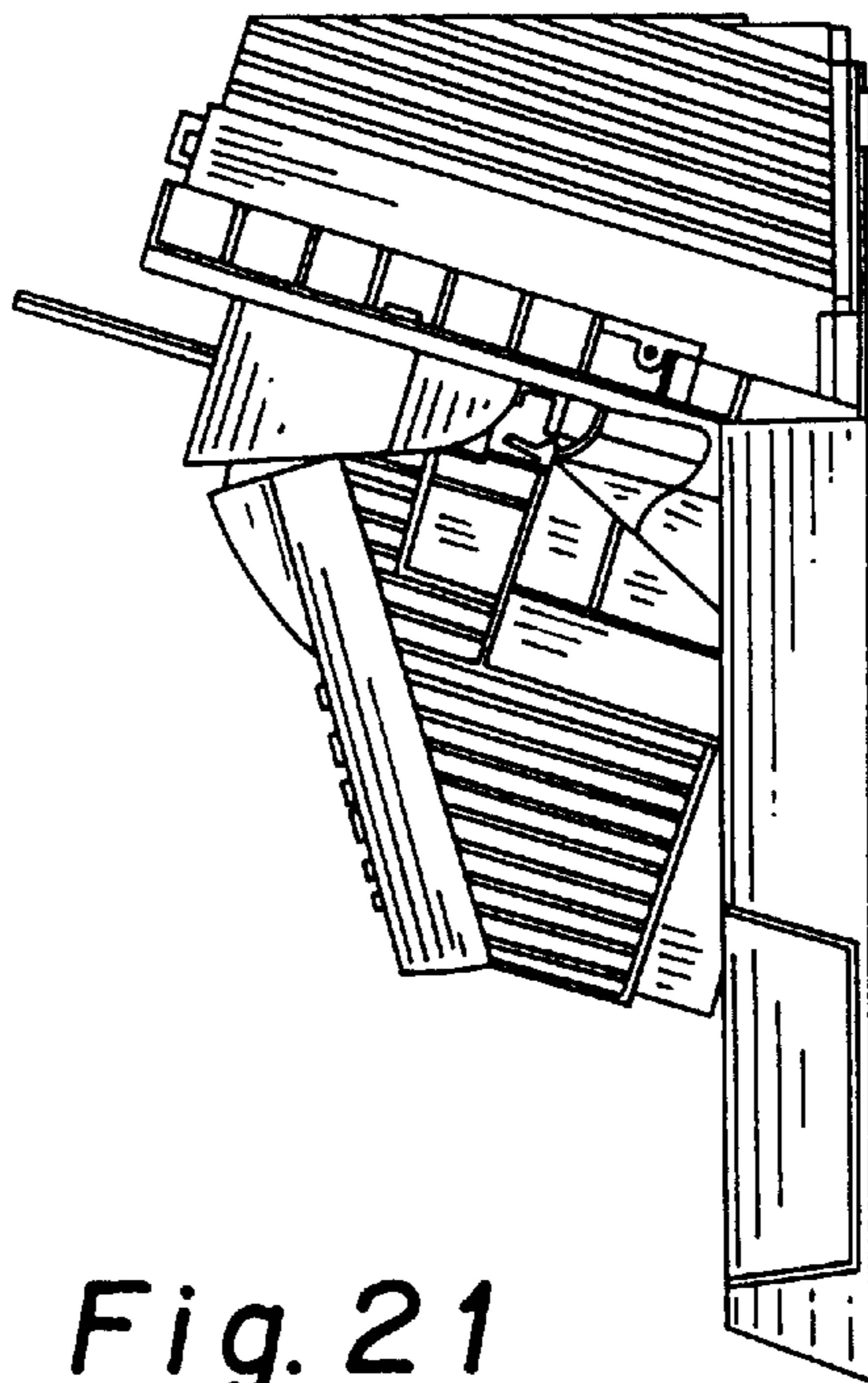


Fig. 21

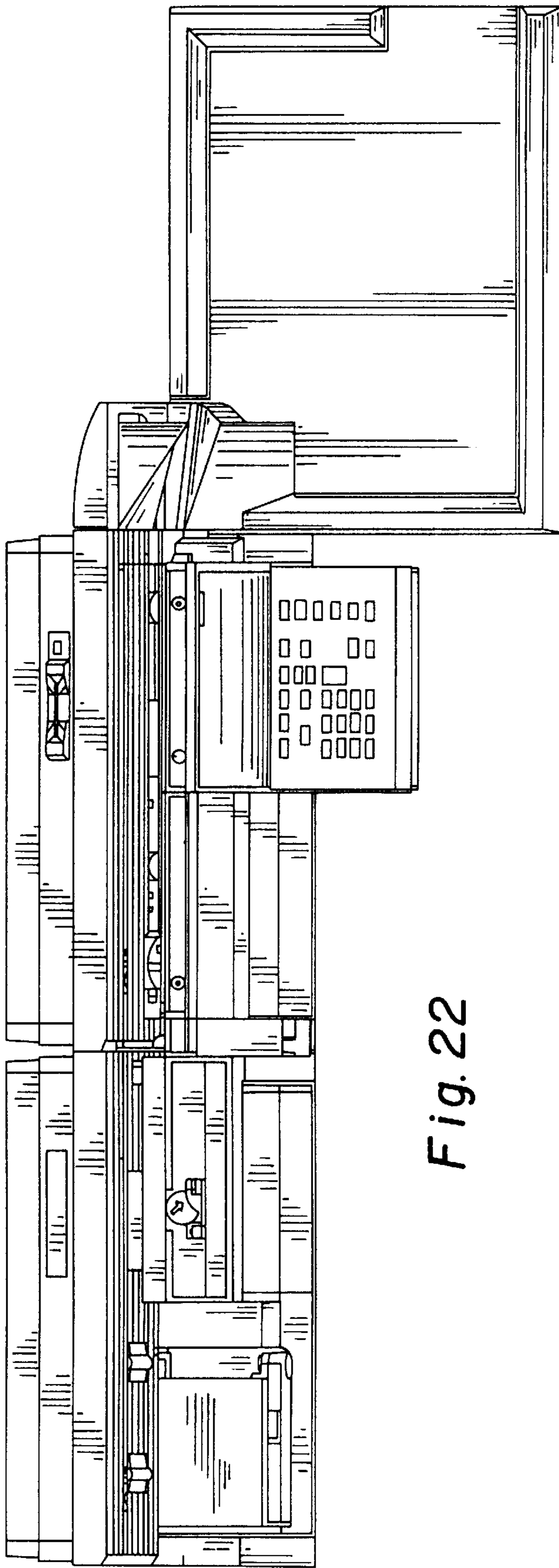


Fig. 22

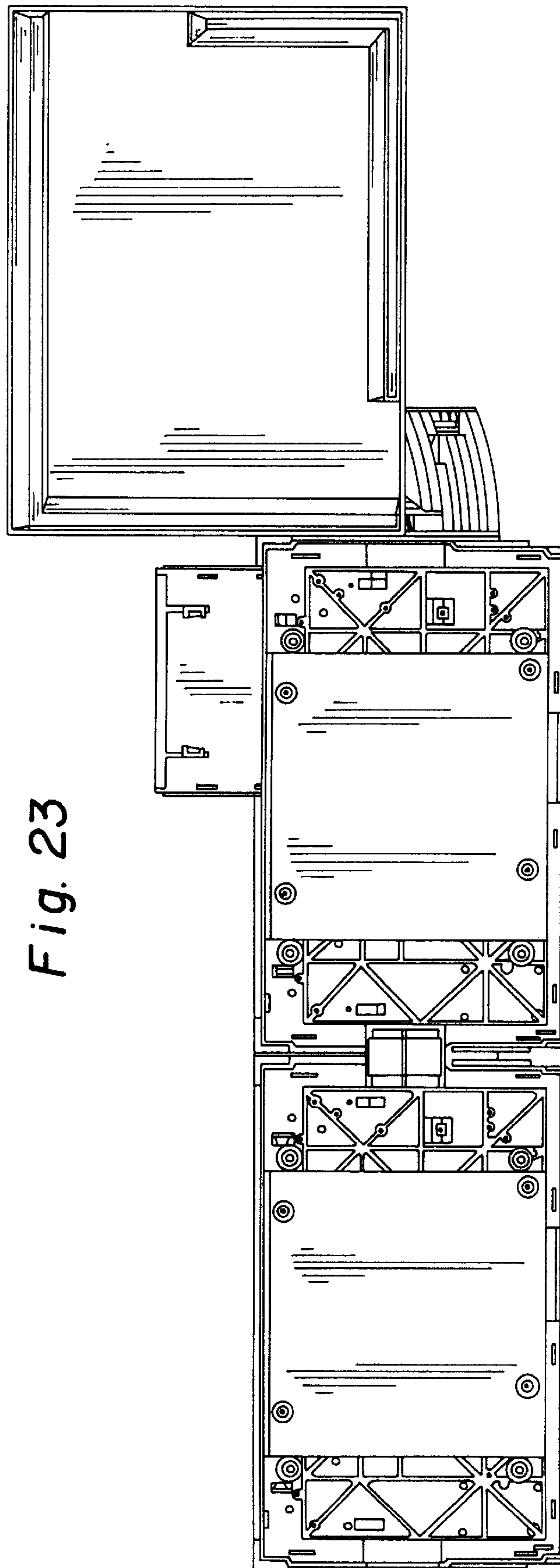


Fig. 23

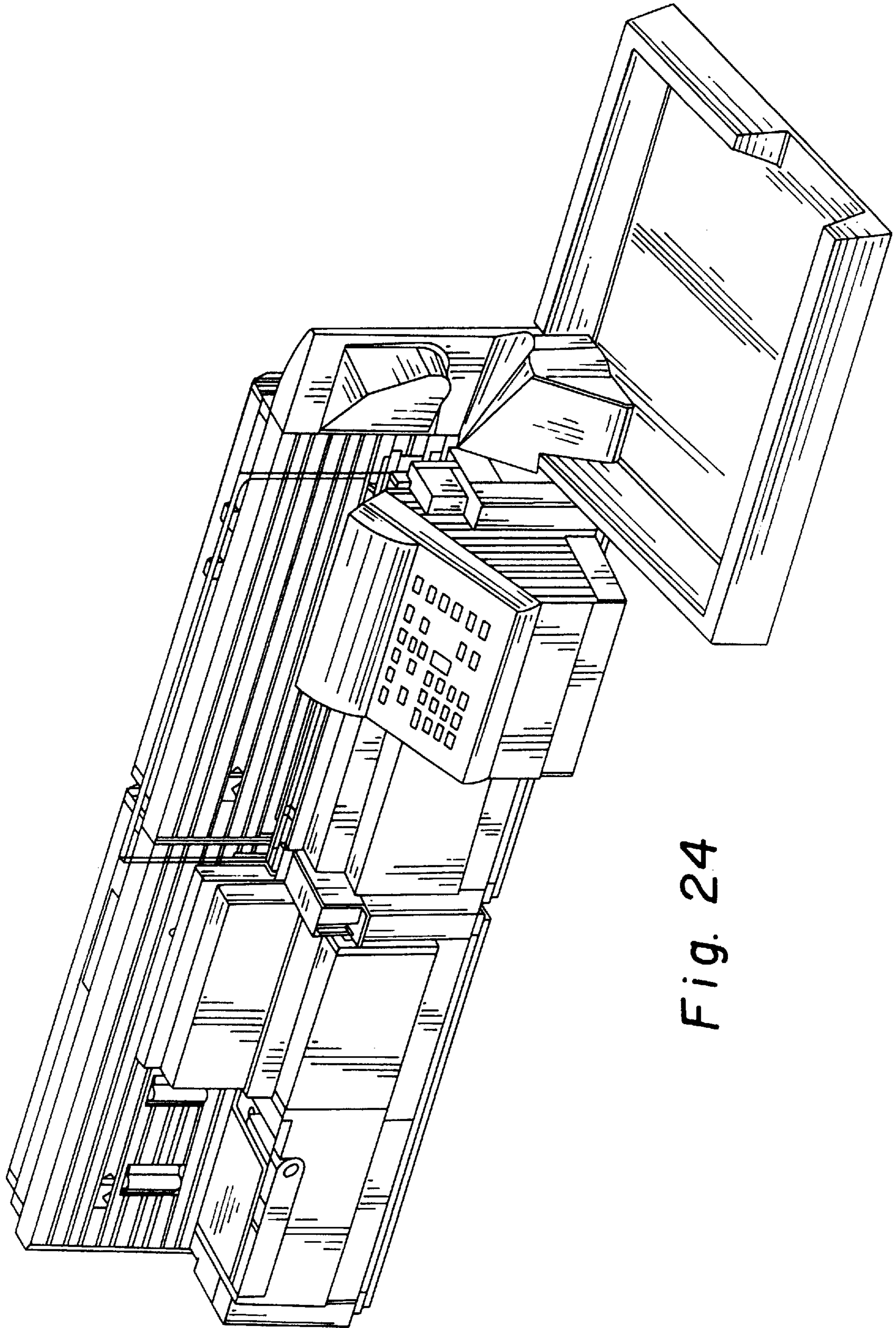


Fig. 24

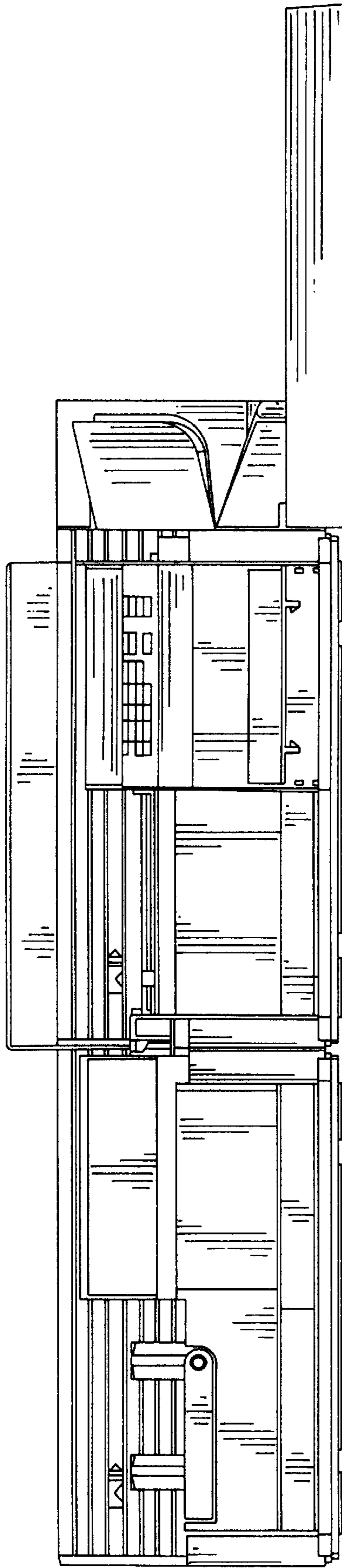


Fig. 25

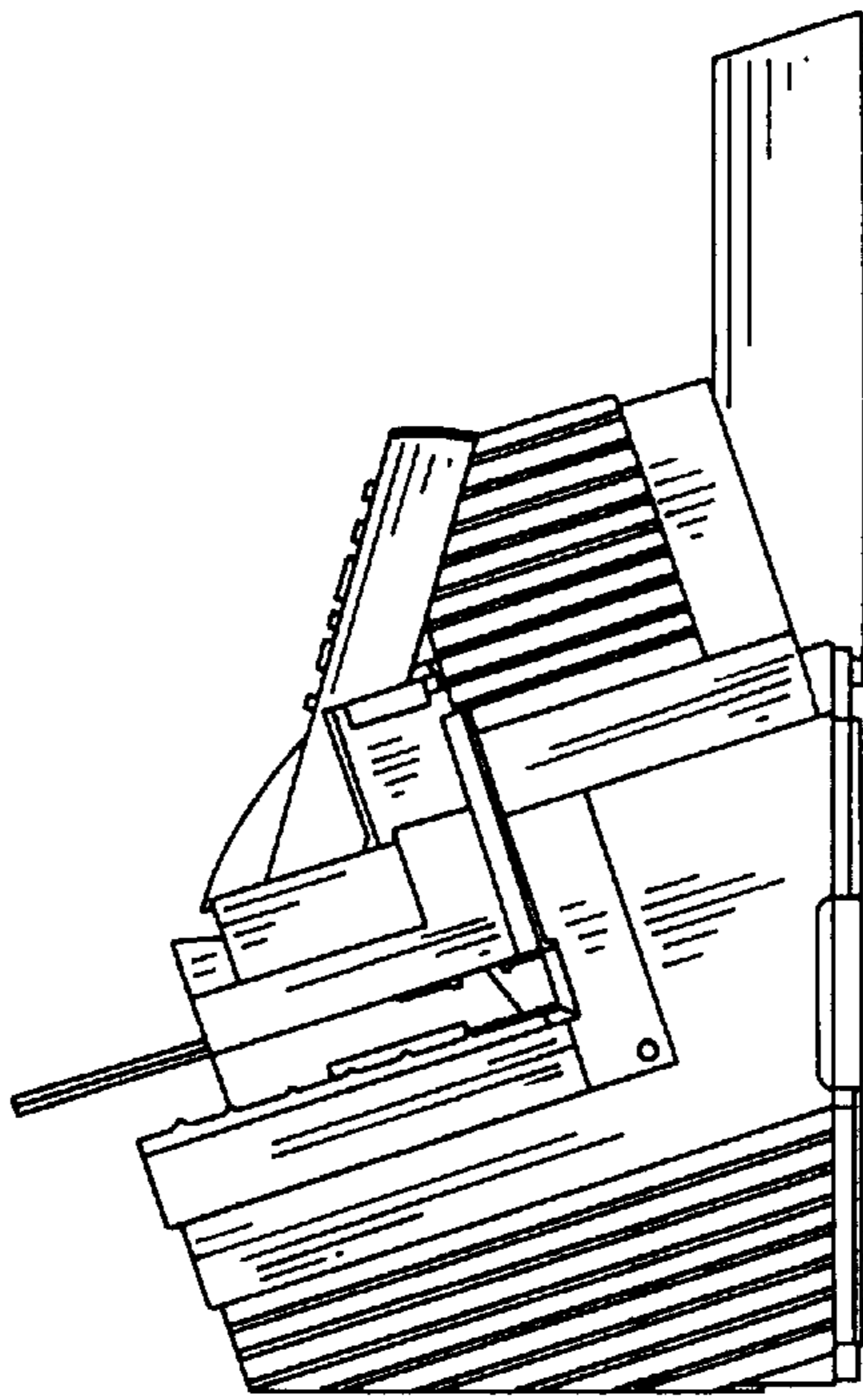


Fig. 26

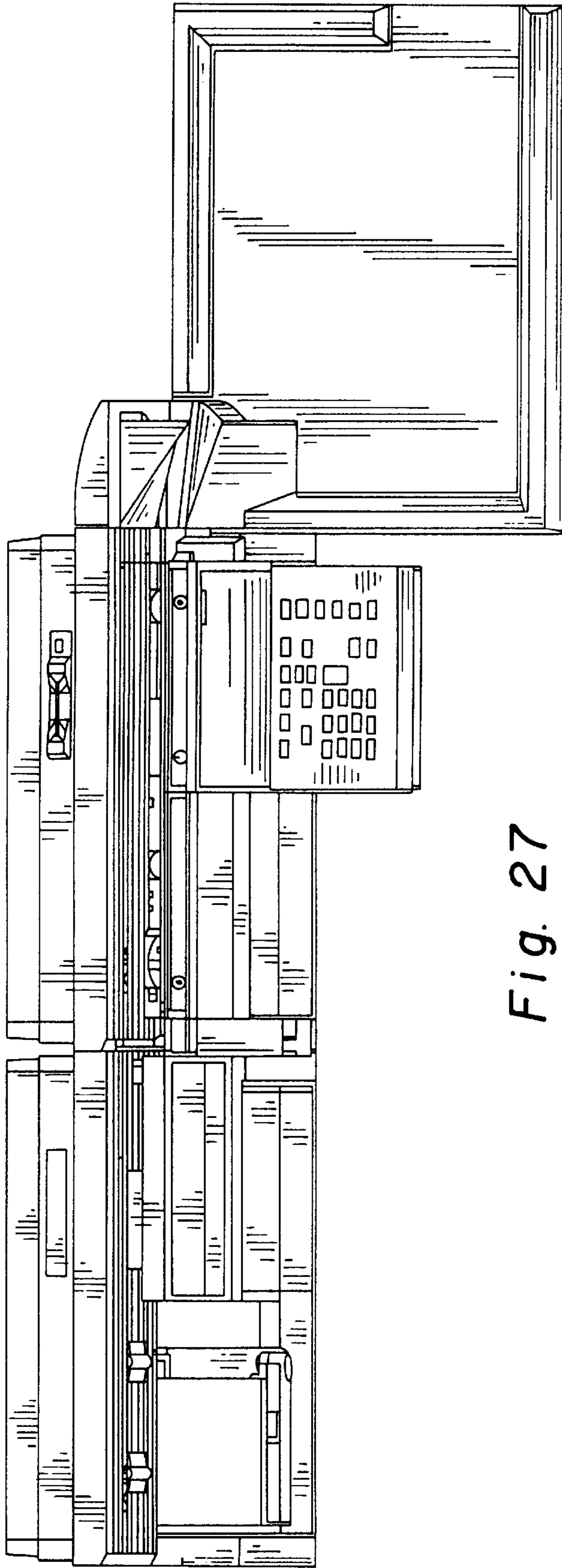


Fig. 27

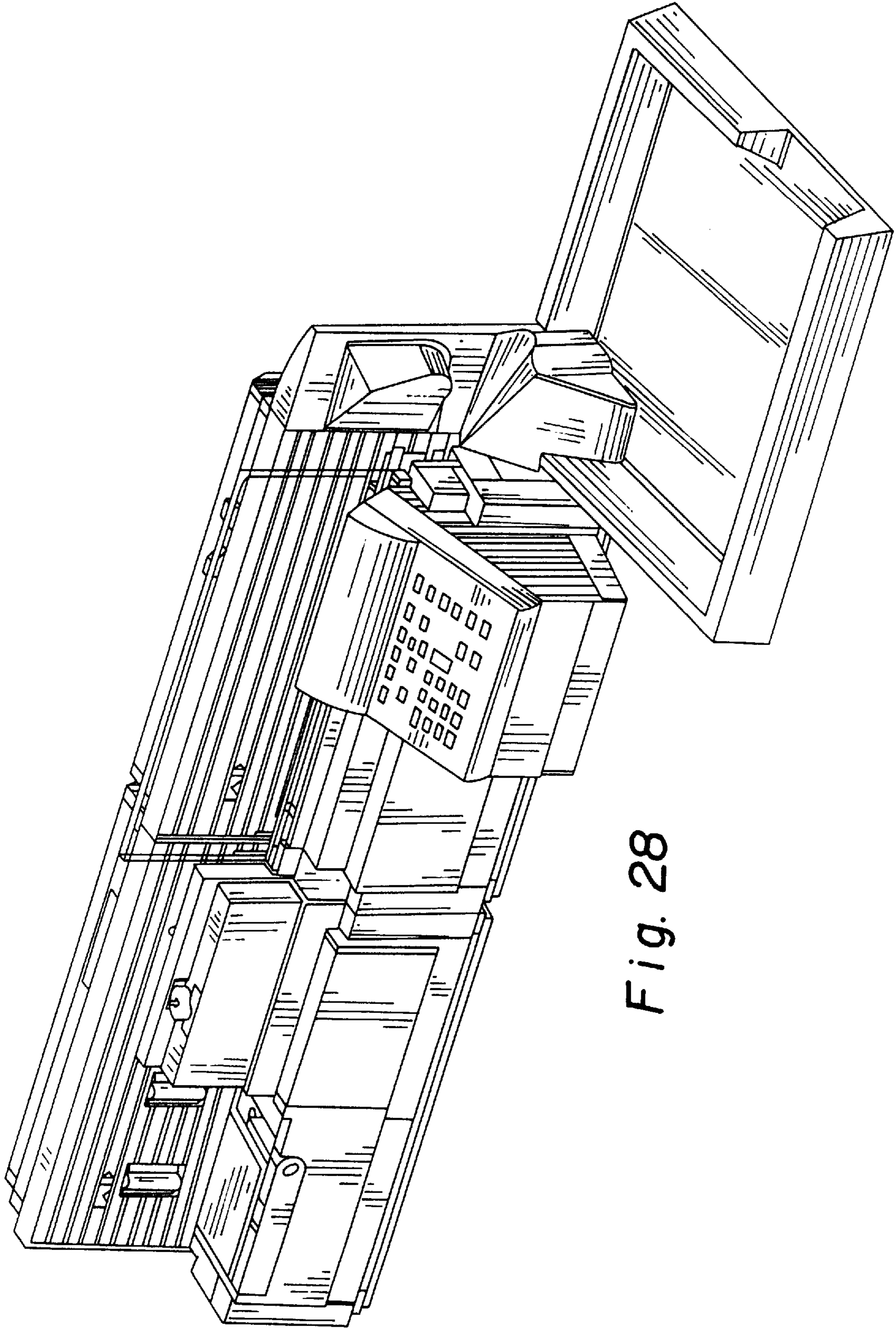


Fig. 28

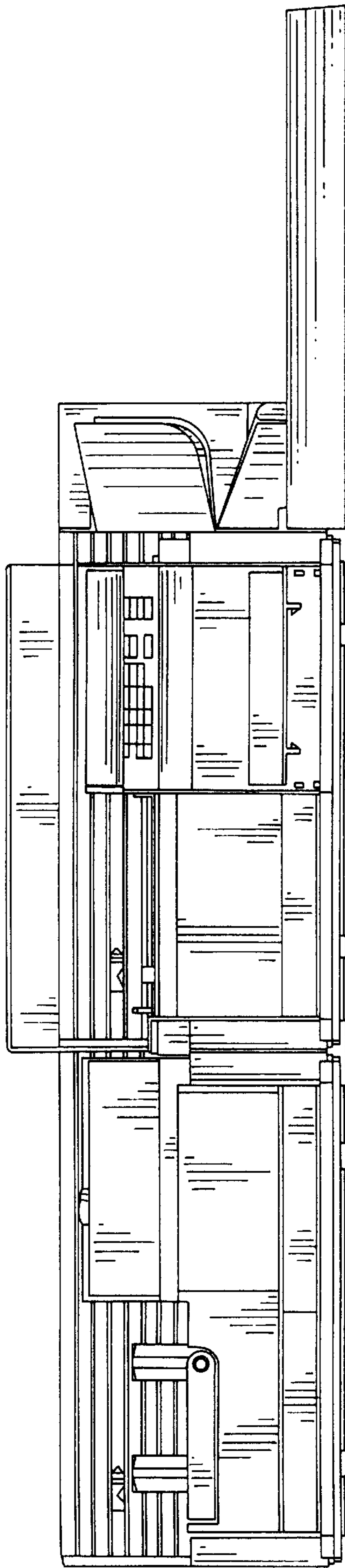


Fig. 29

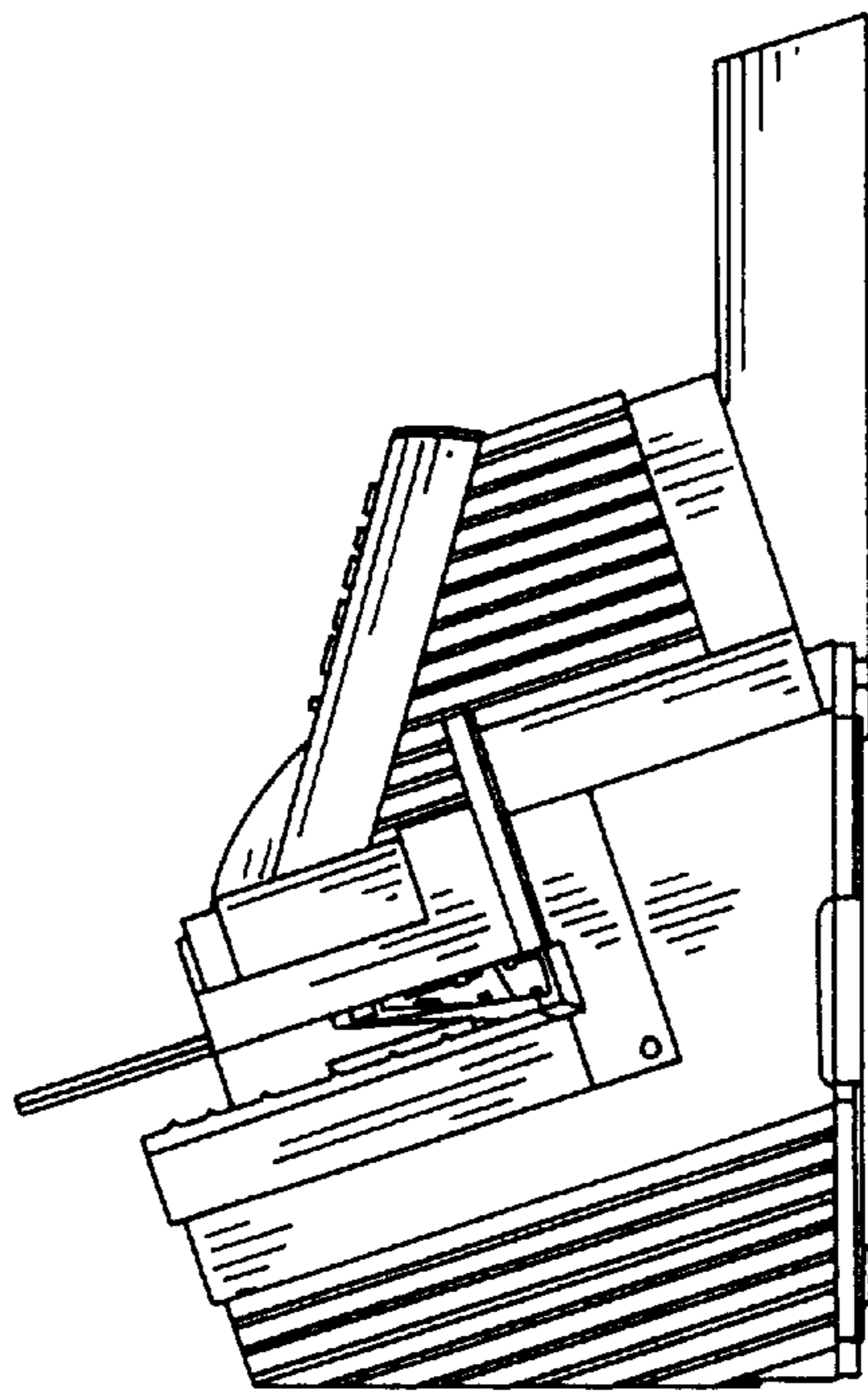


Fig. 30

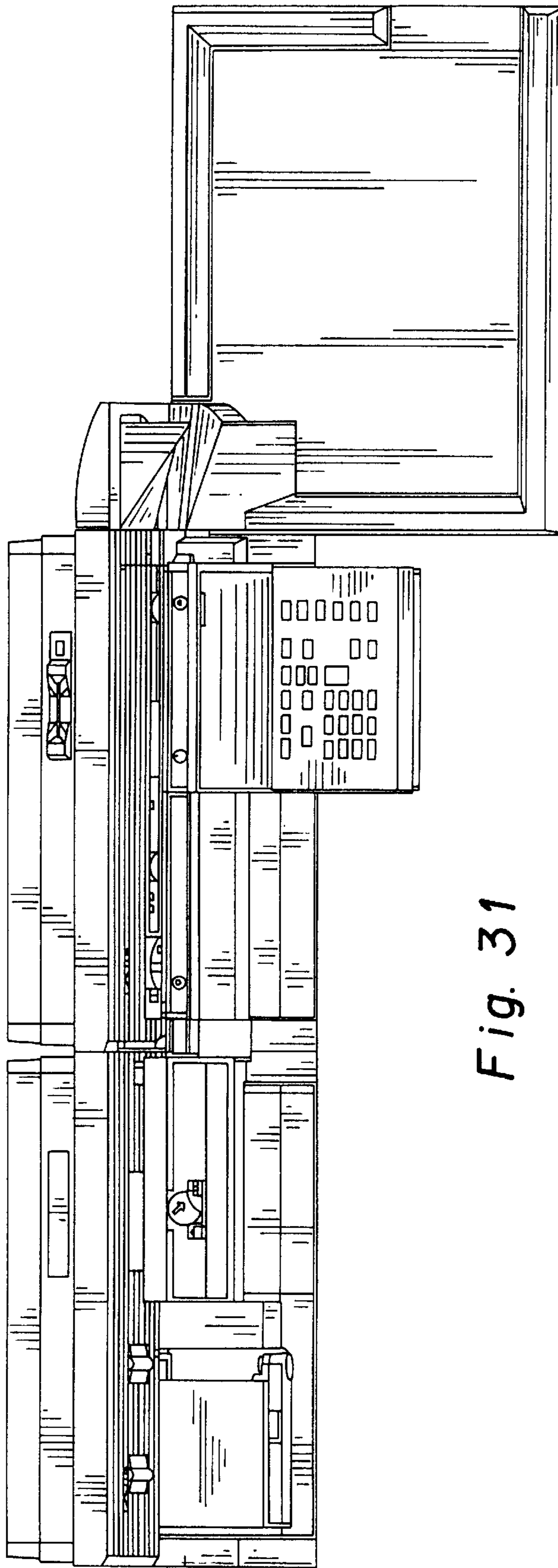


Fig. 31

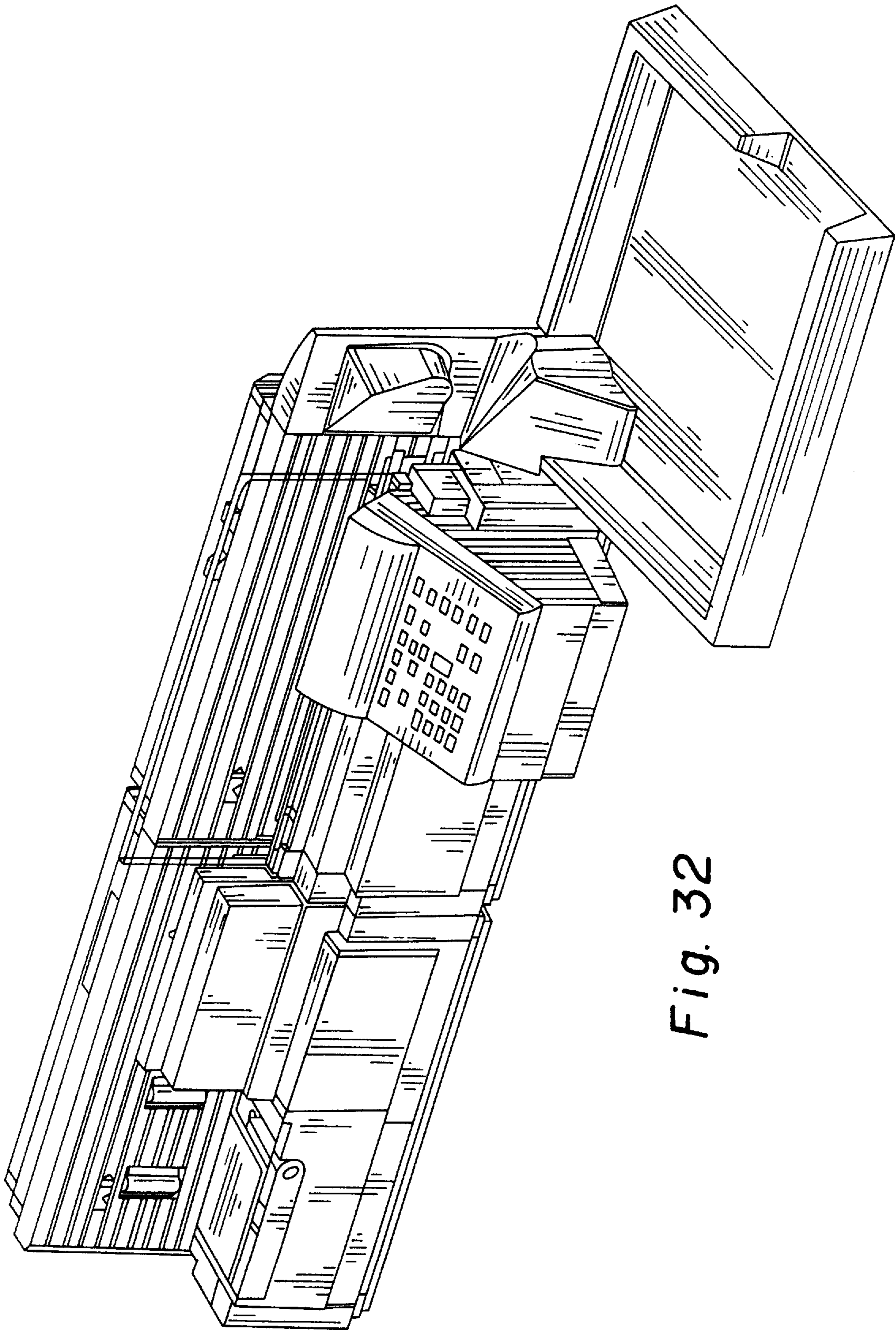


Fig. 32

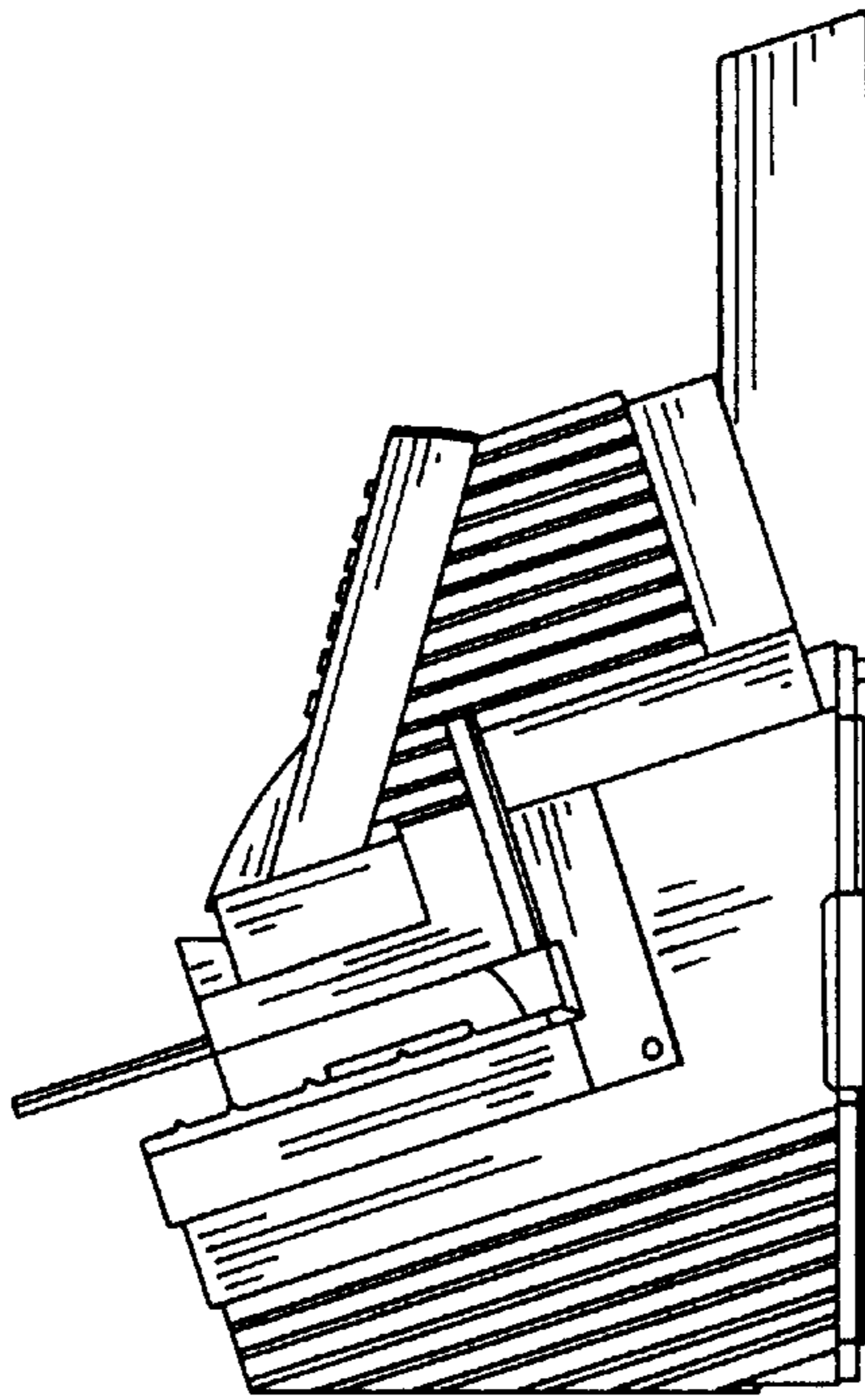


Fig. 33

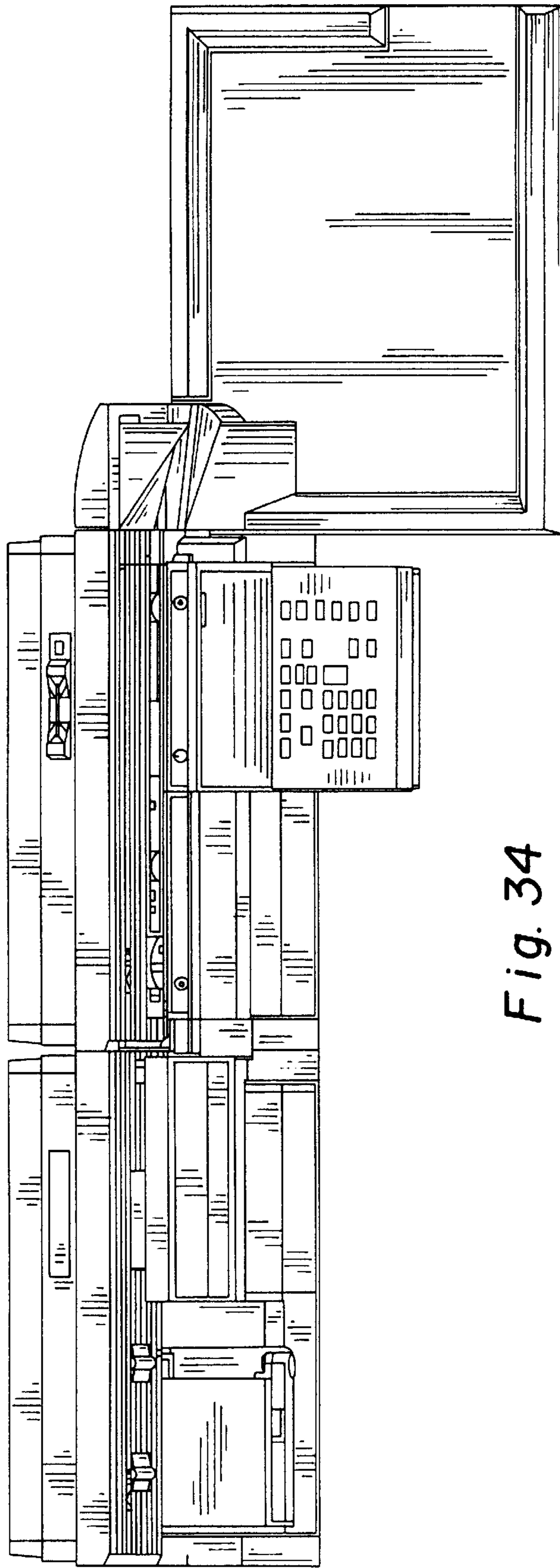


Fig. 34

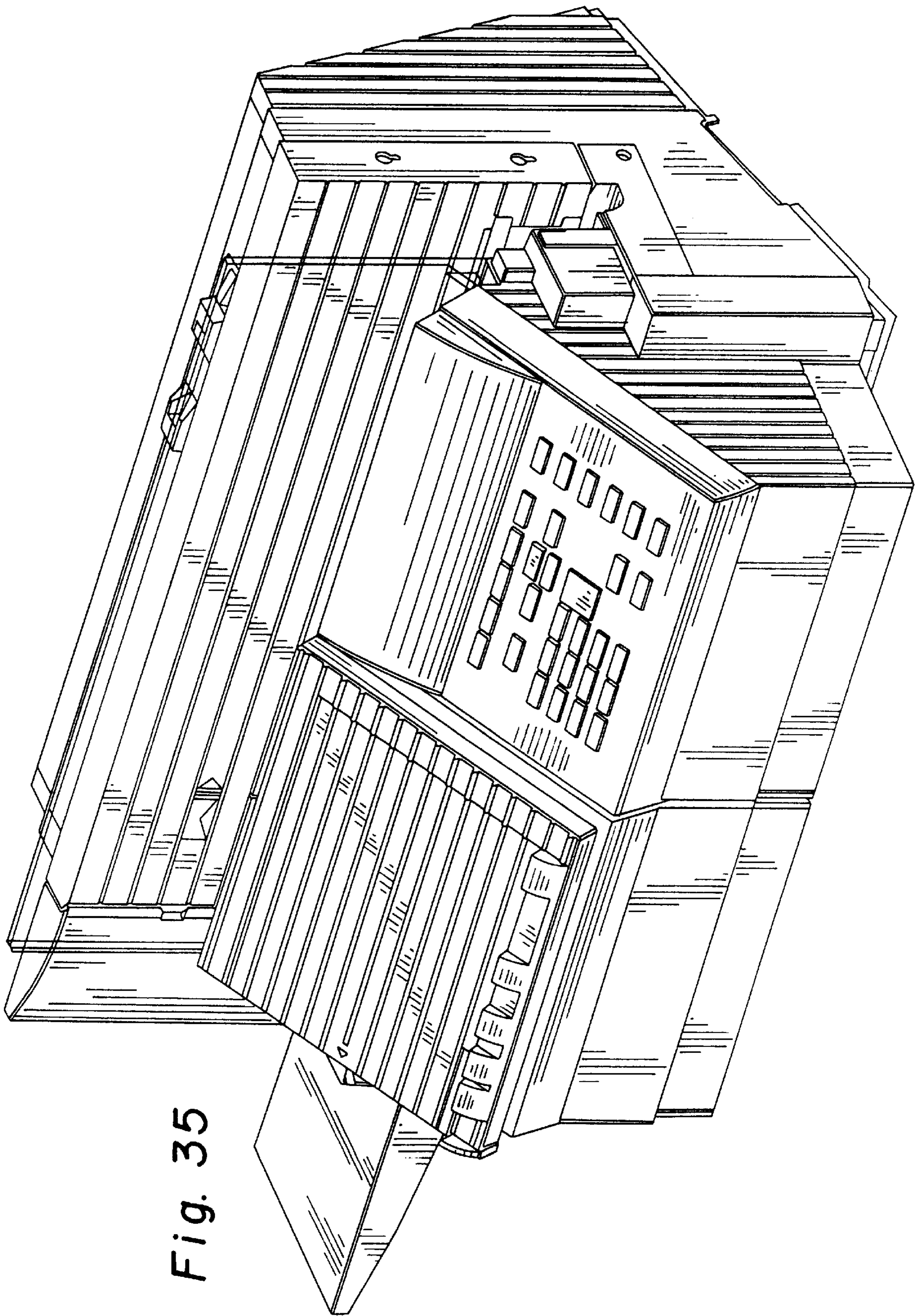


Fig. 35

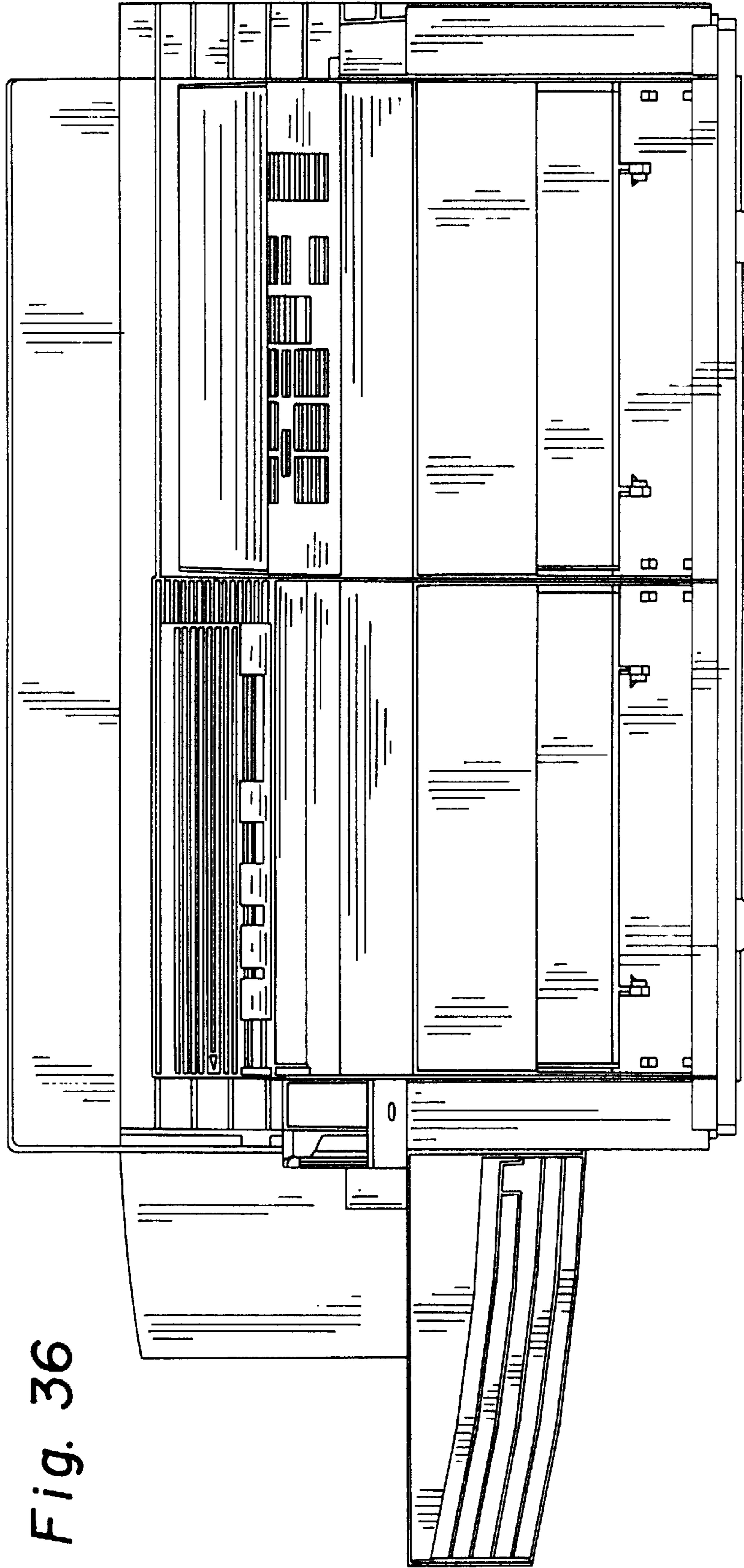


Fig. 36

Fig. 37

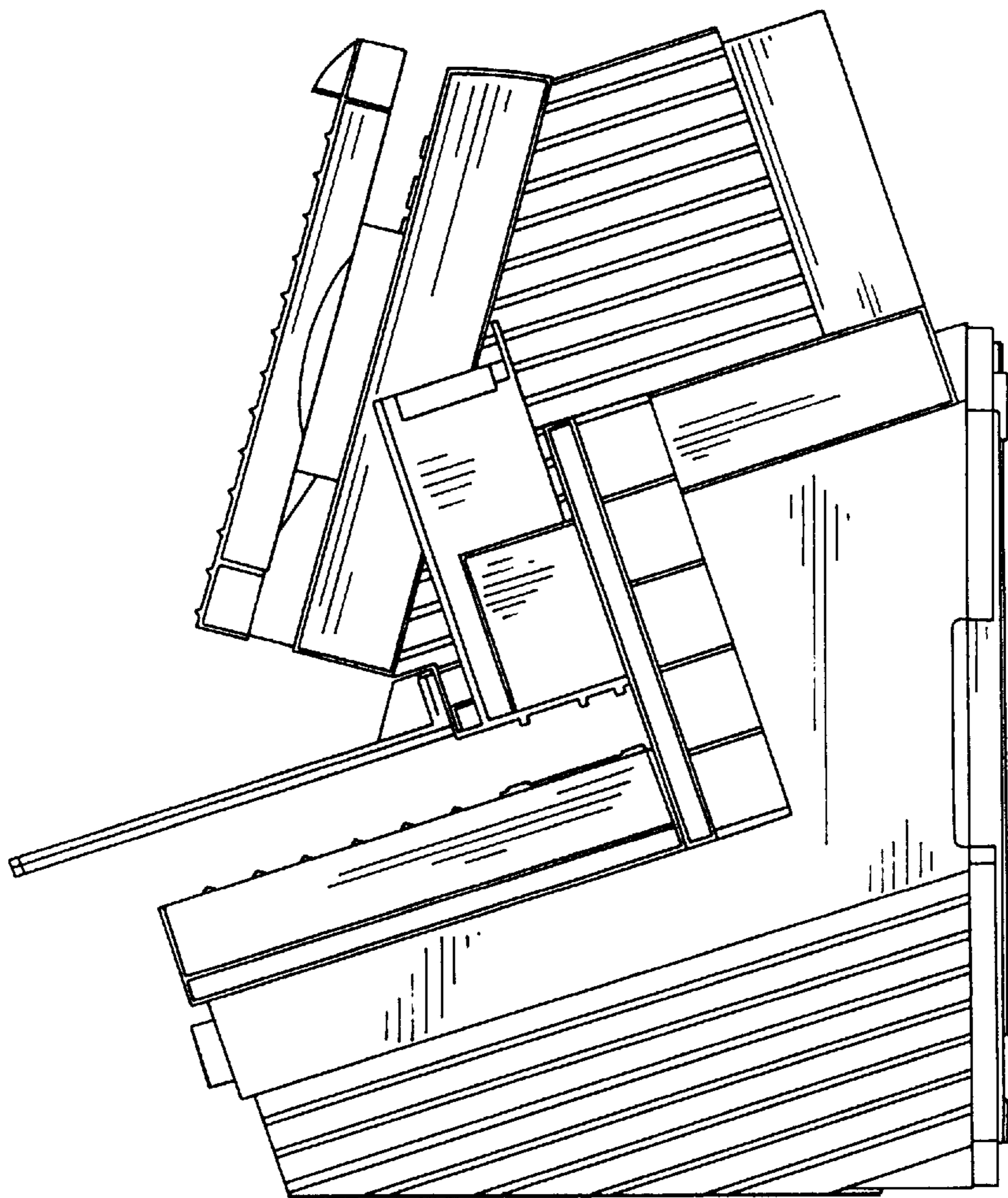


Fig. 38

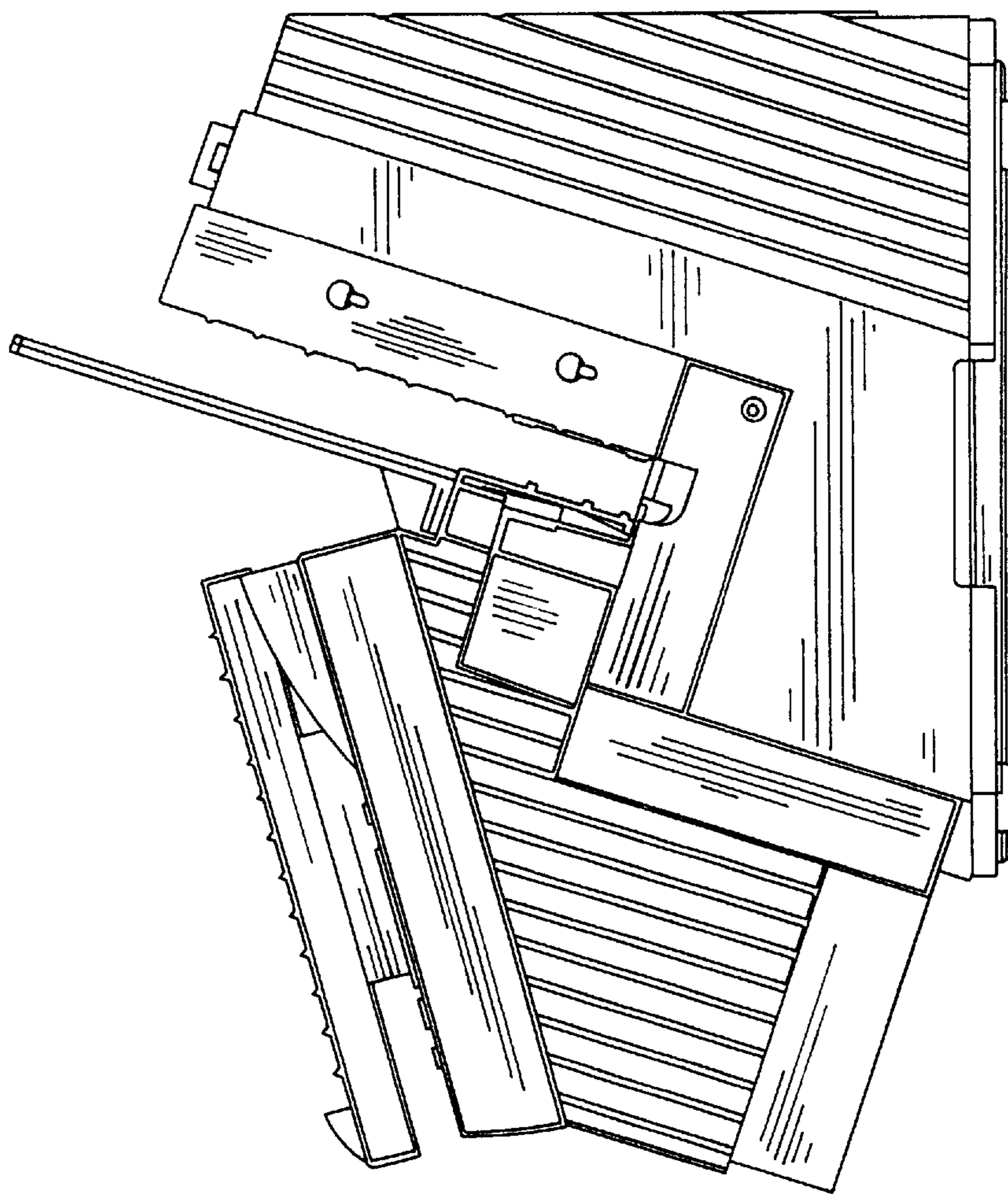


Fig. 39

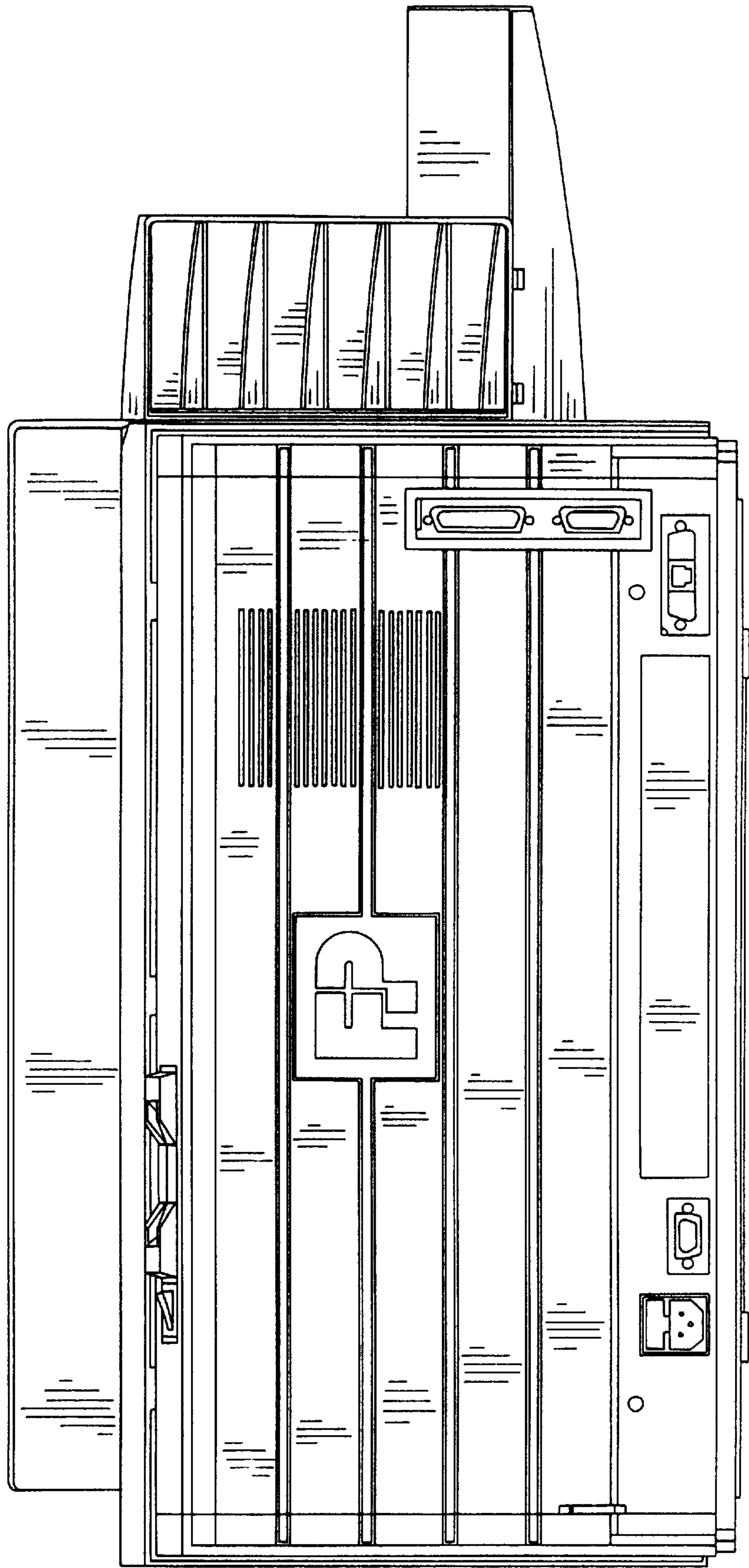
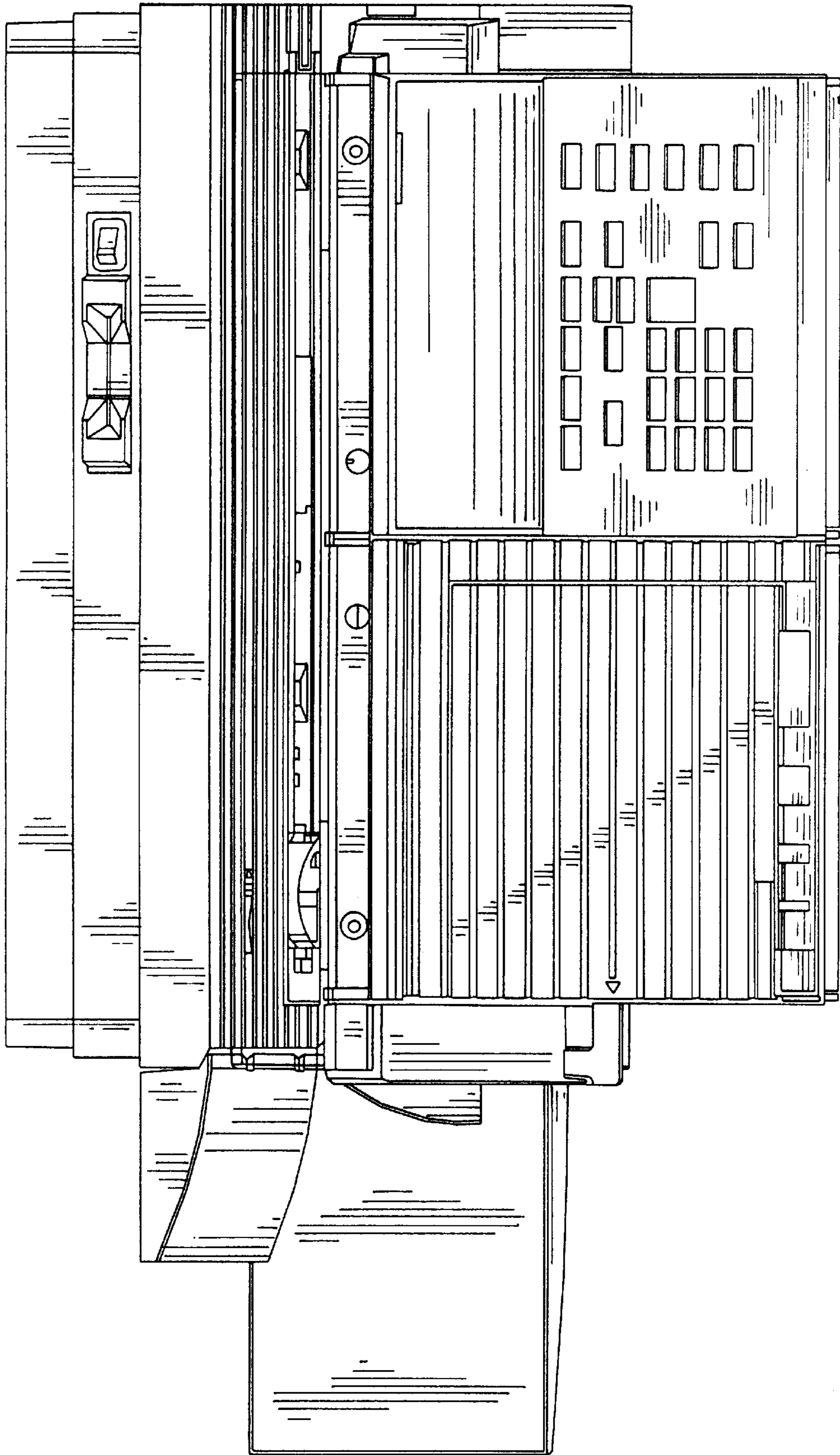


Fig. 40



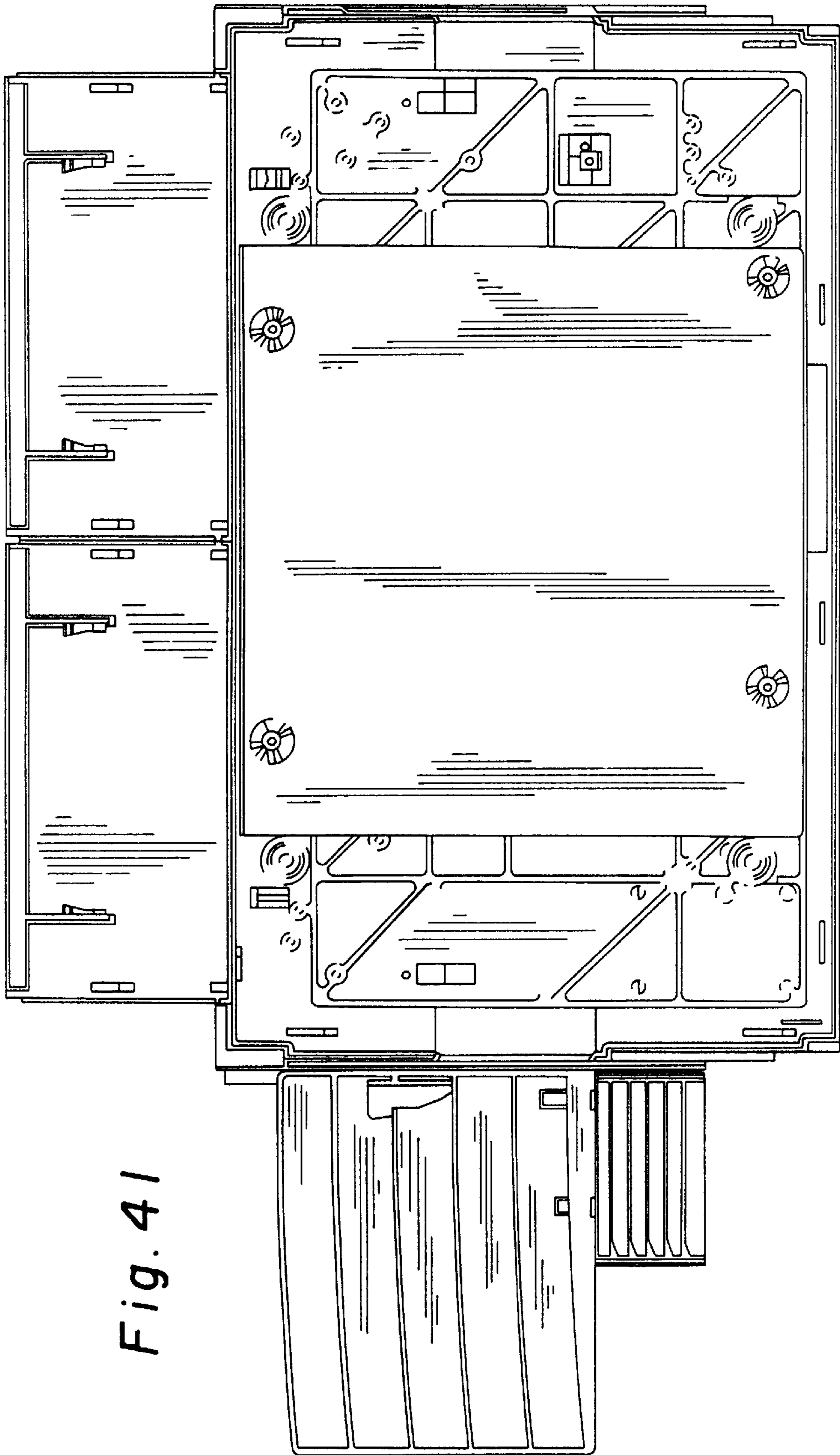


Fig. 41

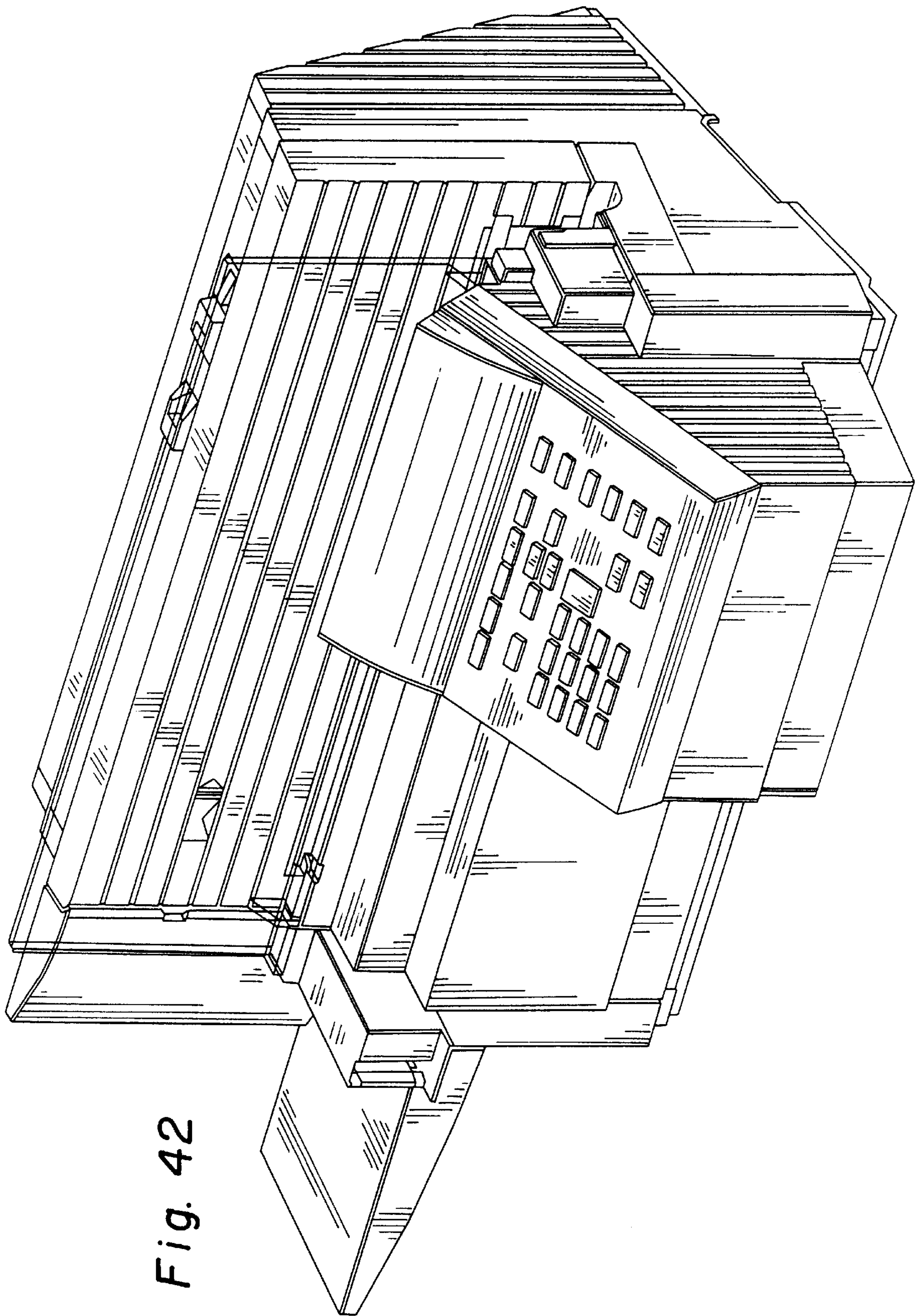


Fig. 42

Fig. 43

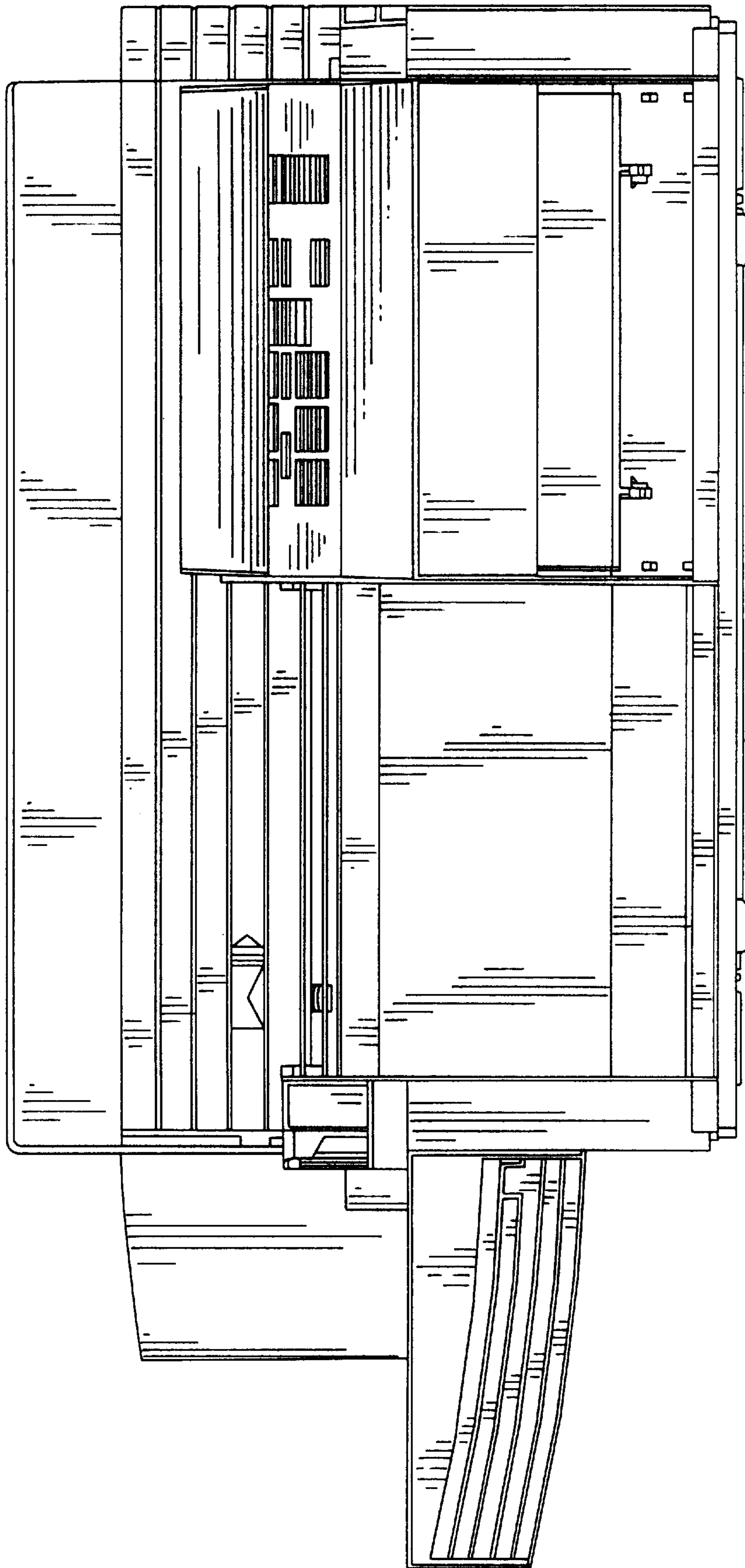


Fig. 44

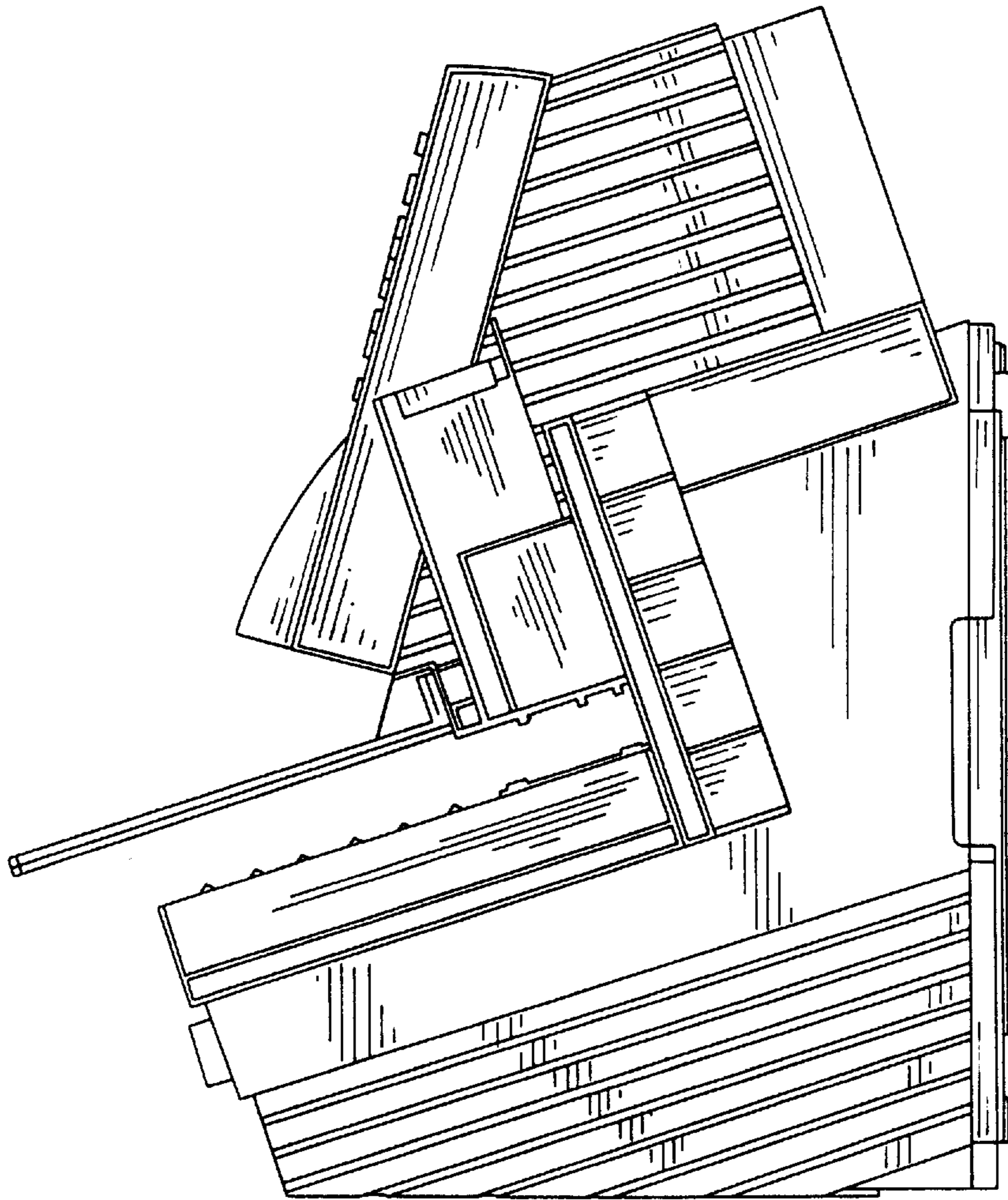
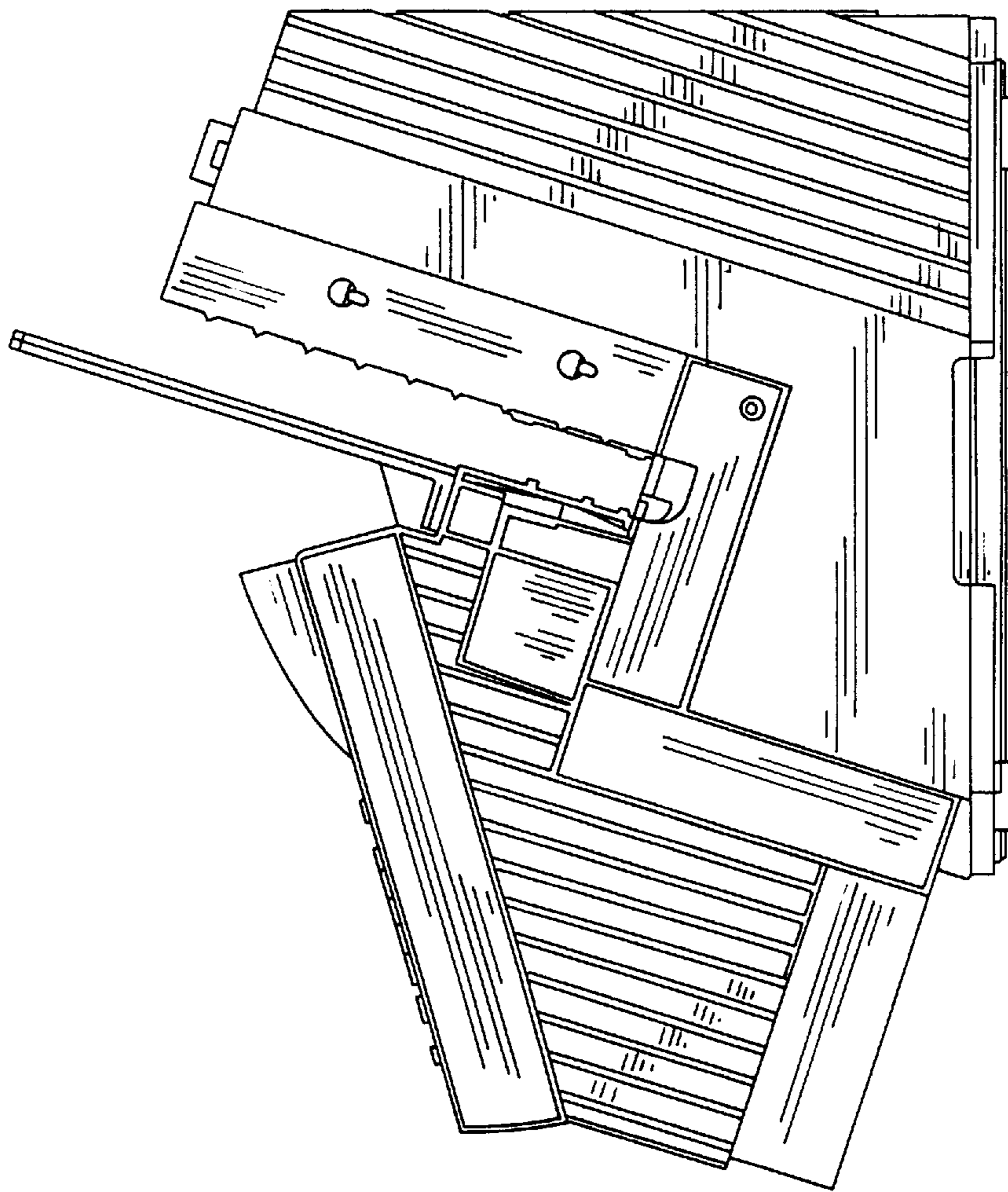


Fig. 45



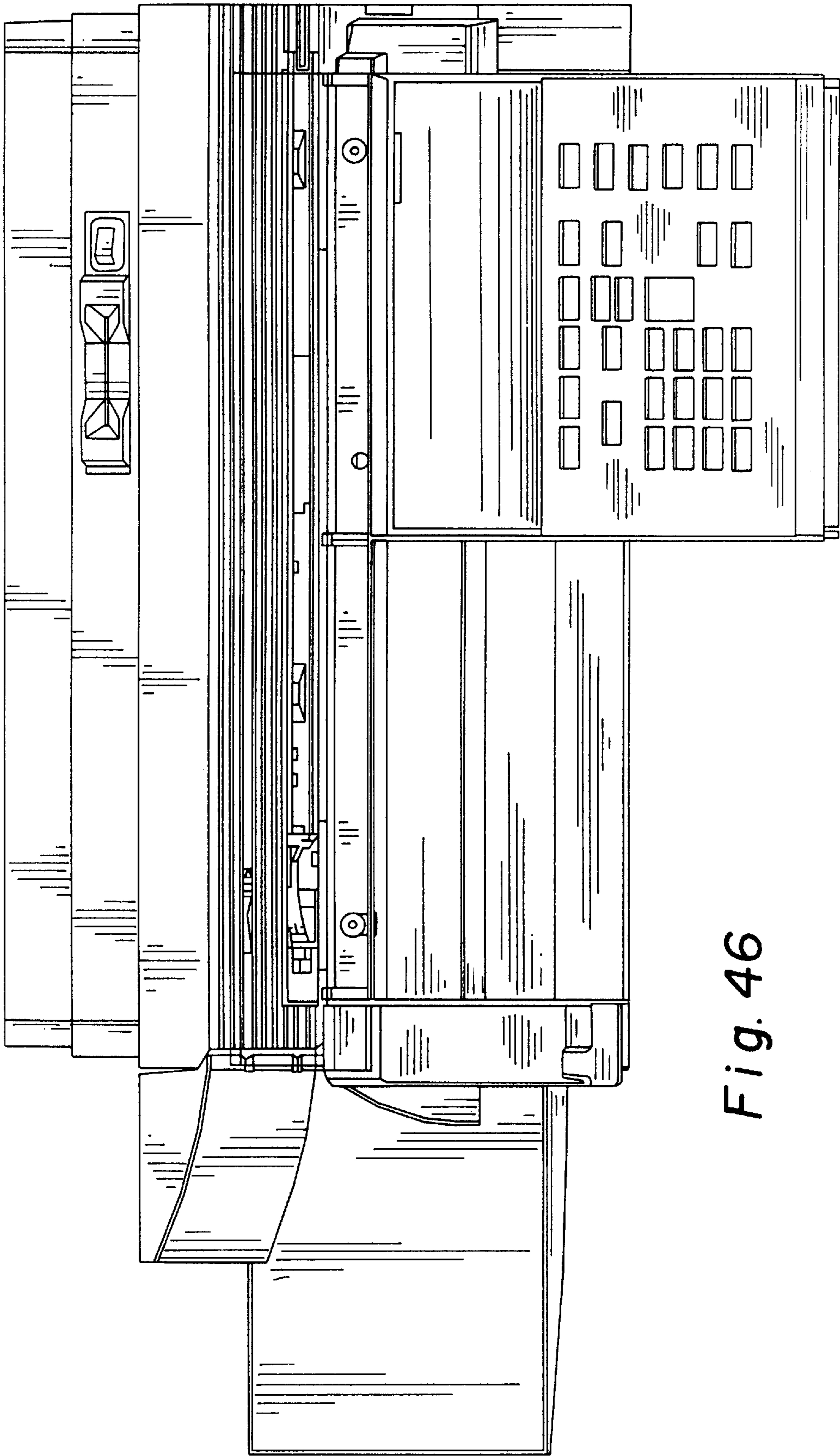


Fig. 46

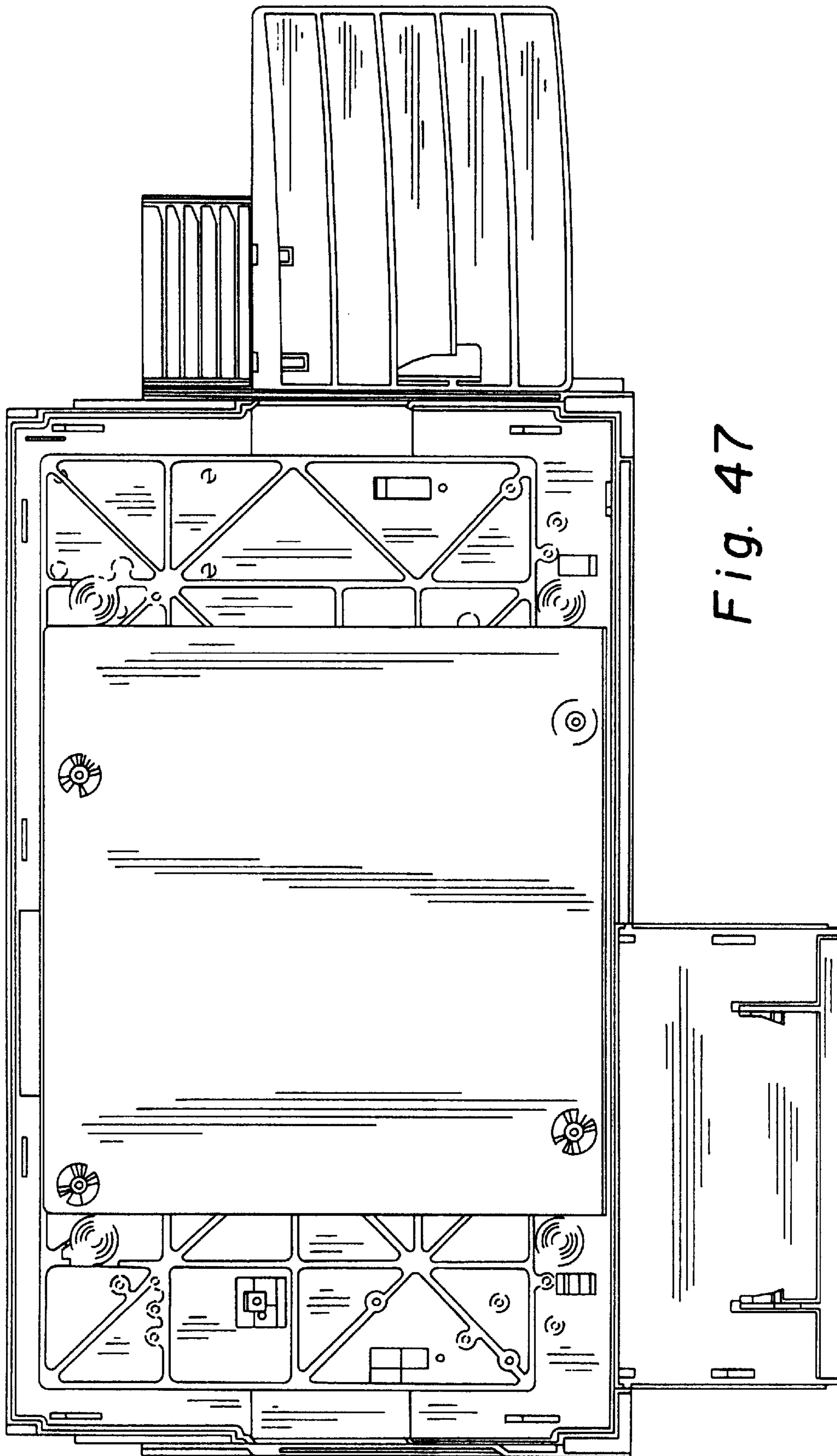


Fig. 47

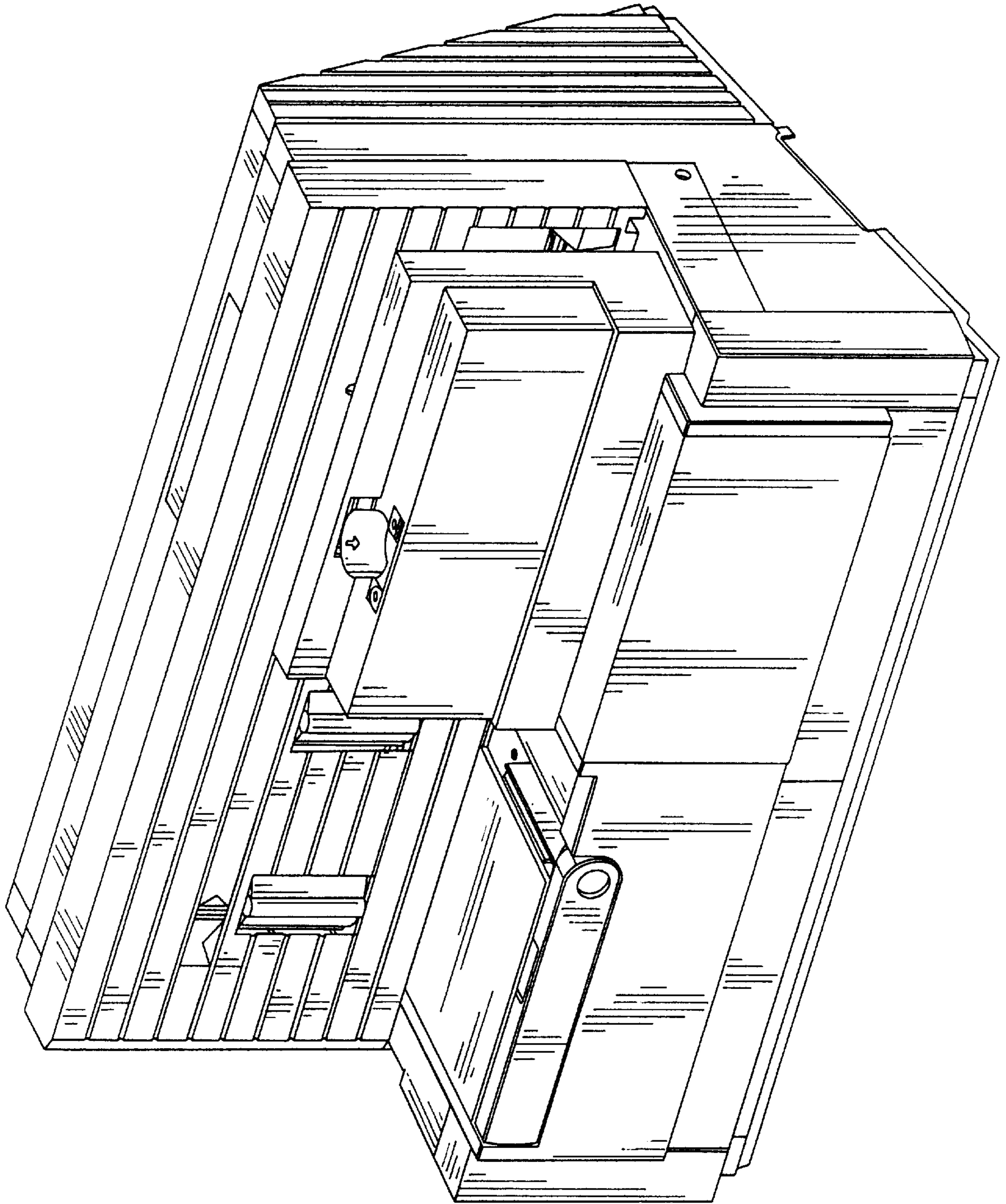


Fig. 48

Fig. 49

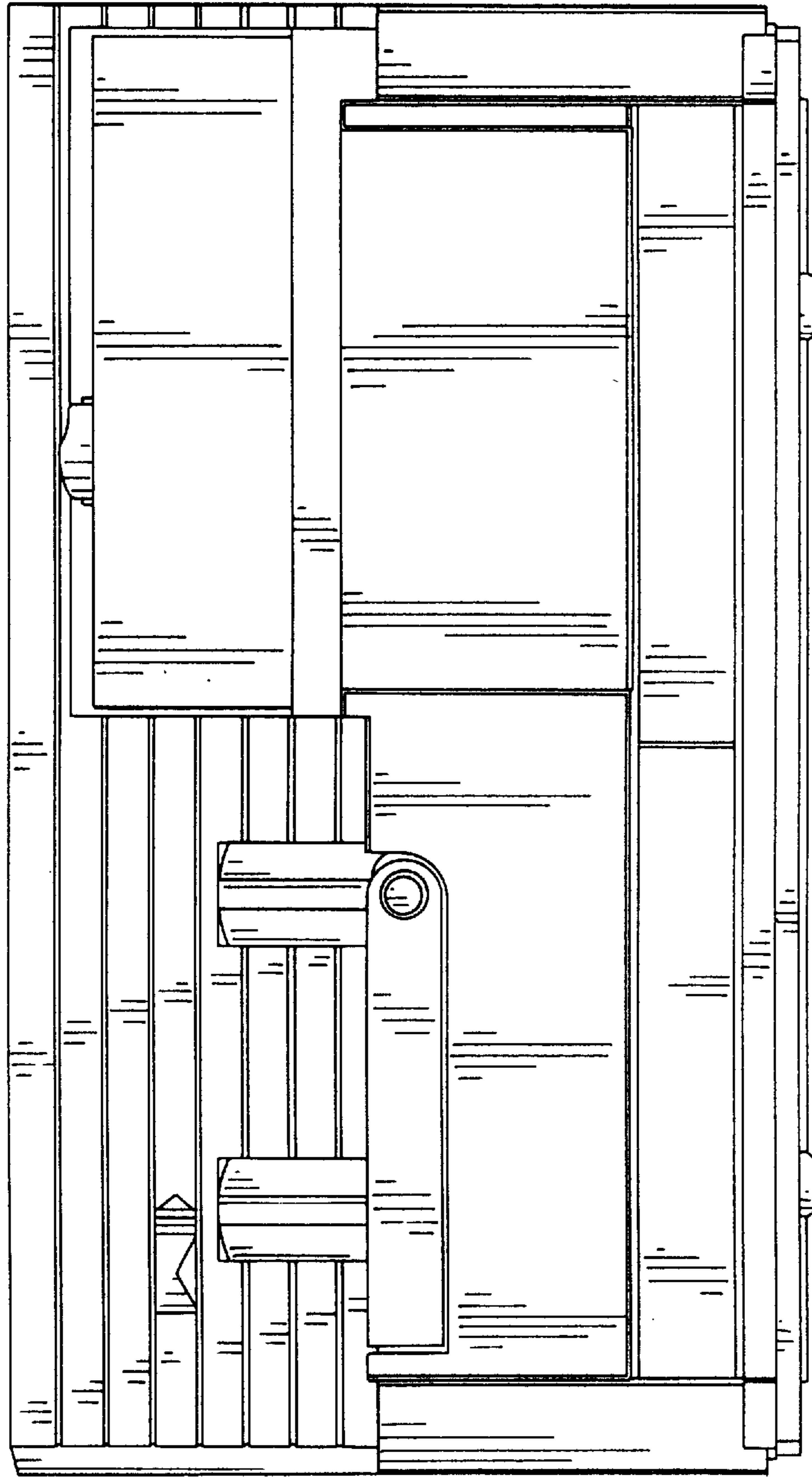
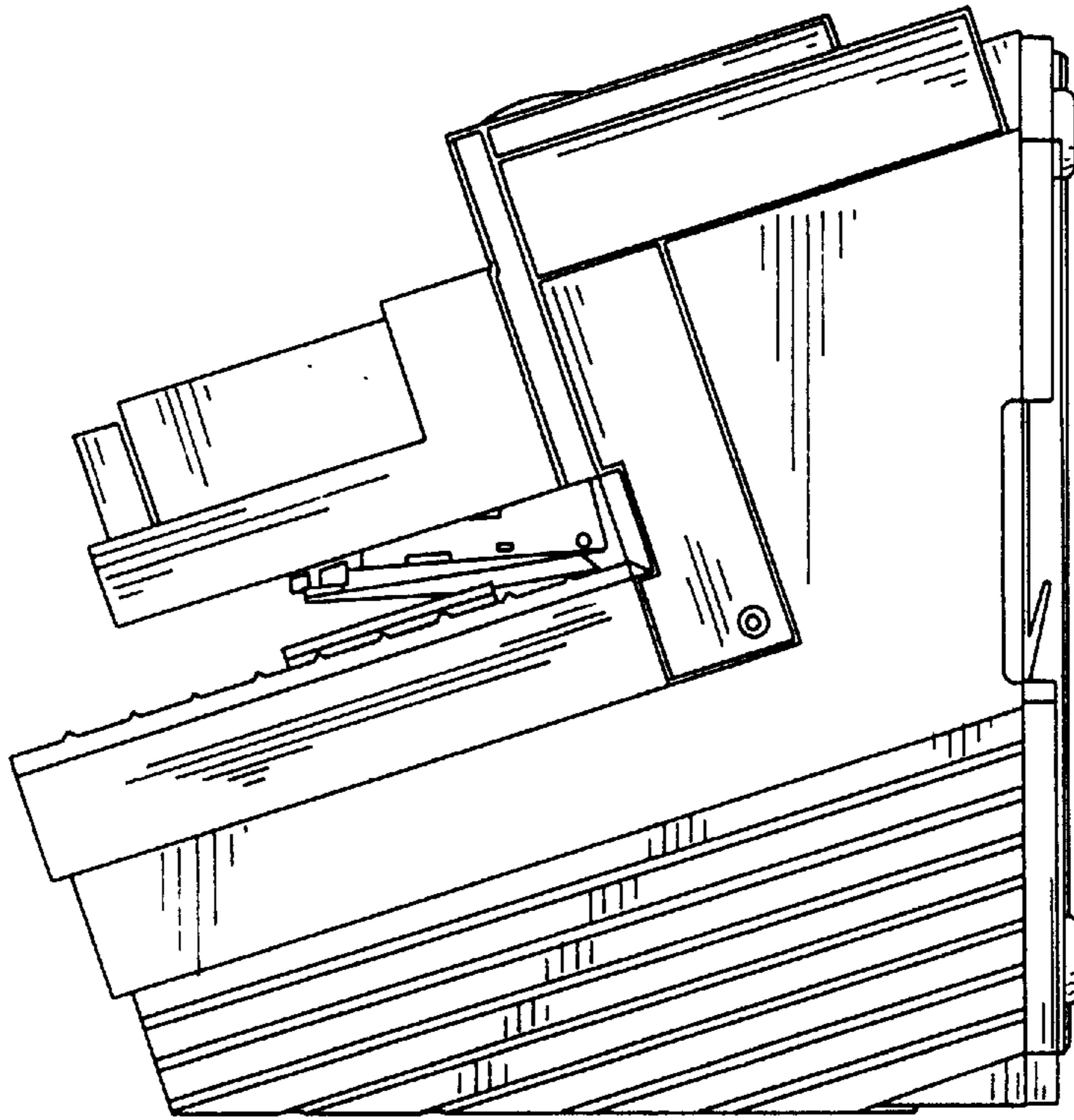


Fig. 50



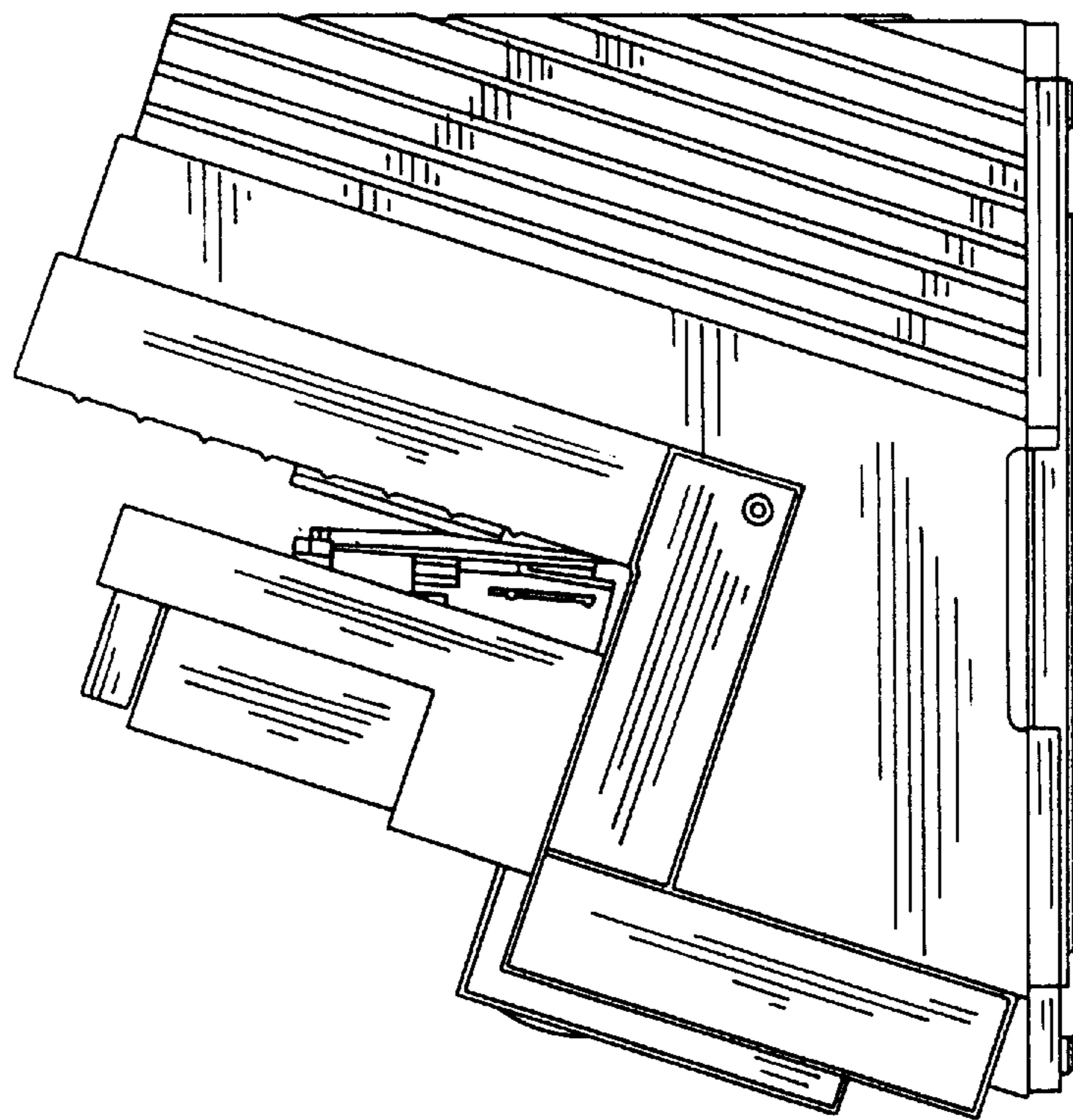


Fig. 51

Fig. 52

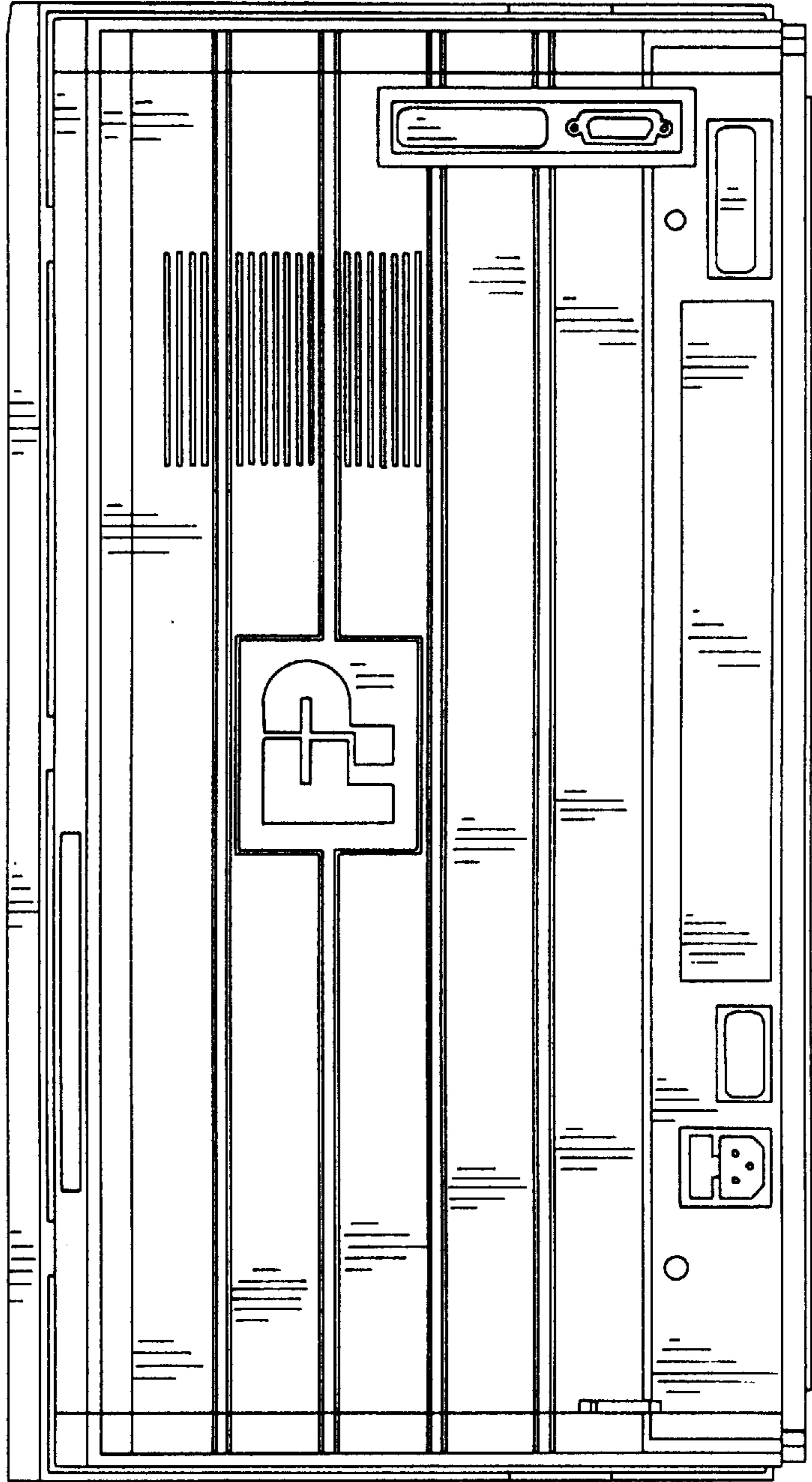


Fig. 53

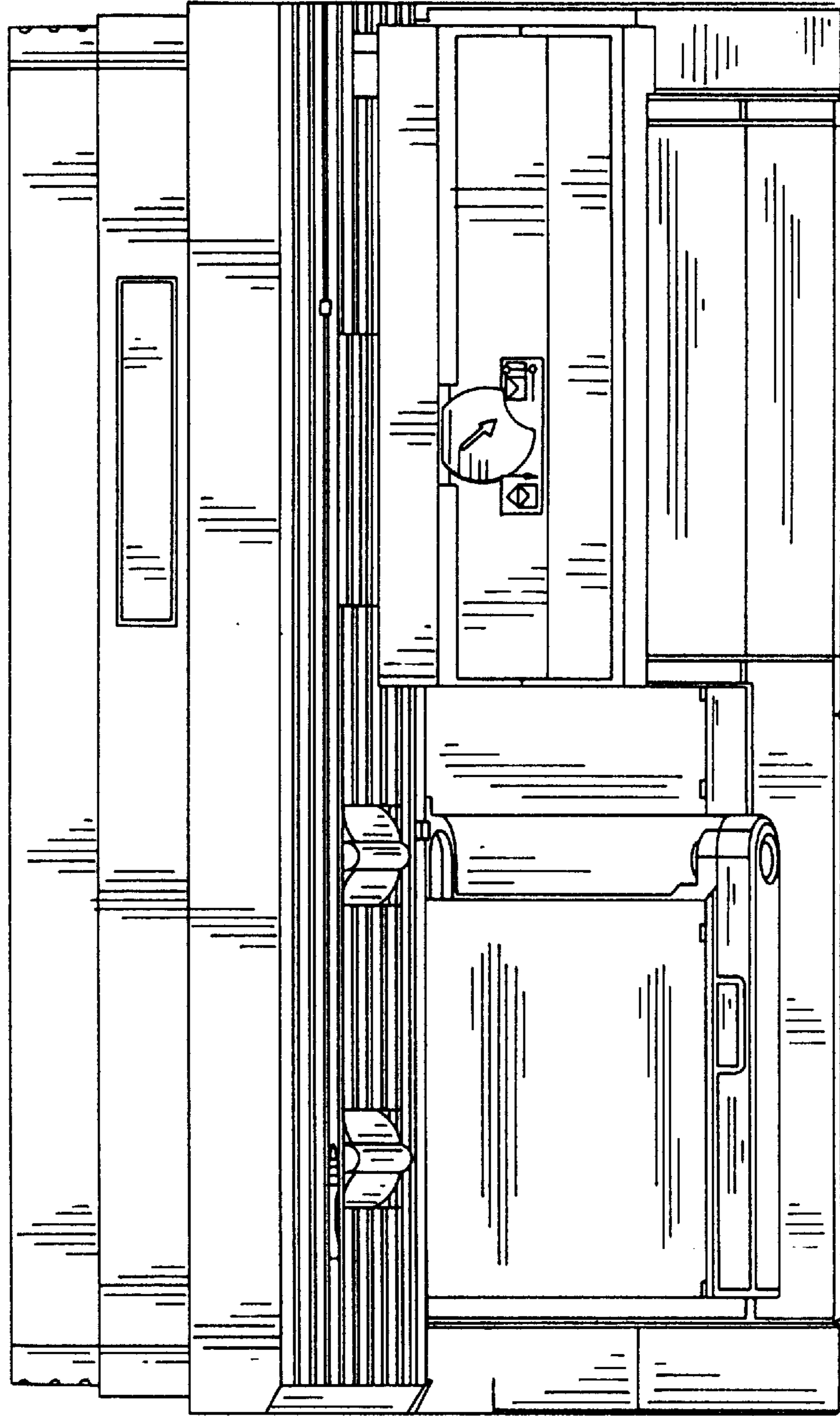
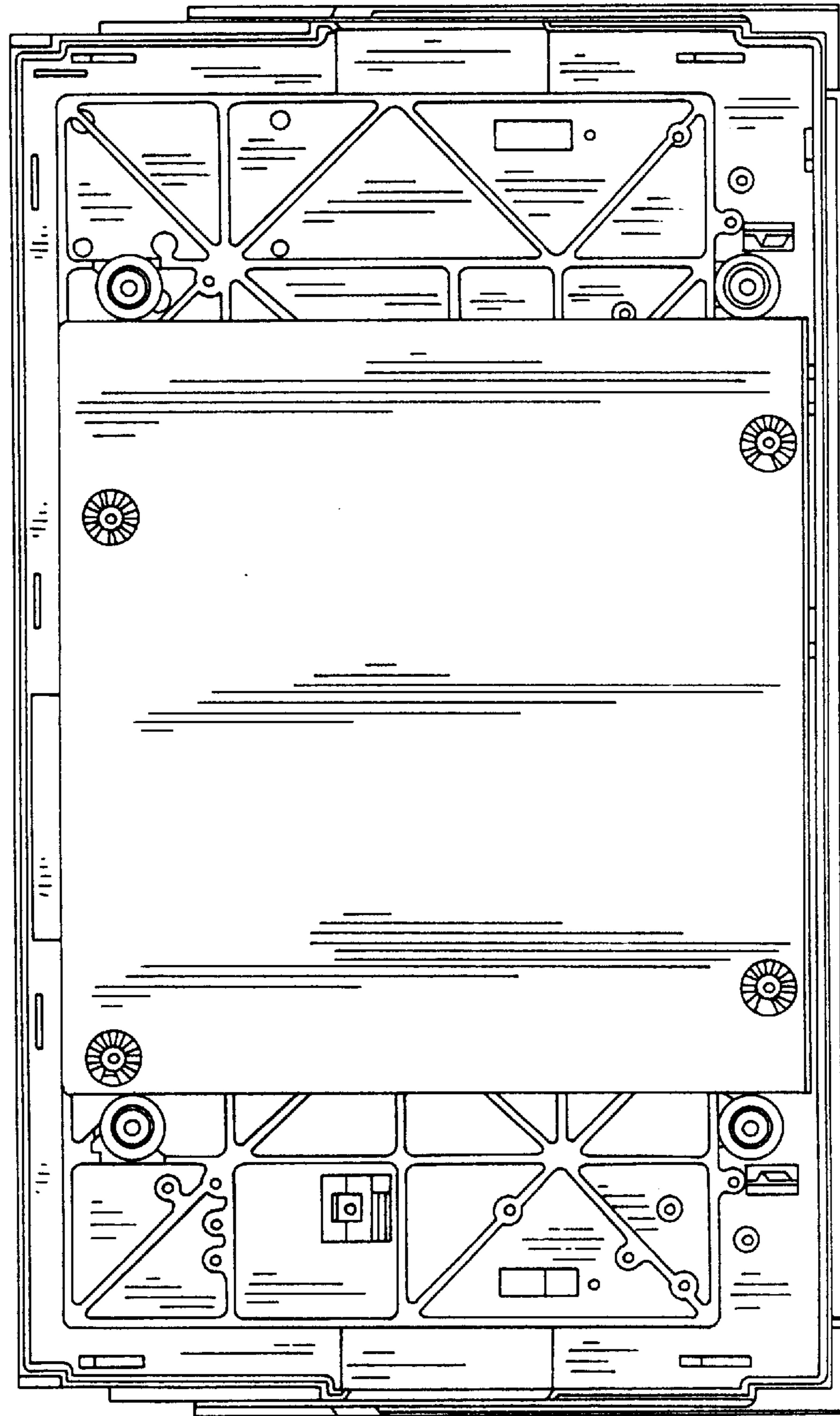


Fig. 54



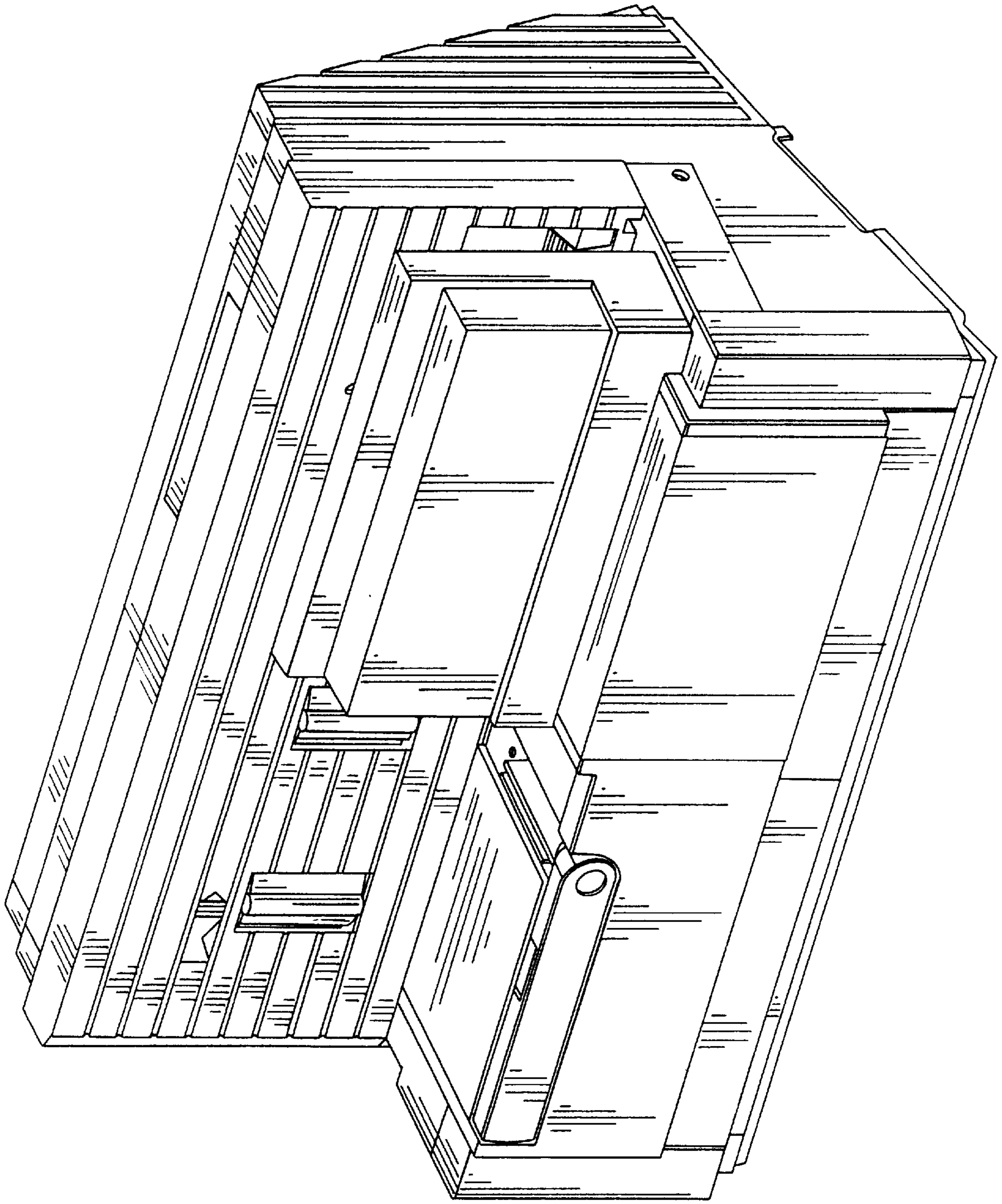
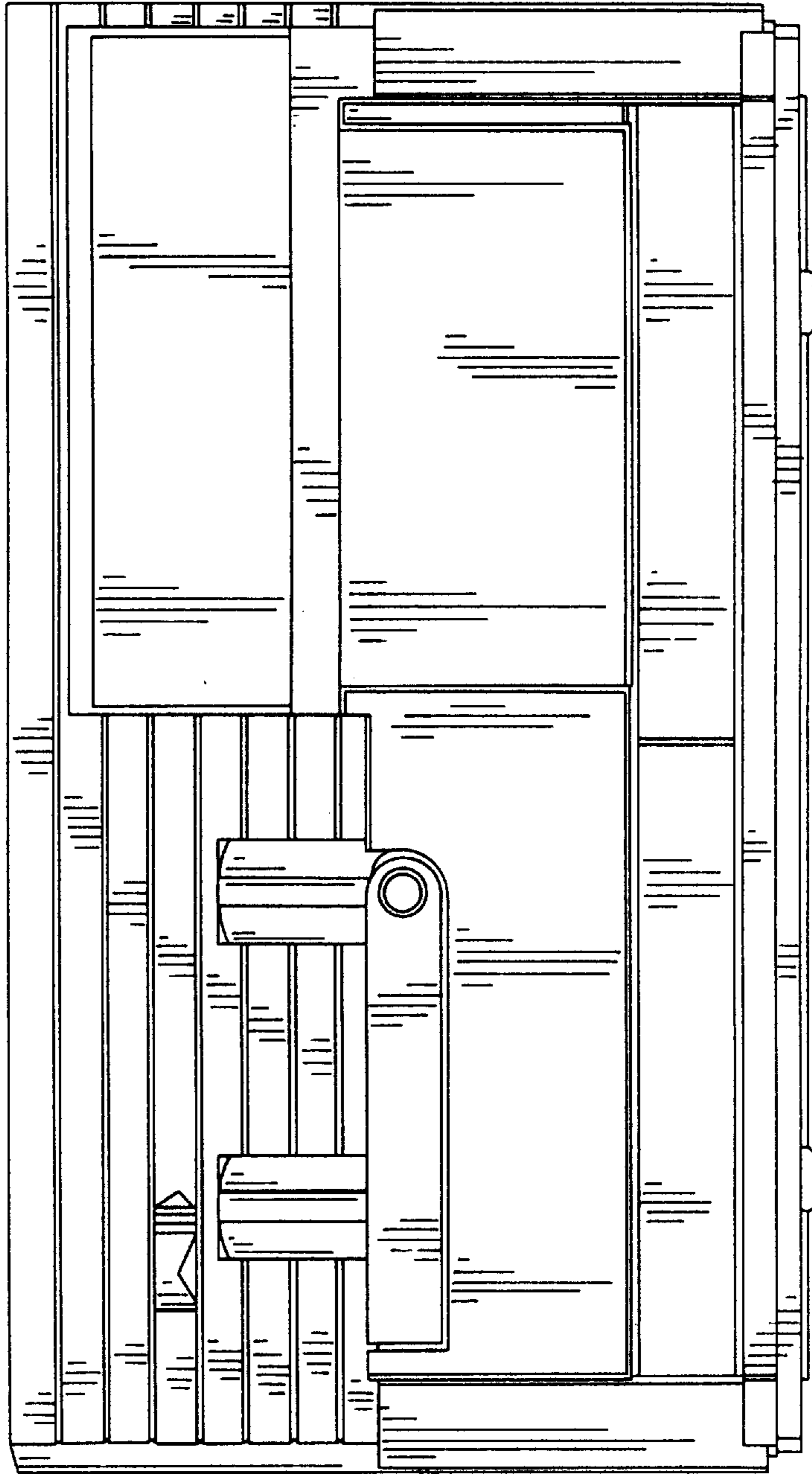


Fig. 55

Fig. 56



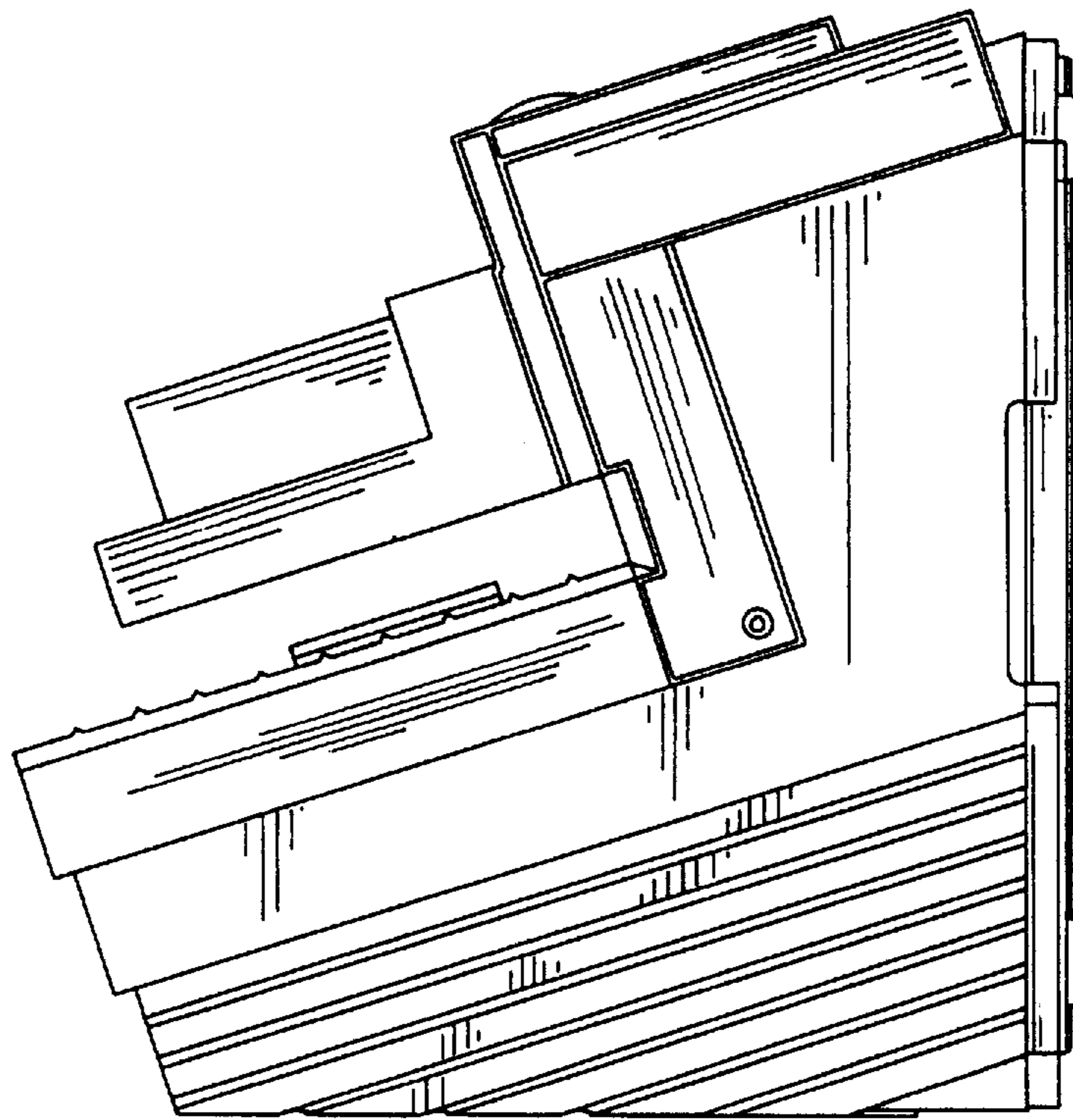


Fig. 57

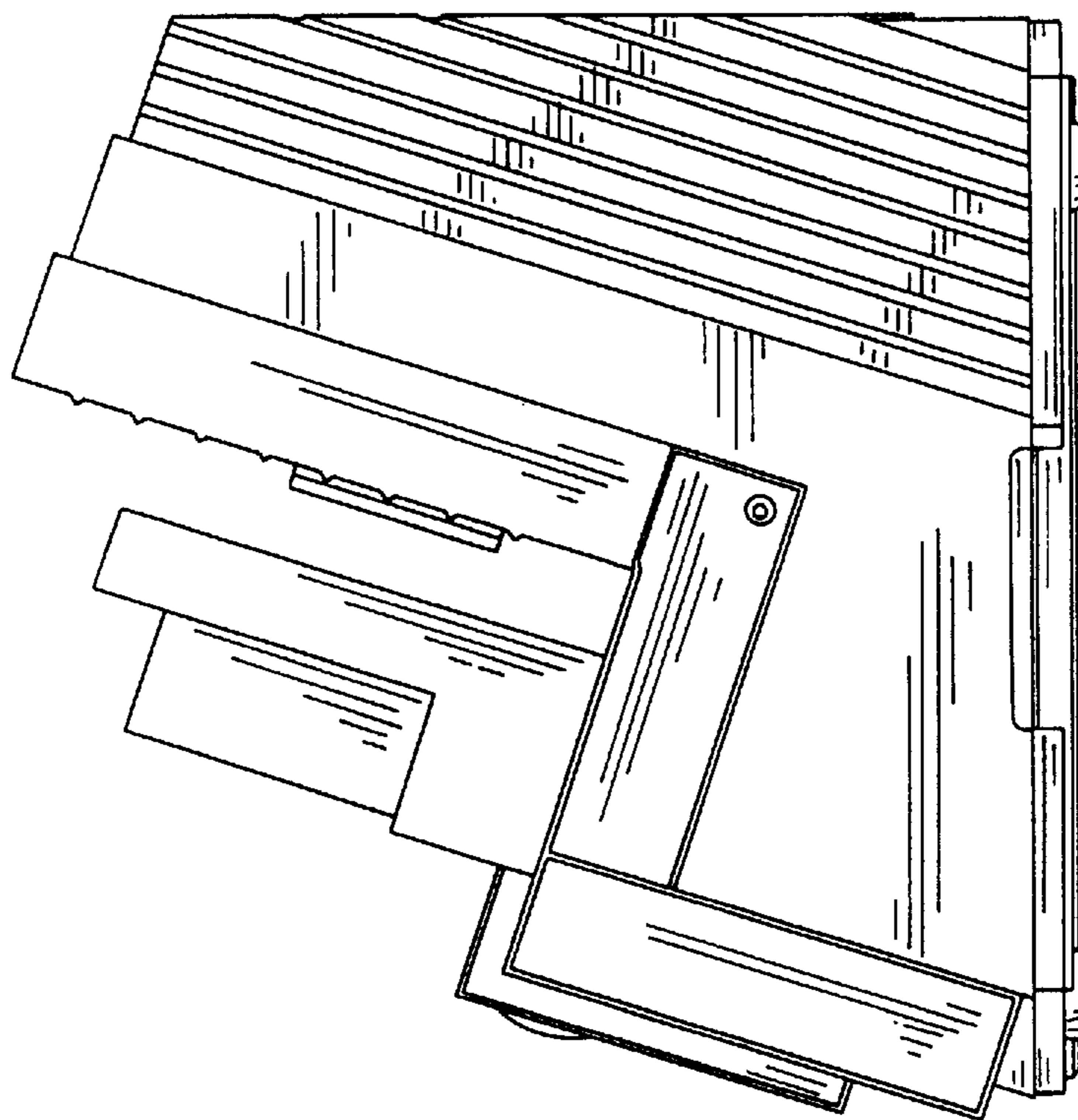


Fig. 58

Fig. 59

