



US00D398333S

United States Patent [19]
Coveley

[11] **Patent Number: Des. 398,333**

[45] **Date of Patent: **Sep. 15, 1998**

[54] **HAND-HELD TERMINAL**

[75] Inventor: **Michael Coveley**, Thornhill, Canada

[73] Assignee: **Omega Digital Data, Inc.**, Concord, Canada

[**] Term: **14 Years**

[21] Appl. No.: **55,458**

[22] Filed: **Jun. 5, 1996**

D. 348,896 7/1994 Kumar et al. D18/4
D. 350,119 8/1994 Kumar et al. D14/116 X
5,123,064 6/1992 Hacker et al. D14/100 X

Primary Examiner—Caron D. Veynar
Attorney, Agent, or Firm—Law Office of Victor E. Libert;
Victor E. Libert

Related U.S. Application Data

[62] Division of Ser. No. 45,291, Oct. 16, 1995, Pat. No. Des. 384,095.

[30] **Foreign Application Priority Data**

May 4, 1995 [CA] Canada 1995-0959

[51] **LOC (6) Cl.** **18-01**

[52] **U.S. Cl.** **D18/4; D14/105**

[58] **Field of Search** D18/4, 7, 14, 19;
D14/100, 105, 116; 235/379-383, 454,
462, 472; 341/22, 23; 345/87, 156, 168,
169, 172, 173; 364/706-710

[56] **References Cited**

U.S. PATENT DOCUMENTS

D. 292,709 11/1987 Kosako D18/2 X

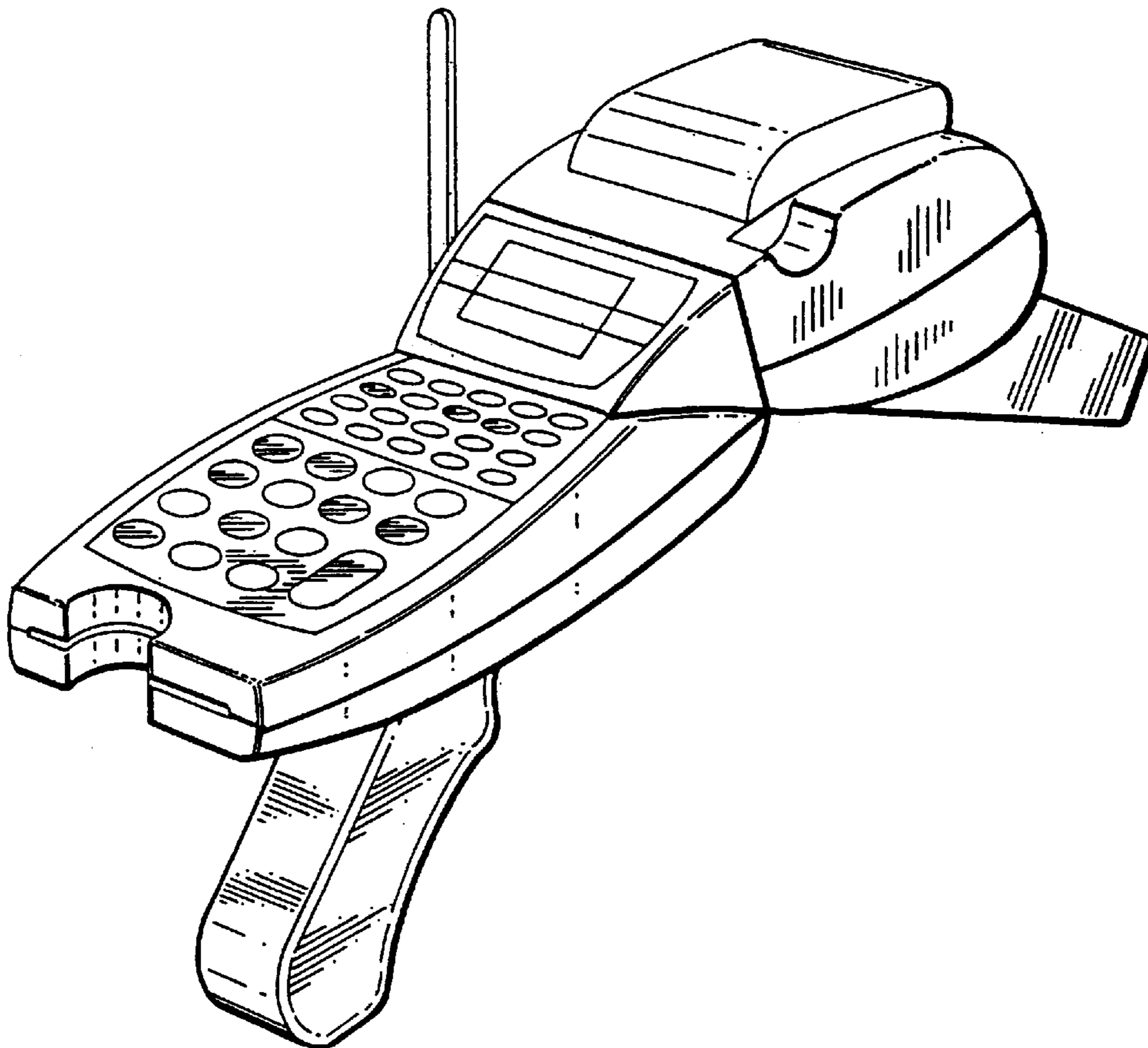
[57] **CLAIM**

The ornamental design for a hand-held terminal, as shown and described.

DESCRIPTION

FIG. 1 is a right side elevational view of a hand-held terminal showing my new design;
FIG. 2 is a top plan view thereof;
FIG. 3 is a left side elevational view thereof;
FIG. 4 is a bottom plan view thereof;
FIG. 5 is a rear elevational view thereof;
FIG. 6 is a front elevational view thereof;
FIG. 7 is a right side elevational view of a second embodiment of a hand-held terminal showing my new design, the second embodiment being identical to the first embodiment except for the absence of the handle; and,
FIG. 8 is a perspective view thereof.

1 Claim, 5 Drawing Sheets



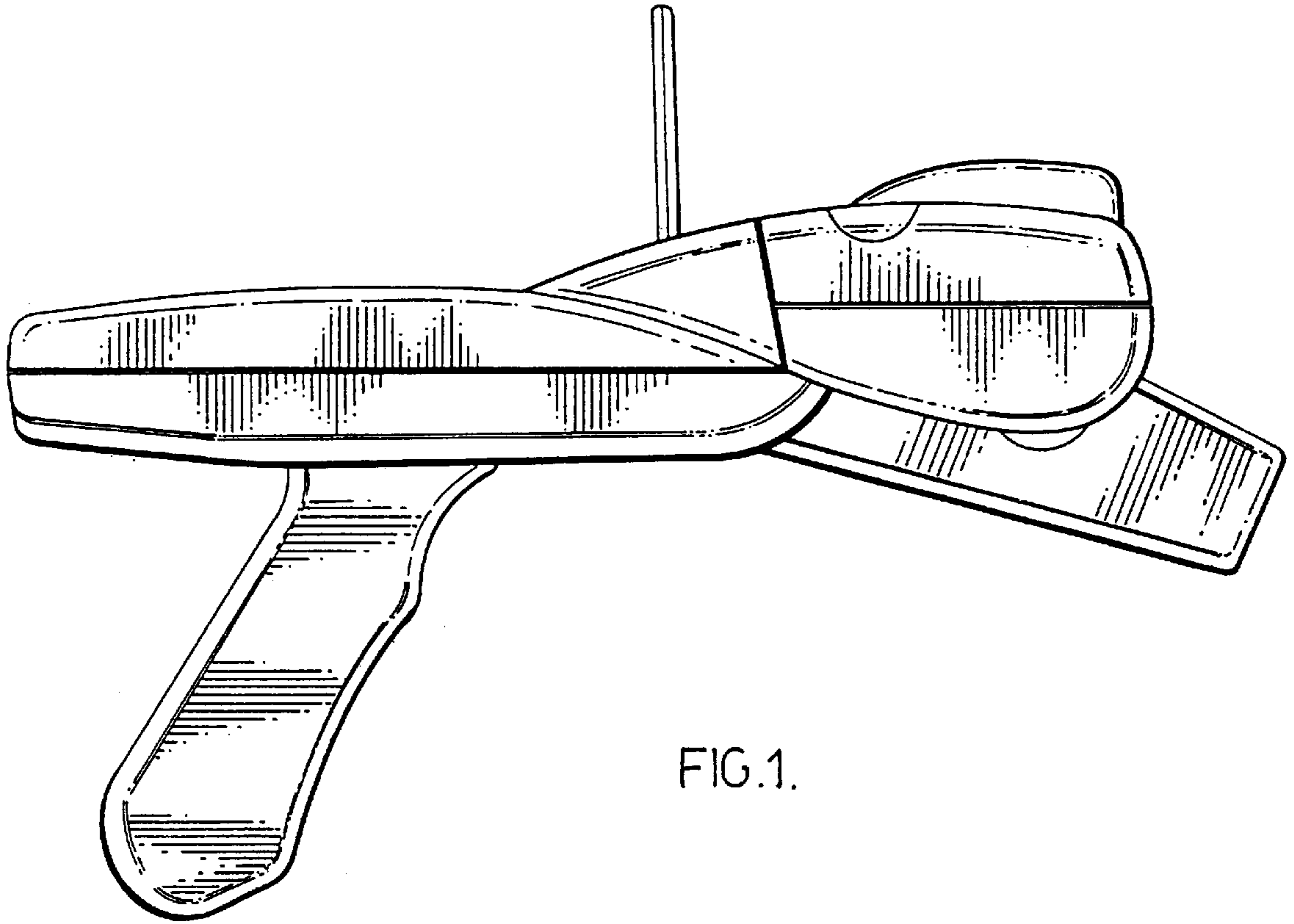
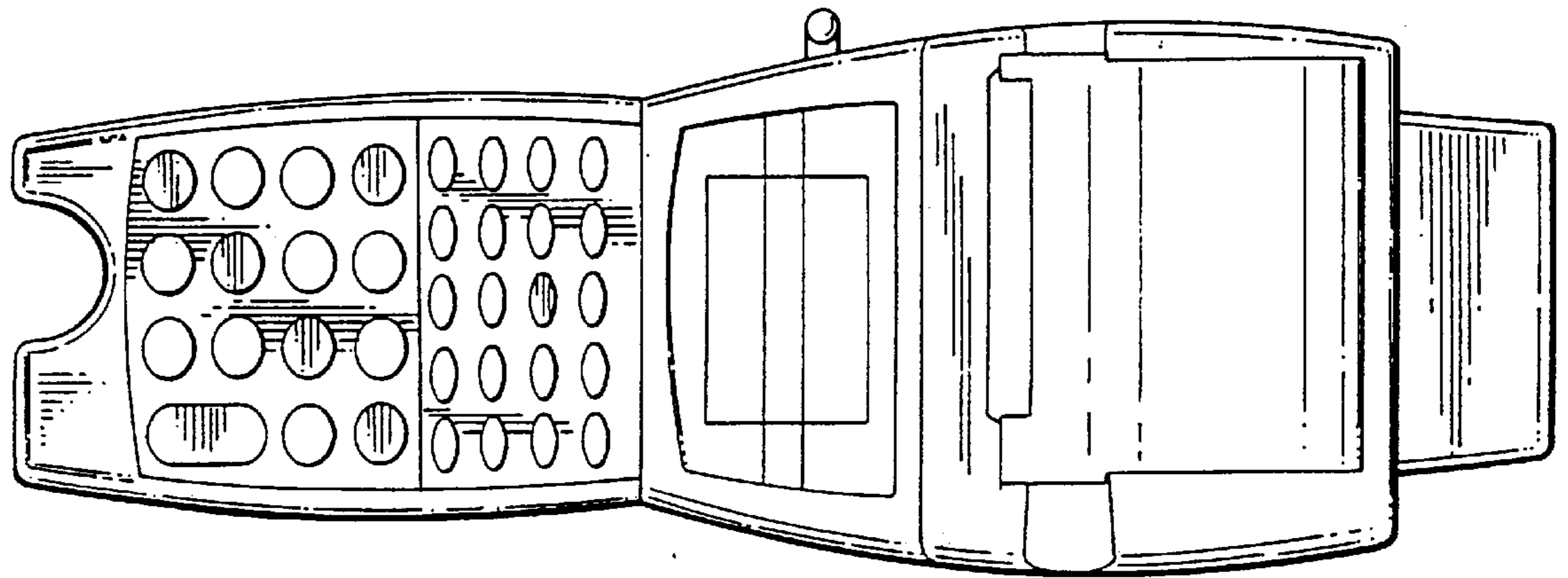


FIG. 1.

FIG. 2.



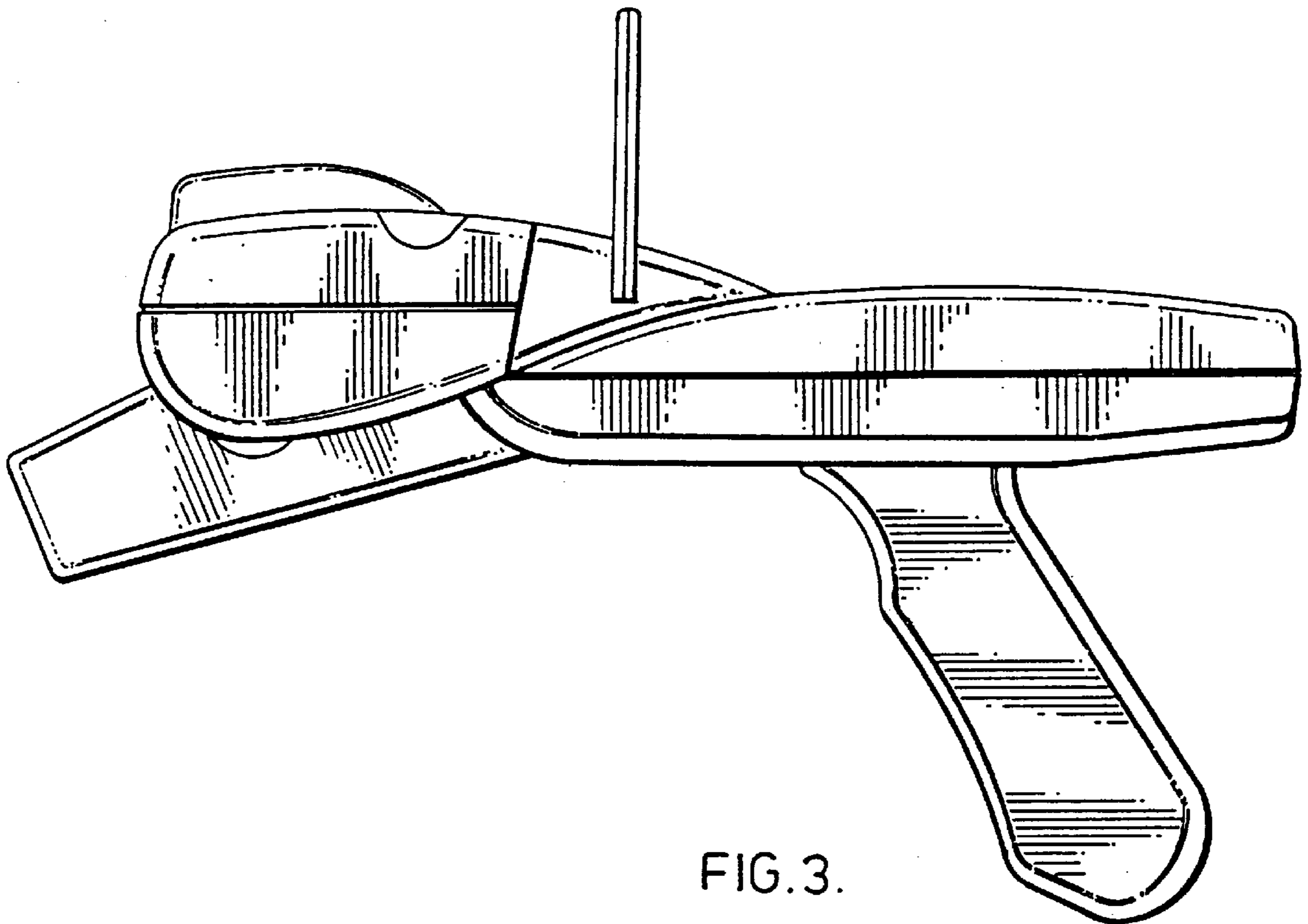


FIG. 3.

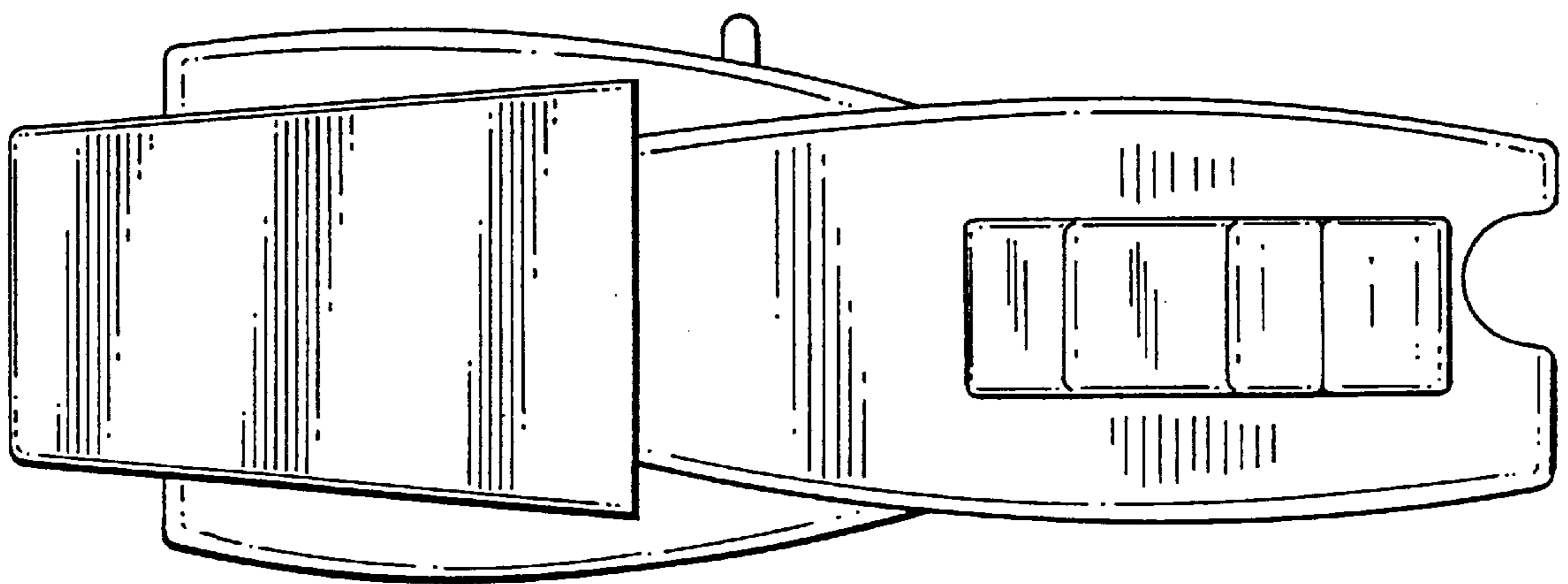


FIG. 4.

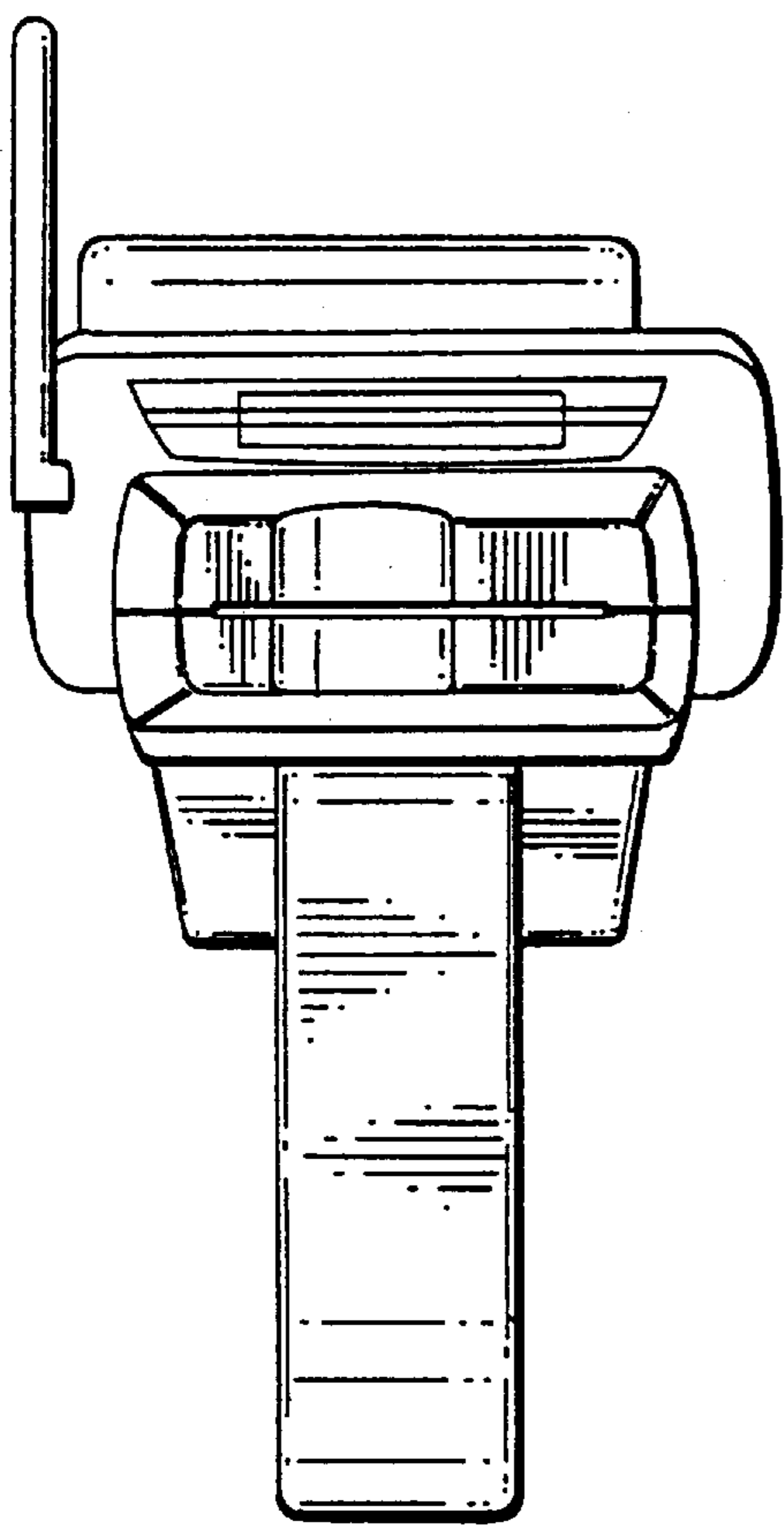


FIG. 5.

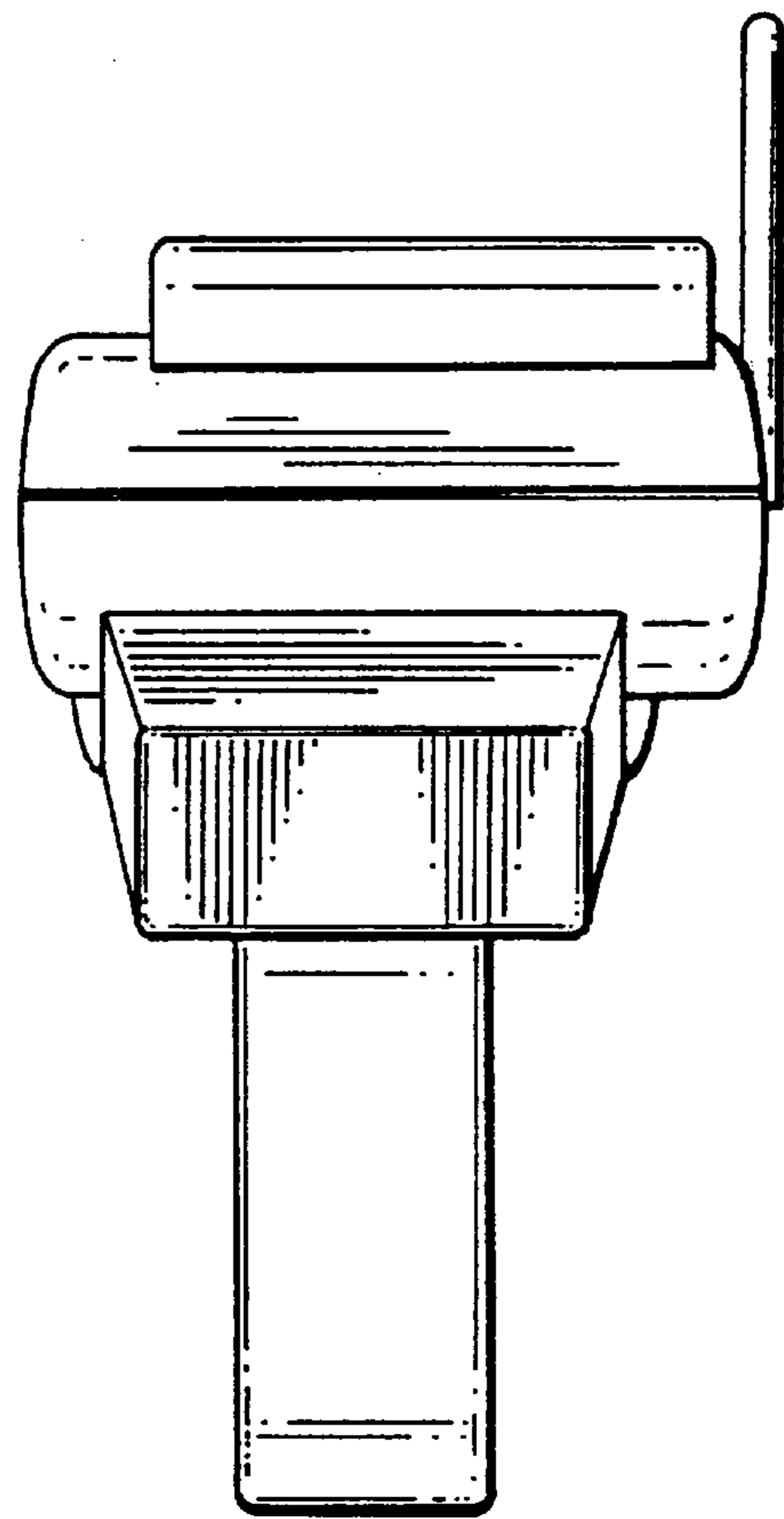


FIG. 6.

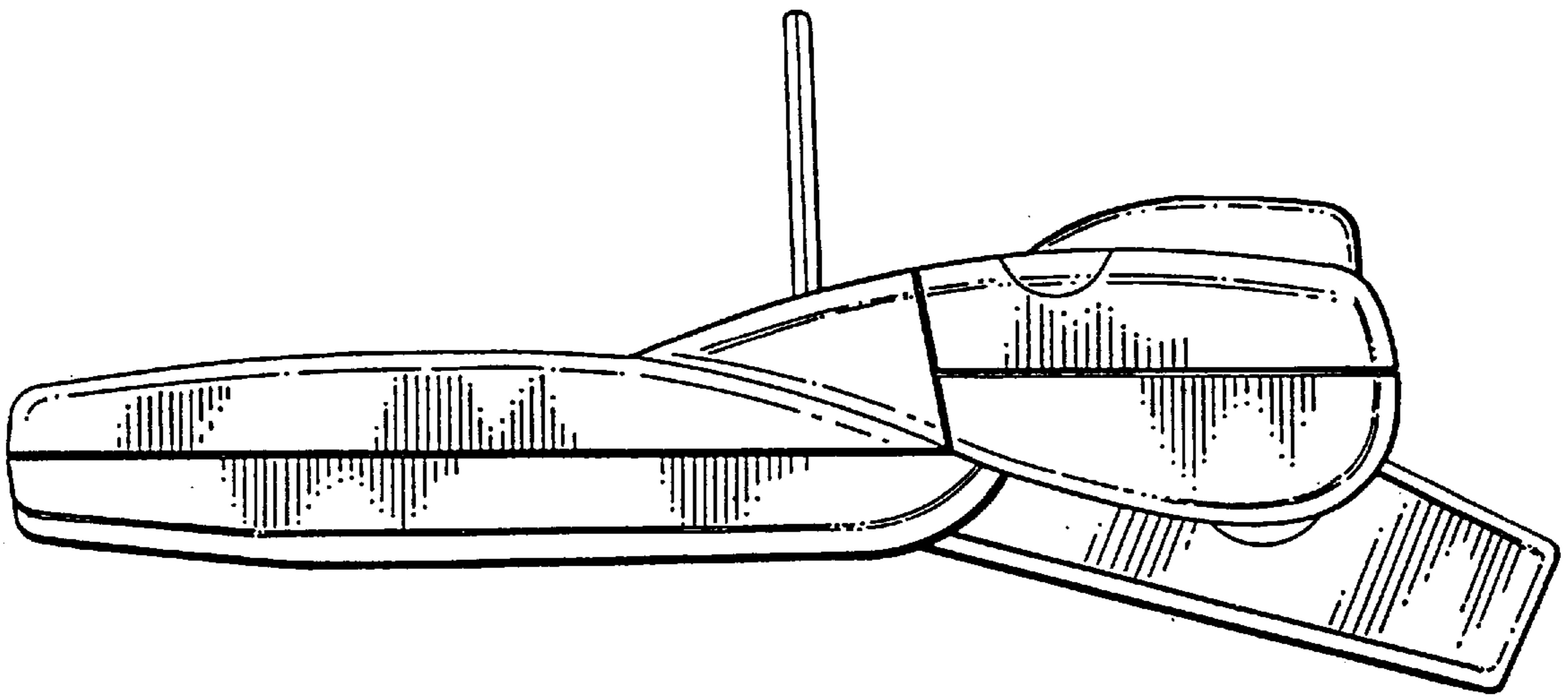


FIG. 7.

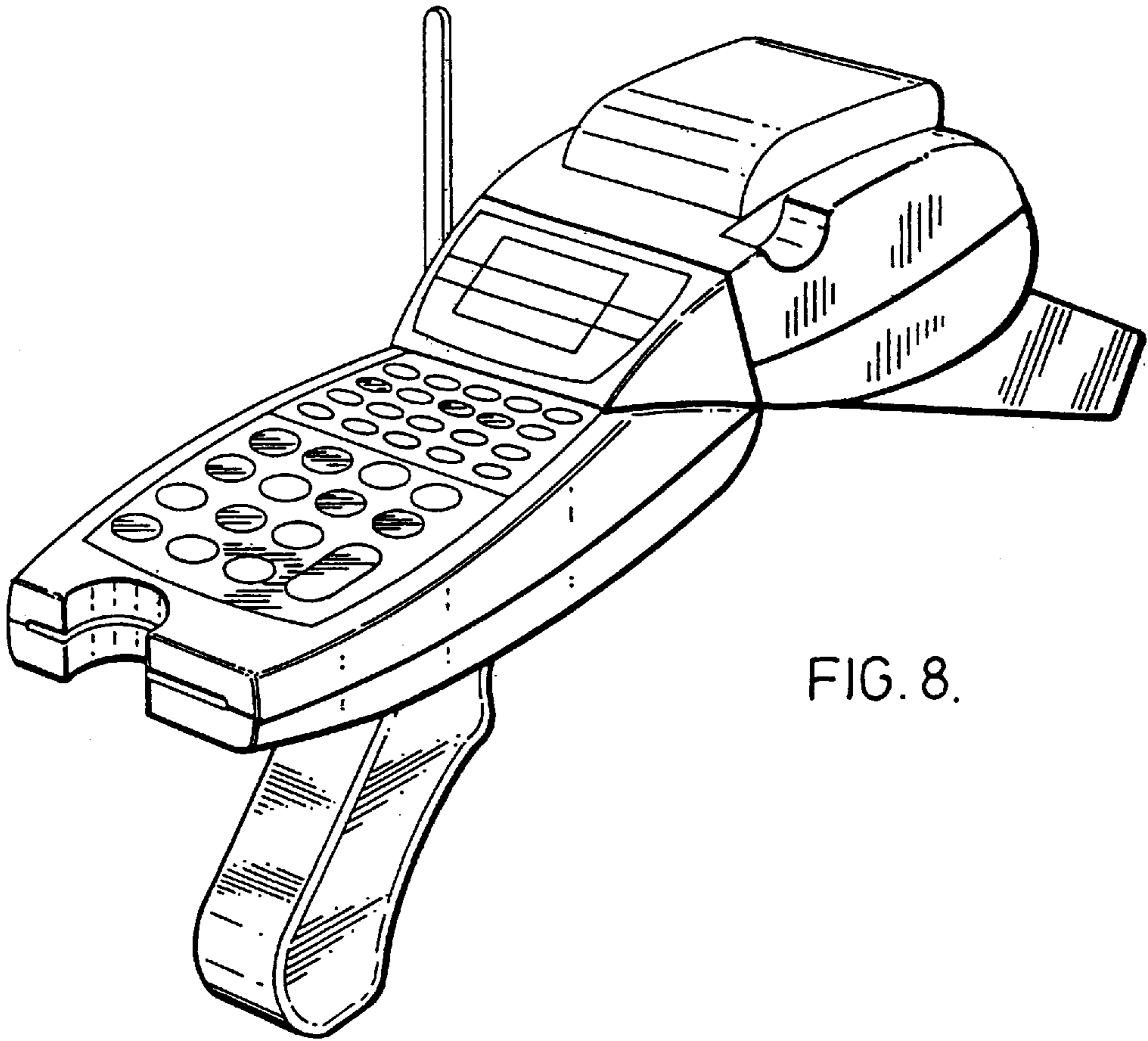


FIG. 8.